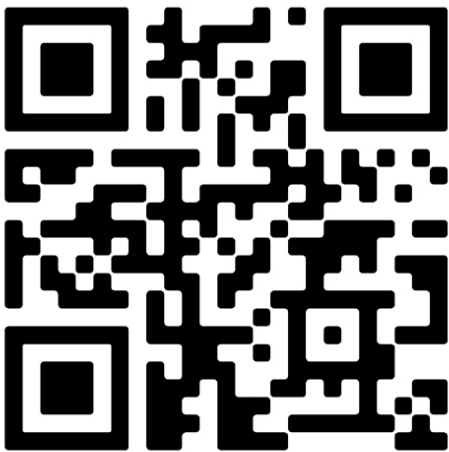

KEPSUUL

CUSTOMIZABLE MODULAR SHELVING AND STORAGE

Contents

Safety & Care	02
Installation Precautions.....	02
Components.....	04
Common Assembly Steps.....	05
2 Shelf Module	08
4 Shelf Module	10
Slim 5 Shelf Module	12
Clothing Rack with Shelves	14
Door Installation	17
Hanger Installation	22
Panel Installation	23
Mesh Board Installation	25
Module Expansion and Separation.....	27
Configuration Options.....	28



- Read this Installation Guide carefully before assembling or disassembling the product. Manual is also available on *kepsuul.com* for download if needed for future use.
- Follow the QR Code, by scanning the code on your camera, to view video tutorials and Kepsuul tips.
- See the Configuration Options at the end of the guide for ideas on combining modules into different configurations.

Scan QR Code for "How To" Video
Tutorials or to visit <https://kepsuul.com>

Safety & Care

Read these precautions before assembly to ensure your safety and to prevent damage to the product.

- Wear gloves during assembly or disassembly.
- Do not press against protrusions or edges as doing so may cause injury.
- Do not apply excessive force to the product.
- Do not climb or hang on the product.
- Do not exceed the maximum load capacity of 250 lbs per shelf. Ensure that objects on shelves are evenly distributed to maintain balance.
- Use a soft, dry cloth to clean regularly. Wipe spills immediately and completely with a dry towel.
- Keep the product in a dry and well-ventilated place. Exposure to humidity over a long period may cause shelf boards to bend or twist.
- Do not keep the product in a high temperature environment or near heat sources.
- The warranty does not cover damage caused by misuse or negligence.

Installation Precautions

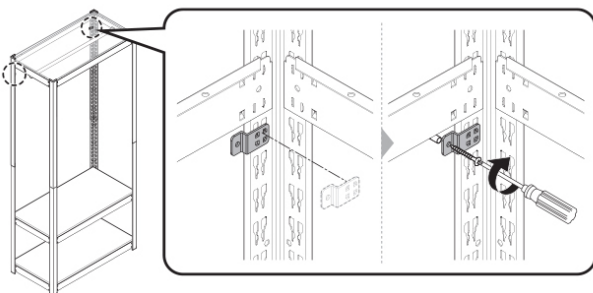
• Required tools

All necessary tools included in box. Installing certain parts may be difficult without the provided assembly hammer (included in the box).

• Securing the rack to the wall

To prevent the rack from falling forward, secure it to the wall with the wall mounting brackets in each box.

Instructions: Insert the brackets into the post and secure with screws.

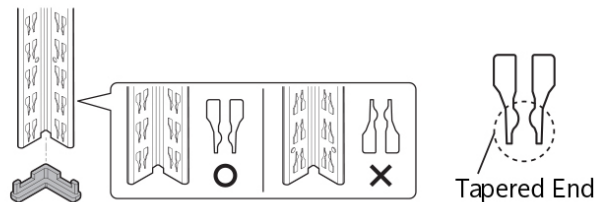


• Relocating furniture

Make sure support beams are secured to posts before attempting to lift and move furniture.

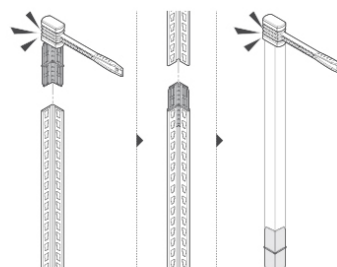
• Post Assembly

When standing posts up, make sure that the holes taper downwards to resemble the shape of a "T".



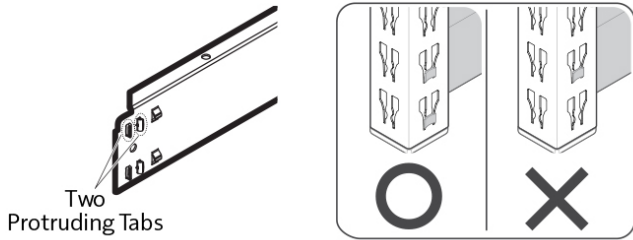
There are two different lengths of posts. The longer posts are used to construct the base of the furniture. The shorter posts are stacked on top of the longer ones.

If planning to stack an additional post to the current one, insert a post connector to the current post before installing any support beams.

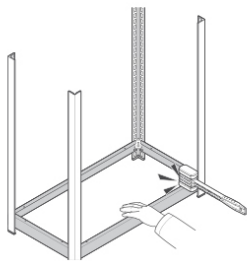


• **Support beam assembly**

Support beams have 2 protruding tabs located on the back of each end. Make sure all tabs are flush against the post and securely pushed down into the narrower section of the post holes. Failure to do so may put stress on the beam and/or cause it to tilt.



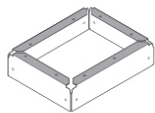
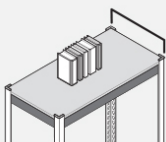
When connecting one end of a support beam, tightly hold its center with one hand to secure it during installation.



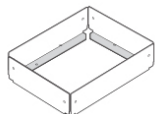
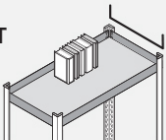
Designer Tip

Support beams can be installed in either direction, upward or downward, to create varying shelf types.

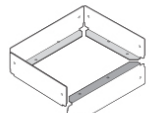
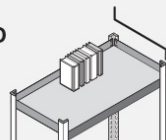
BASIC



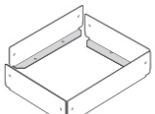
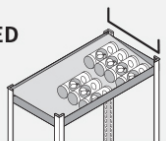
BASKET



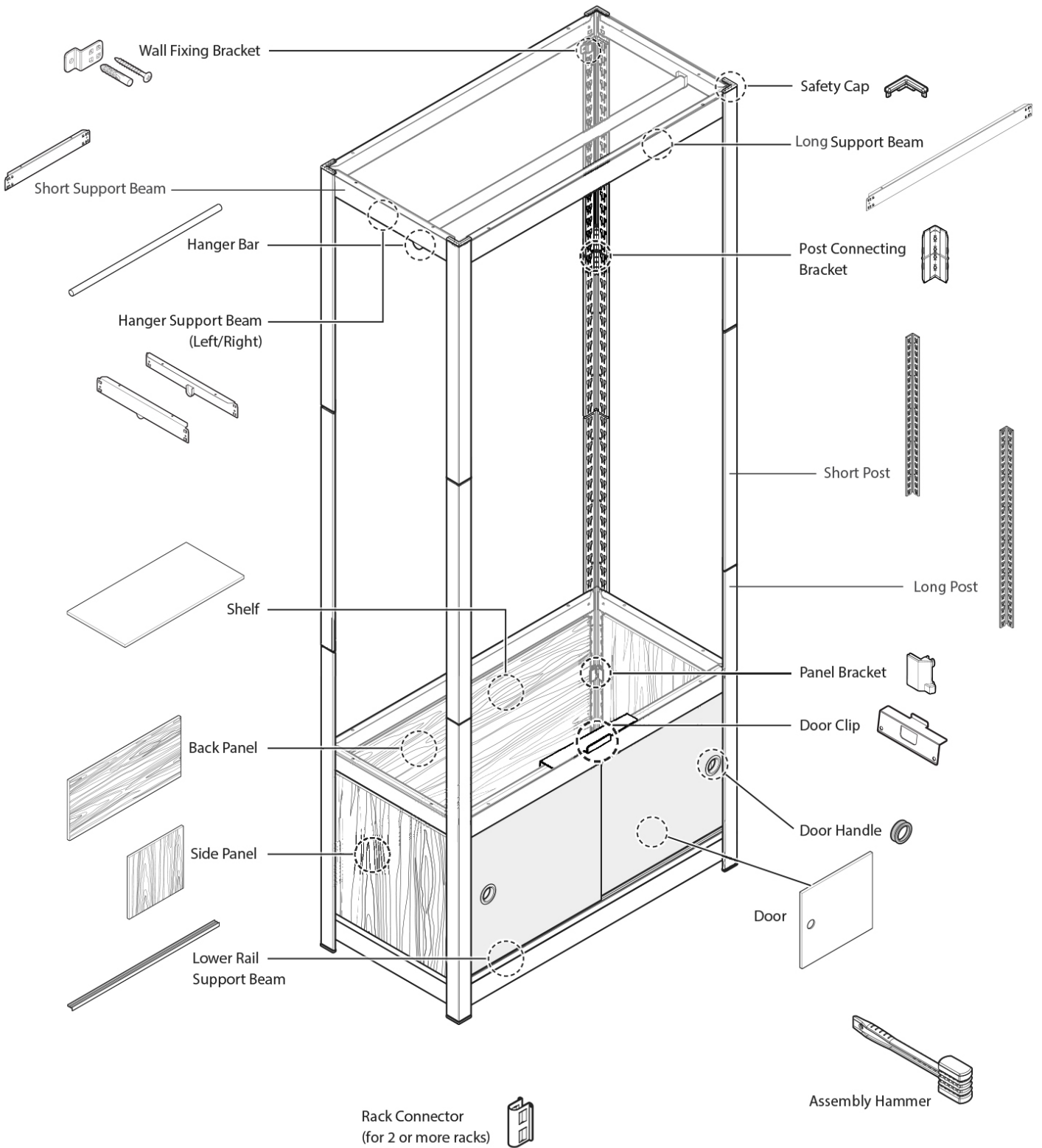
COMBO



SLANTED

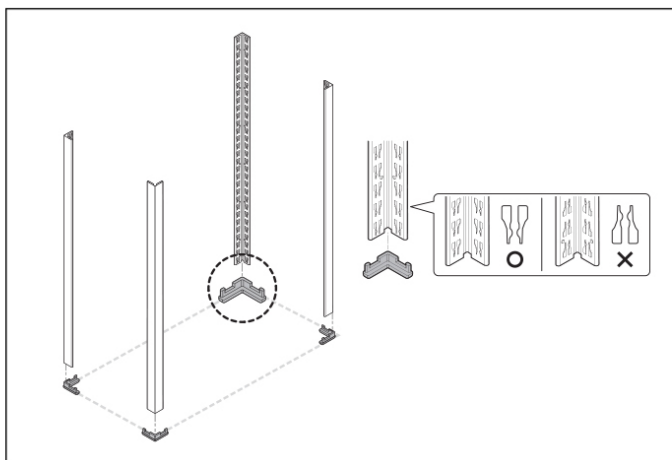


Components



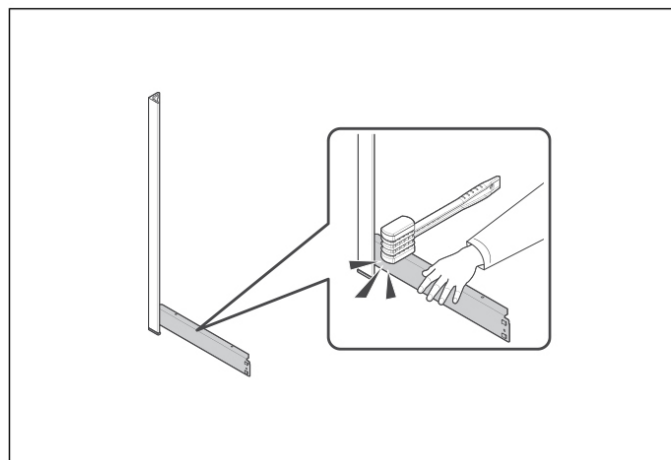
Common Assembly Steps

Review of Important assembly steps that apply to all Kepsuul modules.



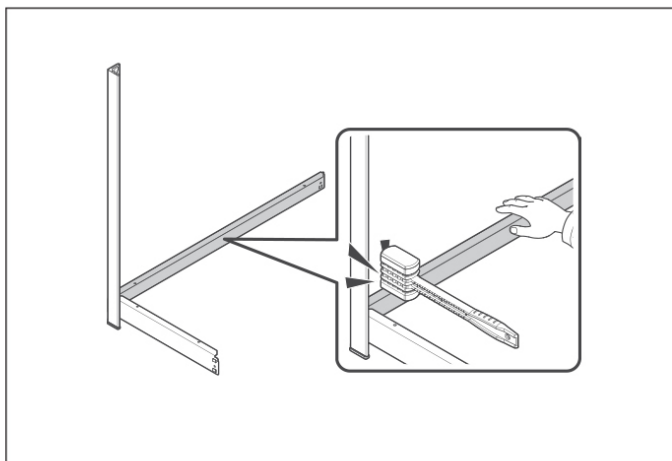
Step 1: Inserting rubber safety caps

- Insert rubber safety caps into bottoms of each post. The correct orientation of the post is when the post holes taper downwards to resemble the shape of a "T".



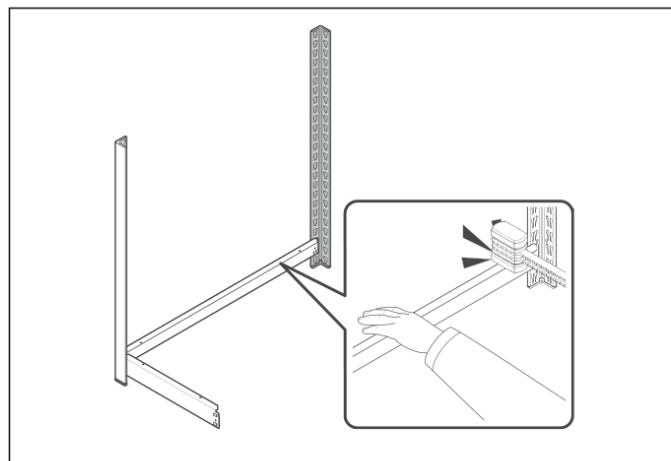
Step 2: Connecting first support beam to post

- Align support beam to post holes and push both tabs flush against the post and down the narrow section of the holes. See [page 3](#) for more details on connecting the beam to post.
- **Designer Tip:** To create a basket shelf, flip all four support beams so that they resemble the shape of an "L".



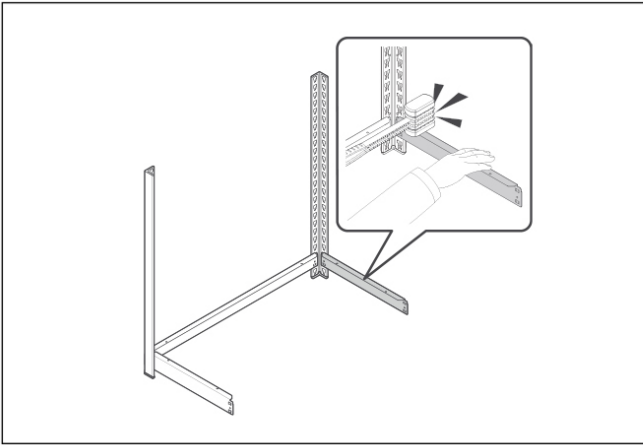
Step 3: Connecting second support beam to post

- If your module utilizes both the long and short support beams, it is recommended to attach the shorter support beam to the post first because it is lighter and easier to maneuver.
- **Designer Tip:** To create a basket shelf, flip all four support beams so that they resemble the shape of an "L".



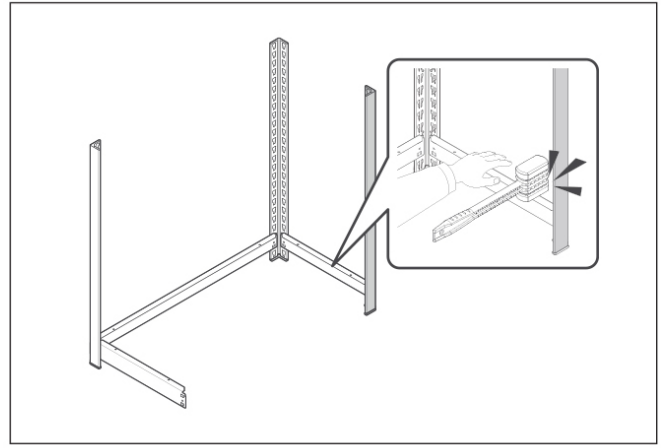
Step 4: Connecting second post to support beam

- Connect the second post to the support beam.
- For a flat shelf, make sure that the ends of all four support beams are attached to their respective posts at the **same hole level**. It is common for the support beams, especially the longer ones, to be misaligned due to one beam end being higher or lower than the opposite end.



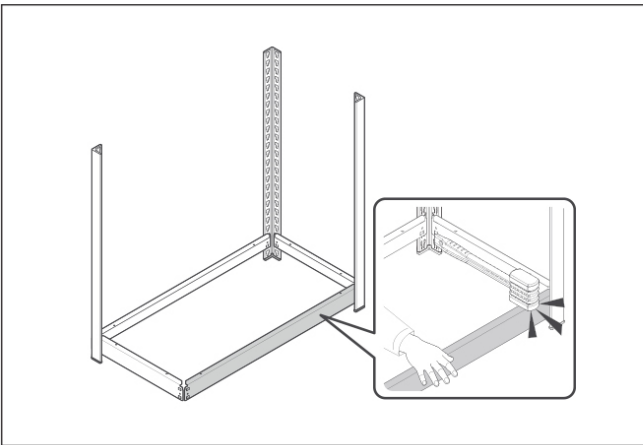
Step 5: Connecting third support beam to post

- Repeat Step 2.



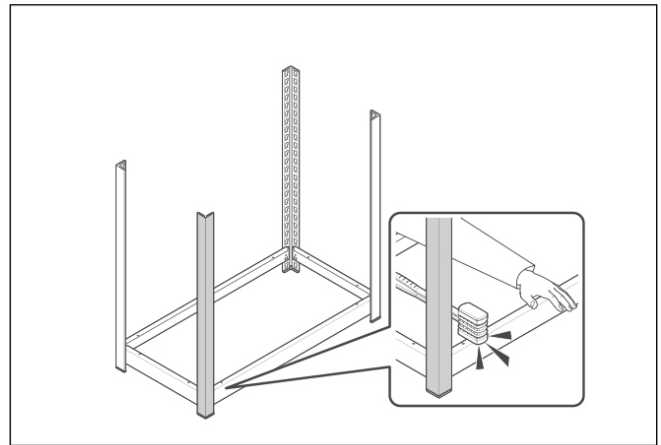
Step 6: Connecting third post to support beam

- Repeat Step 4.



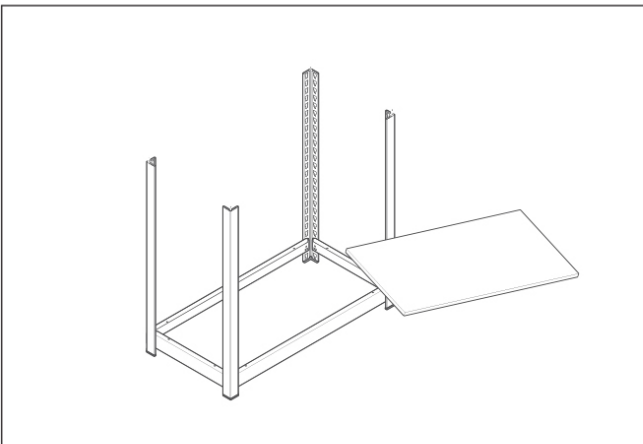
Step 7: Connecting last support beam to post

- Repeat Step 2.



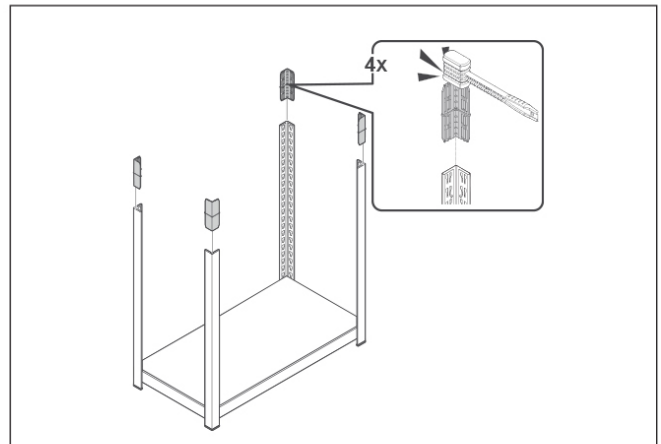
Step 8: Connecting last post to support beam

- Repeat Step 4.



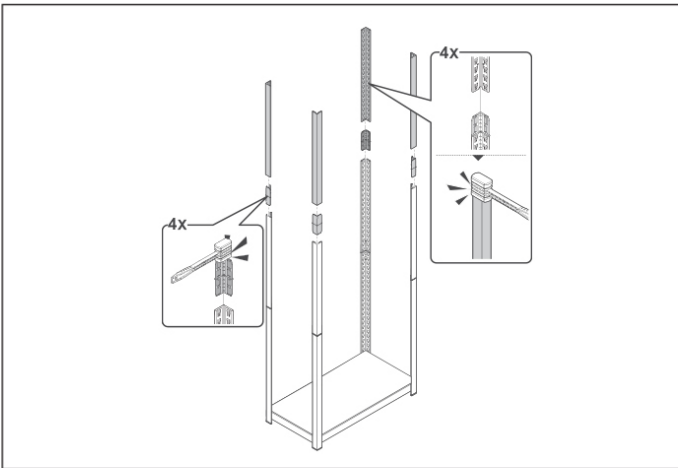
Step 9: Adding shelf plank

- Add shelf plank.



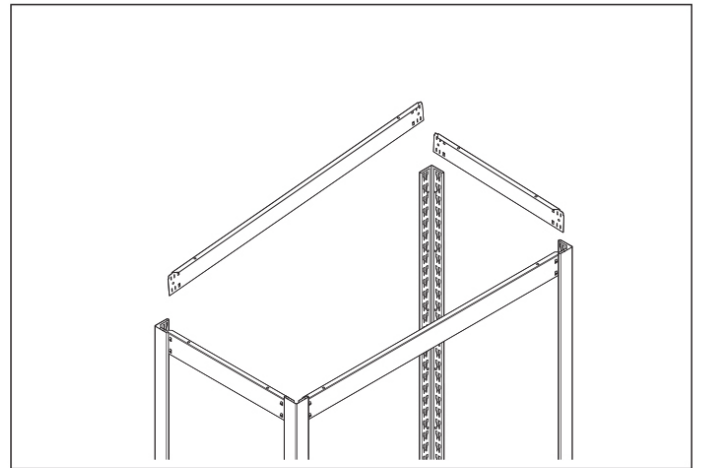
Step 10: Inserting post connecting bracket

- Skip to **STEP 12** if building a 2 SHELF MODULE.
- Insert post connecting bracket into the open top of each post.
- If the post connecting brackets don't go in, check to see if there are any support beams attached to the two topmost post holes. The tabs on the back of the beams may be obstructing the path of the post connecting bracket.



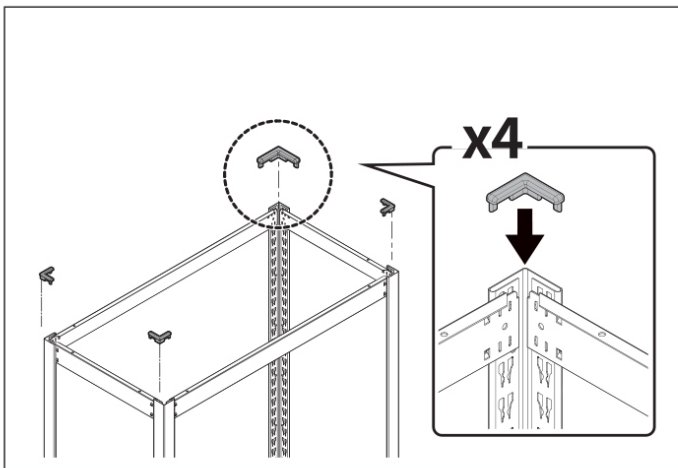
Step 11: Stacking additional posts

- Slide all four posts over the post connecting bracket. The post holes should be orientated to taper down to resemble the shape of a "T".



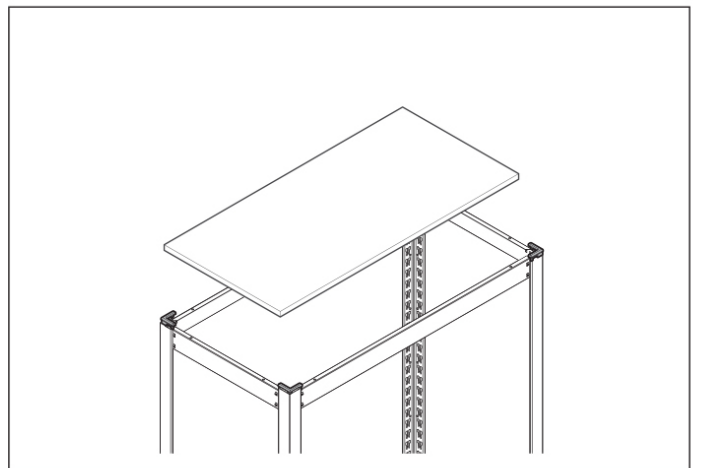
Step 12: Add final support beam tier

- Add final long and short support beam tiers.



Step 13: Final safety cap installation

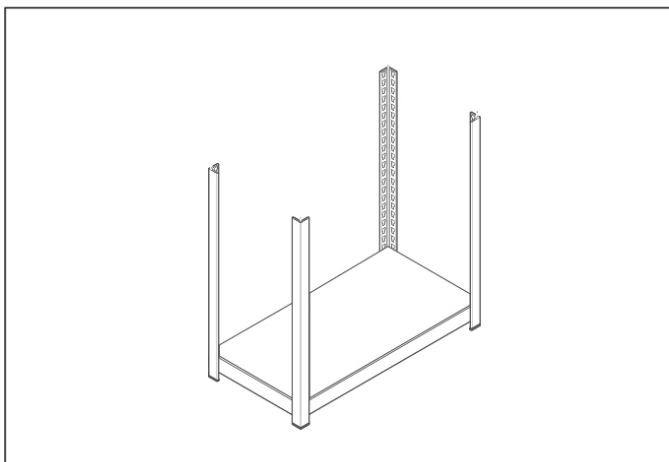
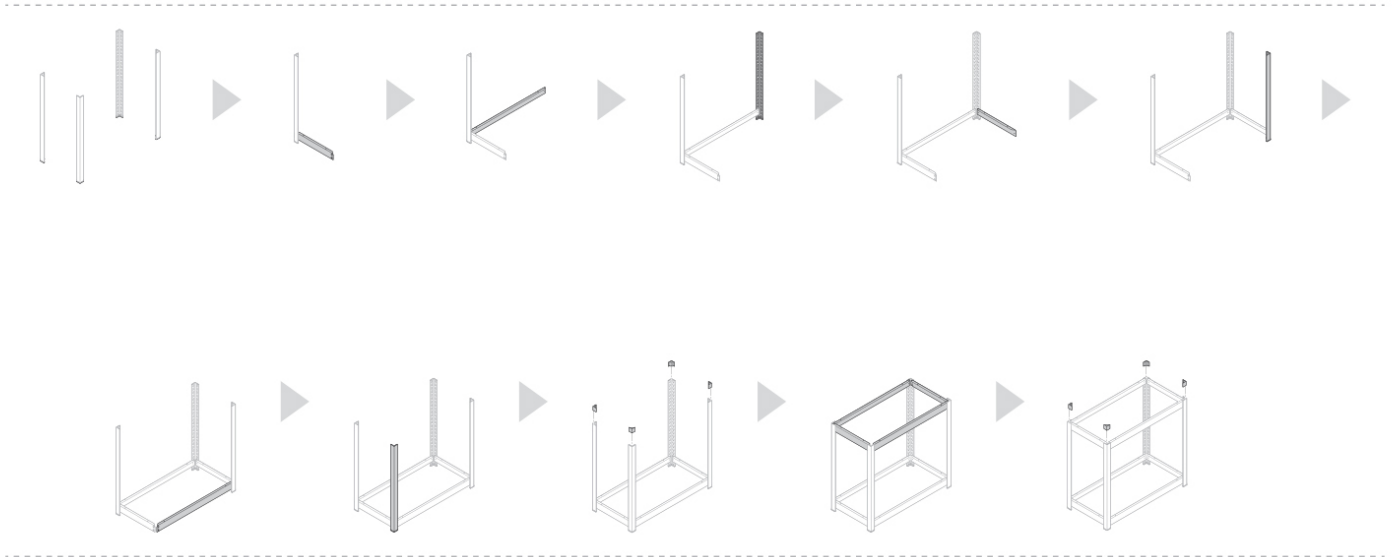
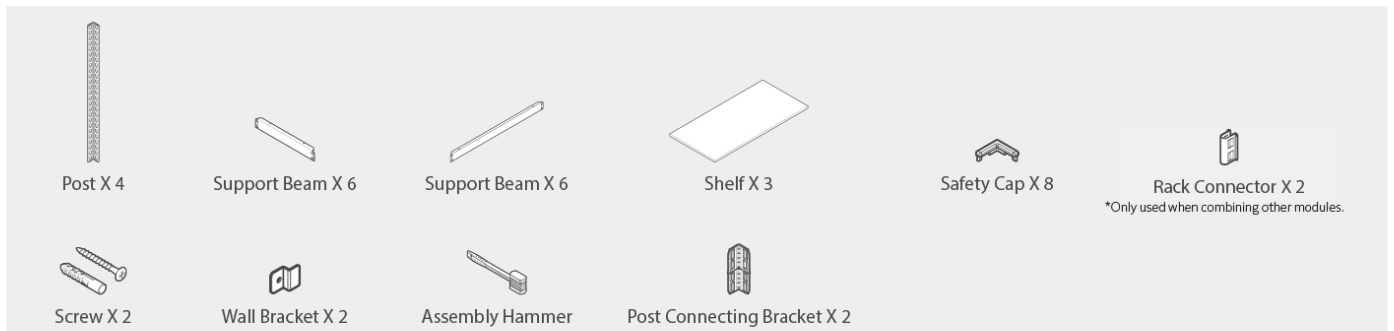
- Insert rubber safety caps into the open tops of each post before placing the final shelf plank.



Step 14: Add final shelf plank

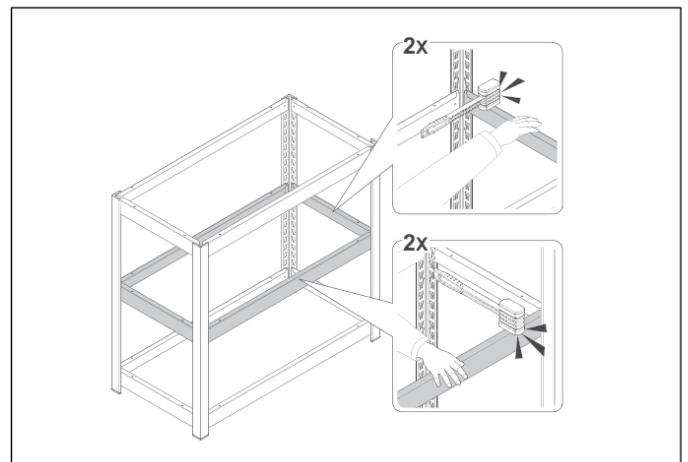
- Place the final shelf plank once your safety cap is fully installed.

2 SHELF MODULE



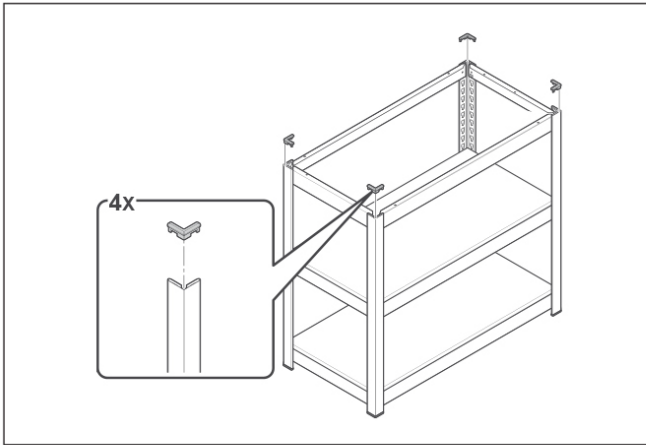
Step 1: Install base tier

- Follow up to **STEP 09** on pg. 06 before continuing on this page.



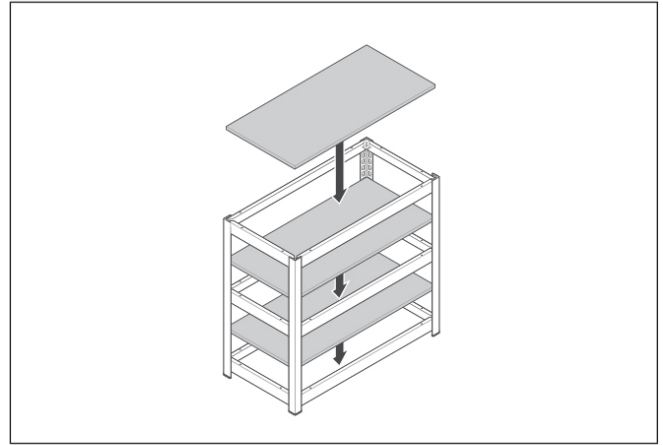
Step 2: Adding support beam tiers

- Install support beam shelving tiers.
- Designer Tip:** To create a basket shelf, flip all four support beams so that they resemble the shape of an "L".



Step 3: Inserting top rubber safety caps

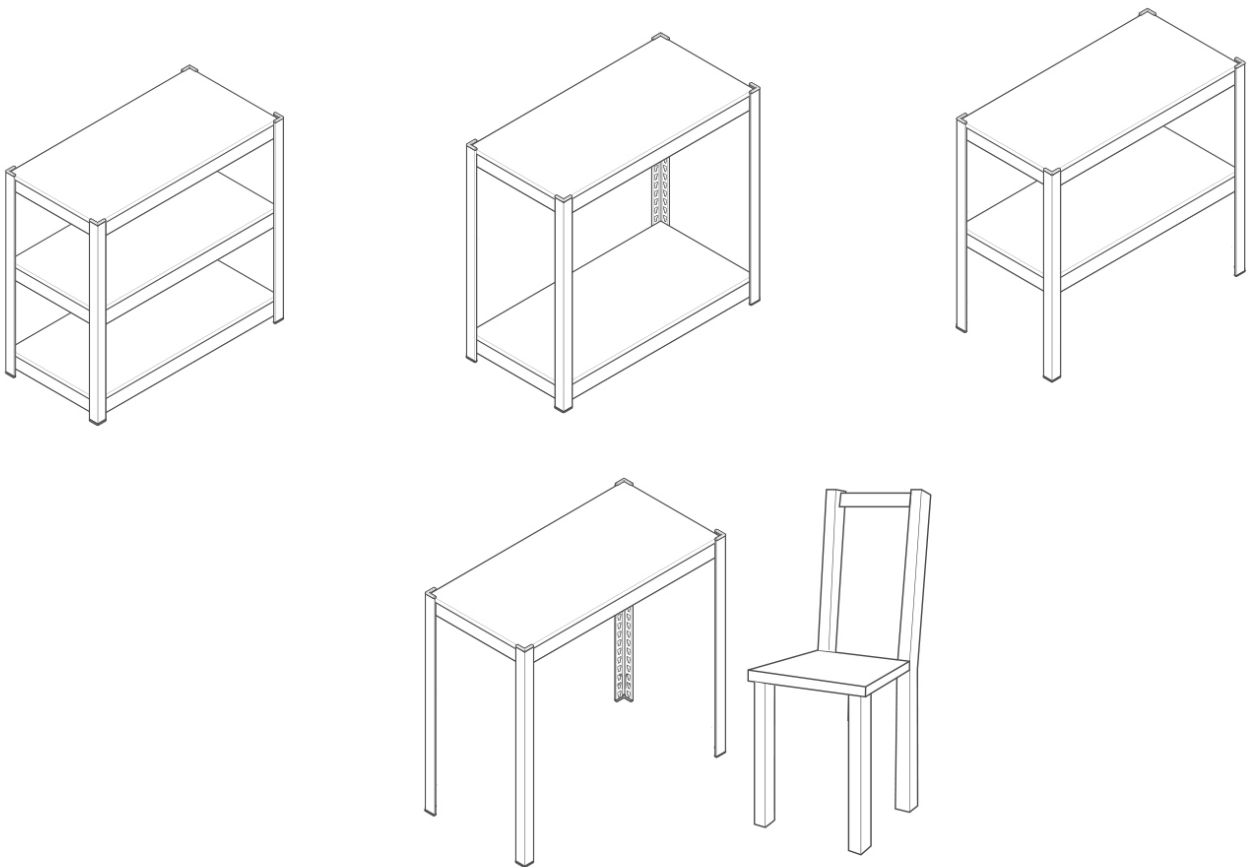
- Insert rubber safety caps into the open tops of each post.



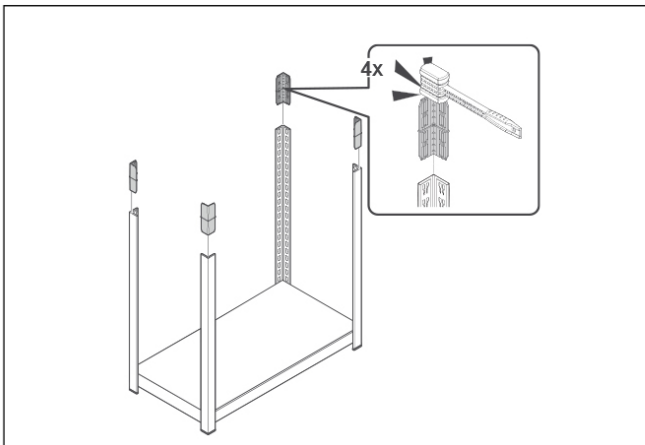
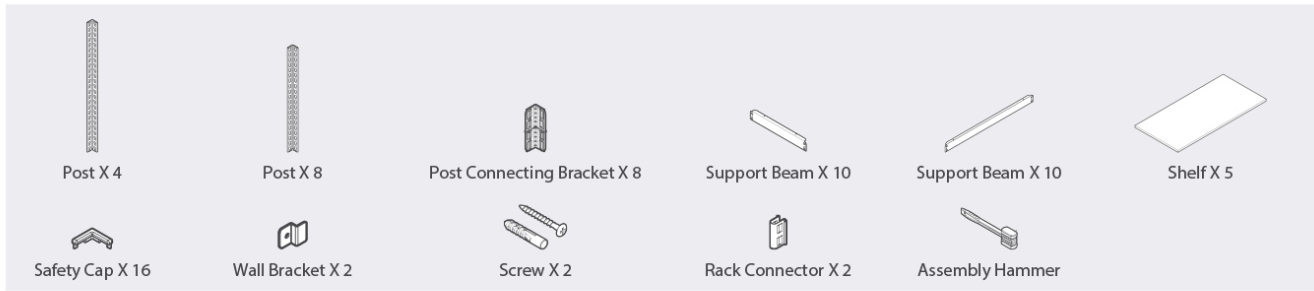
Step 4: Adding shelf plank

- Add shelf planks to corresponding support beam shelf tiers.

2 SHELF MODULE CONFIGURATION EXAMPLES

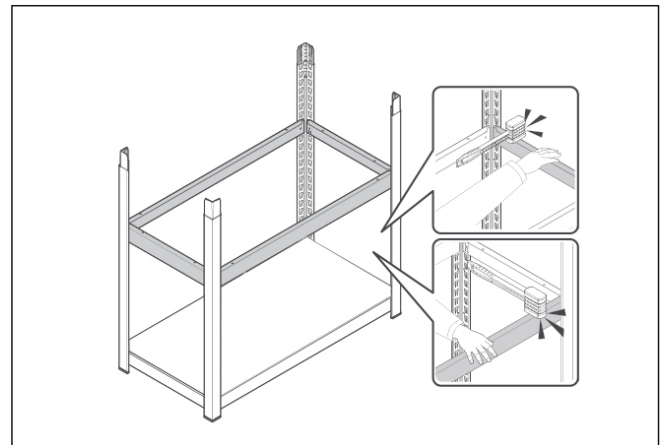


4 SHELF MODULE



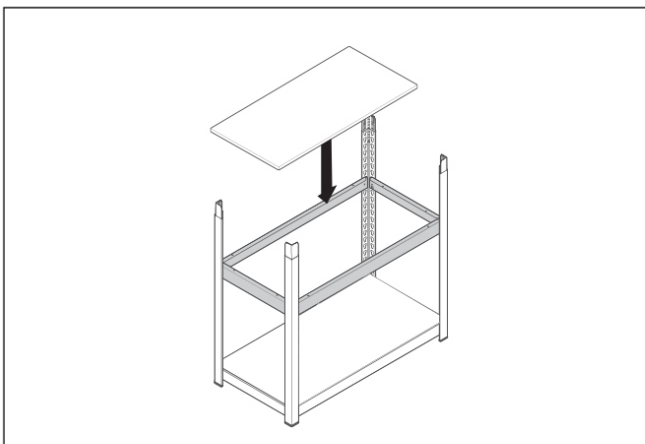
Step 1: Install base tier

- Follow up to **STEP 10** on pg. 06 before continuing on this page.



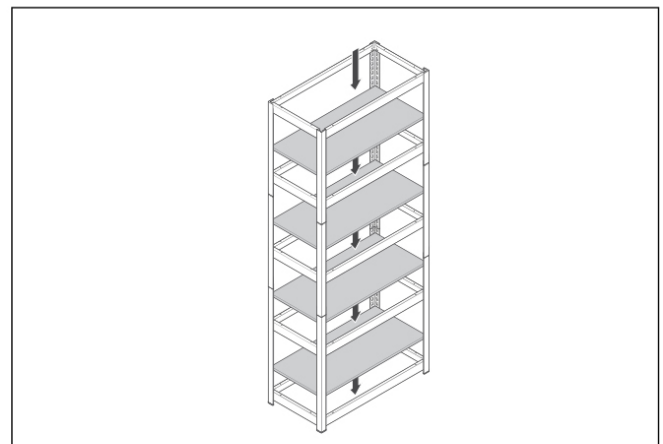
Step 2: Adding second support beam tier

- Add second support beam tier the same way the base support beam tier was installed.
- When assembling a multi-tiered KEPSUUL, install any necessary support beams before proceeding to stack multiple posts.
- **Designer Tip:** To create a basket shelf, flip all four support beams so that they resemble the shape of an "L".



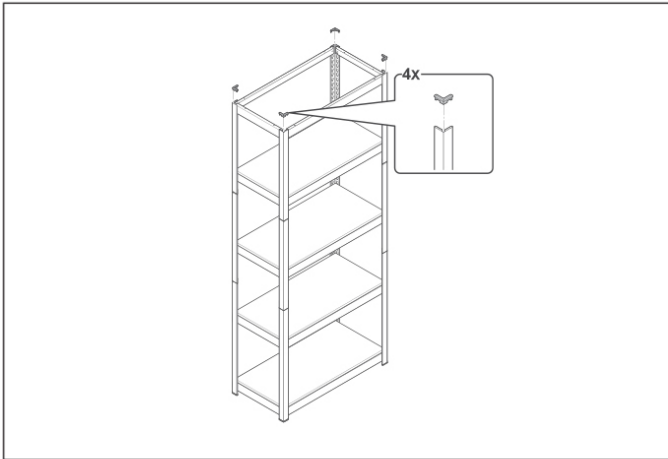
Step 3: Adding shelf plank

- When assembling a multi-tiered unit, add wood planks right after installing each support beam tier before proceeding to add more tiers.



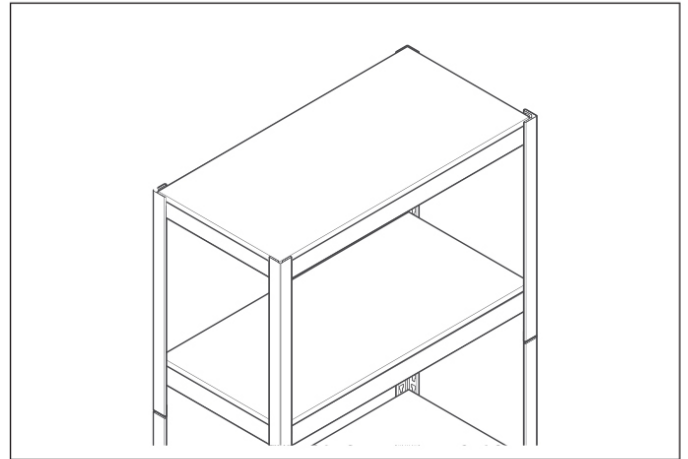
Step 4: Adding posts, support beams, and wood planks

- Add remaining posts and support beams along with wood planks based on the module's needs.
- *Support beam usage and placement depends on the desired configuration.*



Step 5: Inserting top rubber safety caps

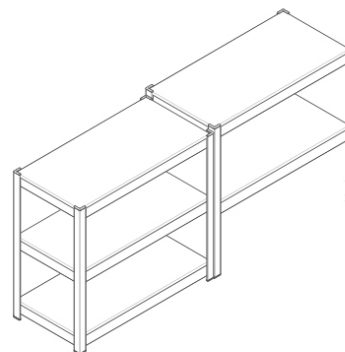
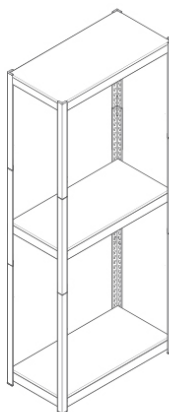
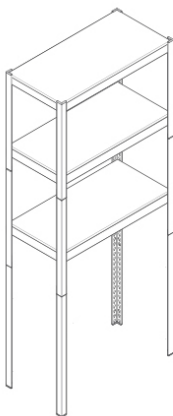
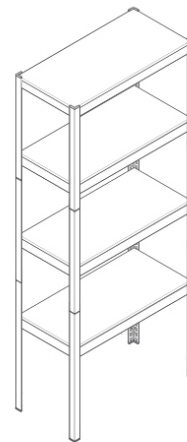
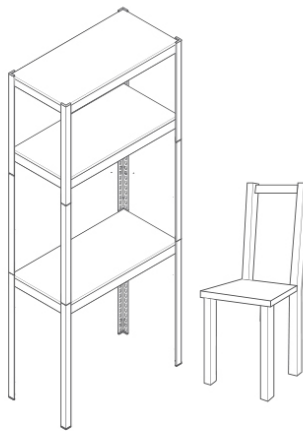
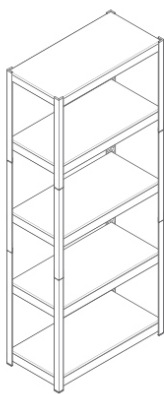
- Insert rubber safety caps into the open tops of each post.



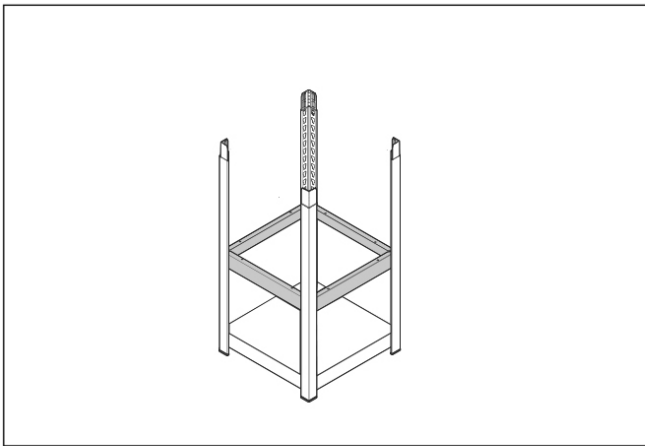
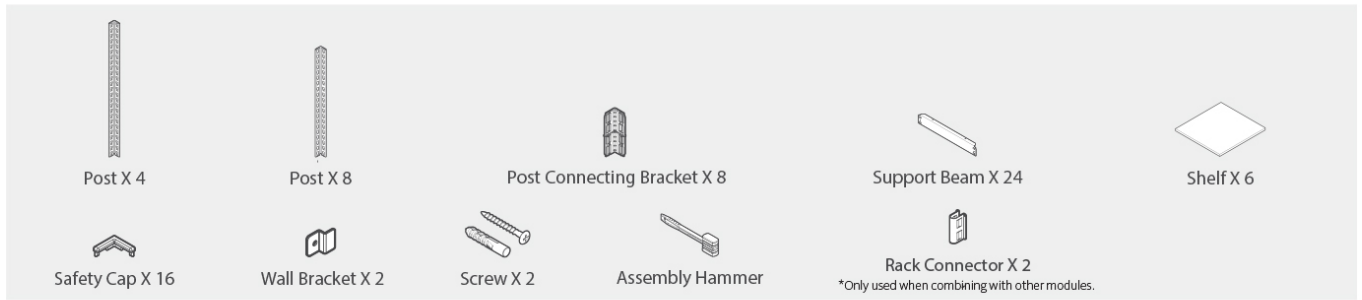
Step 6: Adding final shelf plank

- Place the final shelf plank after inserting rubber safety caps.

4 SHELF MODULE CONFIGURATION EXAMPLES

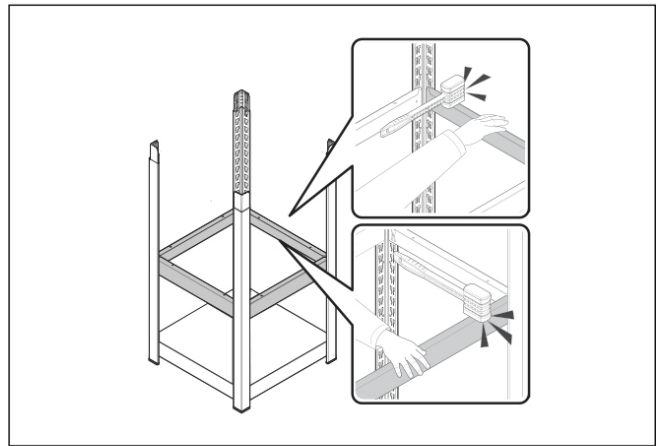


SLIM 5 SHELF MODULE



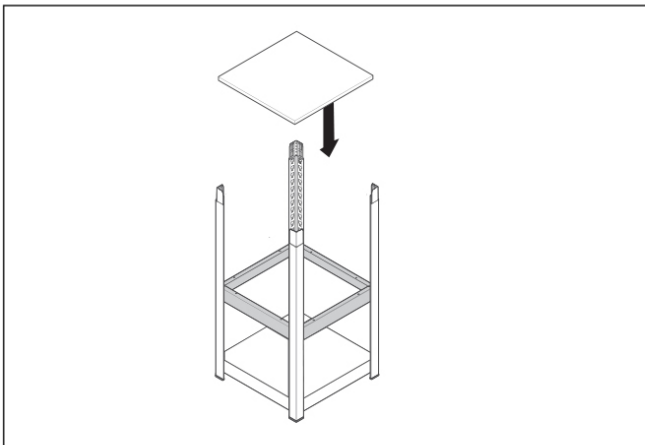
Step 1: Install base tier

- Follow up to **STEP 10** on pg. 06 before continuing on this page.



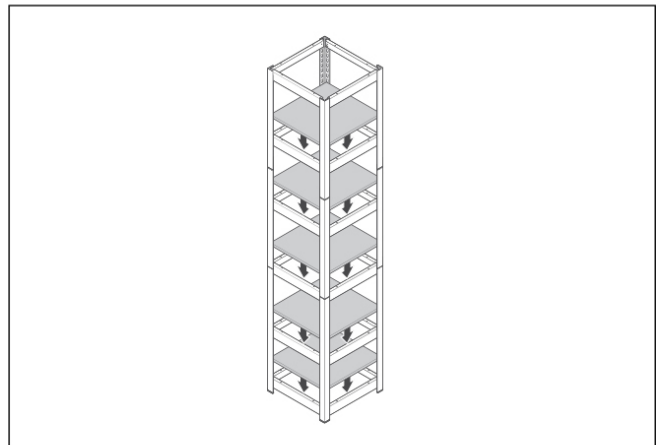
Step 2: Adding second support beam tier

- Add second support beam tier the same way the base support beam tier was installed.
- When assembling a multi-tiered KEPSUUL, install any necessary support beams before proceeding to stack multiple posts.
- **Designer Tip:** To create a basket shelf, flip all four support beams so that they resemble the shape of an "L".



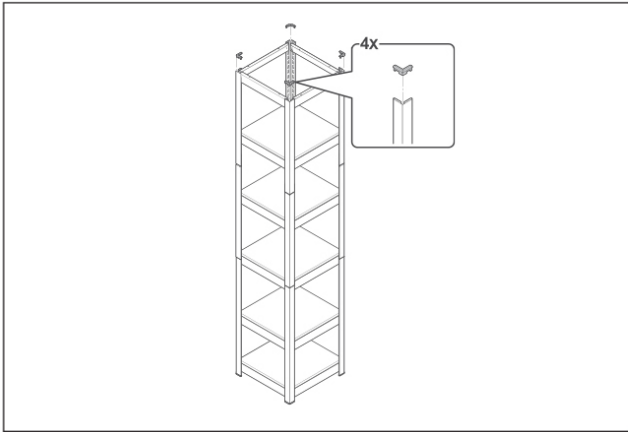
Step 3: Adding shelf plank

- When assembling a multi-tiered unit, add wood planks after installing each support beam tier.



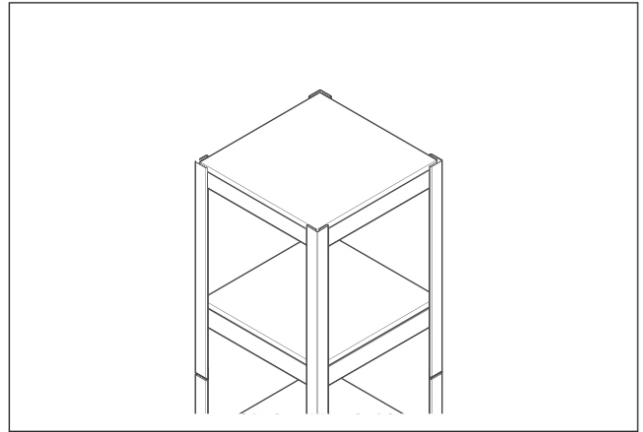
Step 4: Adding posts, support beams, and wood planks

- Add remaining posts and support beams along with wood planks based on the module's needs.
- *Support beam usage and placement depends on the desired configuration.*



Step 5: Inserting top rubber safety caps

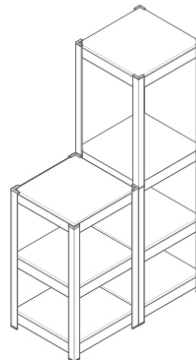
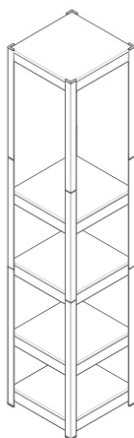
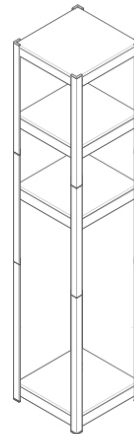
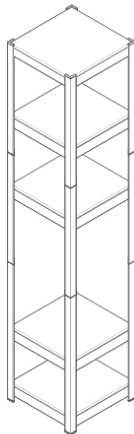
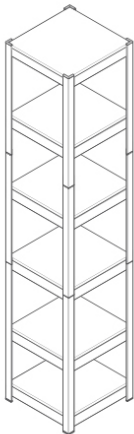
- Insert rubber safety caps into the open tops of each post.



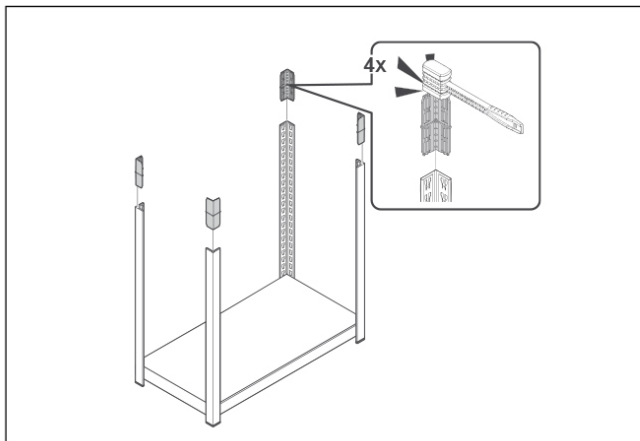
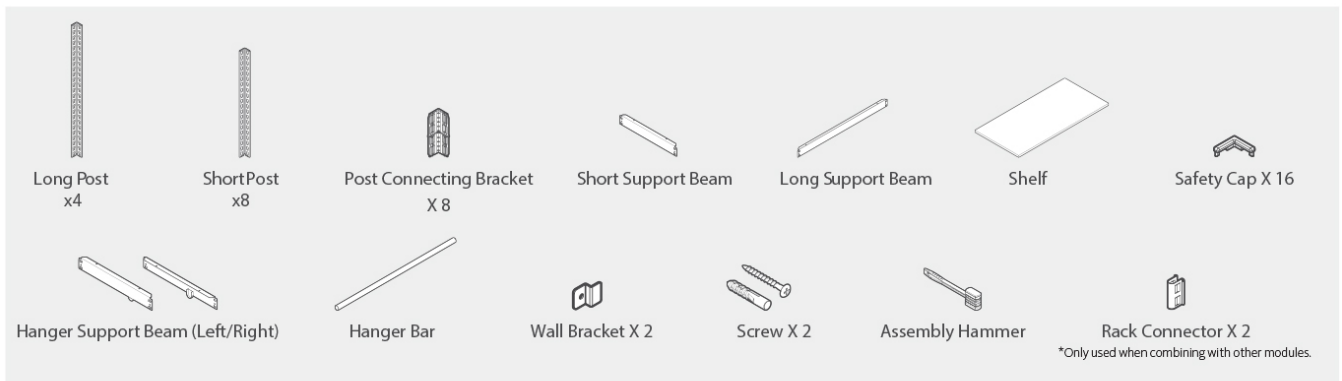
Step 6: Adding final shelf plank

- Place the final shelf plank after inserting rubber safety caps.

SLIM 5 MODULE CONFIGURATION EXAMPLES

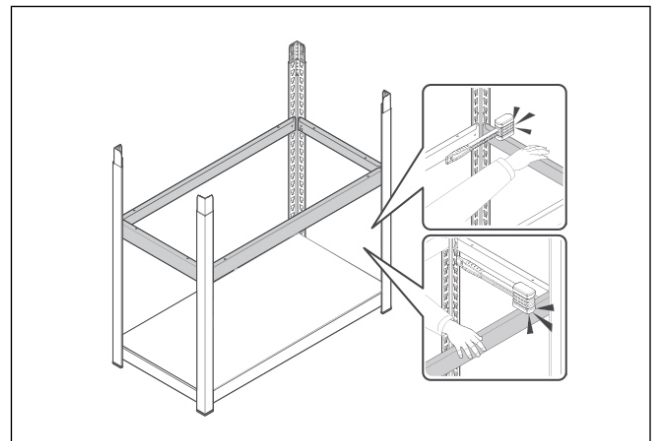


CLOTHING RACK WITH SHELVES



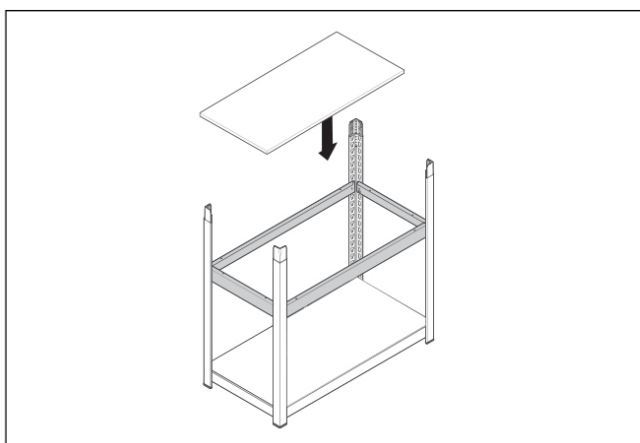
Step 1: Install base tier

- Follow up to **STEP 10** on pg. 06 before continuing on this page.



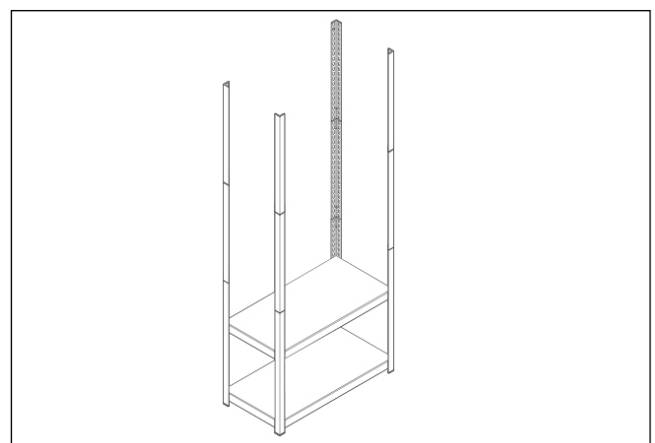
Step 2: Adding second support beam tier

- Add second support beam tier the same way the base support beam tier was installed.
- When assembling a multi-tiered KEPSUUL, install any necessary support beams before proceeding to stack multiple posts.
- **Designer Tip:** To create a basket shelf, flip all four support beams so that they resemble the shape of an "L".



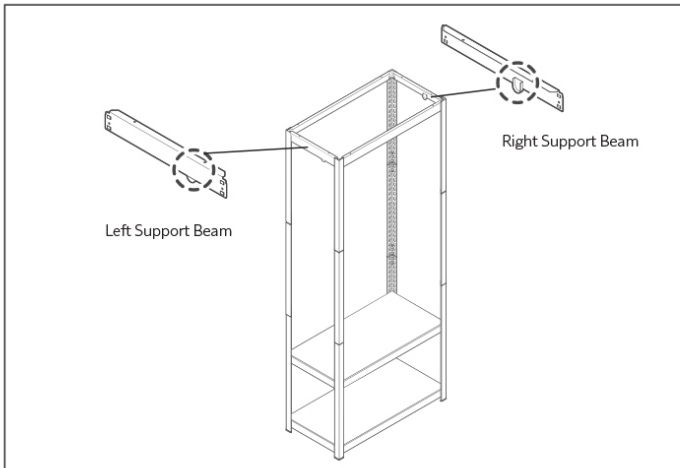
Step 3: Adding shelf plank

- Add wood planks after installing each support beam tier.



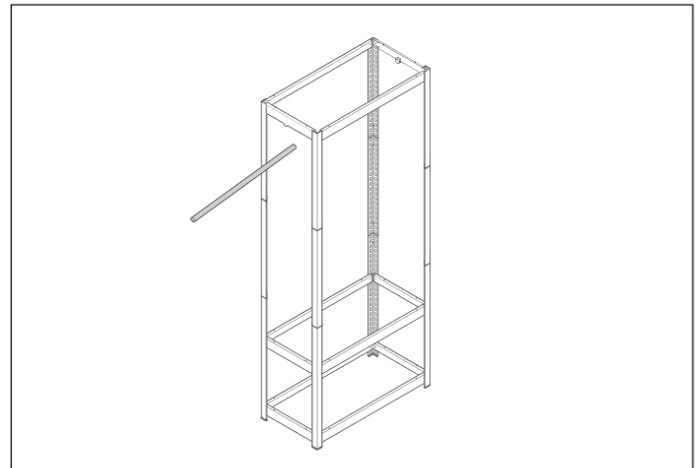
Step 4: Adding necessary posts

- Add remaining posts along with post connectors.



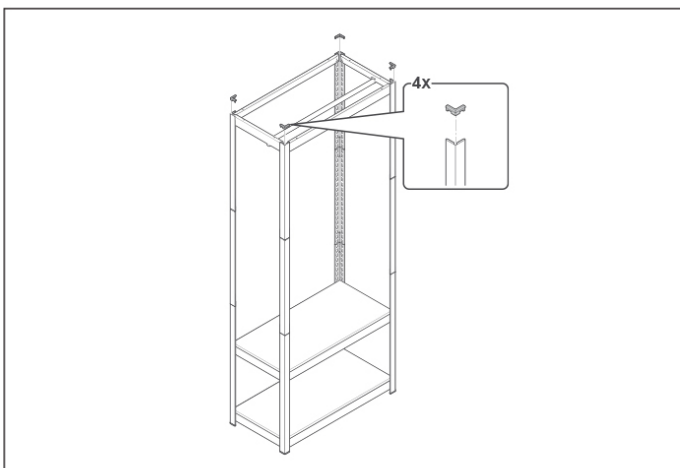
Step 5: Installing support beams

- Install the front and back long support beams.
- Install right hanger beam on the right side of the frame and left hanger beam on the left side of the frame.
- Both hanger support beam pockets should be aligned with each other and be closer to the side designated as the "front" of the clothing rack.



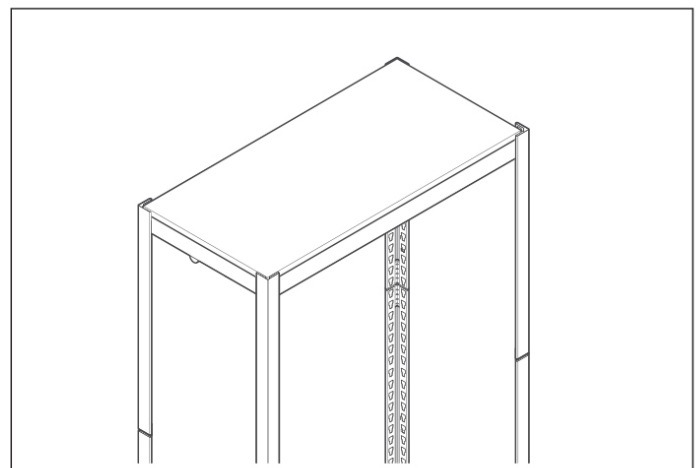
Step 6: Inserting hanger bar

- Gently push the hanger bar into the inner pockets of the hanger support beams until it fits completely into the pockets.



Step 7: Inserting top rubber safety caps

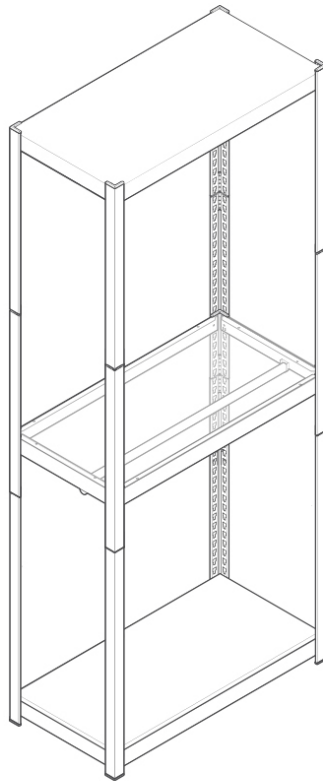
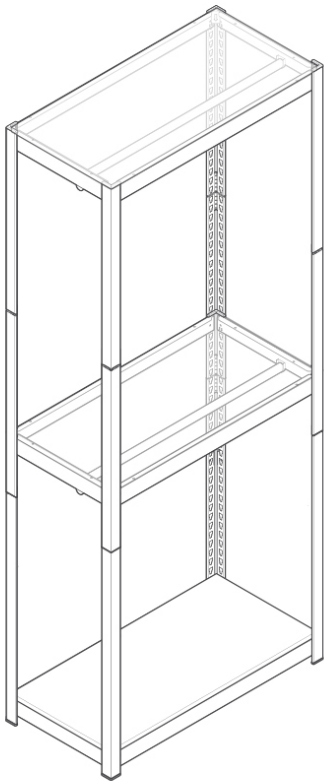
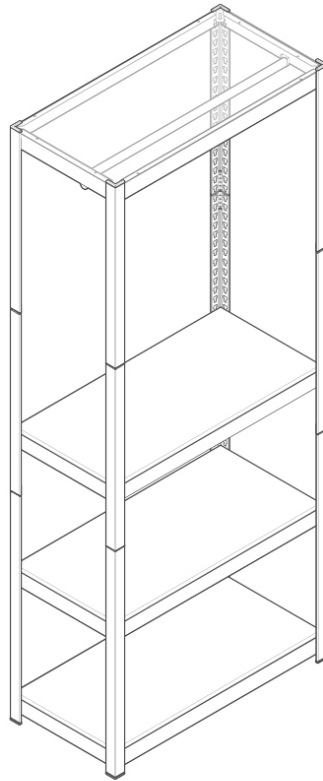
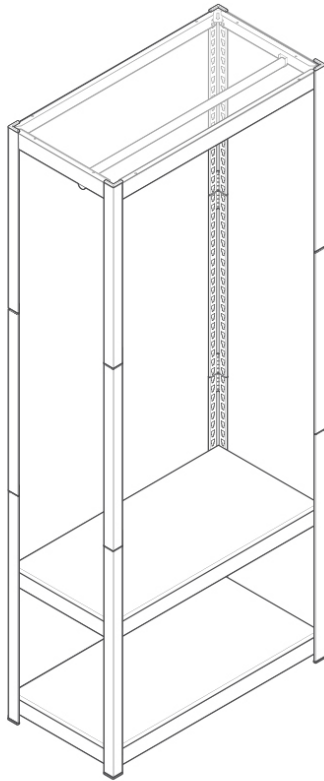
- Insert rubber safety caps into the open tops of each post.



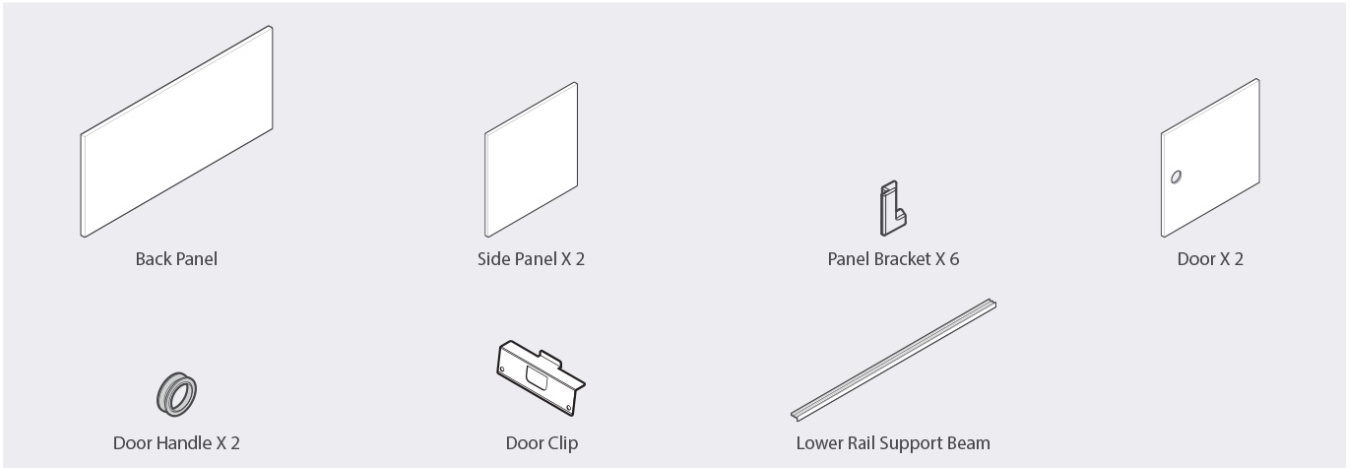
Step 8: Adding final shelf plank

- Place the final shelf plank after inserting rubber safety caps.

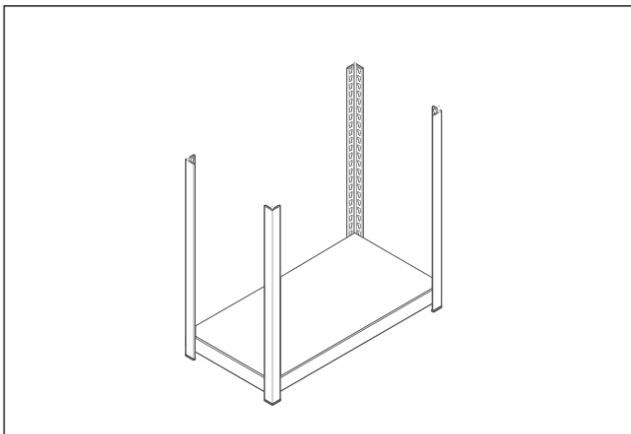
CLOTHING RACK WITH SHELVES CONFIGURATION EXAMPLES



DOOR INSTALLATION

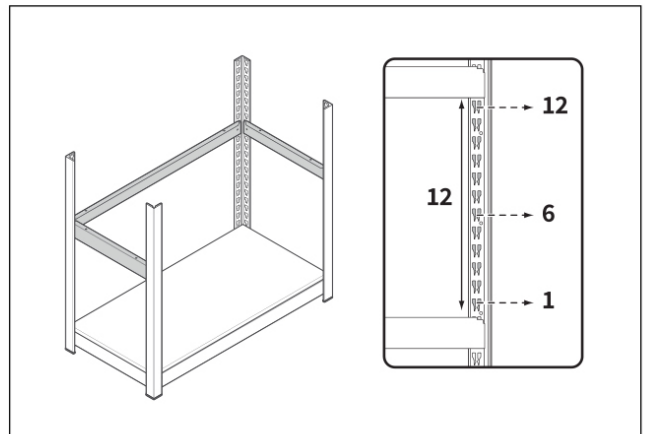


Back Panel Installation



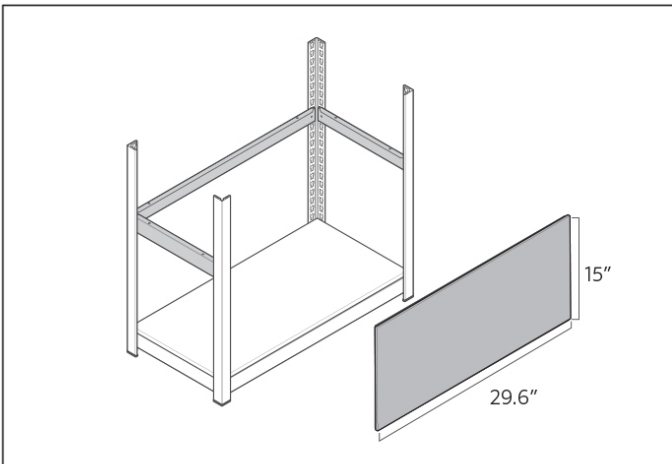
Step 1: Install base tier

- Follow up to **STEP 09** on pg. 06 before continuing on this page.



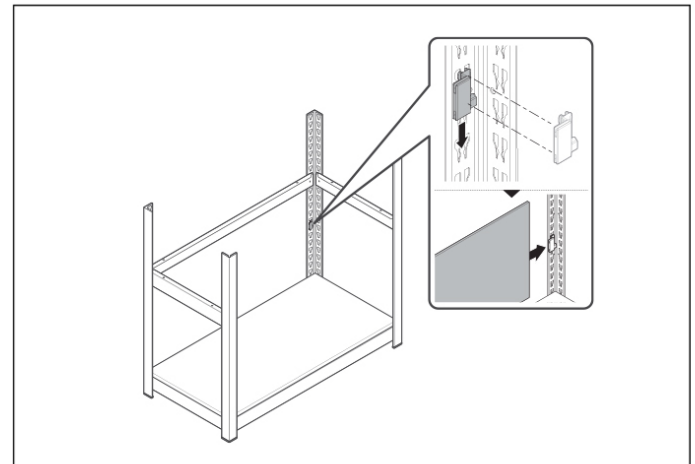
Step 2: Install short and long support beams

- Attach the long support beam to the two back posts of the rack.
- There must be twelve **visible** post holes to accommodate for the height of the back and side panels.
- Attach short support beams onto both sides of the module. Short support beams must be aligned in height to the long support beam.



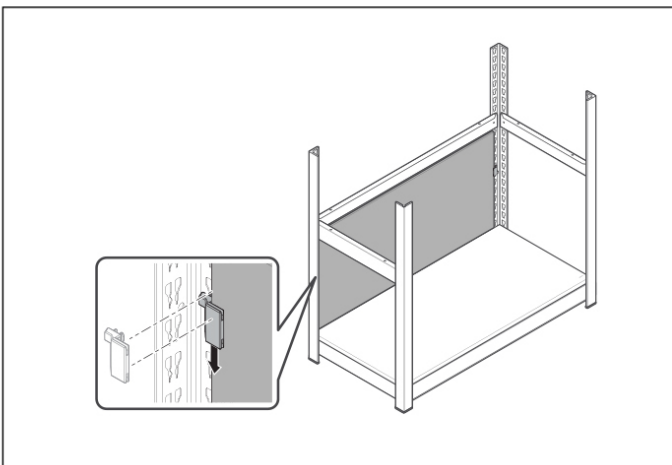
Step 3: Positioning back panel

- Orient the back panel horizontally.
- Carefully stand the back panel up flat against the two back posts and long back support beam.



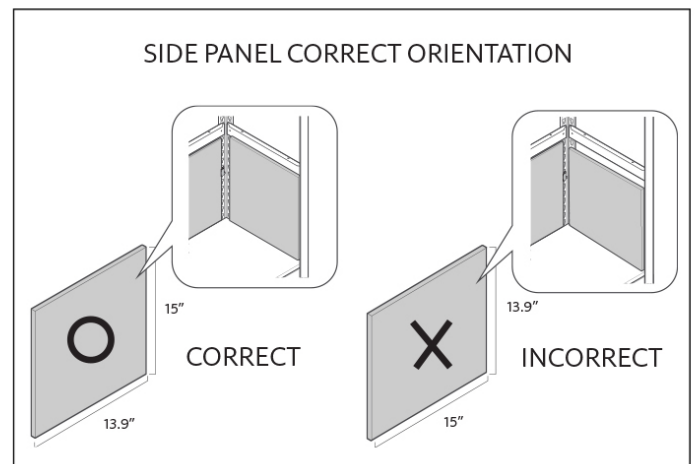
Step 4: Inserting first panel bracket

- The long, flat lip of the bracket should be facing inwards.
- With the back panel flat against the back posts, push the lip of one bracket onto the surface of the panel so that the panel is pinned flush against the post.
- Once the two tabs connected to the panel brackets are properly aligned to the post holes, push the bracket down to secure.
- Be sure to slide the panel completely into panel bracket to allow space for the next bracket.



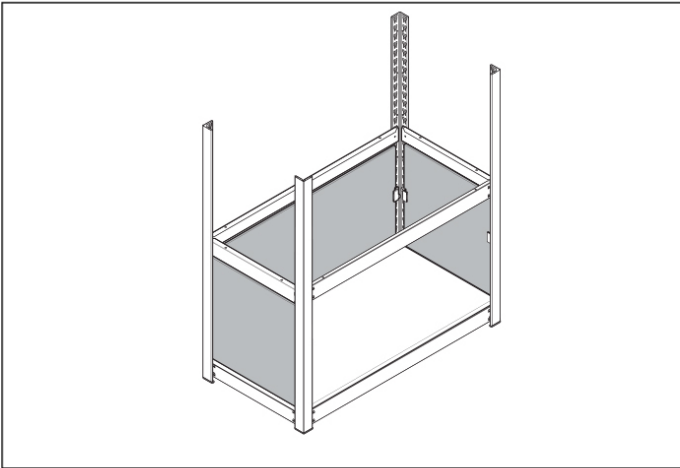
Step 5: Inserting second panel bracket

- Second panel bracket should be flipped compared to the first panel bracket.
- Repeat Step 4 on the other side of panel.



Step 6: Positioning side panels

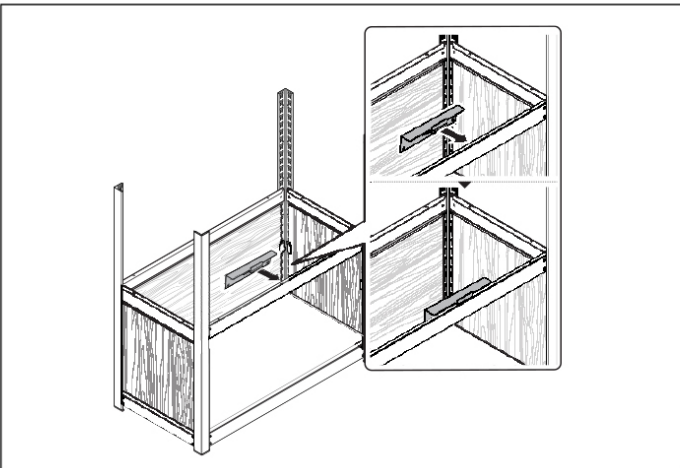
- While the side panels appear to be squares, the width and height of the panels are slightly different. The width of a side panel is 13.9", whereas the height is 15".
- When placing side panels up against the sides of the module, make sure they're standing with a height of 15" and a width of 13.9".
- A side panel inserted in the incorrect orientation will cover one of the post's holes, making it impossible to insert panel brackets on both sides.



Step 7: Inserting side panel & brackets

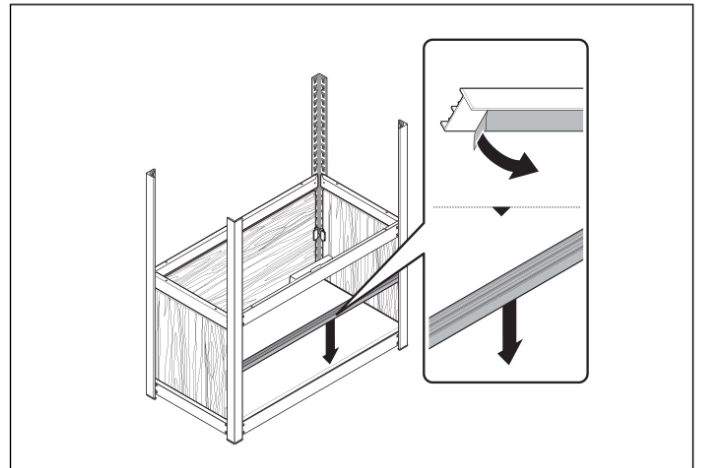
- Repeat Steps 3-5 on both sides of both panels.

Door Assembly



Step 8: Inserting door clip

- Install the door clip to the top of the long support beam. The lip of the long support beam holder should be wedged in between the door clip.



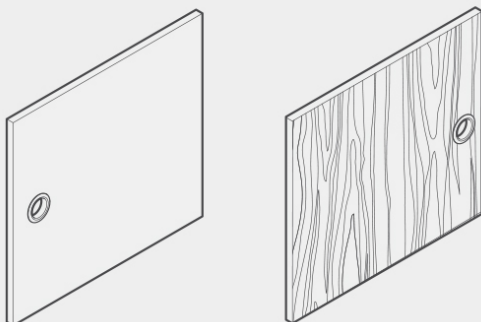
Step 9: Installing lower rail support beam

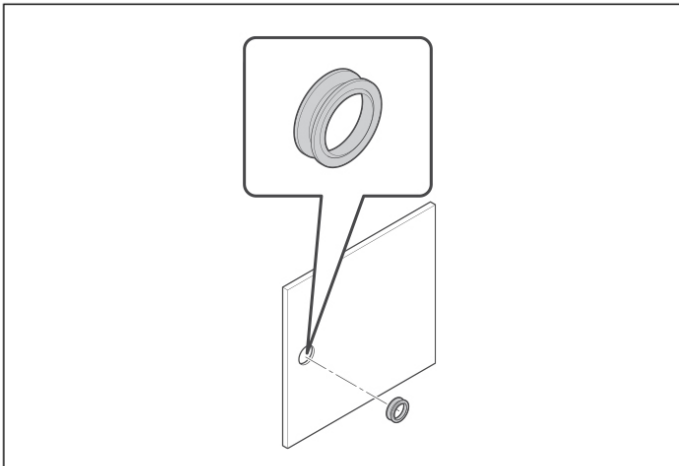
- Orient the lower rail support beam so that the ridges are facing up and the lip rests over the front edge of the bottom shelf plank.
- Be sure to first test the fit of the beam before removing its adhesive strip. Once ready, remove the adhesive strip and firmly press the beam onto the front edge of the bottom shelf plank.

Designer Tip

Reversible Doors

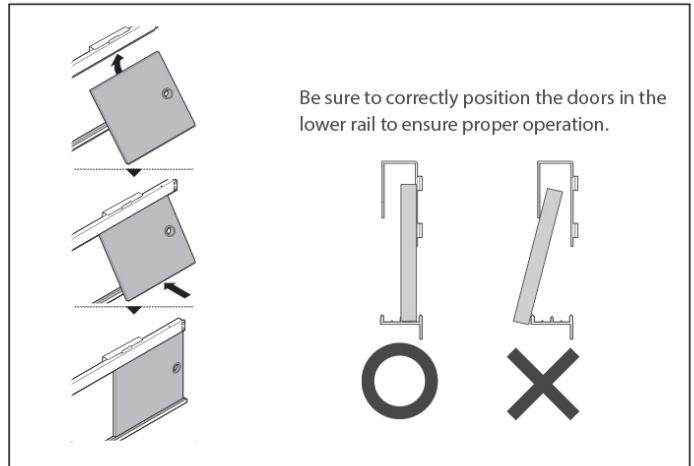
Door panels have two different colorways - wood grain on one side and a singular color on the other - and can be flipped over based on the user's desires.





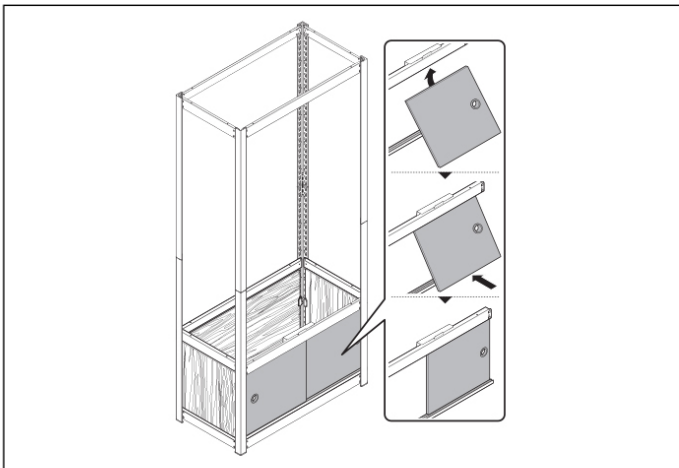
Step 10: Preparing door panels

- Insert rubber door handles into both door panel holes by bending the silicon to fit into the panel holes.



Step 11: Inserting first door panel into rails

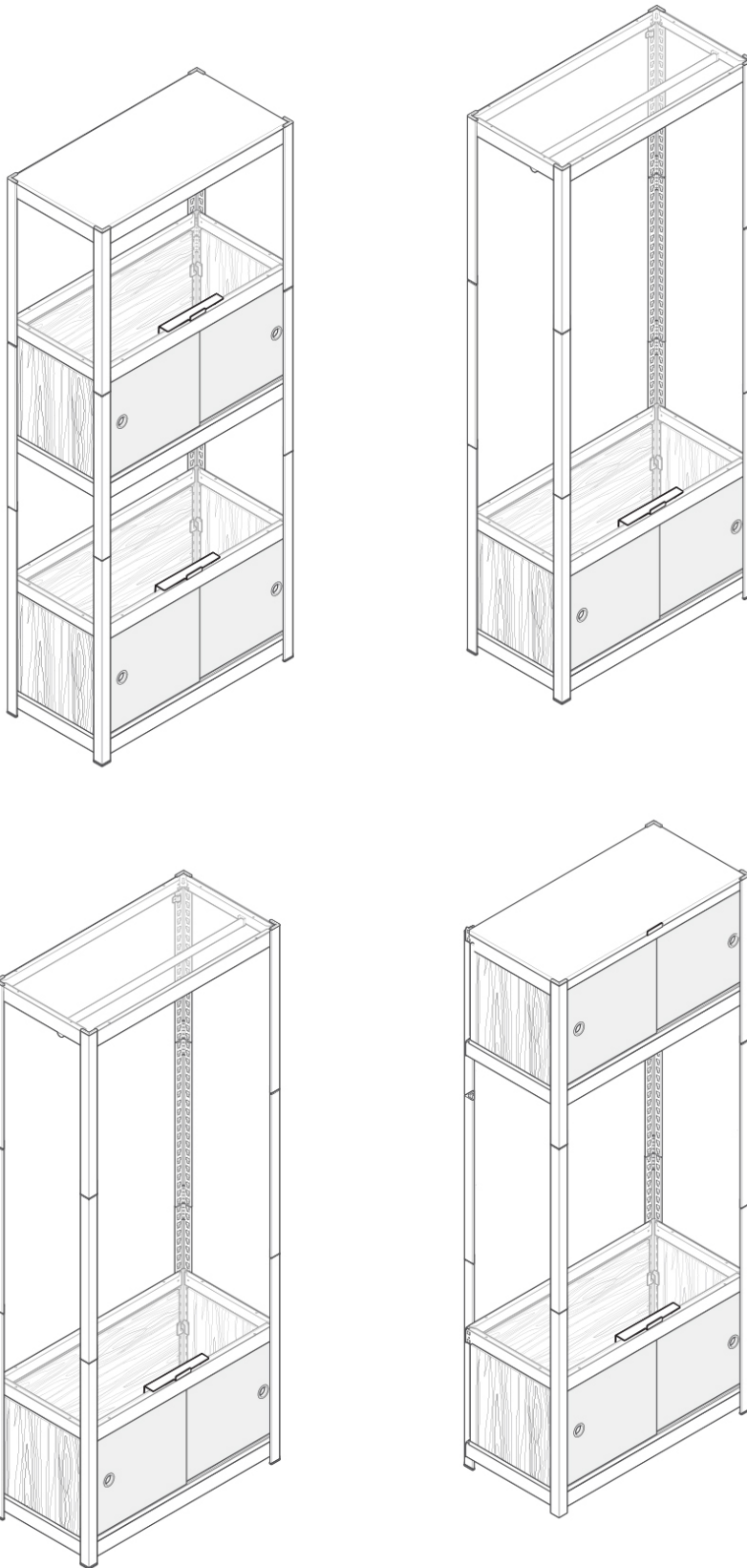
- Orient the door panel so that the wood grain runs vertically.
- Angle the door up into the door clip to allow space for the panel to straighten onto the **back gutter** of the lower rail support beam.



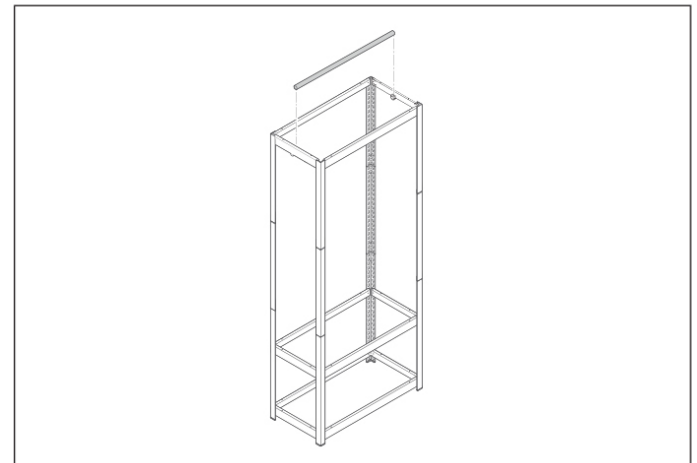
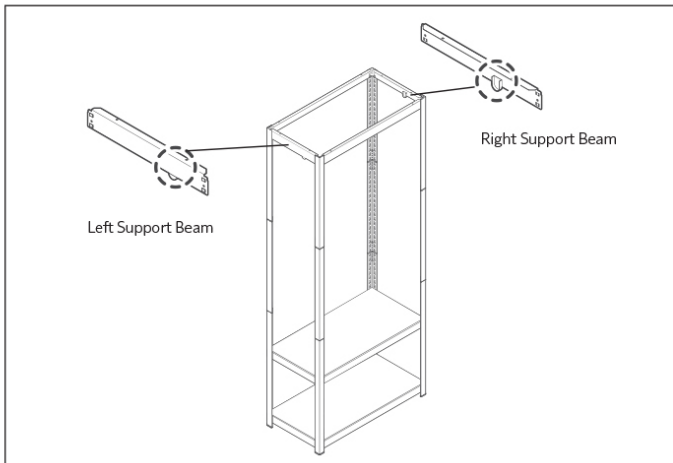
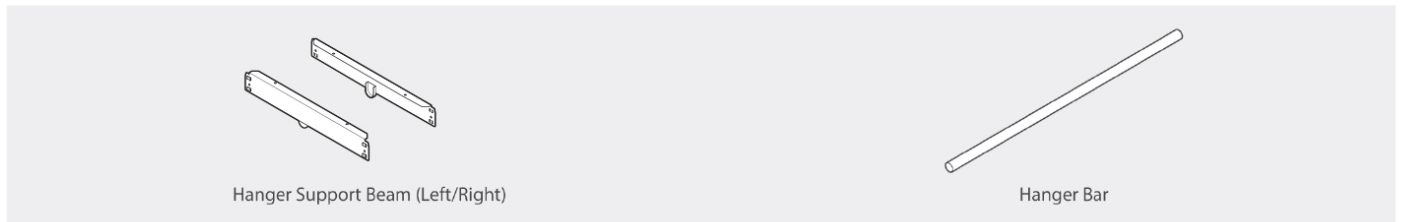
Step 12: Inserting second door panel into rails

- Orient the door panel so that the wood grain runs vertically and the door handle is facing away from the handle of the first door.
- Angle the door up into the door clip to allow space for the panel to straighten onto the front gutter of the lower rail support beam.
- The second door panel should be sitting in front of the first door panel.

DOOR INSTALLATION EXAMPLES



HANGER INSTALLATION



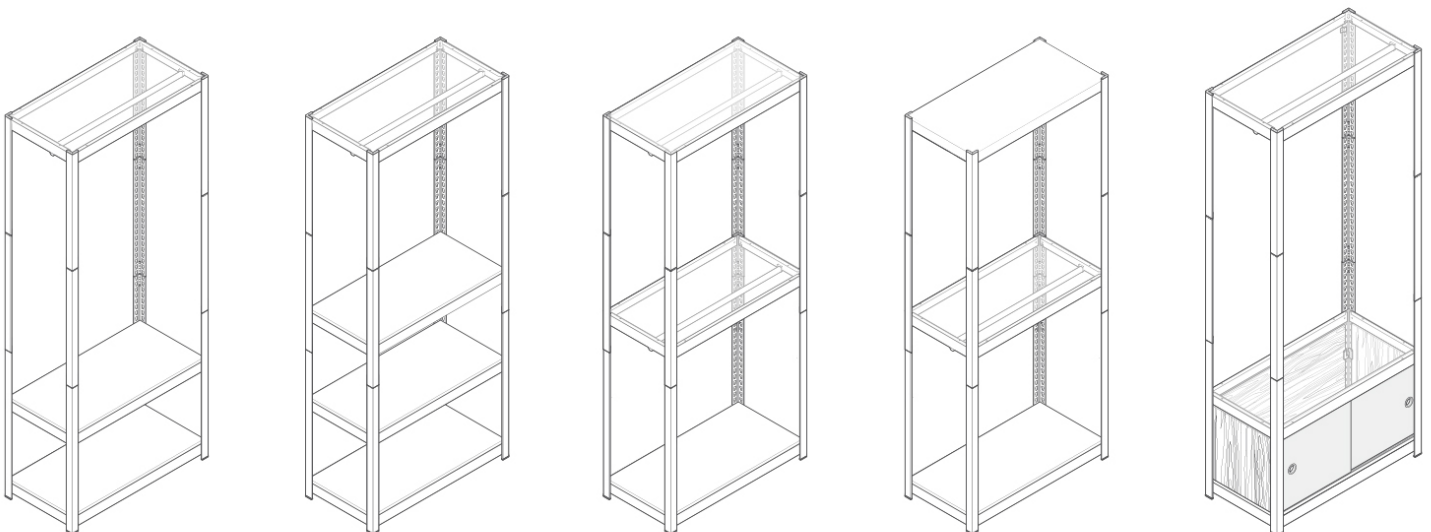
Step 1: Installing Right/Left support beams

- Install the front and back long support beams.
- Install right hanger beam on the right side of the frame and left hanger beam on the left side of the frame.
- Both hanger support beam pockets should be aligned with each other and be closer to the side designated as the front of the clothing rack.

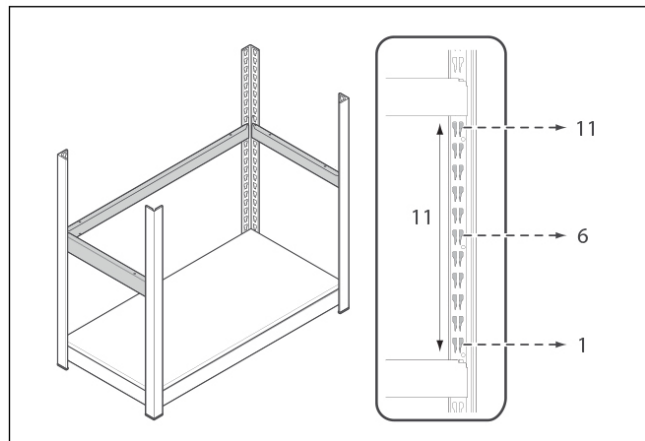
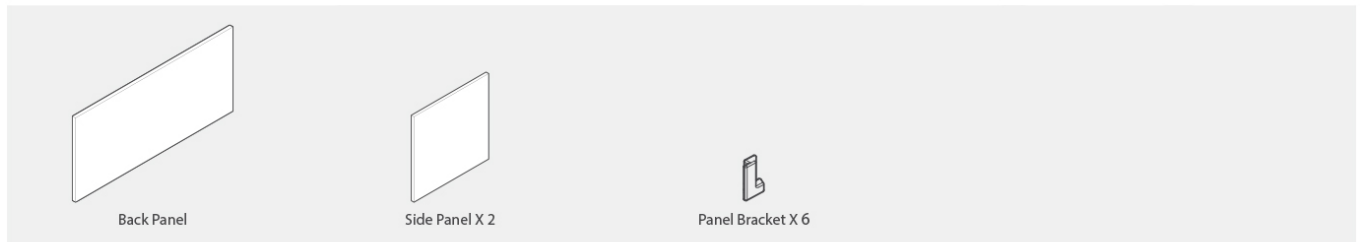
Step 2: Inserting hanger bar

- Gently push the hanger bar into the inner pockets of the hanger support beams until it fits completely into the pockets.

HANGER EXAMPLES

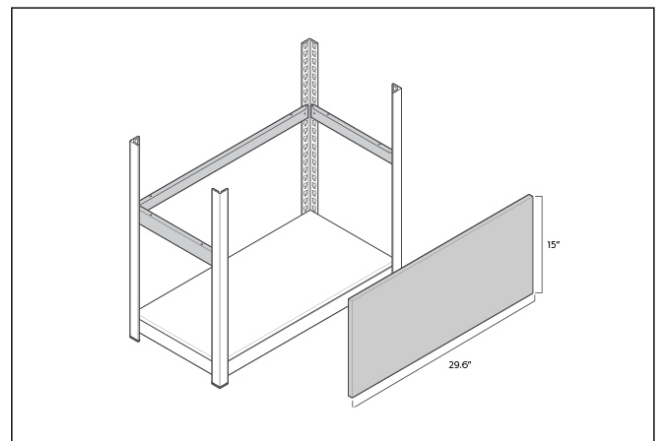


PANEL INSTALLATION



Step 1: Install short and long support beams

- Attach the long support beam to the two back posts of the rack.
- There must be eleven **visible** post holes to accommodate the height of the back and side panels.
- Attach short support beams onto both sides of the module. They must both be aligned in height to the long support beam.

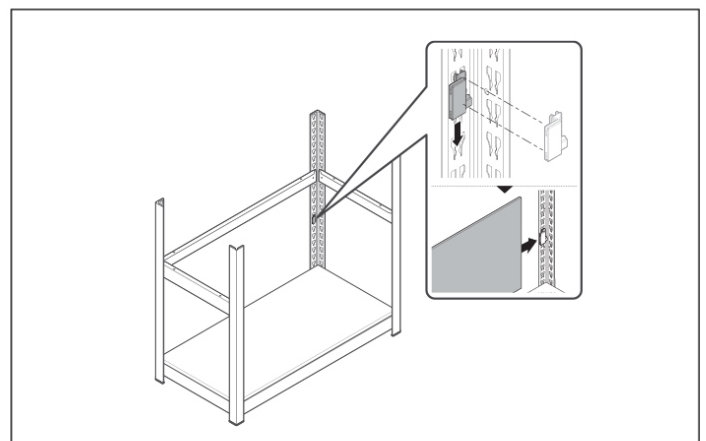
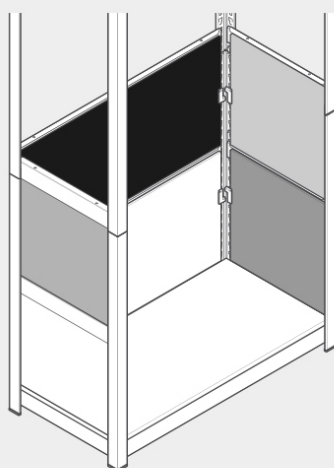


Step 2: Positioning back panel

- Orient the back panel horizontally.
- Carefully stand the back panel up flat against the two back posts and long back support beam.

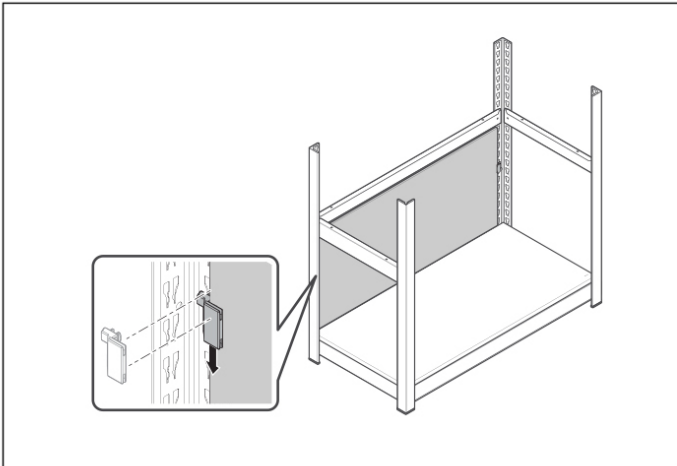


Mix and match panel colors to create a more colorful module!



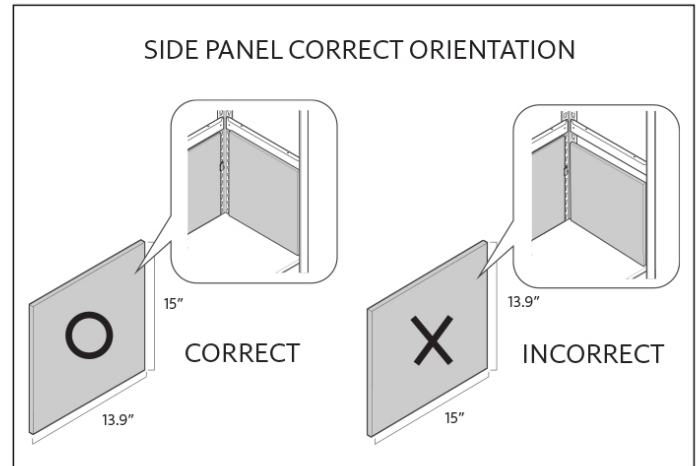
Step 3: Inserting first panel bracket

- The long, flat lip of the bracket should be facing inwards.
- With the back panel flat against the back posts, push the lip of one bracket onto the surface of the panel so that the panel is pinned flush against the post.
- Once the two tabs connected to the panel brackets are properly aligned to the post holes, push the bracket down to secure.
- Be sure to slide the panel completely up against the end of the panel bracket to allow space for the next bracket.



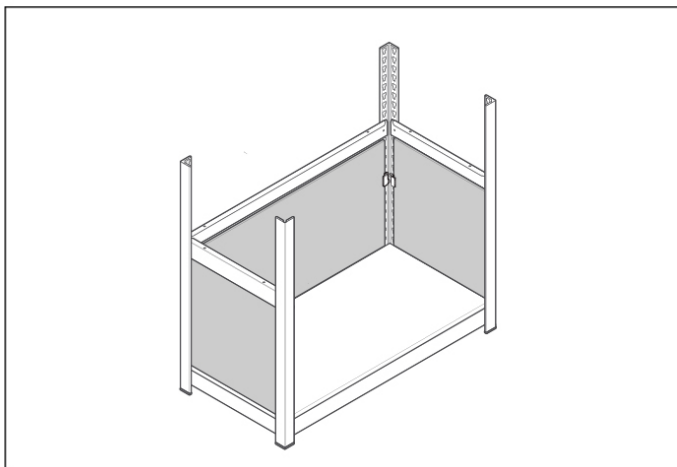
Step 4: Inserting second panel bracket

- Second panel bracket should be flipped compared to the first panel bracket.
- Repeat Step 3 on the other side of back panel.



Step 5: Positioning side panels

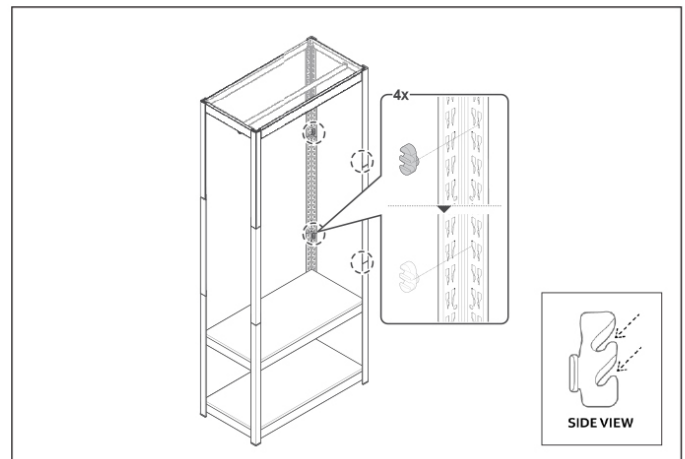
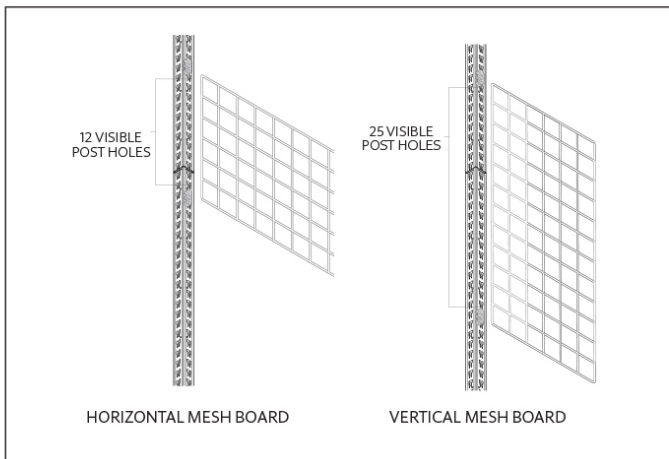
- While the side panels appear to be squares, the width and height of the panels are slightly different. The width of a side panel is 13.9", whereas the height is 15".
- When placing side panels up against the sides of the module, make sure they're standing with a height of 15" and a width of 13.9".
- A side panel inserted in the incorrect orientation will cover one of the post's holes, making it impossible to insert panel brackets on both sides.



Step 6: Inserting side panel & brackets

- Repeat Steps 3-5 on both sides of both panels.

MESH BOARD INSTALLATION

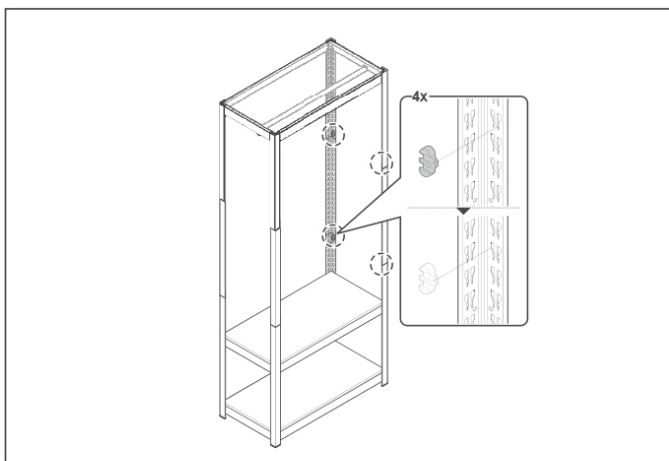


Step 1: Preparing placement of mesh board

- The mesh board can be rotated either horizontally or vertically to fit between two posts that are separated by a long support beam or a short support beam, respectively.
- Connecting the mesh board horizontally takes up twelve visible post holes.
- Connecting the mesh board vertically takes up twenty-five visible post holes.

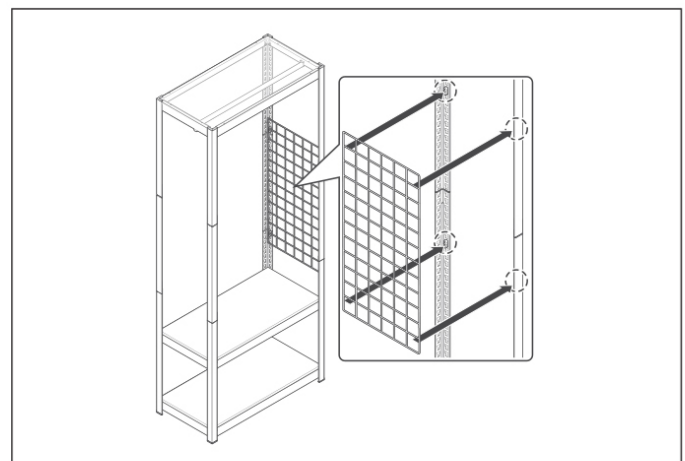
Step 2: Inserting top mesh board brackets

- Orient the mesh board bracket so that the bracket divots are sloping downwards into the attaching post.
- Connect the mesh board bracket to the desired post hole - there must be at least twenty-five **visible** post holes (*for horizontal mesh board*) - and push down into the tapered section of the post hole to secure it in place.
- Attach a second mesh board bracket at the same height but on the second desired post.



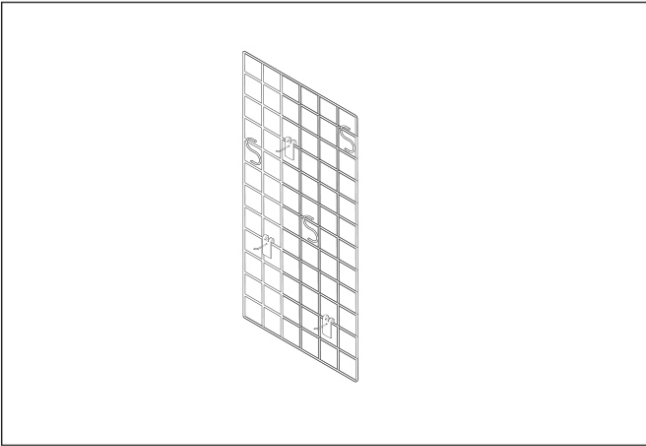
Step 3: Inserting bottom mesh board brackets

- Insert both bottom mesh board brackets on the same two posts with the brackets' divots sloping downwards.
- Connect the mesh board bracket to the desired post hole - there must be at least twenty-five **visible** post holes (*for horizontal mesh board*) - and push down into the tapered section of the post hole to secure it in place.



Step 4: Attaching the mesh board

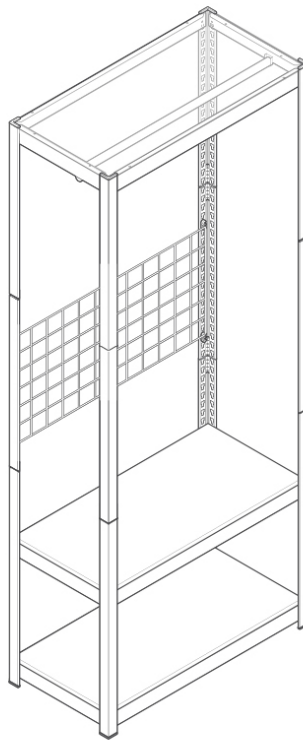
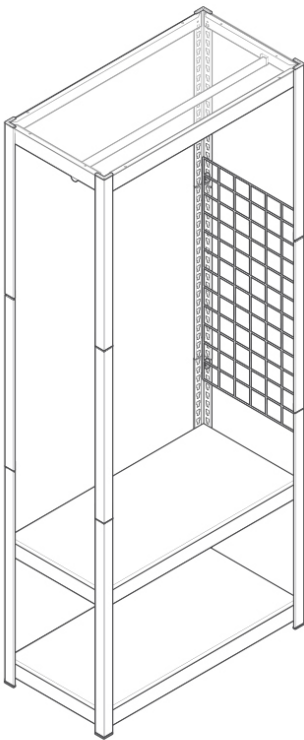
- Gently clip the topmost wire of the mesh board into the divots of the top mesh board brackets.
- Once the top of the mesh board is hung securely, gently clip the bottommost wire of the mesh board into the divots of the bottom mesh board brackets.



(OPTIONAL) Step 5: Using plate hooks and S-hooks

- Hang plate hooks and S-hooks anywhere on the mesh board to hang and display an endless variety of tools, linens, clothing, and other objects!

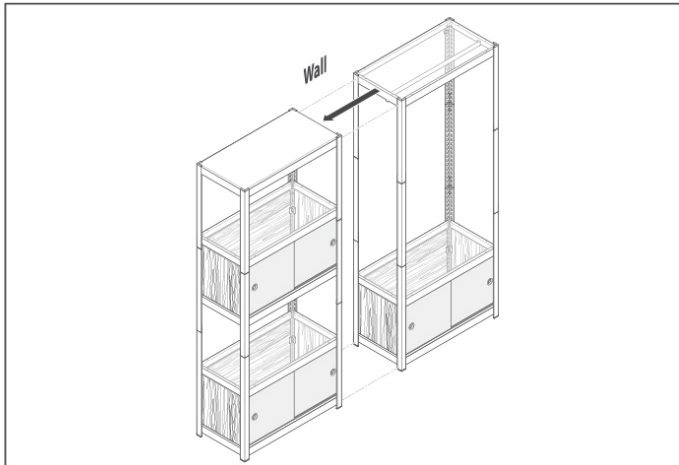
MESH BOARD EXAMPLES



Module Expansion And Separation

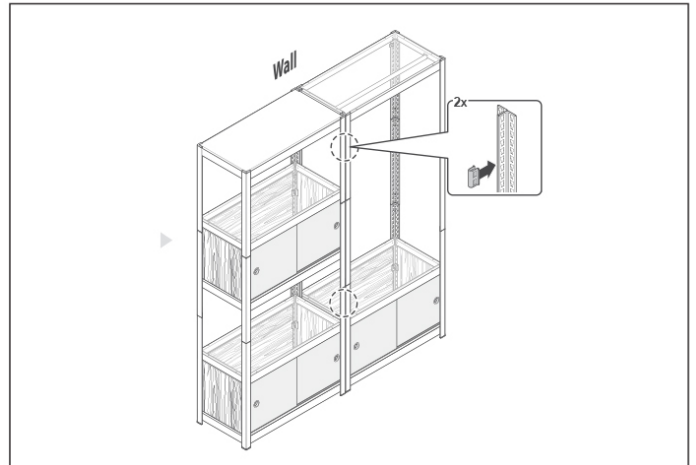
NOTE: If planning to attach multiple KEPSUUL modules, all modules should be assembled in the desired location. If a module has already been built, it is not recommended to attempt to shift it around. It is safest to disassemble a rack into its basic components and reassemble them in the spot in which you will display the completed set of modules. To correctly dismantle module, remove the topmost components first and make your way down to the base of the rack. Remember to finish disassembling the current tier before moving on to the next.

CAUTION: Loose objects and KEPSUUL add-ons may slip and/or fall if not removed prior to disassembling the rack.



Step 1: Repositioning modules

- Carefully orient desired racks so that their posts are abutting and they're both facing the correct direction.



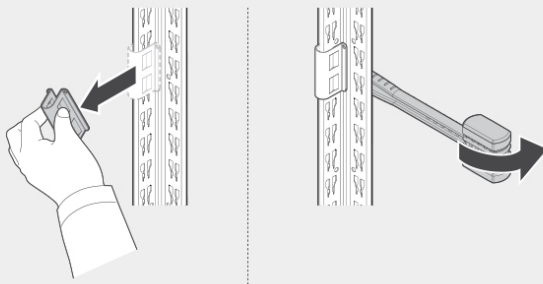
Step 2: Clipping rack connectors to adjacent posts

- Clip rack connector onto the two adjacent posts and slide the clipped connector up or down until it clicks into place.
- It is recommended to clip a rack connector to the mid-height of the overlapping section between two adjacent posts.
- Be sure to clip a rack connector to both the two adjacent front posts and two adjacent back posts of the combined modules.
- Two rack connectors are sufficient enough to effectively affix two modules to one another. However, feel free to use any spare or extra rack connectors whenever and wherever you deem necessary.

Designer
Tip

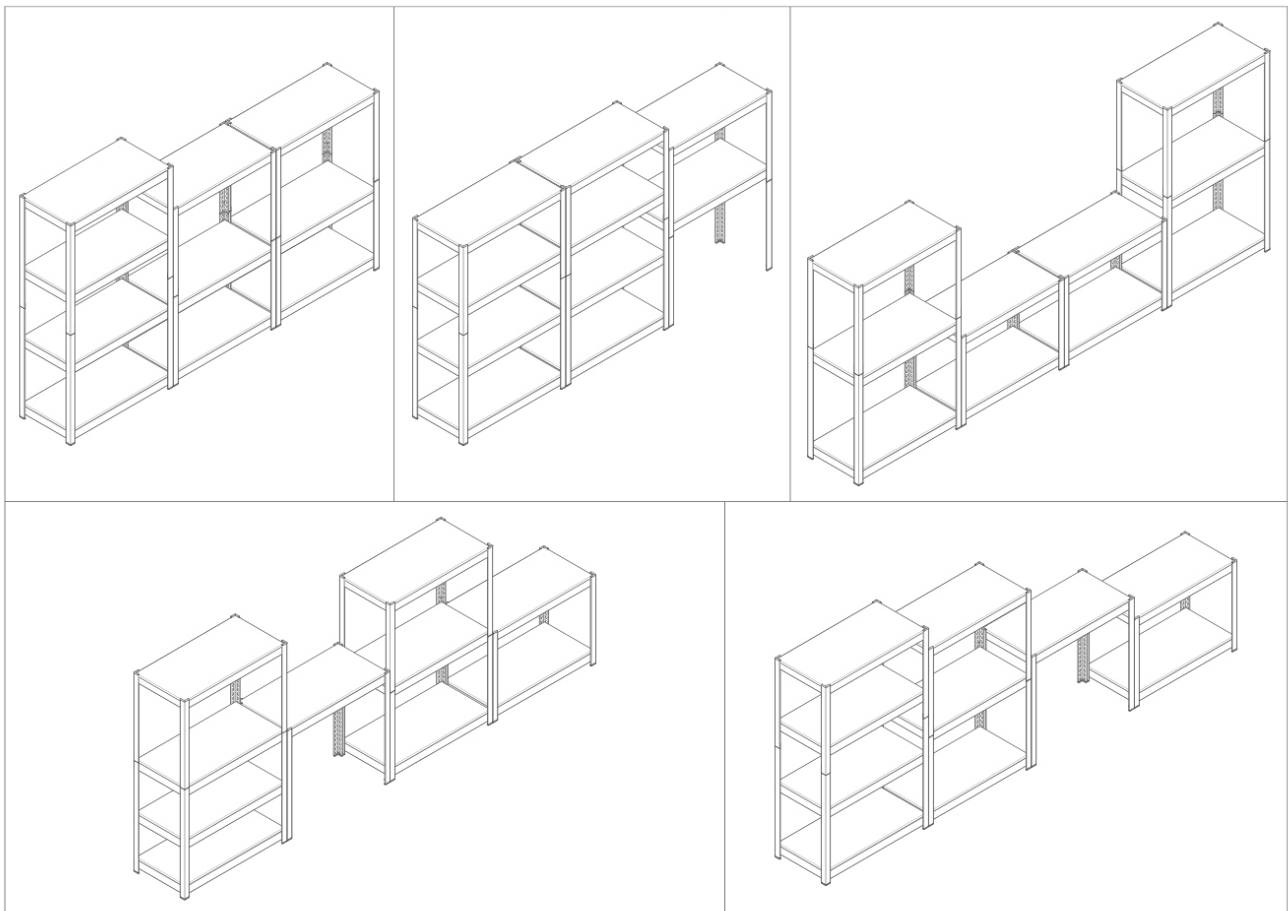
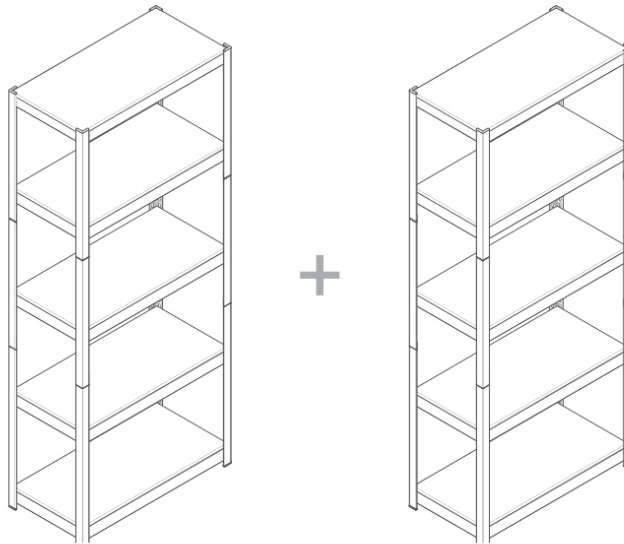
Separating Modules

To separate modules, pull one edge of the rack connector by hand, or use the end of the assembly hammer to remove it.



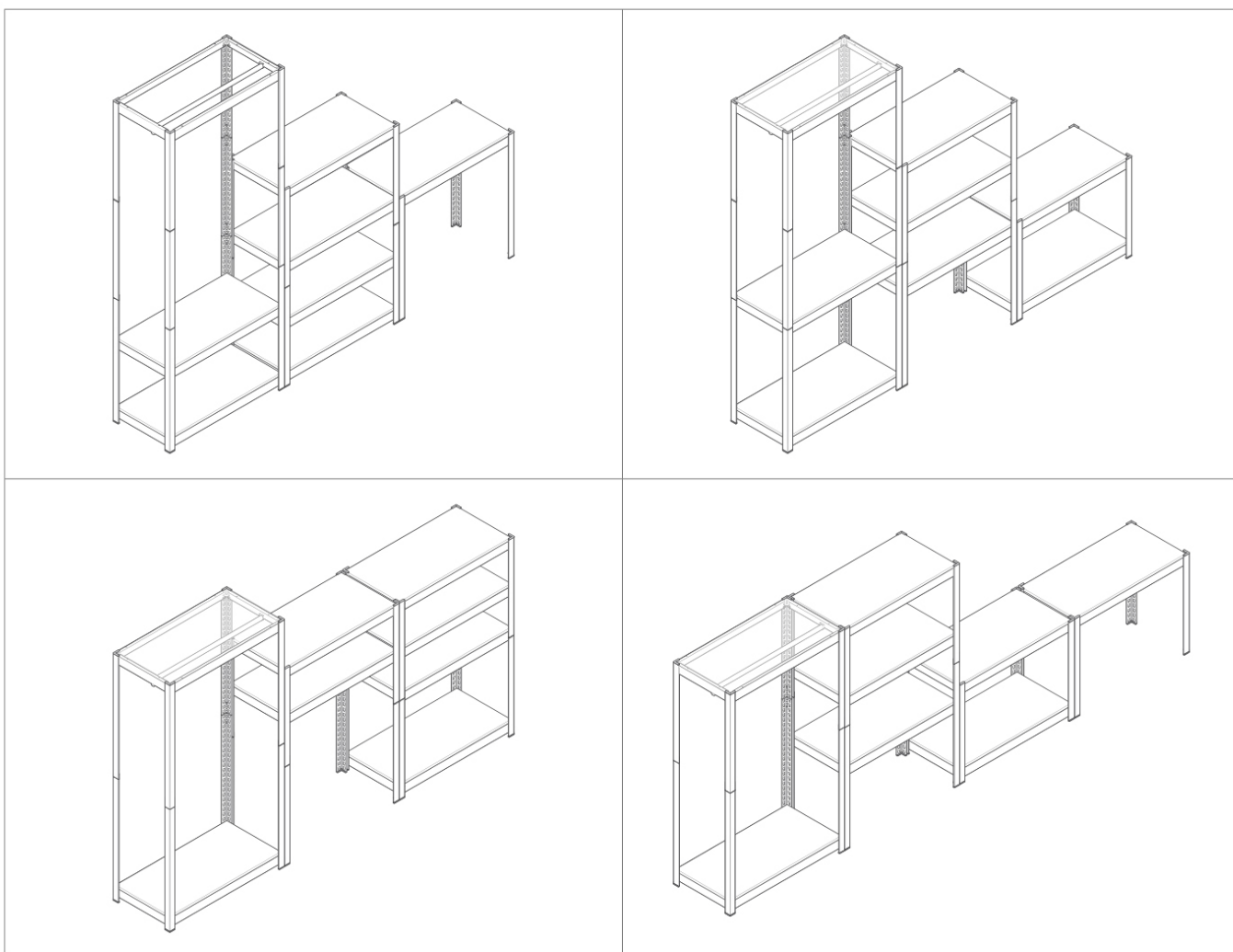
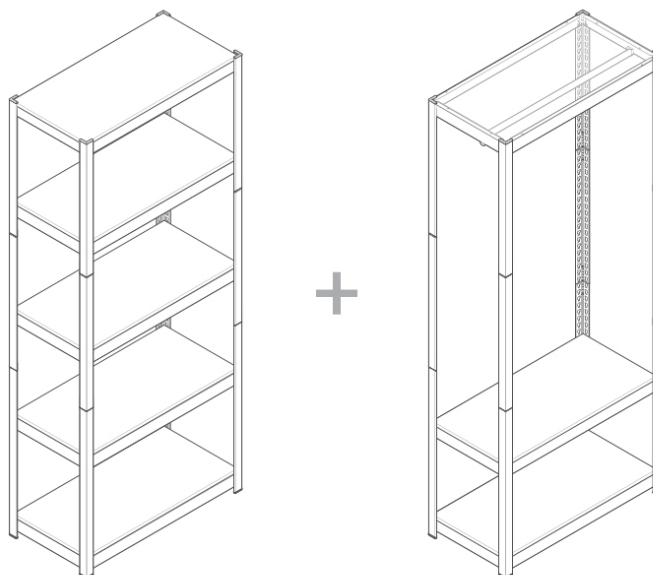
Configuration Options

4 Shelf Module + 4 Shelf Module



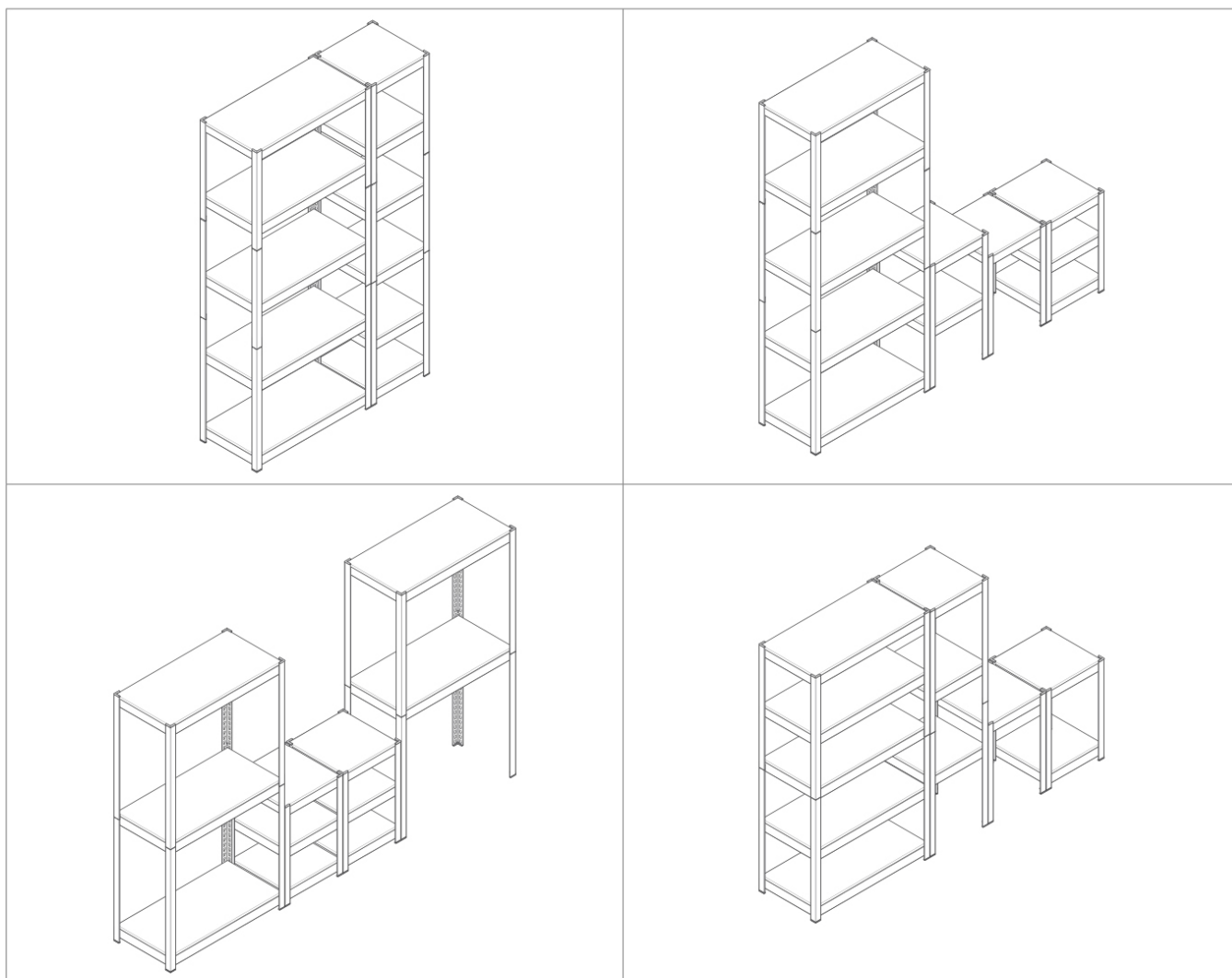
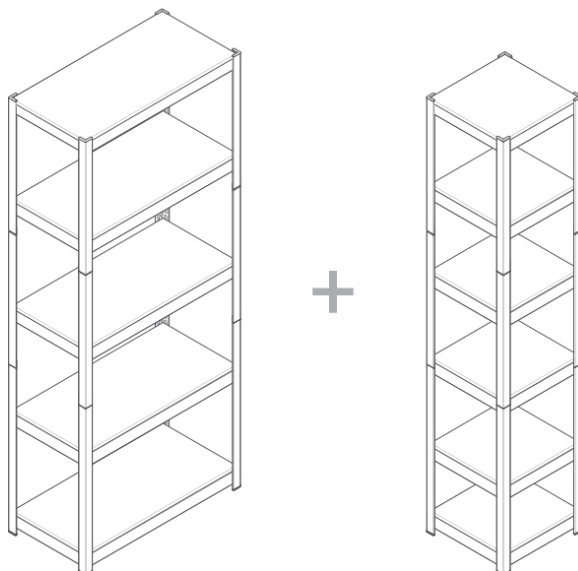
Configuration Options

4 Shelf Module + Clothing Rack with Shelves

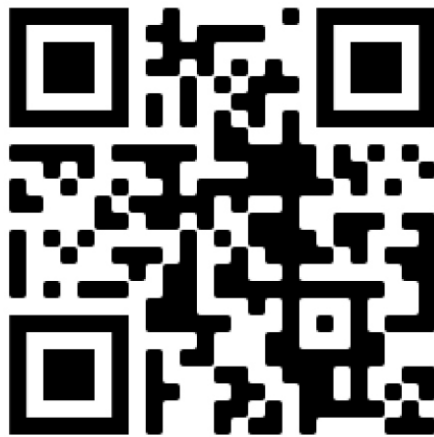


Configuration Options

4 Shelf Module + Slim 5 Shelf Module



KEPSUUL



Visit Kepsuul.com
