



East Bay Vivarium

# BALL PYTHON (PYTHON REGIUS)



This is a general care sheet and we strongly encourage gathering more information regarding captive ball python husbandry. A great way to gather this information is to connect with other keepers online in social media groups and hobbyist forums, YouTube videos, books and online care sheets. The more information you have, the happier the snake will be.

## TEMPERATURE

**Hot Side:** 88°-92°F (thermometer on ground, not on wall)

**Cool Side:** 80°-83°F

**Evening:** 78°-82°F - during colder months you can cover the top of the screen cage with aluminum foil to trap more heat or consider a "closed" top cage.

There should be thermometers on both the hot and cool side of the cage at all times.

We strongly recommend having a Min/Max thermometer on the cool side of your cage so you can monitor your overnight temperatures.

*\*If your cool side or evening time temperatures drop below these, your snake may start to refuse food.*

## WATER AND HUMIDITY

Your ball python should have a water dish large enough for it to curl up in and submerge its entire body. The water should be deep enough that when the animal exits the bowl, there will still be water remaining.

Moistened moss should be placed inside hides to aid in shedding.

## LIGHTING

For "Daytime Lighting"  
12 hours on, 12 hours off

UVB optional. If used, use 5.0 or lower.

## ENCLOSURE

**Baby/Juvenile:** Floor space of 24" x 12"  
**Adult:** Floor space of 36" x 24" minimum

Ideally, especially for adult snakes, the enclosure will be solid top to keep in more heat and humidity.

Enclosures should be escape-proof. Screen tops that fit over top the enclosure must be secured with reptile cage clips. Sliding top enclosures should have drop-pin put in place.

## HANDLING

Give new animals 3-4 days to settle in and then offer food. Avoid handling new snakes until they have fed in their new home.

Do not handle your snake for a minimum of 24-48 hours after feeding as this may cause your snake to regurgitate.

*\*If your snake regurgitates, wait a full 2 weeks before feeding again and make sure the food item is on the smaller side.*

## SHELTER

You should have a hide on both the hot and cool side of the cage. Ideally, the hides will be tight-fitting. It's best practice to make those hides humid by occasionally misting the substrate inside of them. This will ensure your snake stays hydrated and has complete sheds.

*\*Always check the snake's tail tip and eyes as these are the most problematic shed areas.*

## SUBSTRATE

Forest Floor™, which is a cypress mulch mix is an excellent substrate. Eco Earth™ can be added to this to increase humidity levels. Additionally, our Bioactive Supplies™ Grassland mix is also an excellent choice, due to its ability to retain moisture which increases humidity.

## DIET & FEEDING



Prey item should be the same thickness as the thickest part of your snake. It is best practice to transition your snake to eating thawed frozen rodents. (Live rodents have the ability to harm or cause fatal injuries to your snake.)

## FEEDING SCHEDULE

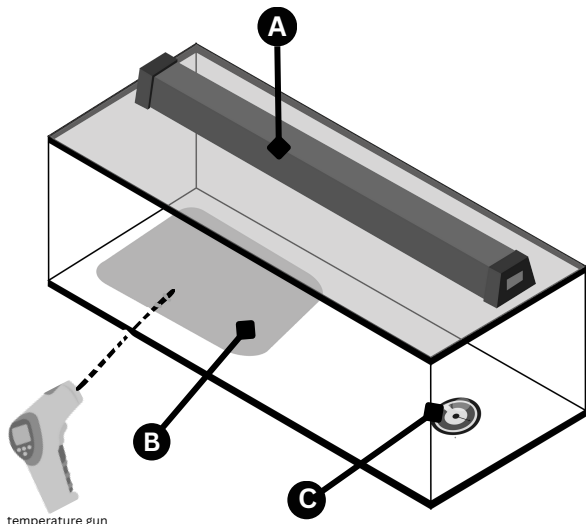
**Baby/Juvenile:** Hopper/Adult Mouse or Rat Pup every 5-7 days  
**Juvenile-Sub Adult:** Rats every 7-10 days  
**Adults:** Rats every 10-14 days

*\*If your enclosure cool side or overnight temperatures drop below our recommendations, your snake may go off feed. Sexually mature males will often go off feed and remain off feed for several months when they are in breeding mode. This is **not a concern** if the snake is not visibly losing weight and/or muscle tone.*

## MEDICAL CONCERNS

EastBayVivarium.com has several Bay Area Reptile vets listed, a nationwide reptile vet search as well as Emergency Vet information if your animal is having a medical issue.

## BOTTOM HEAT OPTION

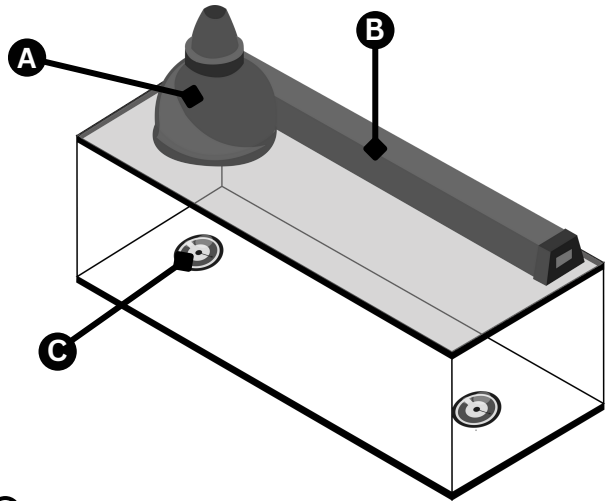


temperature gun

- (A) Lighting**  
UVB *optional*. 5.0 or lower.  
12 hours light on, 12 hours light off
- (B) Heat Mat**  
Attach to dimmer for temperature control.
- (C) Temperature Monitoring**
  - Temperature gun measures surface temperature of the heat mat.
  - Have a thermometer on the floor of each side of the enclosure to measure the air temperature of the hot side and cold side. Lay on top of substrate.

\*\* Winter months may require additional heating to raise enclosure air temperature to prevent the animal from going off feed.

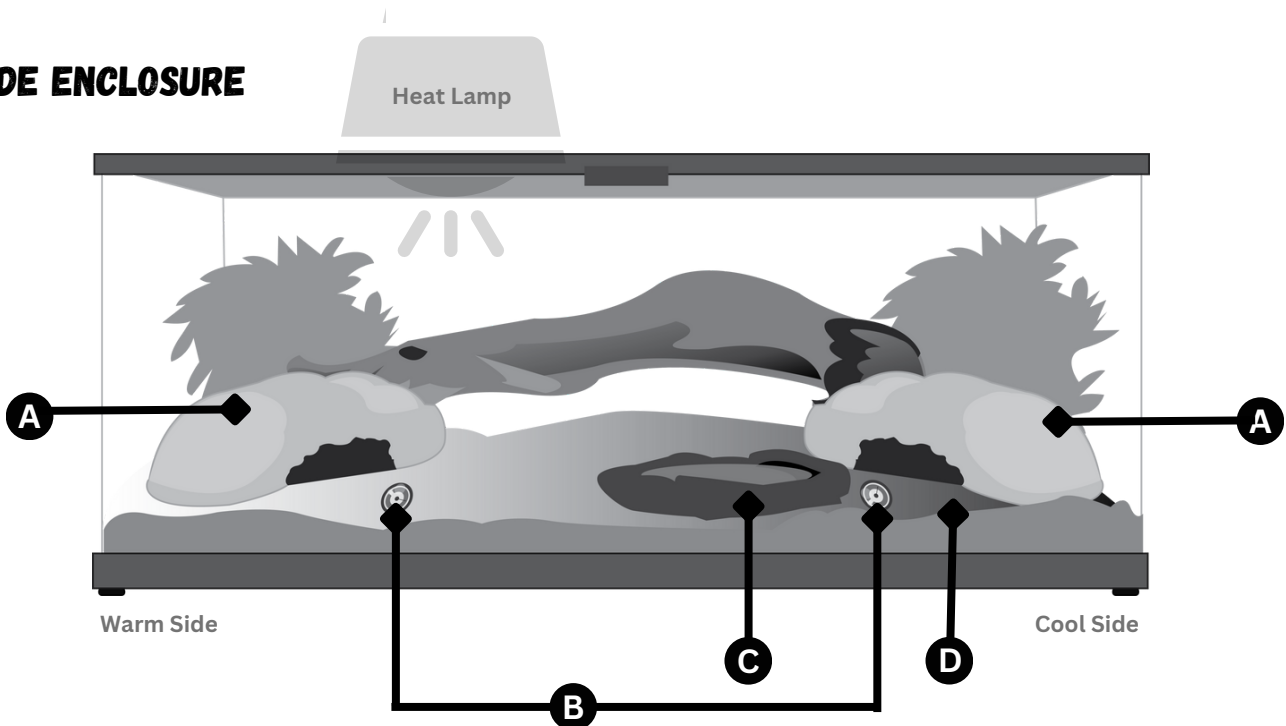
## TOP HEAT OPTION



- (A) Heat**  
Use heat bulb or deep heat projector.
- (B) Lighting**  
UVB *optional*. 5.0 or lower.  
12 hours light on, 12 hours light off
- (C) Temperature Monitoring**  
Have a thermometer on the floor of each side of the enclosure to measure the air temperature of the hot side and cold side. Lay on top of substrate.

\*\* Winter months may require additional heating to raise enclosure air temperature to prevent the animal from going off feed.

## INSIDE ENCLOSURE



**(A) Warm & Cool Hides**

**(C) Water Bowl**

**(B) Thermometers**

**(D) Substrate**

