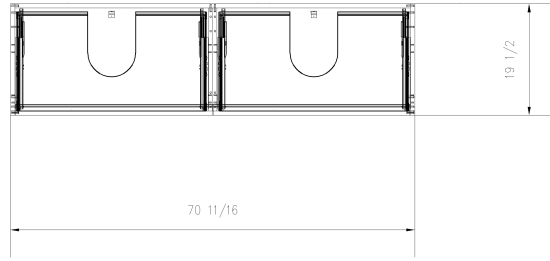
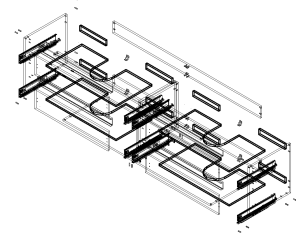


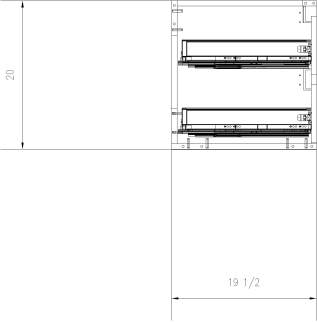
Isometric view
Realistic



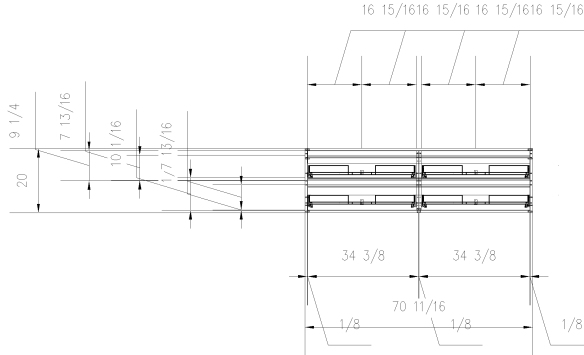
View from top: 1:10@A3
2D Wireframe



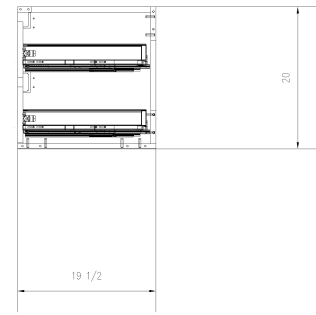
Exploded view
X-Ray



View from right: 1:10@A3
2D Wireframe



Front view: 1:10@A3
2D Wireframe



View from right: 1:10@A3
2D Wireframe

Article 1	Article 6	Article Height	Dimension 1	Address 1	Date	Article Name	Page
Article 2	Article 7	Article Width	Dimension 2	Address 2	10/18/2021	VH2DBL_GOLA	1
Article 3	Article 8	Article Depth	Dimension 3	Address 3		Article Designer Group	
Article 4	Article 9	Article Weight	Dimension 4	Zip		STANDARD	
Article 5	Article 10	Article Inventory Number	Dimension 5	Notes			1:553.5
		Dimension / Weight / Inventory Number				MERCE	

Order No	Line No	Legend ID	Style Pull	Height	Width	Depth
3058	14	GS98R - Cream				
Design Code	Description	Style Pull		Height	Width	Depth
GOLAVHDSB70.7_2	Vanity Hanging Drawer Sink Base 012	GSS - Gola SS	C1 - Wood Textured	20	70 11/16	19 1/2
NH - None						

Components						
ICN	Item Description	Material		X	Y	Z
	Right Gable	Cream		20	19 1/2	3/4
	Left Gable	Cream		20	19 1/2	3/4
	Bottom with holes	Cream		69 3/16	19 1/2	3/4
	Front Rail	Cream		69 3/16	1 7/8	3/4
	Partition	Cream		18 1/2	18	3/4
	Partition	Cream		18 1/2	18	3/4
	Back Panel	MPECORE		19 1/4	69 3/16	3/4
	Back Rail	Cream		69 3/16	4 11/16	3/4
	Back Rail	Cream		69 3/16	4 11/16	3/4
	Door	Cream		7 13/16	34 3/8	3/4
	Door	Cream		7 13/16	34 3/8	3/4
	Door	Cream		7 13/16	34 3/8	3/4
	Door	Cream		7 13/16	34 3/8	3/4
	Drawer Bottom	GSDE6.16.D		32 15/16	16 7/8	5/8
	Drawer Back	MPECORE		32 15/16	2 1/8	5/8
	Drawer Back	GSDE6.16.D		12 1/4	2 1/8	5/8
	Drawer Back	GSDE6.16.D		12 1/4	2 1/8	5/8