


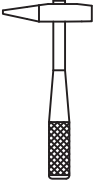




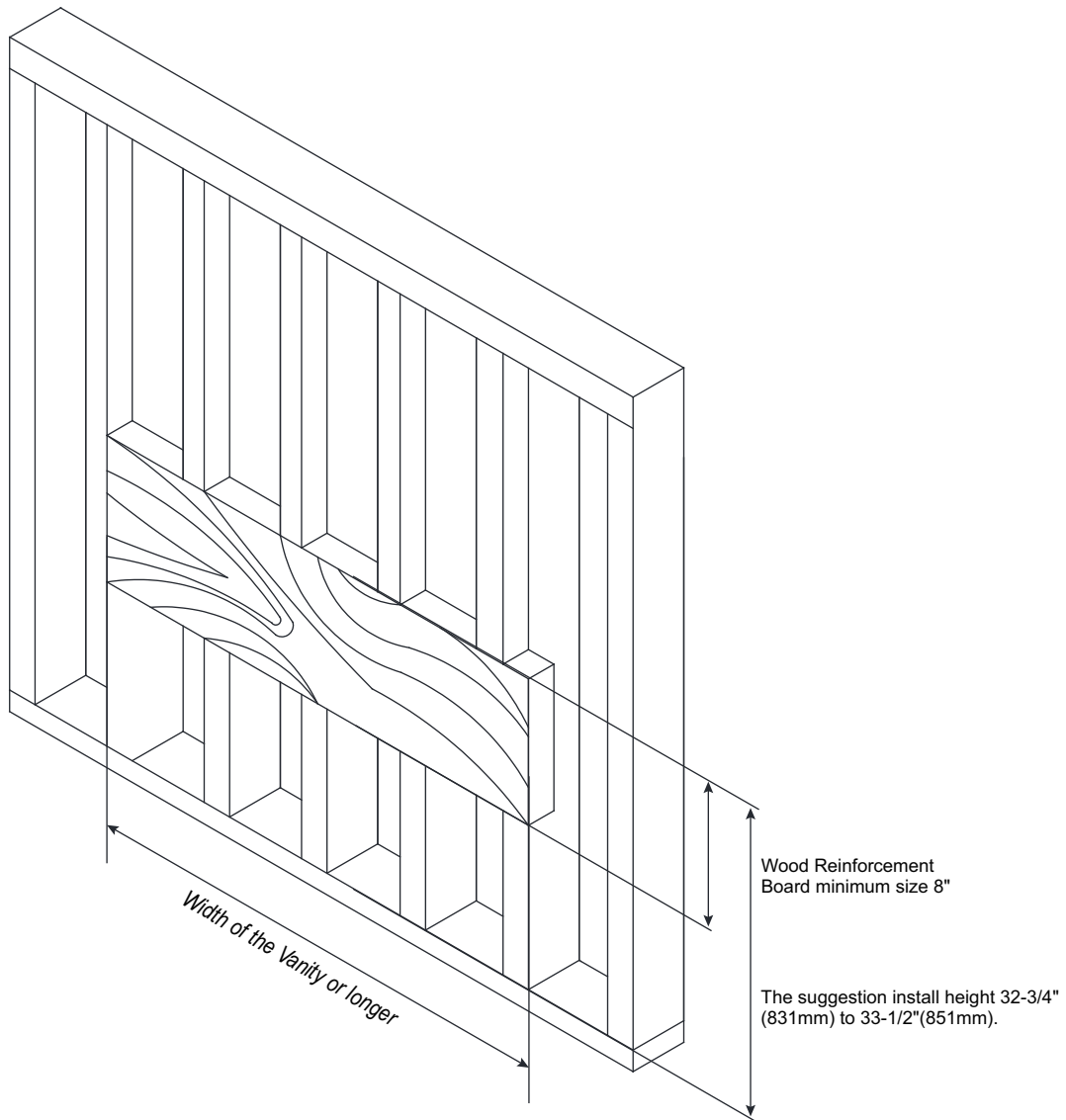


MARSEILLE FLOATING VANITY ASSEMBLY INSTRUCTIONS

Hardware				Tools (not includes)	
No.		Draw	Qty		
A	White rubber plug (∅6mm)		2pcs	  	
B	Screws (∅4 x 68mm)		2pcs		
C	Stainless steel cover		2pcs		
D	Green rubber plug		6pcs		
E	Screw		6pcs		

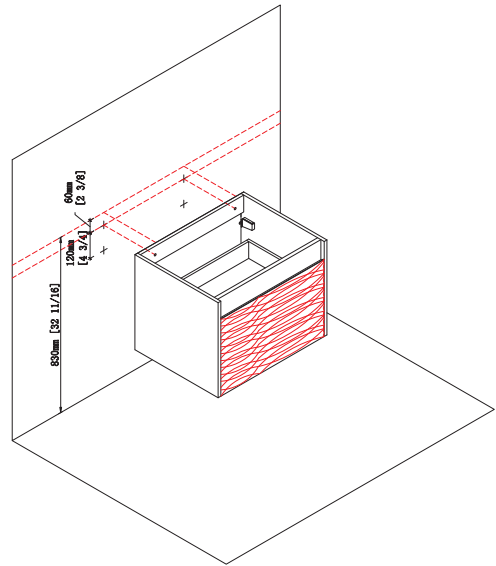
Wall Preparation

- The typical dimensions shown will result in vanity cabinet height of 32-3/4"(831mm). Depending on the sinks selected, the total height will vary from 33-1/2"(850mm) 35-1/4"(895mm). If an alternate height is desired, adjust the rough-in and backing material heights using the dimensions provided.



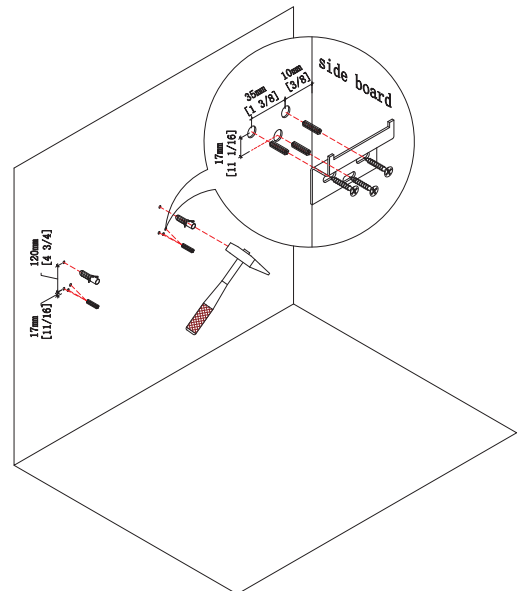
STEP 1

Draw a punched position on the wall with a pencil.



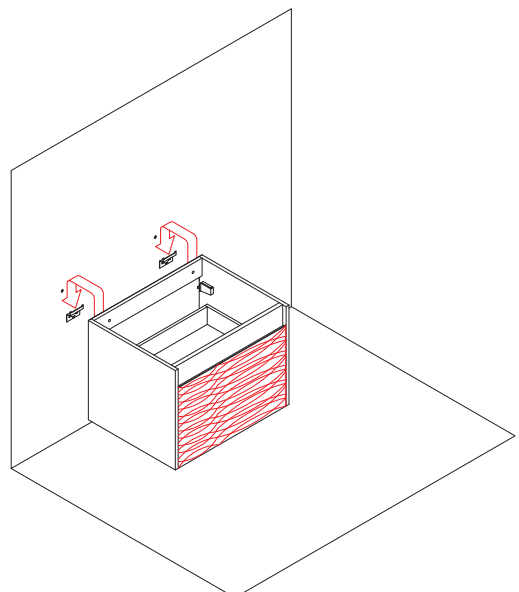
STEP 2

Drill the holes with suitable drill-bits base on different condition of the wall. Use a hammer to knock the white expansion rubber plug into the upper hole, and knock the green rubber plug into the three lower hole, align the hole in the wall and lock the leveling bracket to the wall with screws.



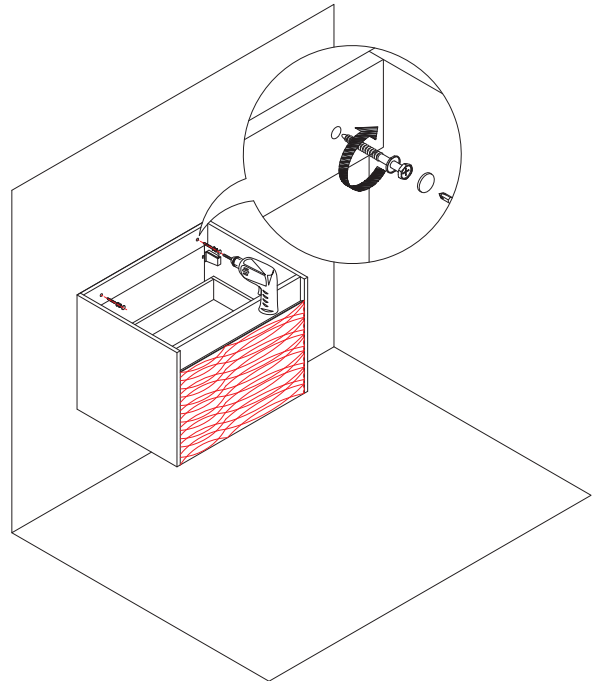
STEP 3

Hang the cabinet.(As the picture shows.)



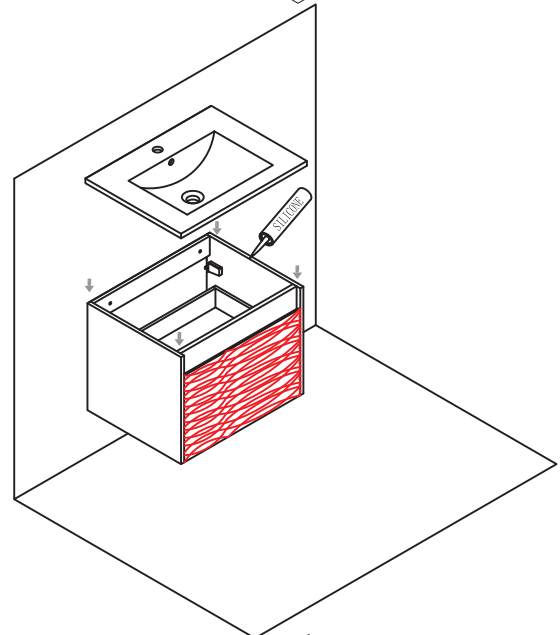
STEP 4

Secure the vanity onto the wall with screws.



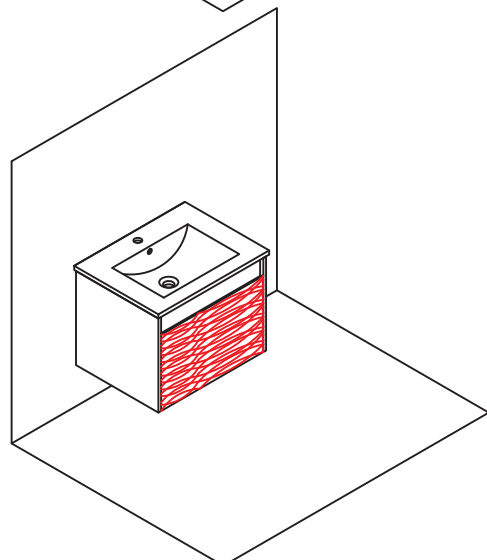
STEP 5

Install sink top with silicone.



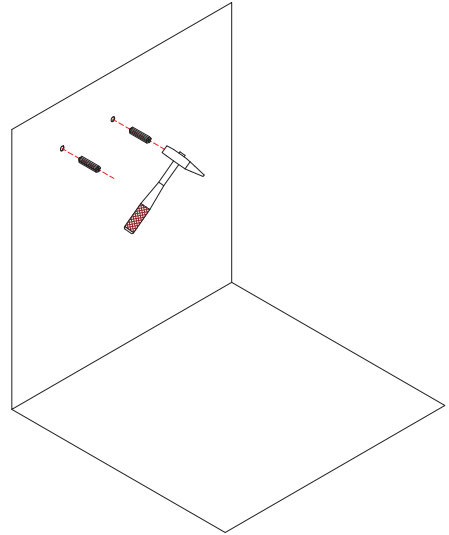
STEP 6

Finish.



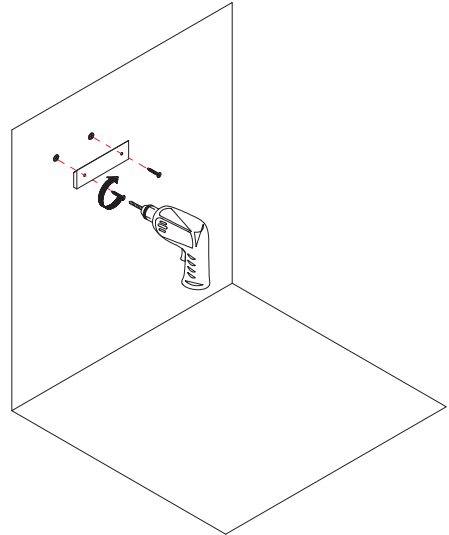
STEP 1

1. Measure the wall-hung board and mark down the holes on the wall.
2. Drill the holes with suitable drill-bits base on different condition of the wall.
3. Use a hammer to knock the green expansion rubber plug into the hole.



STEP 2

Screw the 45 degree wall-hung panel onto the wall.



STEP 3

Put up the back top panel of side vanity on the 45 degree wall-hung panel .
Finished.

