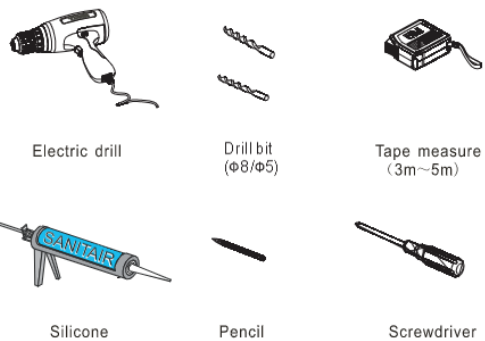
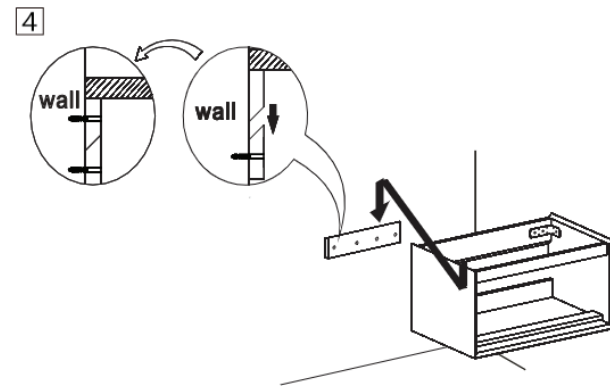
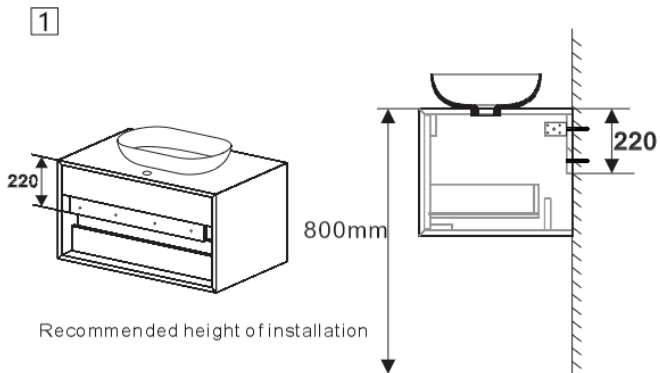
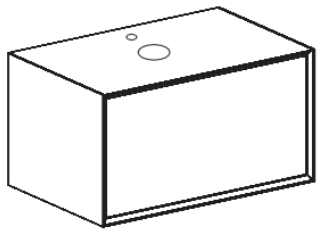
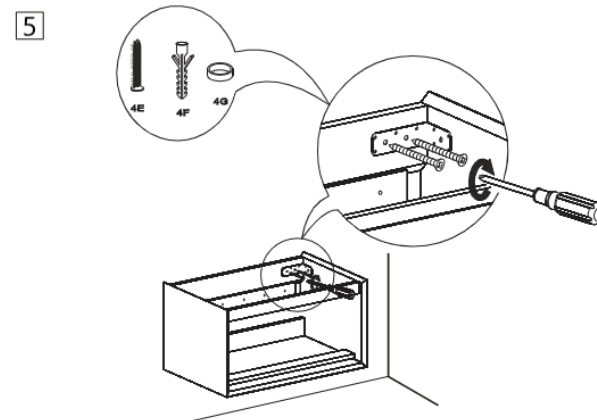
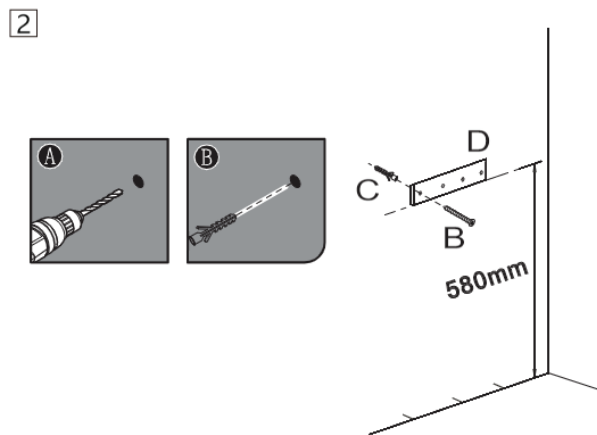


# Installation Guide



Tools required for installation



## CABINET

