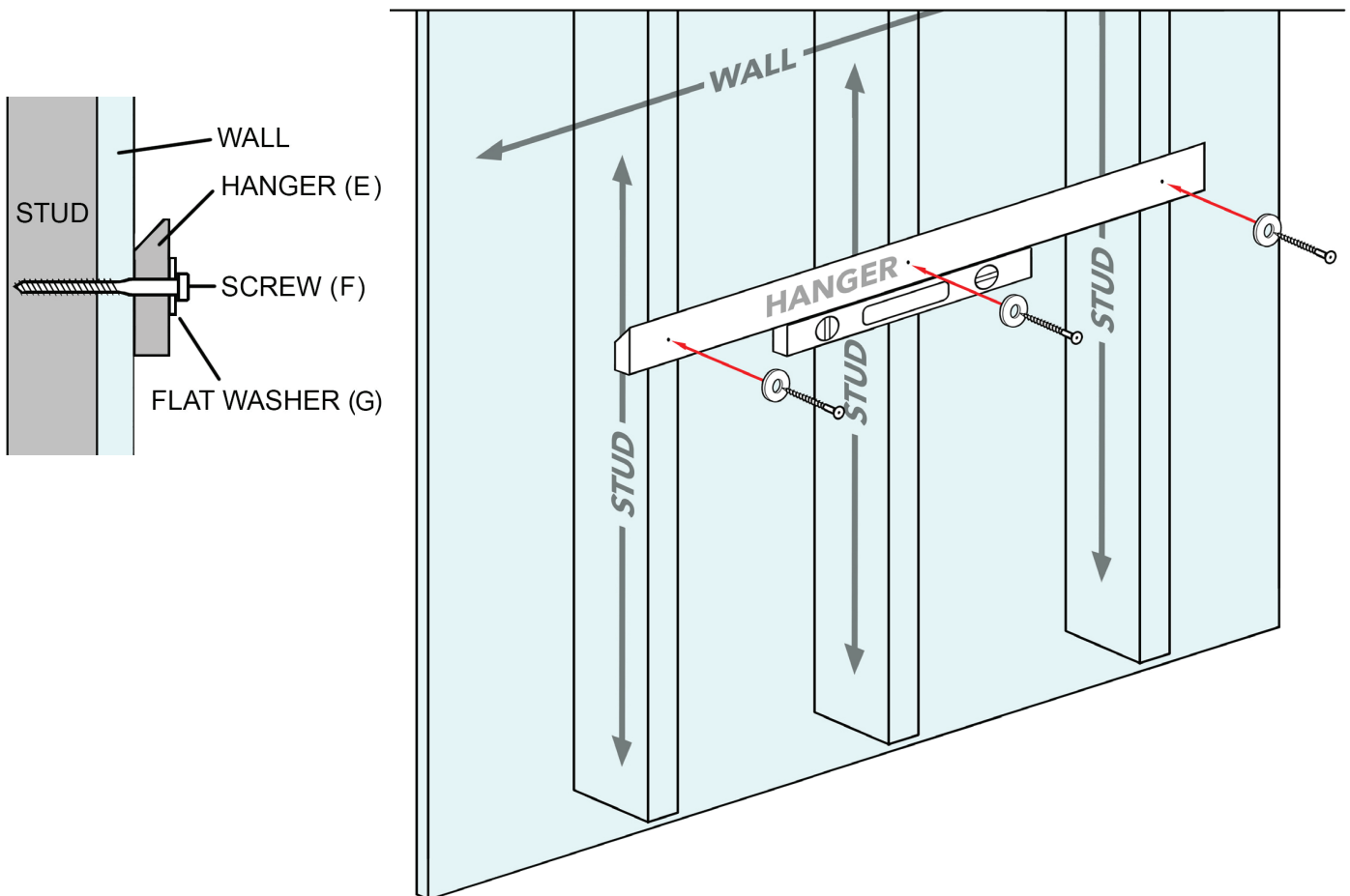




FLOATING VANITY ASSEMBLY INSTRUCTIONS

Assembly Instructions:

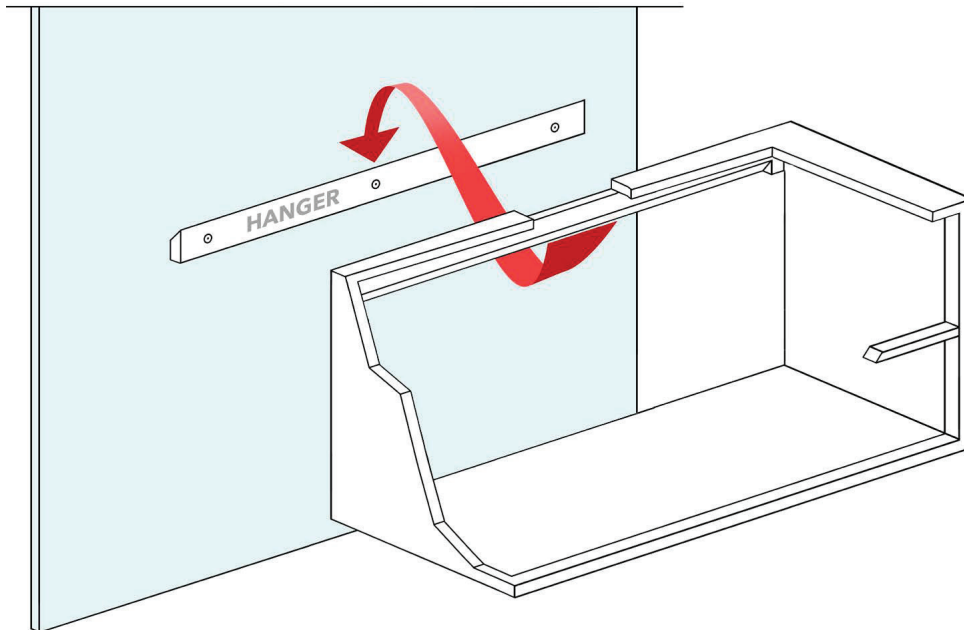
1. Hold the wood hanger (E) against the wall. Adjust and mark the position using a pencil. The distance from top of the countertop to the floor is 34"-36" inches. The wood hanger must cross three wall studs. The wood hanger must be level.
2. Mark the three screw holes on the wood hanger (E). Make sure the holes are in line with wall studs. Drill guide holes on each mark.
3. Use lag screws (F) and washers (G) to attach the wood hanger to the wall. Make sure the screws are secure in the studs.



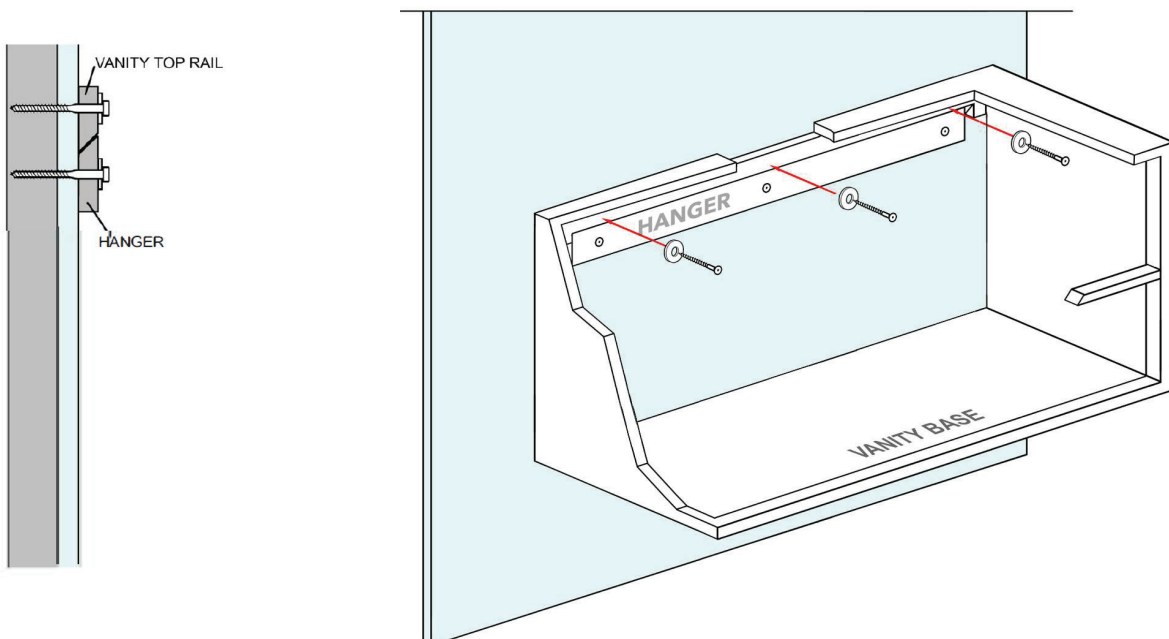


FLOATING VANITY ASSEMBLY INSTRUCTIONS

4. Remove drawers from vanity. Hang the vanity base on the wood hanger, holding the vanity in place with two people. Do not let the full weight of the vanity base sit on the wall hanger until the vanity base is also screwed into the studs.



5. While two people hold the vanity base in place, the third person marks screw placement in the top rail in the back of the vanity, making sure they are in line with the screws in the hanger and aligned with the studs. Then drill guide holes and secure vanity to the wall with lag screws and washers.





FLOATING VANITY ASSEMBLY INSTRUCTIONS

6. Install the integrated sink/vanity top by applying a dot of silicone sealant on the corners of the vanity. Position the vanity top onto the vanity and press firmly into place. Wipe away any excess sealant with a damp cloth.

