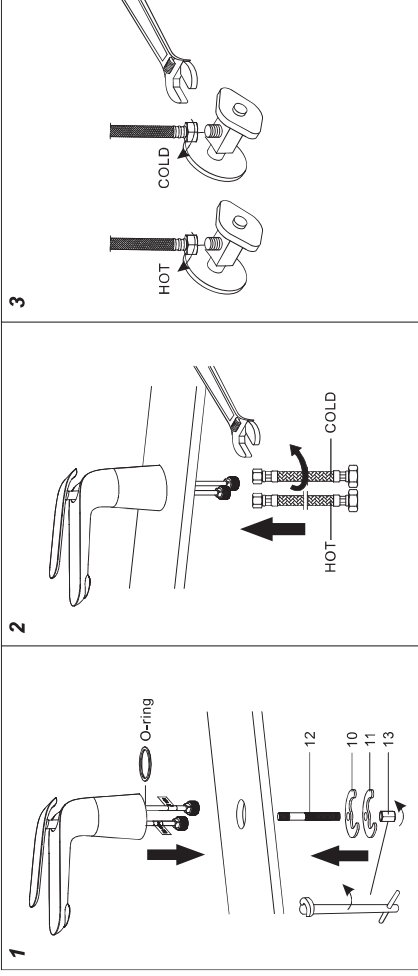
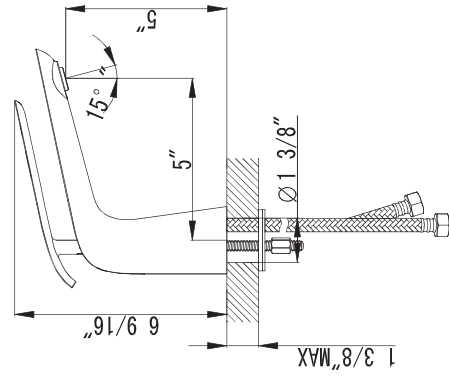


Faucet installation



1. Put the faucet into the installation hole of the basin. Make sure o-ring be on the base of faucet. Assemble screw #12 to the base of faucet, and assemble rubber washer #10 and clamp #11 to screw #12. Then assemble lock nut #13 by basin wrench to screw #12 to fix the faucet.

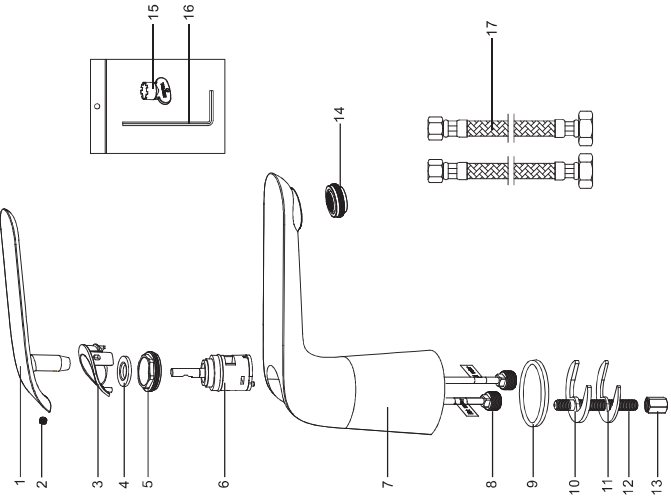
2. Assemble the 2 flexible hose to the faucet with adjustable wrench.

3. Connect the flexible hose to water supply valve (not included), and tighten it with adjustable wrench. **DON'T OVER TIGHTEN!**

Caution: make sure connect the hot and cold supply lines to supply valves correctly.

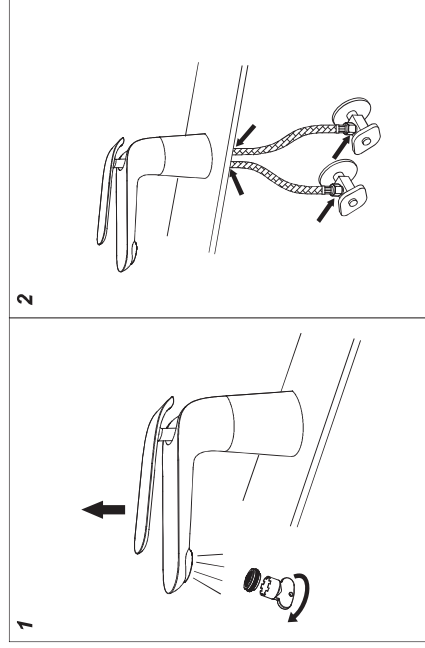
Warning: The supply valves are not included, please purchase them in plumbshop.

Parts list



NO.	PART NAME
1	Handle
2	Screw
3	Trim cap
4	Decorative ring
5	Cartridge lock nut
6	Cartridge
7	Body
8	Copper tube
9	O-ring
10	Rubber washer
11	Clamp
12	Screw
13	Lock nut
14	Aerator
15	Aerator wrench
16	Allen key
17	Flexible hose

Checking and testing



1. Remove the aerator by aerator wrench. Turn the faucet handle all the way on, turn on hot and cold water supply and flush water lines for one minute. Reinstall aerator by aerator wrench.

2. Check all connections at arrows for leaks, re-tighten if necessary, **BUT DON'T OVERTIGHTEN**