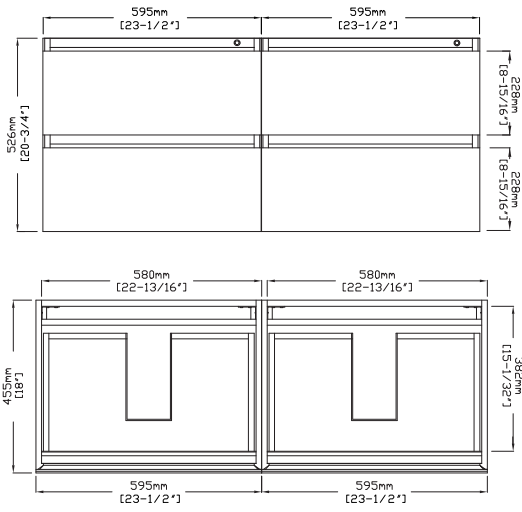


# CATALYST FLOATING VANITY ASSEMBLY INSTRUCTIONS

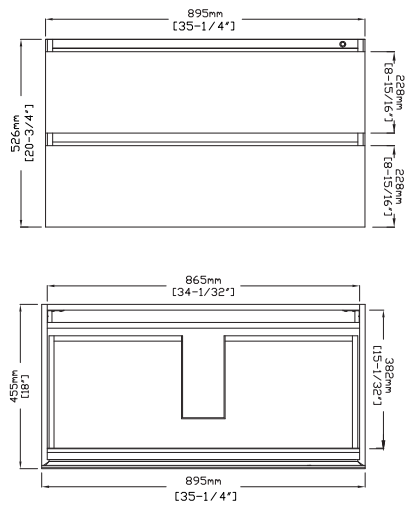
**48"**

47" X 18" X 20-3/4"



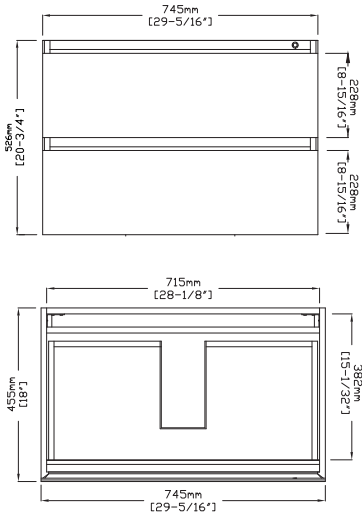
**36"**

35-1/4" X 18" X 20-3/4"



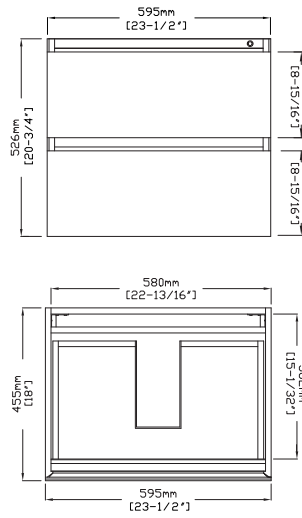
**30"**

29-5/16" X 18" X 20-3/4"

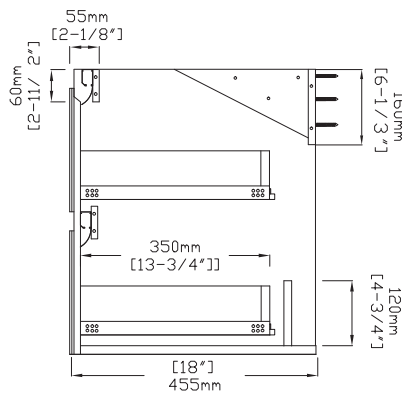



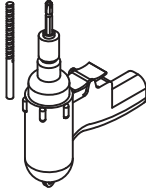

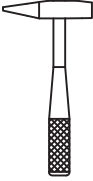
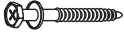


**24"**

23-1/2" X 18" X 20-3/4"



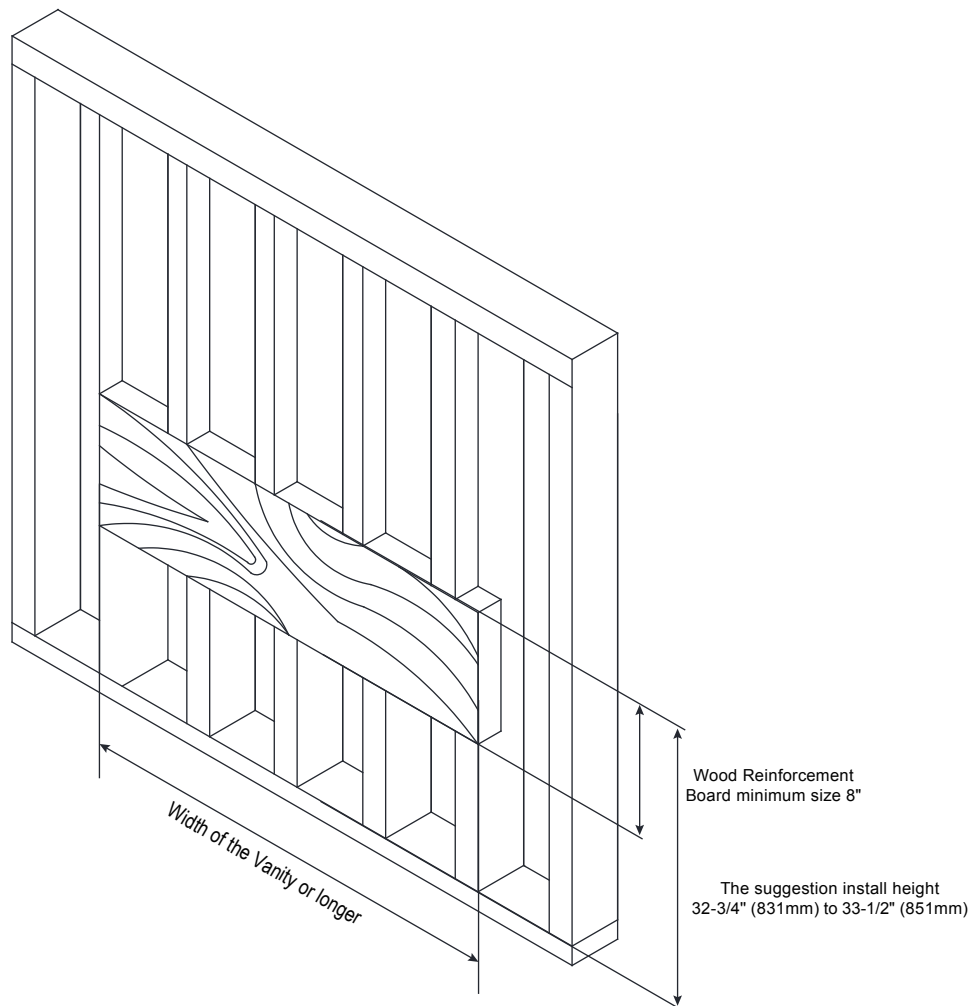
**Side View**



Hardware				Tools (not includes)		
No.		Draw	Qty			
A	Anchors		2pcs	  		
B	Lag Bolt		10pcs			
C	Leveling Bracket		2pcs			
D	Bolt		6pcs			

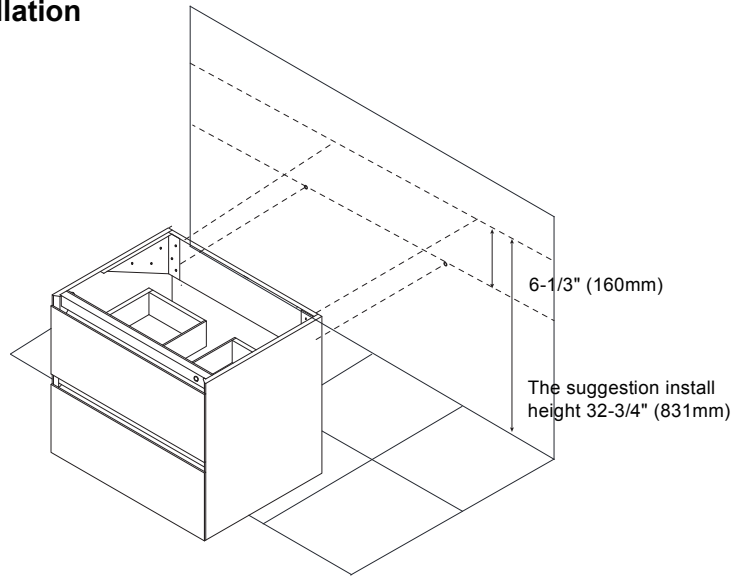
## Wall Preparation

The typical dimensions shown will result in vanity cabinet height of 32-3/4" (831mm). Depending on the sinks selected, the total height will vary from 33-1/2" (850mm) 35-1/4" (895mm). If an alternate height is desired, adjust the rough-in and backing material heights using the dimensions provided.

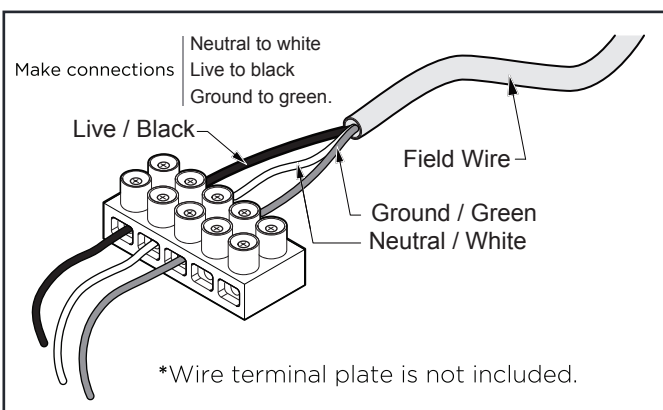
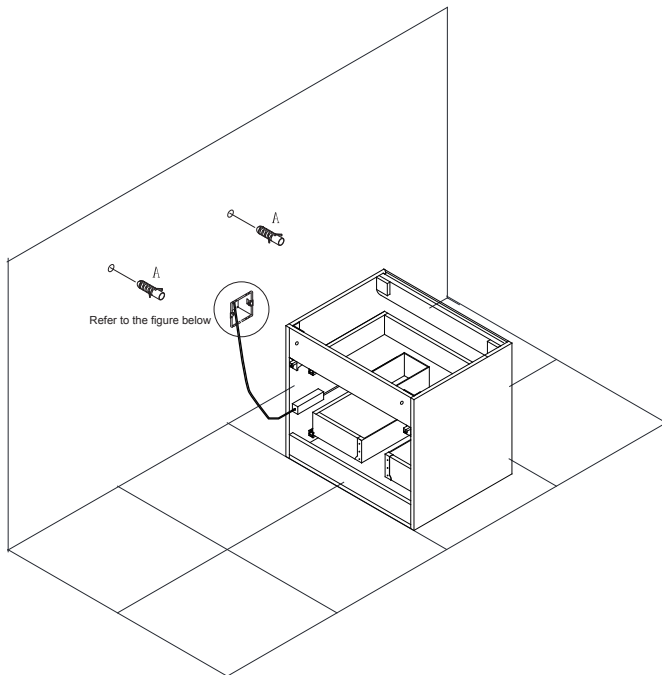


## STEP 1. Cabinet positioning and installation

- The suggestion height of vanity installation is 32-3/4" (831mm) - not including the basin.
- The height of Leveling Bracket Installation is 26-1/2" (671mm).
- Please reserve the power around 21-5/8(550mm) off ground.



## STEP 2. Leveling bracket installation & Wiring



### **WARNING: Shut off power before wiring the vanity.**



**DANGER:** READ AND FOLLOW ALL INSTRUCTIONS BEFORE USING THIS VANITY.



### **IMPORTANT SAFETY INSTRUCTIONS:**

When using an electrical furnishing, basic precautions should always be followed, including the following:



### **WARNING:**

To reduce the risk of burns, fire, electric shock or injury to persons, Use this furnishing only for its intended use as described in these instructions. Do not use attachments not recommended by the manufacturer. Never drop or insert any object into any opening. Do not use it for outdoors.



### **WARNING:**

Risk of electric shock. Connect this furnishing to a properly grounded circuit only. See Grounding instructions.



### **GROUNDING INSTRUCTIONS:**

This product must be connected to a grounded metal, permanent wiring system, or an equipment-grounding conductor must be run with the circuit conductors and connected to the equipment-grounding terminal.



**WARNING:**An Electrical option cabinet must be wired to a 20 Amp GFI (Ground Fault Interrupter) Protected circuit when used in bathrooms and all other locations required by the National Electric Code.



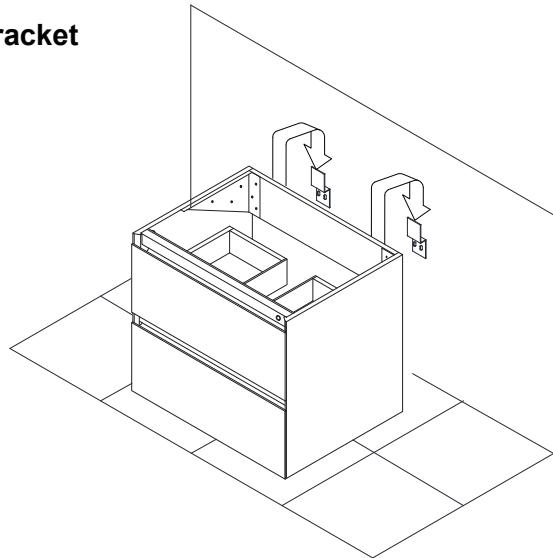
**CAUTION:** Require 120 VAC 20 Amp GFI protected circuit.

**\* PLEASE SAVE THESE INSTRUCTIONS FOR FUTURE REFERENCE**

### STEP 3.

#### Hang the cabinet on the leveling bracket and adjust it horizontally

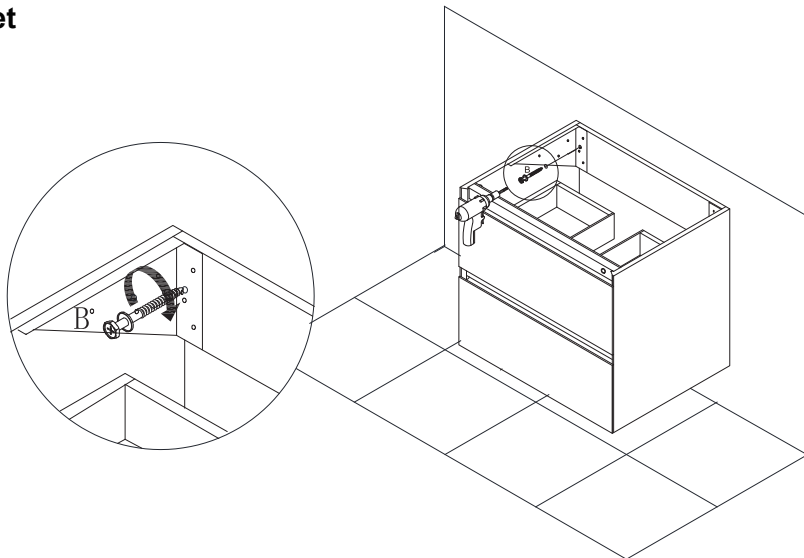
Place vanity on leveling bracket, Leveling brackets are only to level the vanity. They are not designed for permanent support. Vanity needs to be secured into the wood backing material.



### STEP 4.

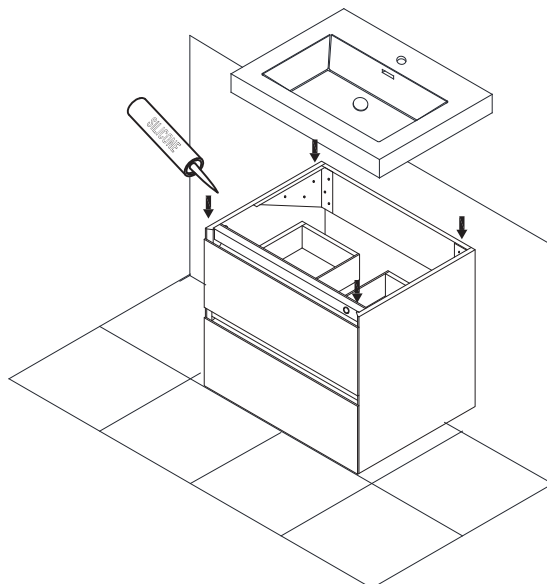
#### Fixed Cabinet

Install Lag Bolt after determined the height, left & right position then fix the Vanity.



### STEP 5.

#### Install sink top with Silicone



48"

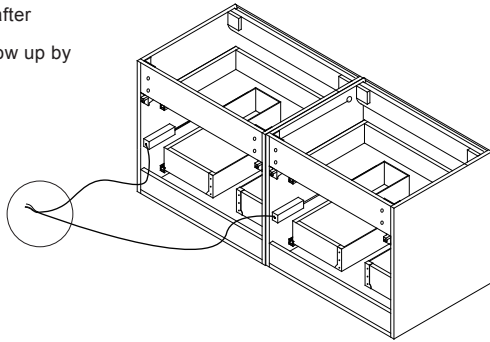
### If you need to install a 48" double basin

Please link the wiring together after combined both vanities

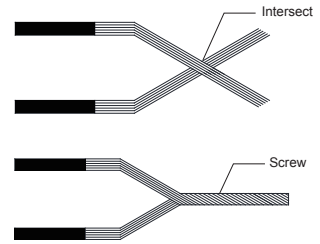
⚠ **WARNING:** Shut off power before wiring the vanity.

#### Link the wiring of both vanities

Please link the wiring together after combined both vanities and follow up by Step 2.



\* Please make sure the color of both wiring is matched.



## STEP 6.

### Finish

