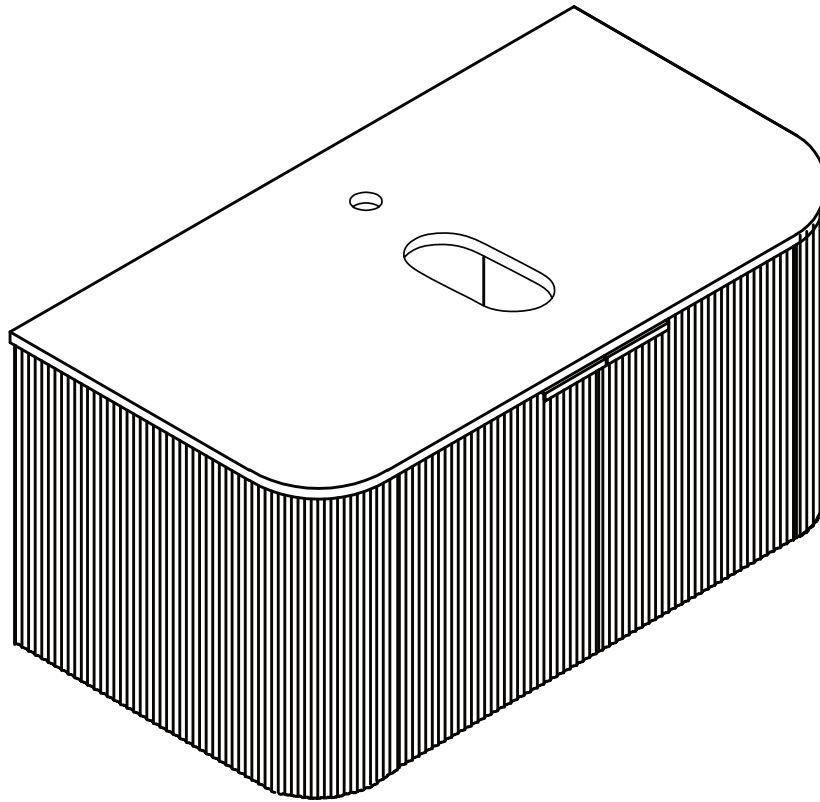


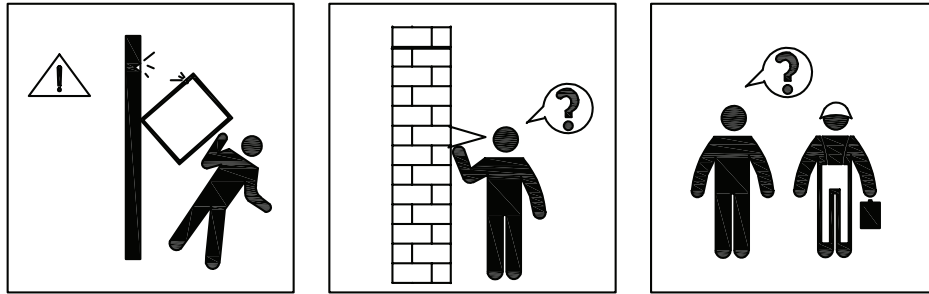
# Bellezza Floating Vanity (ARC)

Installation instructions



# Bellezza Floating Vanity (ARC)

Installation instructions



## WALL CABINET INSTALLATION

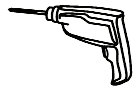
### STEP 1: SELECT HARDWARE THAT IS BEST SUITED FOR YOUR WALL TYPE

**IMPORTANT:** USE "PAN HEAD" OR "ROUND HEAD" SCREWS WITH SEAT WASHERS. SEAT SCREWS TIGHTLY AGAINST BACK RAIL OR PANEL WITHOUT DRIVING INTO BACK RAIL OR PANEL MATERIAL.

**PASO 1 :** INSTALACION DE GABINETES, SELECCIONE LA HERRAJERIA QUE MAS SE ADECUA AT TIPO DE SU PAHED.

**IMPORTANTE:** USA TORNILLOS DE "CABEZA PLANA BISELADA" O " CABEZA REDONDA" CON ARANDELAS DE ASENTO. COLOCA LOS TORNILLOS FIRMEMENTE CONTRA EL PANEL O EL RIEL. TRASERO SIN INSERTARLOS EN EL PANEL O EL RIEL

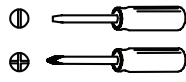
### PRE-INSTALLATION - TOOLS REQUIRED



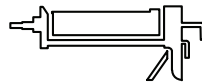
Drill



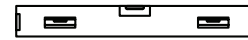
Measuring tape



Screwdriver



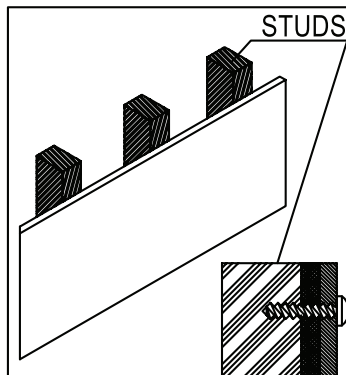
Silicone



Level



Pencil

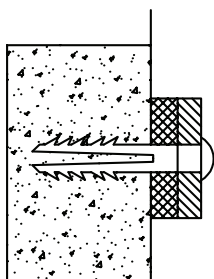


**STUDS:** Secure to wall with #10 x 3" screws at stud location. Locate at least 2 wall studs

**MONTANTES:** Fjelo a la pared con tornillos de # 10 x 3 pulgadas en los montantes. montantes.

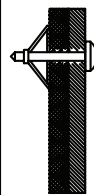
Use at least 4 wall anchors when installing a 24" and 30" cabinet.

Use at least 6 wall anchors when installing a 36" and 48" cabinet.



**CONCRETE:** Drill 1/4" holes, insert #10 wall anchors and secure to wall with #10 x3" screws.

**CONCRETO:** Taladre orificios de 1/4 pulgada, inserte anclas de expansión de #10 y fijelo a la pared con tornillos de # 10 x 3 pulgadas.

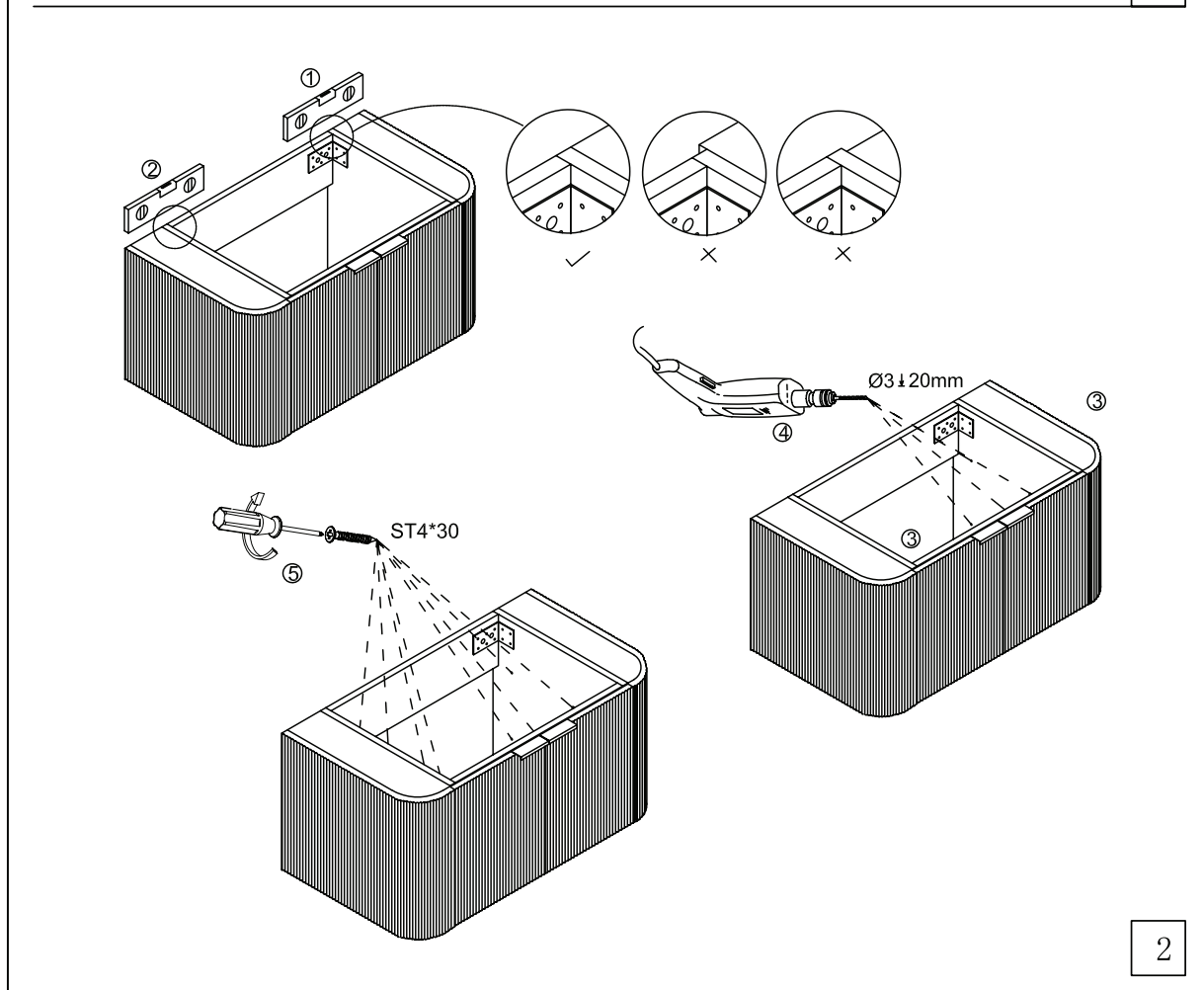
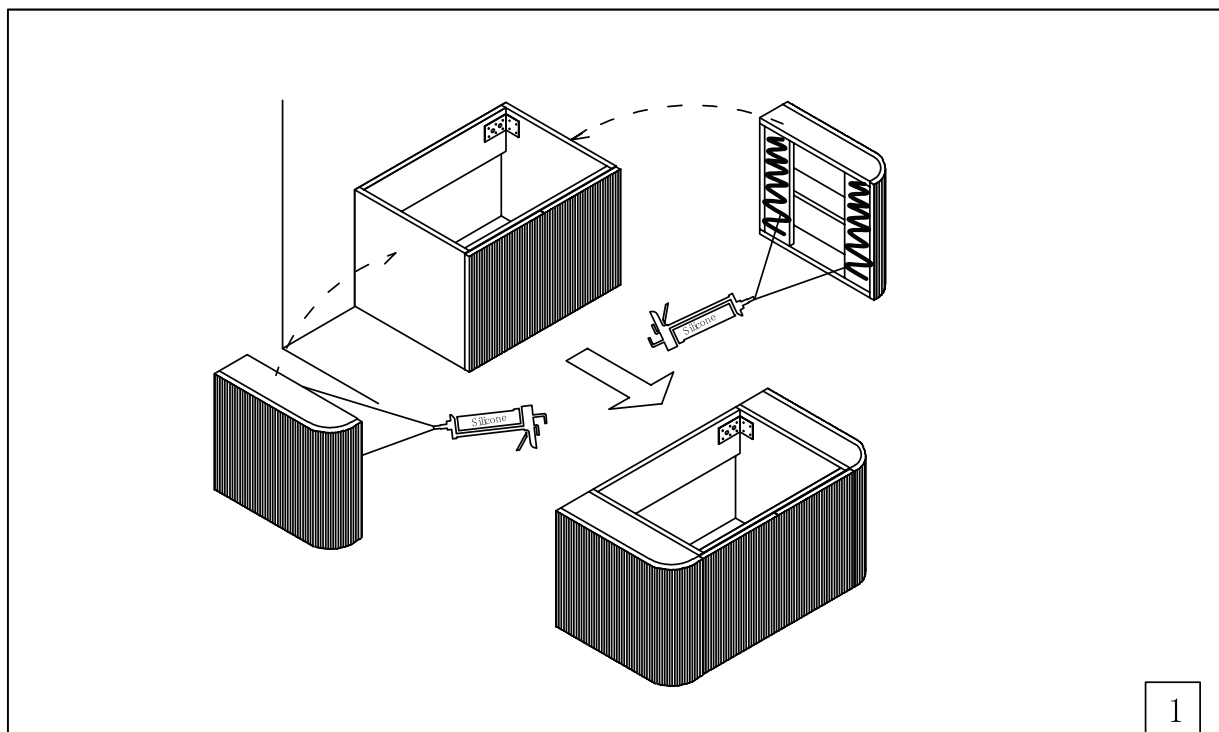


**DRYWALL:** Drill holes and secure to the wall with toggle bolts. Note: Use toggle bolts only when cabinet cannot be attached to a wall stud.

**PANEL DE YESO:** Taladre los orificios y fije la unidad a la pared con pernos acodillados. Nota: Use pernos acodillados sólo cuando el gabinete no se pueda fijar a los montantes de pared.

# Bellezza Floating Vanity (ARC)

Installation instructions

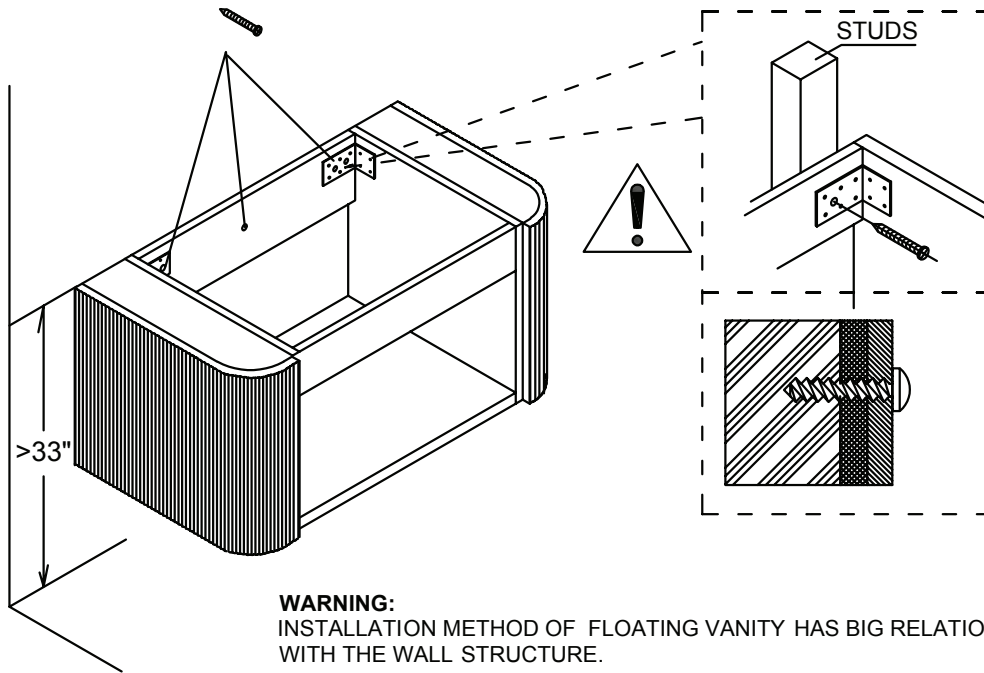


# Bellezza Floating Vanity (ARC)

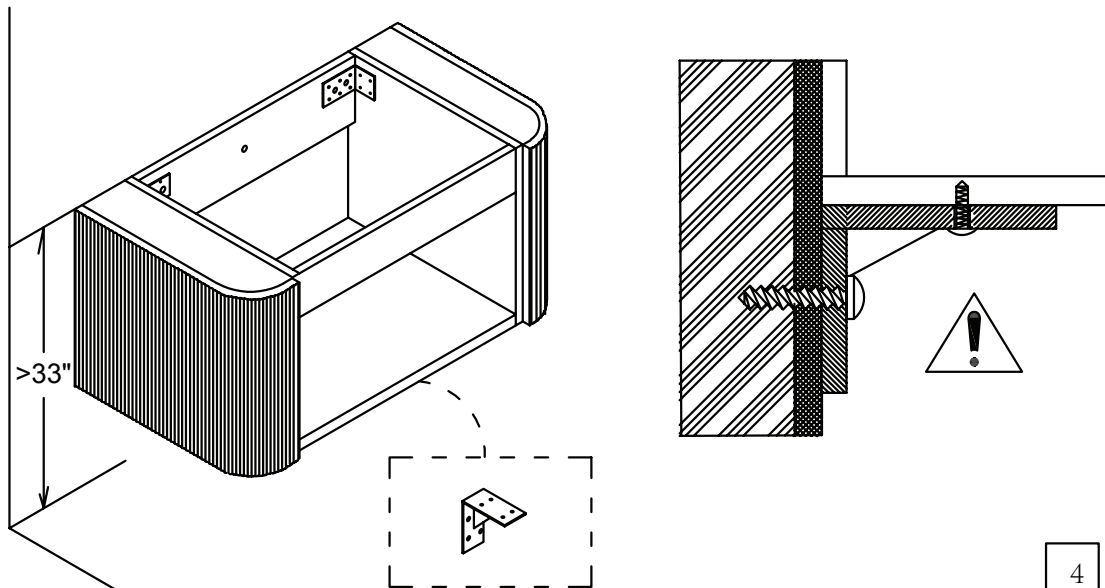
Installation instructions



A=6 PCS



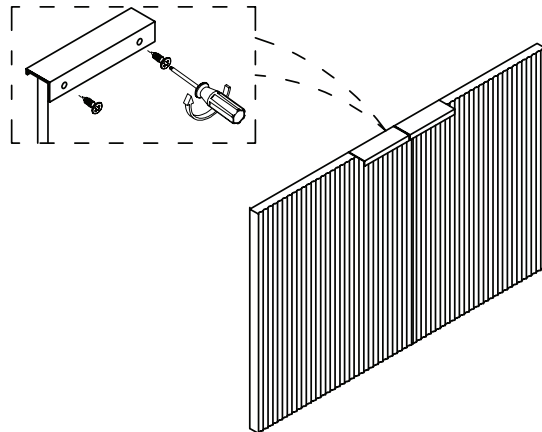
3



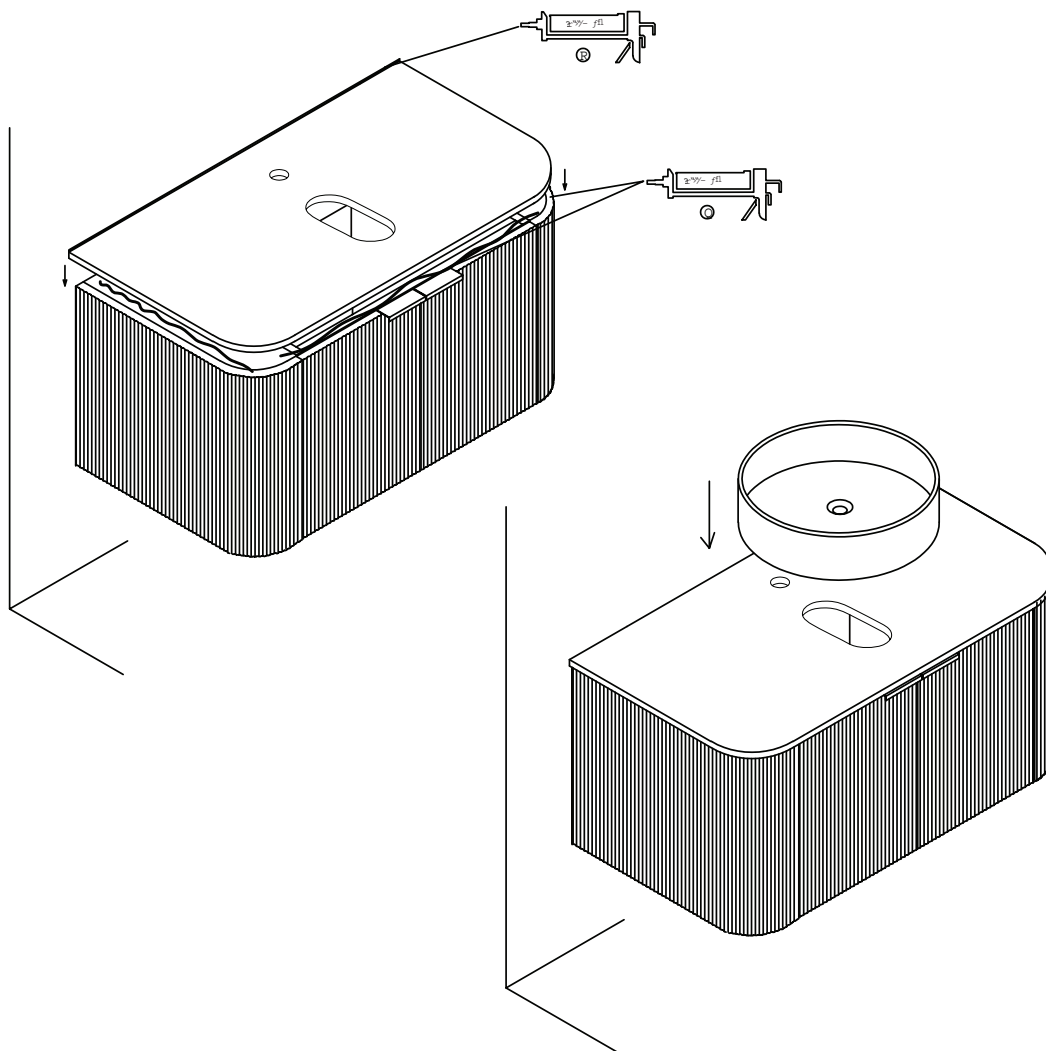
4

# Bellezza Floating Vanity (ARC)

Installation instructions



5



6

# Bellezza Floating Vanity (ARC)

Installation instructions



## HINGE/DOOR ADJUSTMENT (IF APPLICABLE)

The door alignment was set in the factory, but it could have shifted during transit. If adjustment is needed, follow the instructions provided in chart below.

Las puertas estan alineadas de fábrica, pero pudieron haberse desalineado en el envío. Si es necesario alinearlas, recomendamos ajustar las puertas según se muestra en el siguiente diagrama

