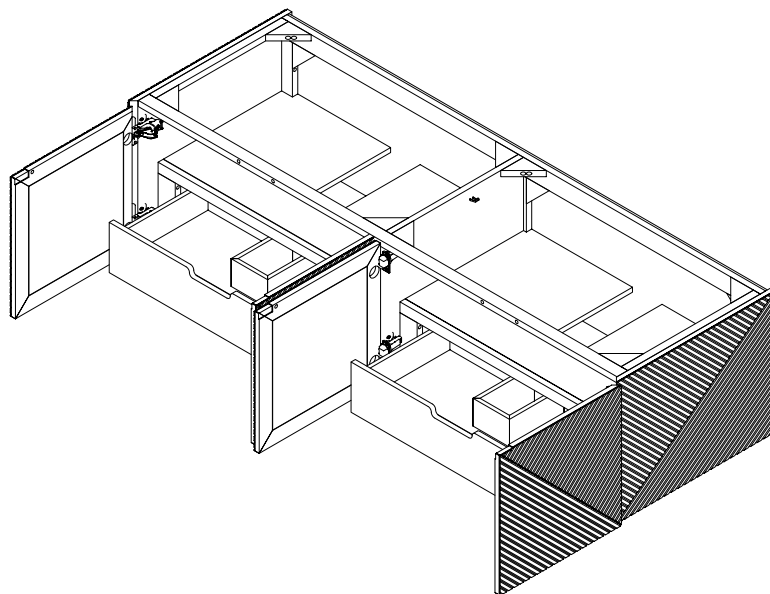
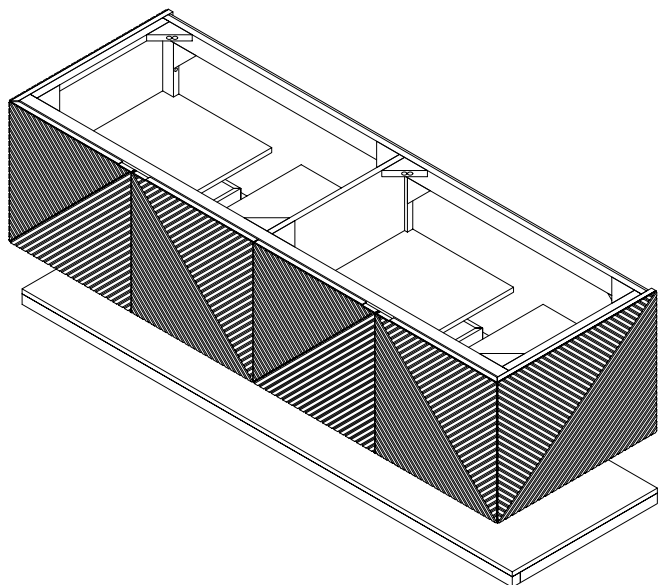




## 72" Leuven Floating Vanity



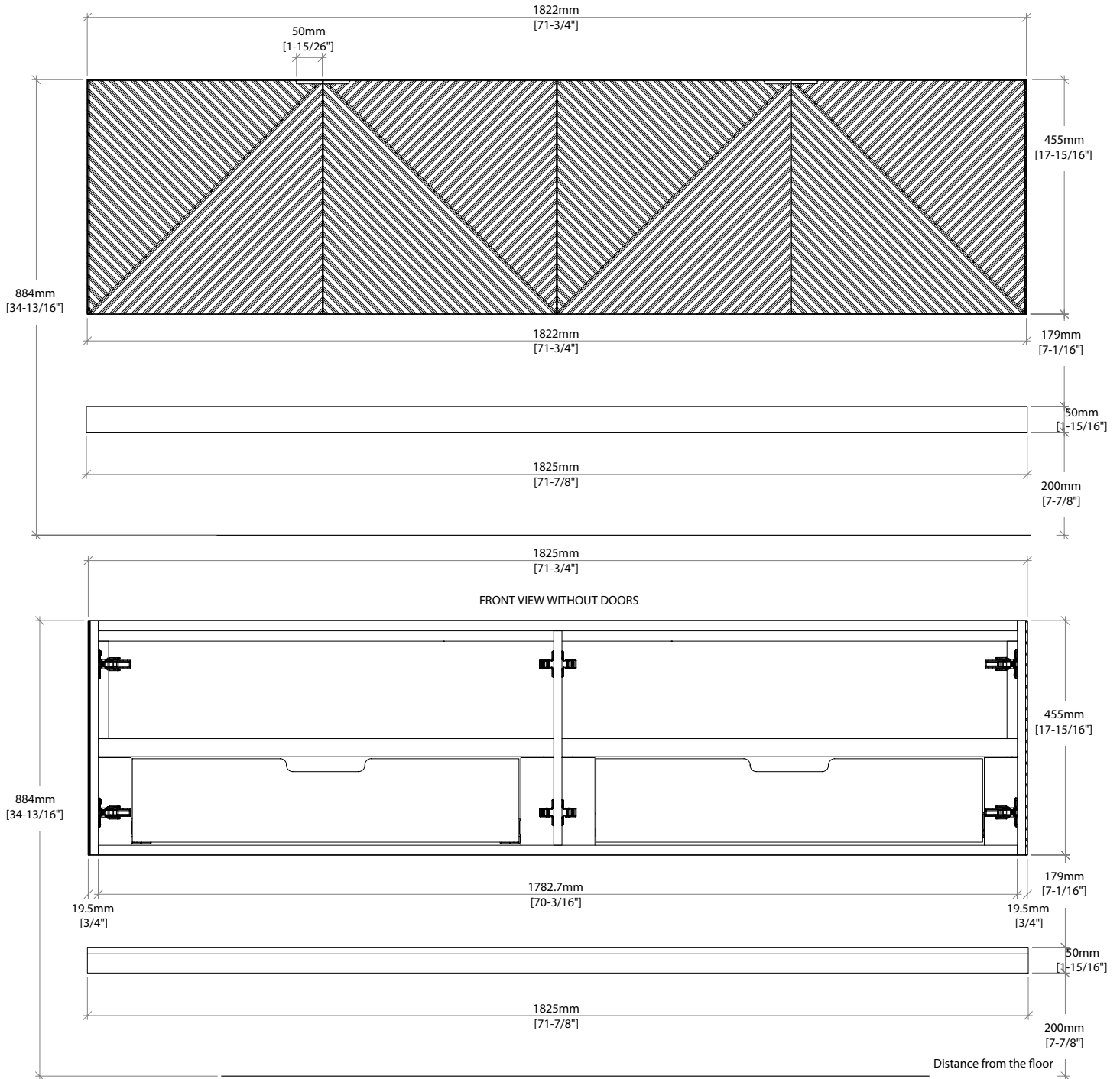
### Details and Features

Solids: Poplar  
Veneers: Acacia  
Panels: Marine MDF  
Installation Type: Wall Mount  
Number of Doors: 4  
Number of Drawers: 2 (internal)  
Shelves: 1 (fixed) (internal)  
Shelf: 1 floating  
Assembly Required: No  
Drawer Boxes: Acacia veneers over Marine MDF  
English Dovetail joinery  
Aluminum Laminate Drawer Liners  
Hardware Finish: Champagne Brass  
Full Extension, Soft Close Glides  
European Soft Close Hinges  
Vanity Top: Optional 3cm Tops available  
Number of Basins: 1  
(included with optional countertop purchase)

### Dimensions

Cabinet Width: 71-3/4" (1822mm)  
Cabinet Depth: 23-3/8" (593)  
Height: 17-15/16" (455mm)  
Rough-In: 23-1/8" (587)  
Requires a compact, bottle-style trap  
Shelf Width: 71-7/8" (1825mm)  
Shelf Depth: 21-1/4" (540 mm)  
Shelf Height: 1-15/16" (50mm)

# 72" Leuven Floating Vanity

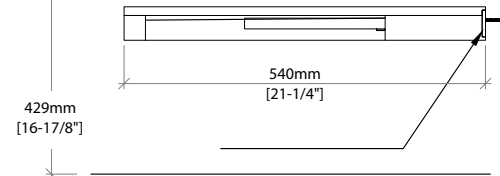
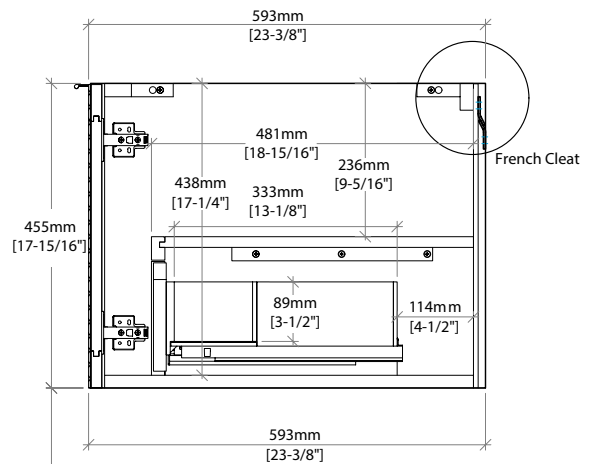
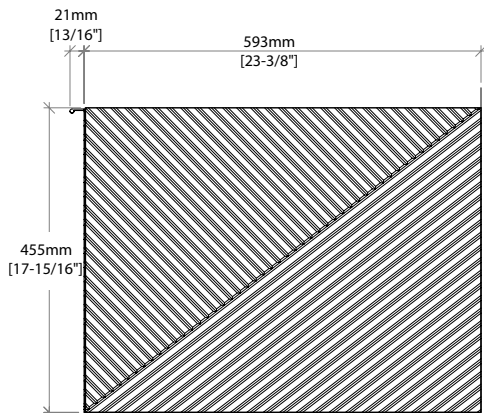
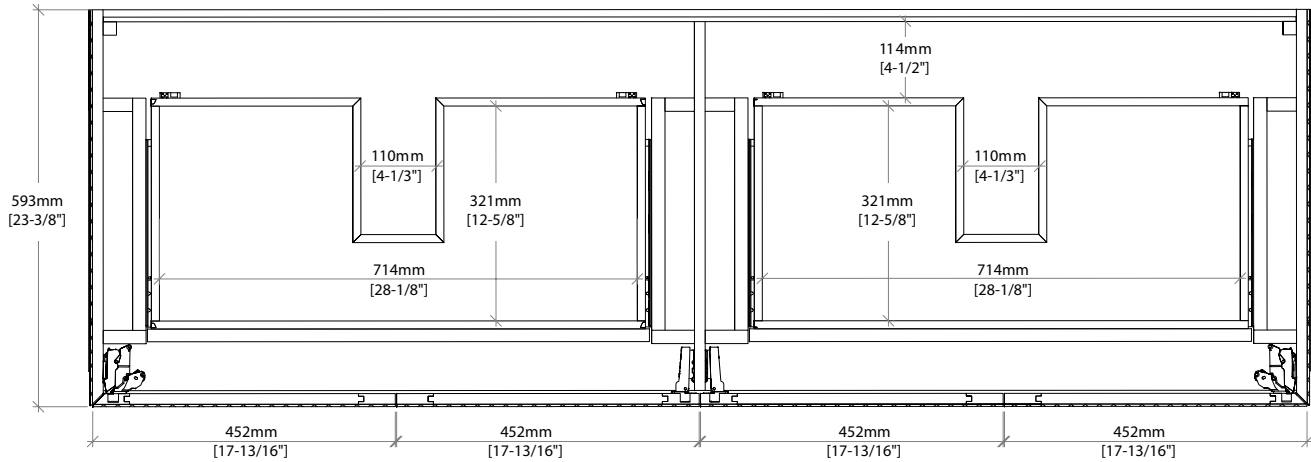


All dimensions and specifications are nominal and may vary. Use actual products for accuracy in critical situations  
Diagrams are of cabinets only - Optional Countertops and sinks are not shown.

Visit website for more information  
[www.onfloatingvanity.com](http://www.onfloatingvanity.com)



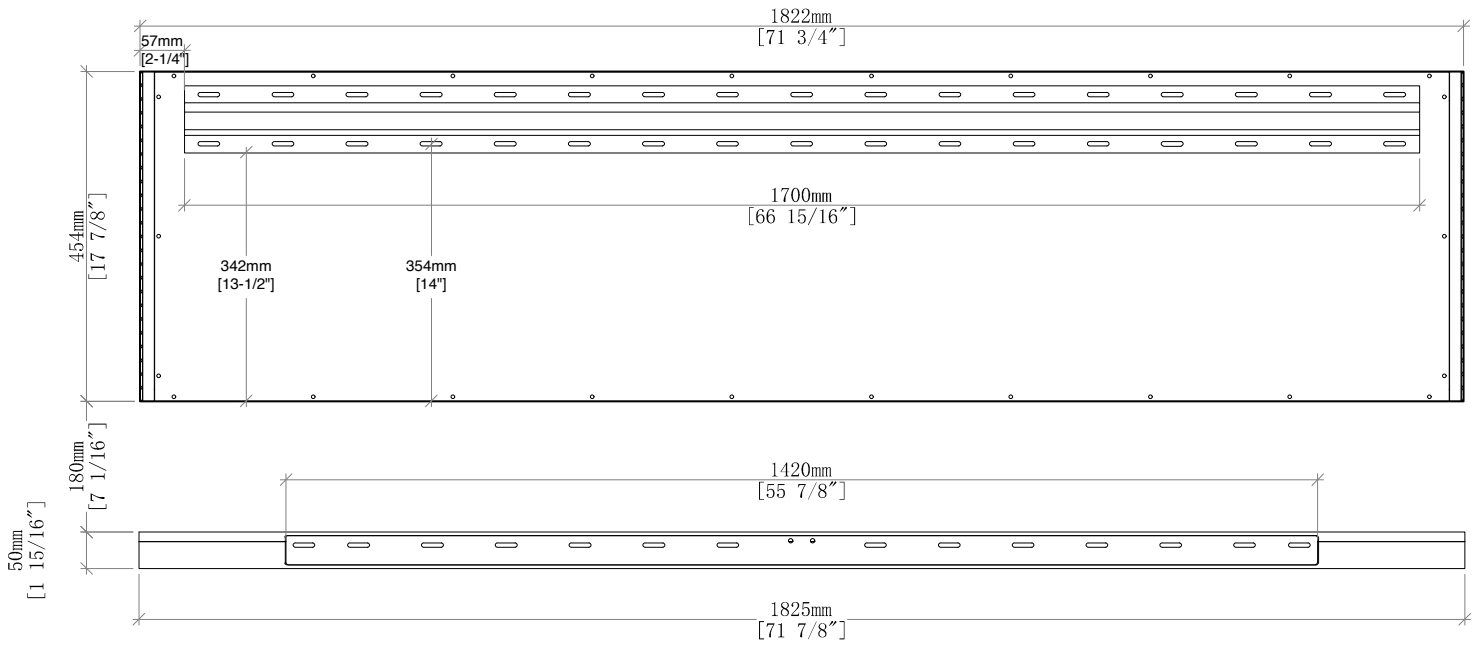
# 72" Leuven Floating Vanity



All dimensions and specifications are nominal and may vary. Use actual products for accuracy in critical situations  
Diagrams are of cabinets only - Optional Countertops and sinks are not shown.

Visit website for more information  
[www.onfloatingvanity.com](http://www.onfloatingvanity.com)

# 72" Leuven Floating Vanity



**Back view**

All dimensions and specifications are nominal and may vary. Use actual products for accuracy in critical situations  
Diagrams are of cabinets only - Optional Countertops and sinks are not shown.

Visit website for more information  
[www.onfloatingvanity.com](http://www.onfloatingvanity.com)

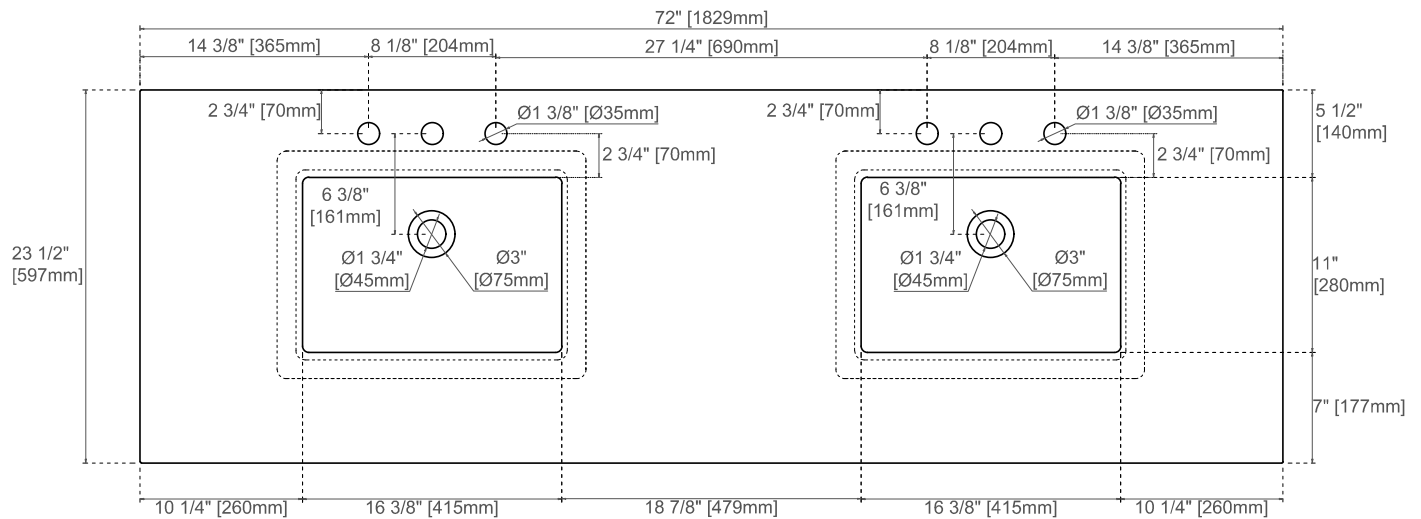
# 72" 3CM 050 SERIES SILESTONE® QUARTZ COUNTERTOPS



## Silestone® by Cosentino

Silestone is a hybrid surface of premium minerals, recycled materials, resins, and pigments that produce a hygienic, high-performance, stain and scratch-resistant surface.

The production process of Silestone employs an innovative and sustainable technology known as HybriQ. This groundbreaking technology employs an innovative hybrid composition that significantly reduces the utilization of crystalline silica, ensuring that it does not exceed 50%. This revolutionary formulation is meticulously crafted utilizing 99% recycled water and 100% electrical energy derived exclusively from renewable sources.



**All dimensions are nominal**

Visit website for more information  
[www.onfloatingvanity.com](http://www.onfloatingvanity.com)

# 3CM 050 SERIES SILESTONE® QUARTZ COUNTERTOPS



## Silestone Care and Maintenance

Silestone's hybrid composition consisting of premium minerals, quartz, and recycled materials makes it highly resistant to stains, preventing them from penetrating the surface and making daily cleaning easy and quick.

**Routine Care:** Simply wipe your Silestone surface with soap and water on a regular basis to maintain its beauty. For deeper cleaning, use any Ph-balanced (less than 10) general-purpose household cleaner. Q-Action cleaner is especially effective for the disinfection of kitchen countertops.

Using sealants and water repellants is not necessary to maintain the original sheen of your Silestone quartz top. Avoid using these products as they can create an undesirable build-up over time. If the surface of your Silestone countertop loses sheen, you may apply food-safe furniture spray.

**Light Stains:** Apply a small amount of a general-purpose household cleaner to the stain, let sit for 2 minutes and rub with a non-scratch scouring pad. Rinse immediately with water. For stains that harden as they dry, remove by gently scraping the surface with a razor blade or putty knife, holding it upright to avoid scratching the surface. Clean using warm, soapy water and rinse thoroughly.

**Difficult/Stubborn Stains:** The following products may be applied and let stand for 10 minutes before scrubbing and rinsing thoroughly. Caution should be exercised in the handling and storage of these chemicals.

Lacquer Thinner – Rubbing Alcohol – Ammonia – Mineral Spirits

**Hardwater Stains:** Apply a paste from equal parts baking soda and white vinegar. Let sit on the surface for 10-20 minutes and rub with a non-scratch pad. Rinse immediately with water.

## General Precautions

### Avoid using the following:

- Chlorine-based products
- Degreasing agents such as those used in oven cleaners
- Products high in alkaline (Ph over 10)

### Heat Precautions

Although Silestone can withstand high temperatures for short periods of time, its performance varies with respect to different factors like thickness, color, location, etc. For this reason, it is not recommended that the product be exposed to sustained contact with a heat source, like curling irons, nor should hot saucepans, frying pans, deep-fat fryers, etc, be placed on it. The use of a hot pad or trivet is recommended in such situations.

### Sun Exposure

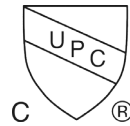
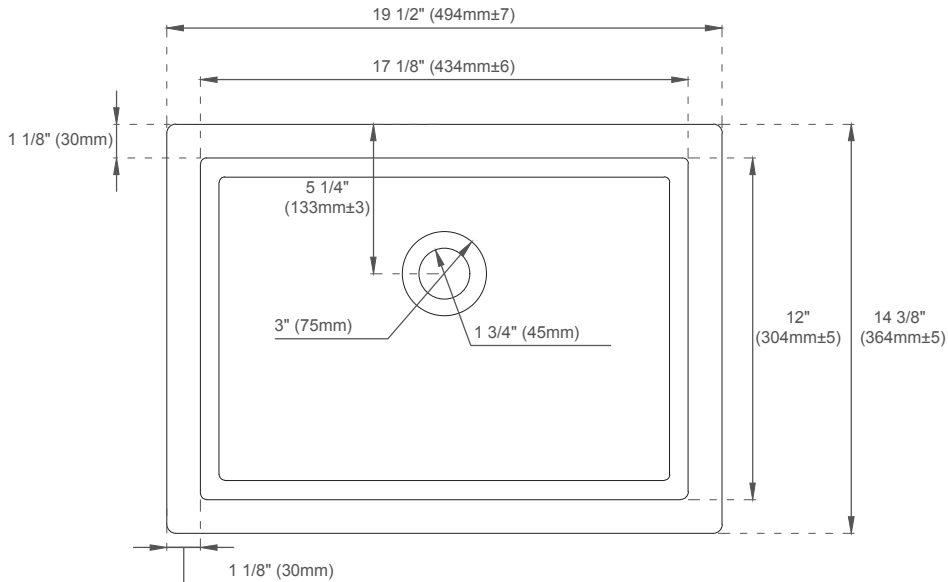
- Silestone quartz is not intended for outdoor use
- Avoid places with UV lighting

### Repairs

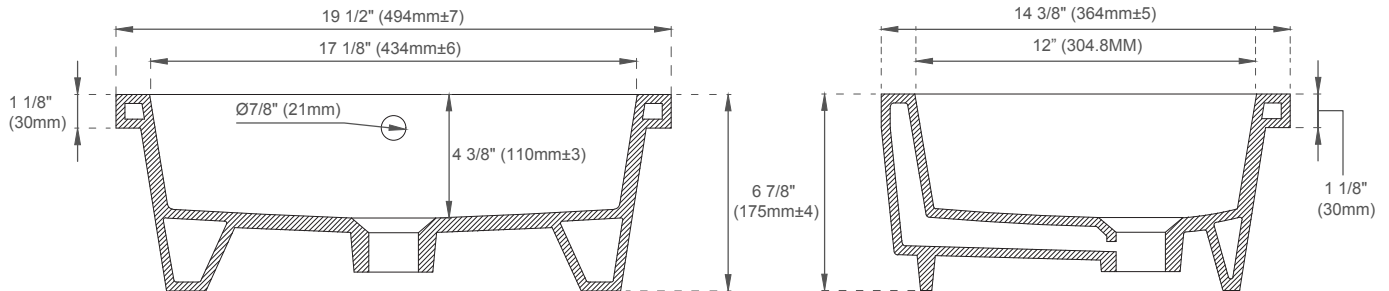
One of the most effective solutions for repairing scratches is to carefully fill them with grout or silica gel. Marble paste is also highly effective.

Because each type of damage needs to be carefully considered to determine the proper care method, we recommend consulting a professional.

# SNK-RF RECTANGULAR PORCELAIN UNDERMOUNT SINK



**ASME A112.19.2/CSA B45.1**



## EXTERNAL DIMENSIONS:

Length: 19-1/2"

Width: 14-3/8"

Height: 6-7/8"

## INTERNAL BASIN DIMENSIONS:

Basin Length: 17-1/8"

Basin Width: 12"

Basin Depth: 4-3/8"

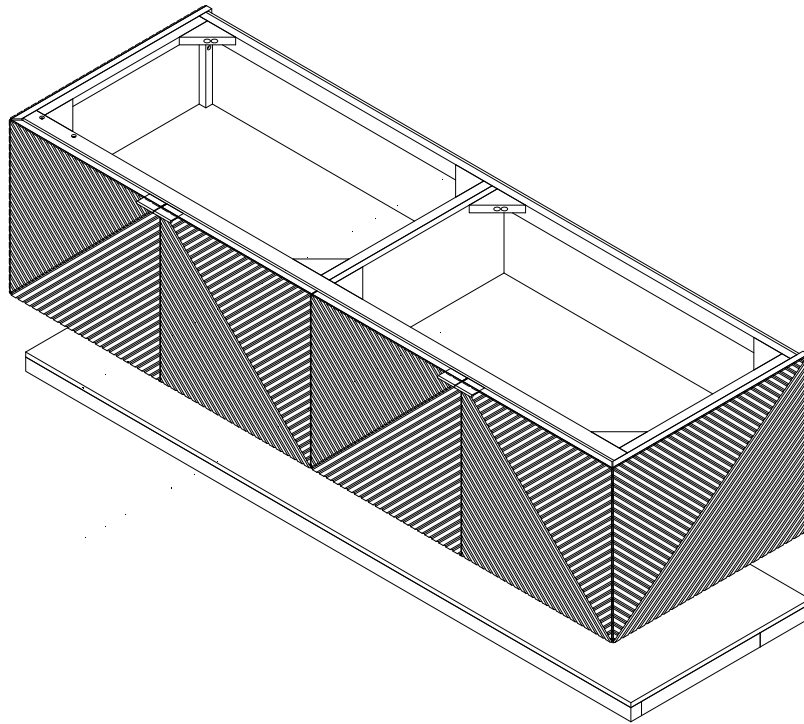
Fits Drain Hole Size: 1-1/2"

**All dimensions are nominal**

Visit website for more information  
[www.onfloatingvanity.com](http://www.onfloatingvanity.com)

# Assembly Instructions

---



Thank you for choosing this quality product. Be sure to check all packaging materials carefully for small parts that may have loosened inside the carton during shipment and place on a non-abrasive surface.

## **IMPORTANT STEPS BEFORE YOU BEGIN:**

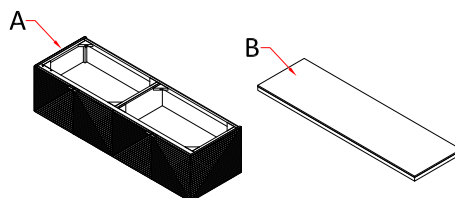
- For your safety and to achieve the best possible results, James Martin Vanities recommends you consult with a professional contractor.
- These parts can be cumbersome and heavy for some people, therefore the assistance of two or more people is recommended in order to prevent personal injury and ensure the product is not damaged during the assembly process.
- Ensure the vanity cabinet is in place and has been properly installed to meet plumbing codes.
- Shut off the water supply. Water supply and drain access must be in place prior to installing the counter top and sink.
- Ensure the vanity cabinet is level.



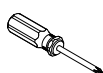
# Assembly Instructions

## PART LIST

- A. [1] VANITY CABINET
- B. [1] SHELF



## TOOLS NEEDED



Screwdriver  
(Not provided)



Drill  
(Not provided)



Level  
(Not provided)



Tape Measure  
(Not provided)



Pencil  
(Not provided)



Stud Finder  
(Not provided)

## HARDWARE LIST

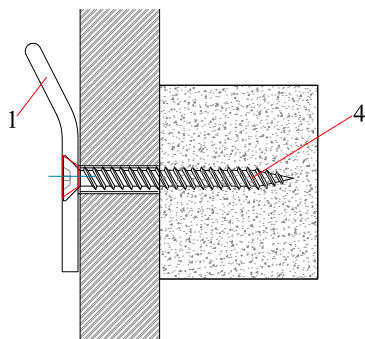
NO.	SKETCH	DESCRIPTION	SPECIFICATION	QTY.
1		French Cleat	L 66 7/8"	1 pc.
2		Shelf Hanger	66 7/8" x 14 1/8" x 1 5/8"	1 pc.
3		Hollow Wall Anchor	5/16" x 1 3/16"	30 pcs.

NO.	SKETCH	DESCRIPTION	SPECIFICATION	QTY.
4		Flat-head Wood Screw	M5 x 2 3/4"	12 pcs.
5		Threaded Knob	M6 x Ø1" x 1 3/8"	3 pcs.

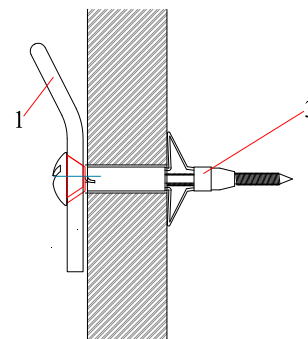
## ASSEMBLY INSTRUCTIONS

- **STUDS:** Use screws (4) to affix to studs. **IMPORTANT:** The Vanity Cabinet and Floating Shelf must both be secured to at least four studs.
- **DRYWALL:** Drill pilot hole on each marking and then insert hollow wall anchor (3). Tighten the screws into the anchors while maintaining constant pressure on the anchor to set. Remove screws. Hold metal bracket over the inserted anchors and reinstall screws through the wall bracket holes and tighten until snug against wall.

### STUDS



### DRYWALL



# Assembly Instructions



## PREPARING REPAIRING THE WALL FOR INSTALLATION

1. Locate and mark the position of the wall's interior studs to which you will fasten the metal bracket. We recommend the use of an electronic stud finder to locate the studs.

(Alternately you may find studs by listening for a solid sound as you knock on the wall)

### SPECIAL NOTE 1:

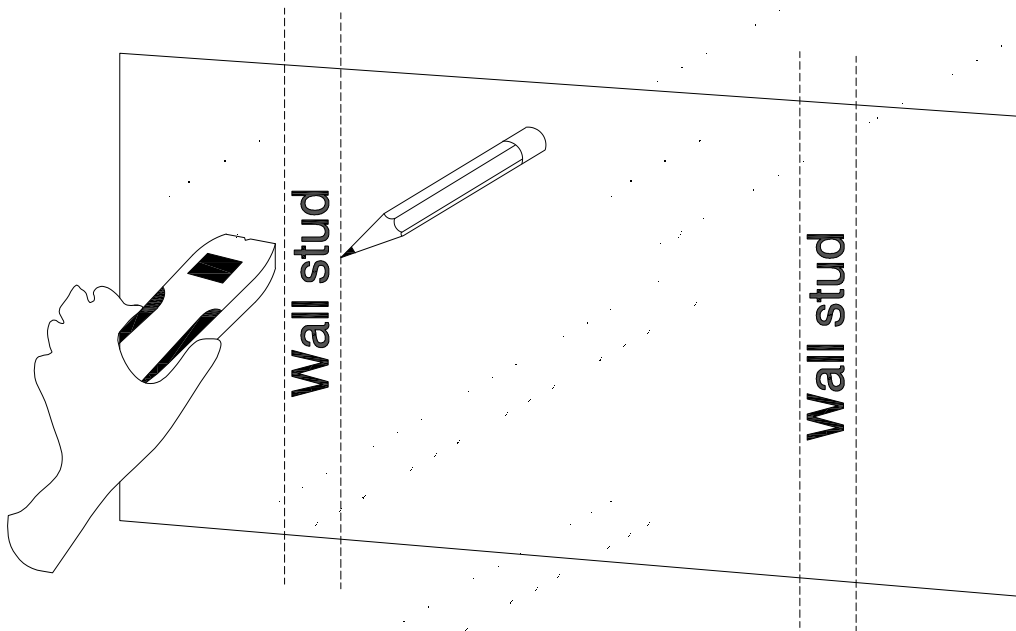
Each French cleat must be affixed to 4 wall studs using wood screws (4).

Shelf Hanger must be affixed to at least 4 wall studs using wood screws (4).

If the studs in your bathroom do not line up to the mounting location for your vanity, additional wood blocking can be installed between the studs using standard 2 x 4 lumber.

### SPECIAL NOTE 2:

To ensure a secure fit for both the Vanity and the Shelf, use the wall anchors (3) for all holes on the French Cleat (1) and Shelf Hanger (2) that don't align with studs.

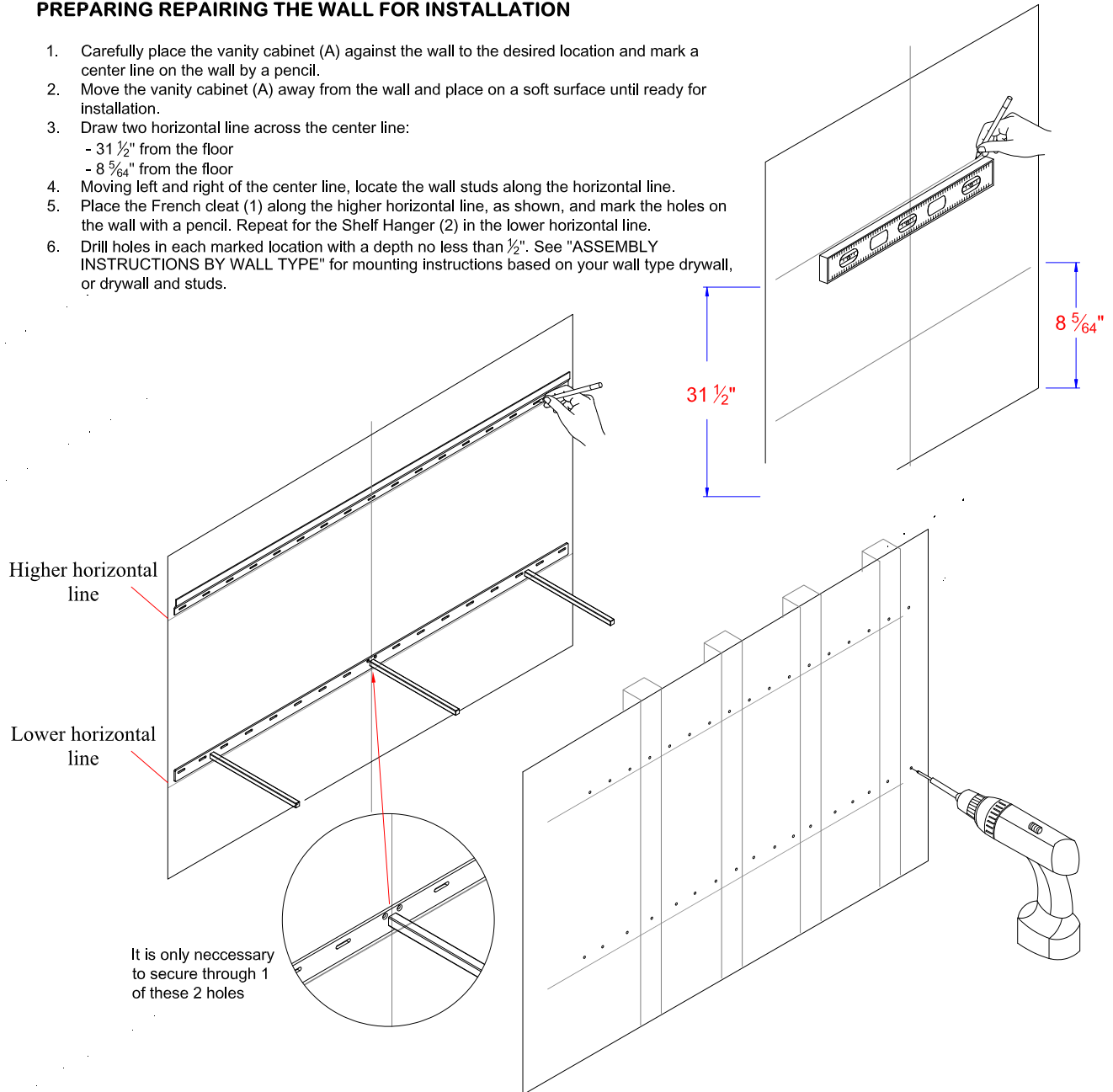


# Assembly Instructions



## PREPARING REPAIRING THE WALL FOR INSTALLATION

1. Carefully place the vanity cabinet (A) against the wall to the desired location and mark a center line on the wall by a pencil.
2. Move the vanity cabinet (A) away from the wall and place on a soft surface until ready for installation.
3. Draw two horizontal line across the center line:
  - $31\frac{1}{2}$ " from the floor
  - $8\frac{5}{64}$ " from the floor
4. Moving left and right of the center line, locate the wall studs along the horizontal line.
5. Place the French cleat (1) along the higher horizontal line, as shown, and mark the holes on the wall with a pencil. Repeat for the Shelf Hanger (2) in the lower horizontal line.
6. Drill holes in each marked location with a depth no less than  $\frac{1}{2}$ ". See "ASSEMBLY INSTRUCTIONS BY WALL TYPE" for mounting instructions based on your wall type drywall, or drywall and studs.



# Assembly Instructions

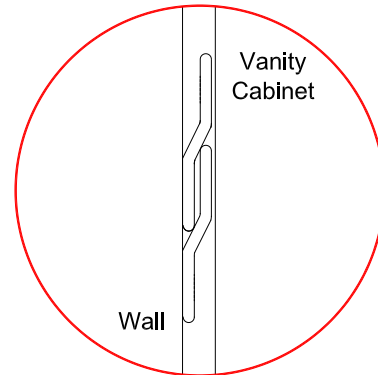
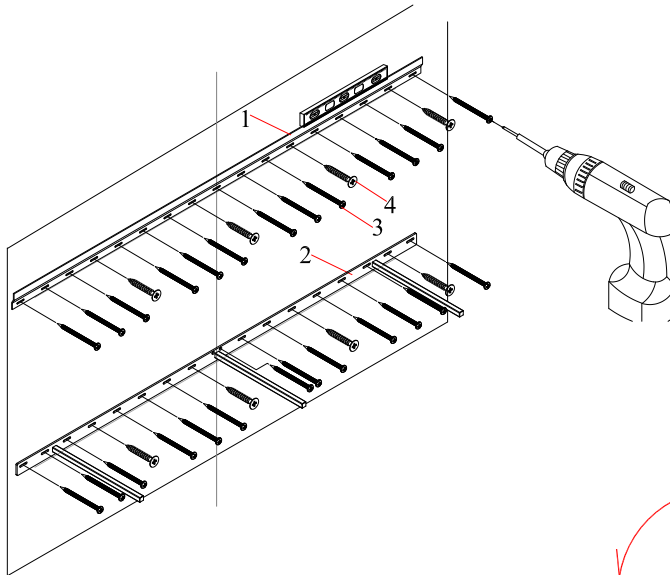


## INSTALLING THE FRENCH CLEAT AND SHELF BRACKET

1. Attach French cleat (1) to the wall using the pre-marked location on the higher horizontal line and in accordance with the proper wall type for each hole. Ensure that the straight edge of the cleat is along the marked line as shown.
2. Attach the Shelf Hanger in the same manner along the lower horizontal line.

NOTE: For proper installation

- Attach each French cleat (1) to 4 studs using the wood screws (4)
- Attach the shelf hanger (2) to at least 4 studs using the wood screws (4)

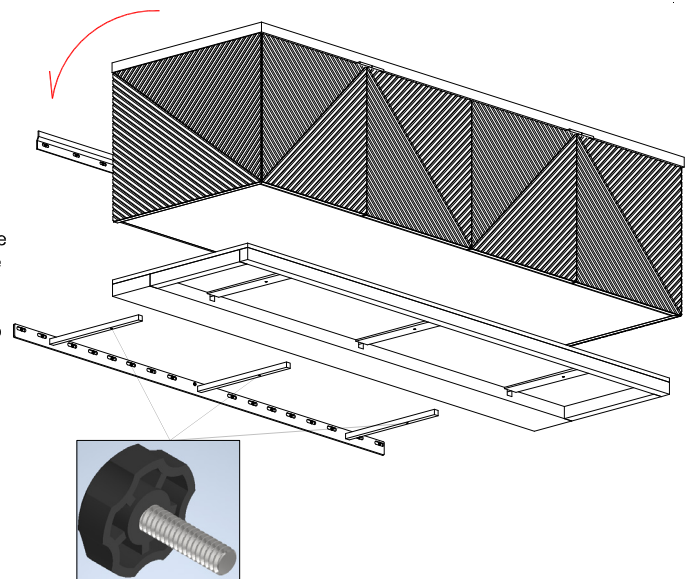


## INSTALLING VANITY AND SHELF

1. Using at least two people, carefully lift the vanity cabinet (A) so the French cleat on the back of the vanity slides over and rests on the French cleat on the wall.
2. Slide the shelf (B) onto the Shelf Hanger (2) then insert the threaded knob (5) and turn clockwise manually to affix the shelf to Shelf Hanger.

### ⚠ Warning

1. After installation, the shelf may have a natural "give" of 5mm
2. DECORATIVE USE ONLY - NO STEP - Load Capacity 60 LBS maximum load.



## CARE INSTRUCTIONS

1. Dust often using a clean, soft, dry and lint-free cloth.
2. Blot spills immediately and wipe with a clean, damp, cloth.
3. We do not recommend the use of chemical cleansers, abrasives or furniture polish on our lacquered finish. Product can be cleaned using a damp cloth soaked in warm soapy water followed by wiping clean with a dry lint-free cloth.