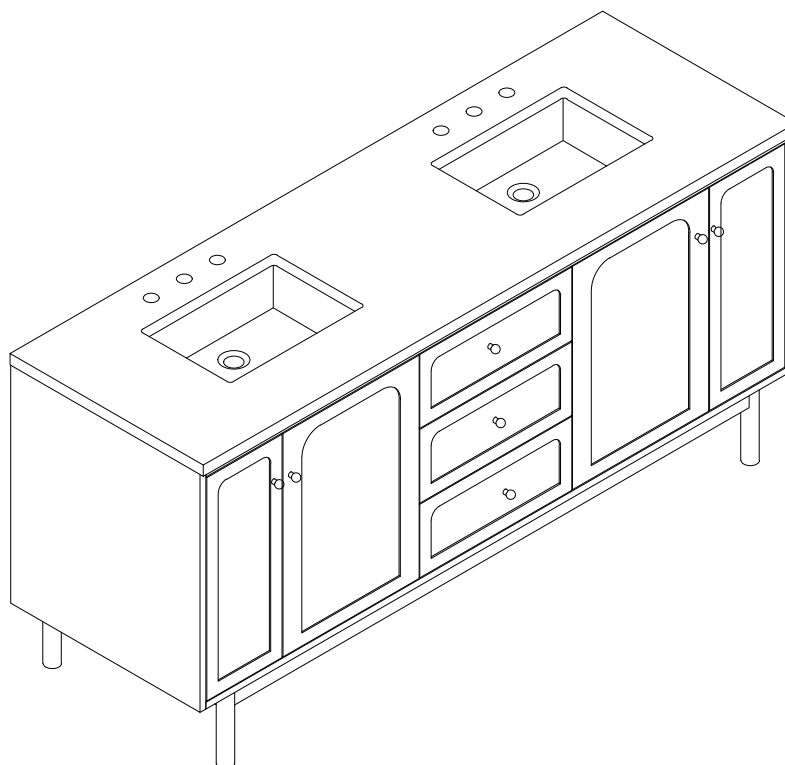




72" Essen Floating Vanity



Features

Materials

Solids (Species): Ash

Veneers: Flat Cut White Oak

Panels: Plywood

Number of Basins: Double

Vanity Top : Sold Separately - 3cm Top with Sink

Basins Included: No

Number of Doors: Four

Number of Drawers: Five

Number of Tip Outs: No

USB/Power Component: Yes (ETL5011080)

Assembly Required: Yes

Bamboo Storage Tray: One

Drawer Box Material and Construction: 12mm Plywood/English Dovetail Joinery

Hardware Material and Finish: Zinc Alloy in Champagne Brass Color

Fits Drain Hole Size: 1-3/4"

Full Extension, Soft Close Glides

European Soft Close Hinges

Aluminum Laminate Drawer Liners

Dimension

Width: 71-7/8"

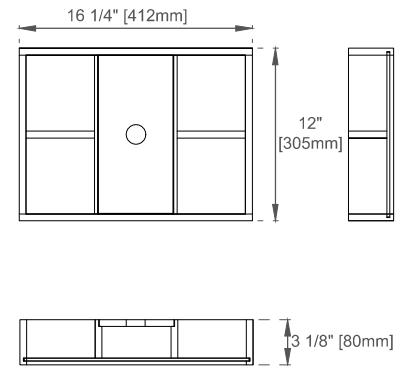
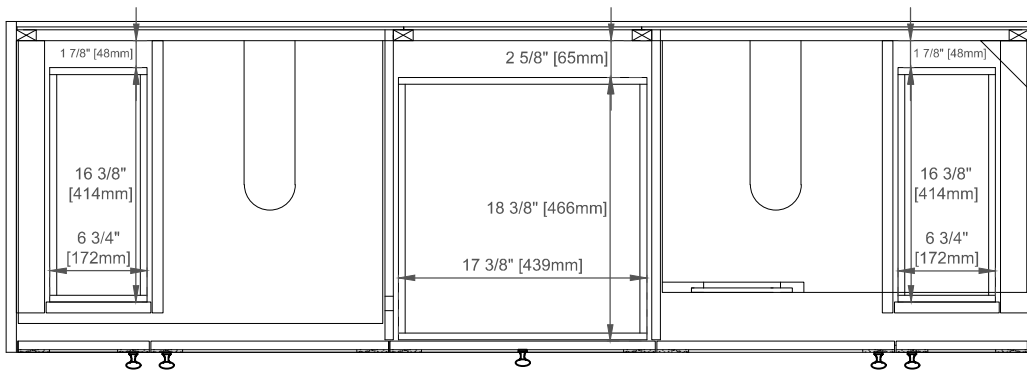
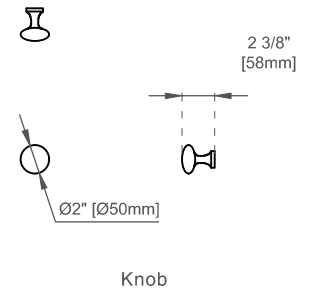
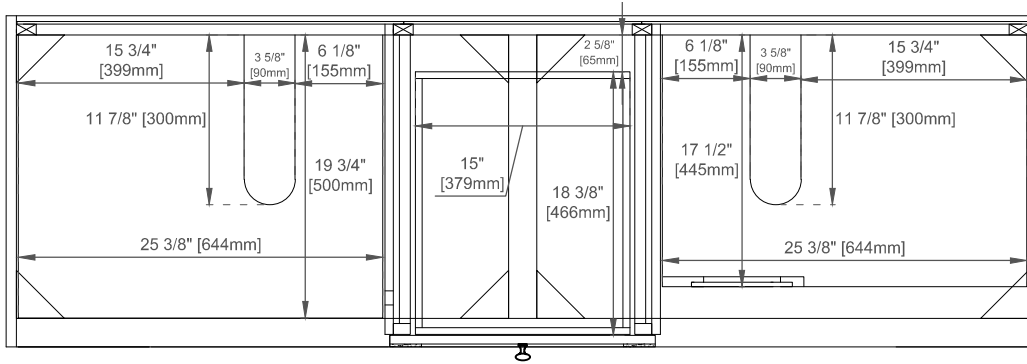
Depth: 23-1/8"

Height: 33"

Rough-In Height: 21-1/2"

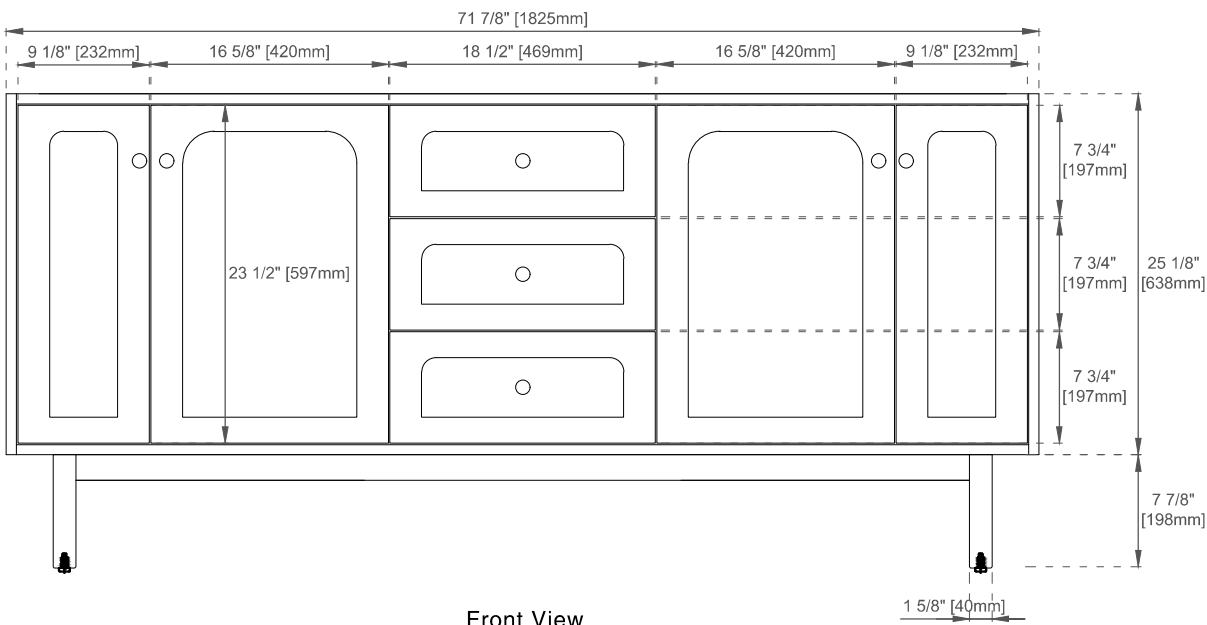


72" Essen Floating Vanity



Top View

Bamboo Drawer Organizer



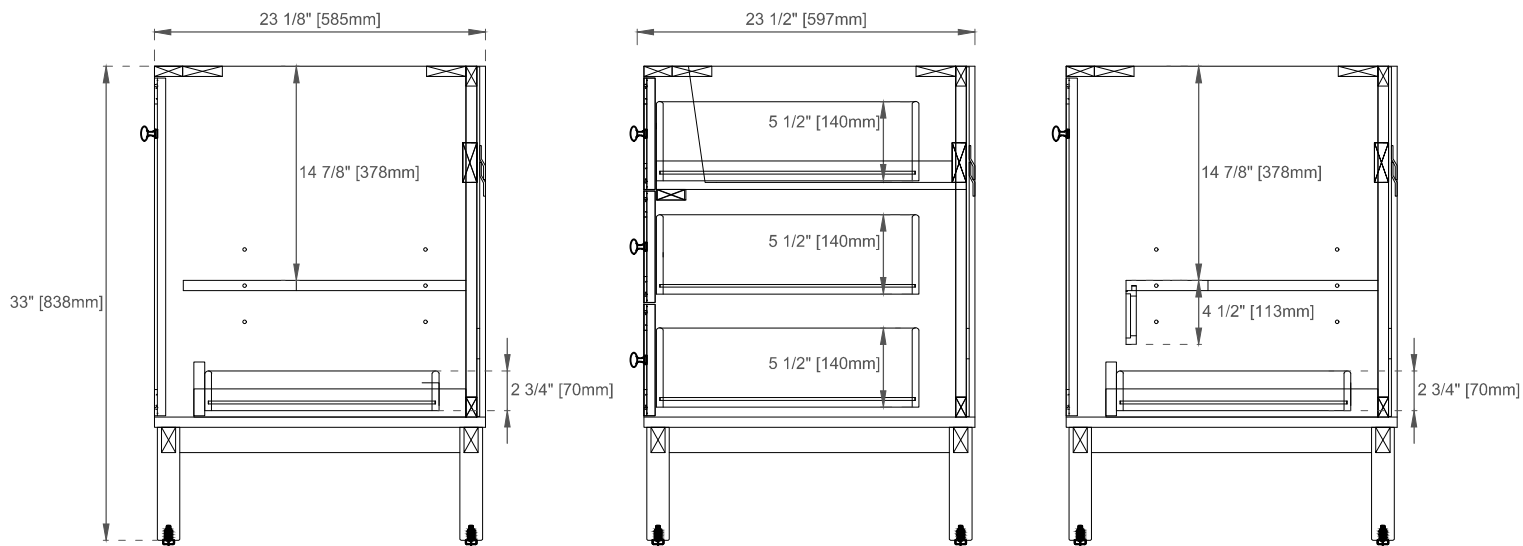
Front View

All dimensions and specifications are nominal and may vary. Use actual products for accuracy in critical situations
Diagrams are of cabinets only - Optional Countertops and sinks are not shown.

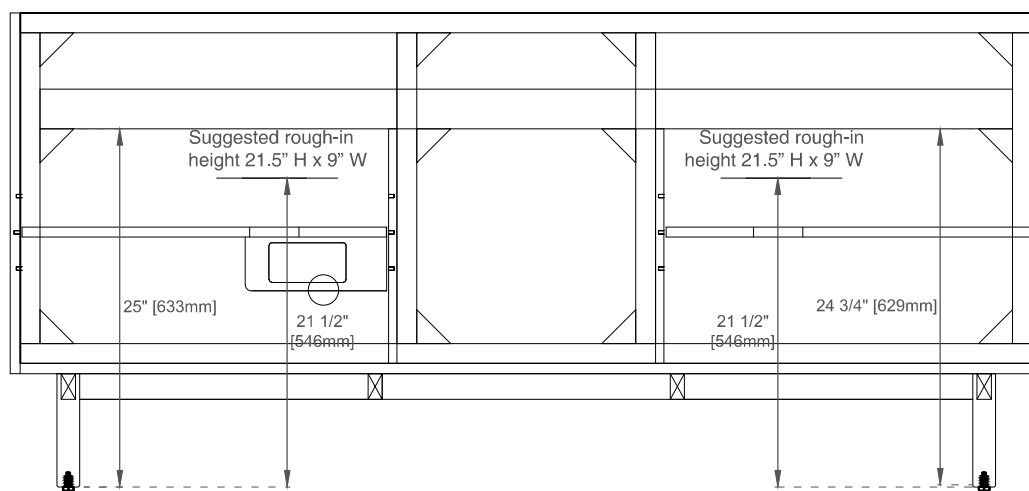
Visit website for more information
www.onfloatingvanity.com



72" Essen Floating Vanity



Side View



Back View

All dimensions and specifications are nominal and may vary. Use actual products for accuracy in critical situations
Diagrams are of cabinets only - Optional Countertops and sinks are not shown.

Visit website for more information
www.onfloatingvanity.com

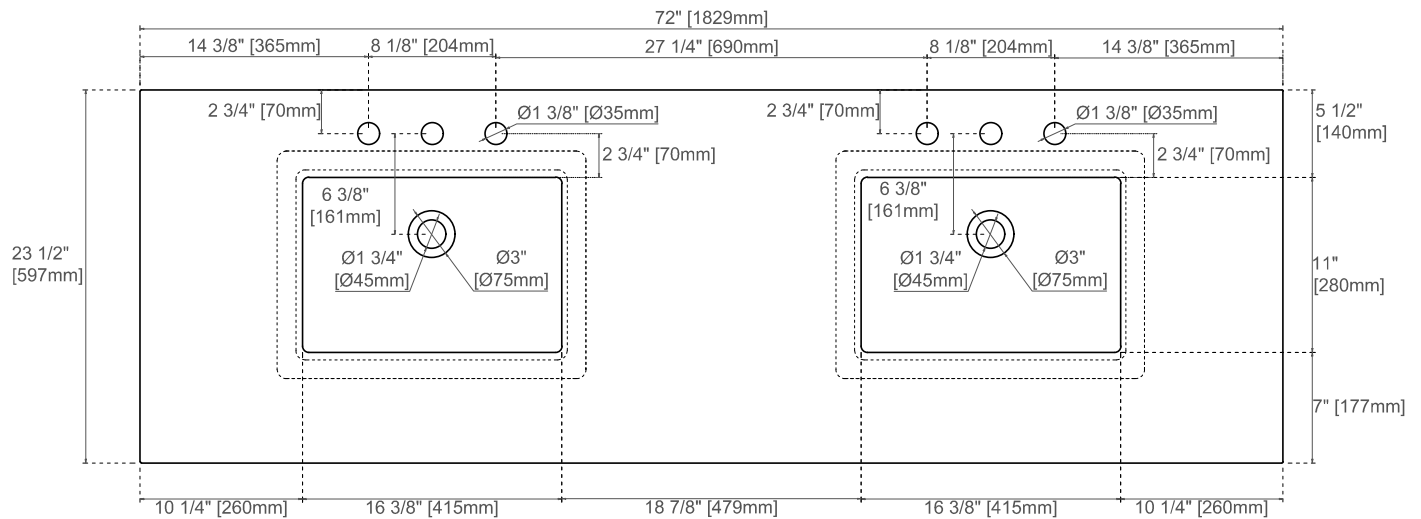
72" 3CM 050 SERIES SILESTONE® QUARTZ COUNTERTOPS



Silestone® by Cosentino

Silestone is a hybrid surface of premium minerals, recycled materials, resins, and pigments that produce a hygienic, high-performance, stain and scratch-resistant surface.

The production process of Silestone employs an innovative and sustainable technology known as HybriQ. This groundbreaking technology employs an innovative hybrid composition that significantly reduces the utilization of crystalline silica, ensuring that it does not exceed 50%. This revolutionary formulation is meticulously crafted utilizing 99% recycled water and 100% electrical energy derived exclusively from renewable sources.



All dimensions are nominal

Visit website for more information
www.onfloatingvanity.com

3CM 050 SERIES SILESTONE® QUARTZ COUNTERTOPS



Silestone Care and Maintenance

Silestone's hybrid composition consisting of premium minerals, quartz, and recycled materials makes it highly resistant to stains, preventing them from penetrating the surface and making daily cleaning easy and quick.

Routine Care: Simply wipe your Silestone surface with soap and water on a regular basis to maintain its beauty. For deeper cleaning, use any Ph-balanced (less than 10) general-purpose household cleaner. Q-Action cleaner is especially effective for the disinfection of kitchen countertops.

Using sealants and water repellants is not necessary to maintain the original sheen of your Silestone quartz top. Avoid using these products as they can create an undesirable build-up over time. If the surface of your Silestone countertop loses sheen, you may apply food-safe furniture spray.

Light Stains: Apply a small amount of a general-purpose household cleaner to the stain, let sit for 2 minutes and rub with a non-scratch scouring pad. Rinse immediately with water. For stains that harden as they dry, remove by gently scraping the surface with a razor blade or putty knife, holding it upright to avoid scratching the surface. Clean using warm, soapy water and rinse thoroughly.

Difficult/Stubborn Stains: The following products may be applied and let stand for 10 minutes before scrubbing and rinsing thoroughly. Caution should be exercised in the handling and storage of these chemicals.

Lacquer Thinner – Rubbing Alcohol – Ammonia – Mineral Spirits

Hardwater Stains: Apply a paste from equal parts baking soda and white vinegar. Let sit on the surface for 10-20 minutes and rub with a non-scratch pad. Rinse immediately with water.

General Precautions

Avoid using the following:

- Chlorine-based products
- Degreasing agents such as those used in oven cleaners
- Products high in alkaline (Ph over 10)

Heat Precautions

Although Silestone can withstand high temperatures for short periods of time, its performance varies with respect to different factors like thickness, color, location, etc. For this reason, it is not recommended that the product be exposed to sustained contact with a heat source, like curling irons, nor should hot saucepans, frying pans, deep-fat fryers, etc, be placed on it. The use of a hot pad or trivet is recommended in such situations.

Sun Exposure

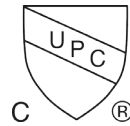
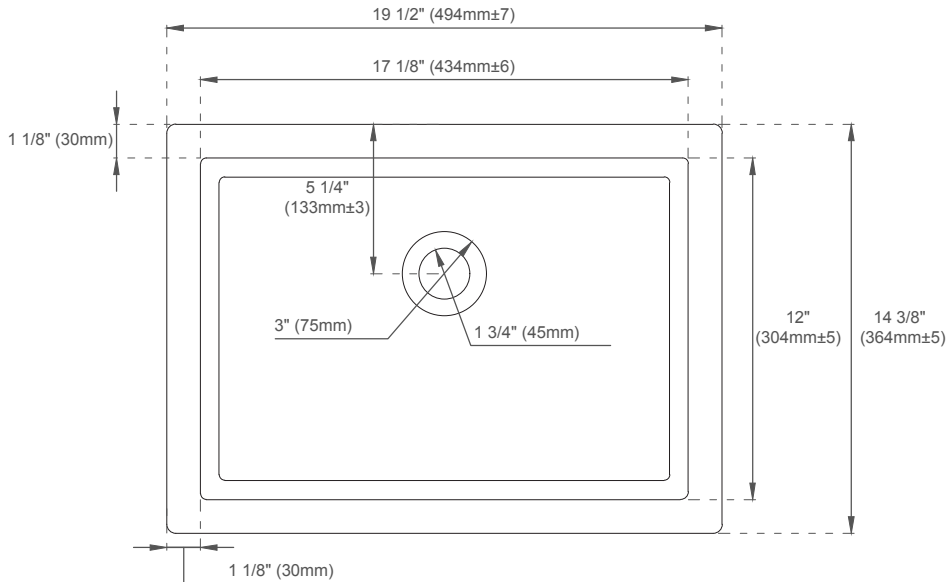
- Silestone quartz is not intended for outdoor use
- Avoid places with UV lighting

Repairs

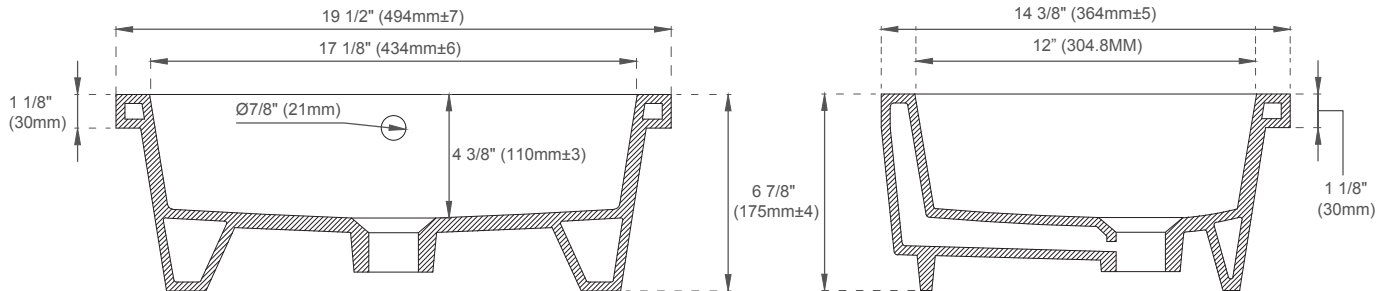
One of the most effective solutions for repairing scratches is to carefully fill them with grout or silica gel. Marble paste is also highly effective.

Because each type of damage needs to be carefully considered to determine the proper care method, we recommend consulting a professional.

SNK-RF RECTANGULAR PORCELAIN UNDERMOUNT SINK



ASME A112.19.2/CSA B45.1



EXTERNAL DIMENSIONS:

Length: 19-1/2"

Width: 14-3/8"

Height: 6-7/8"

INTERNAL BASIN DIMENSIONS:

Basin Length: 17-1/8"

Basin Width: 12"

Basin Depth: 4-3/8"

Fits Drain Hole Size: 1-1/2"

All dimensions are nominal

Visit website for more information
www.onfloatingvanity.com

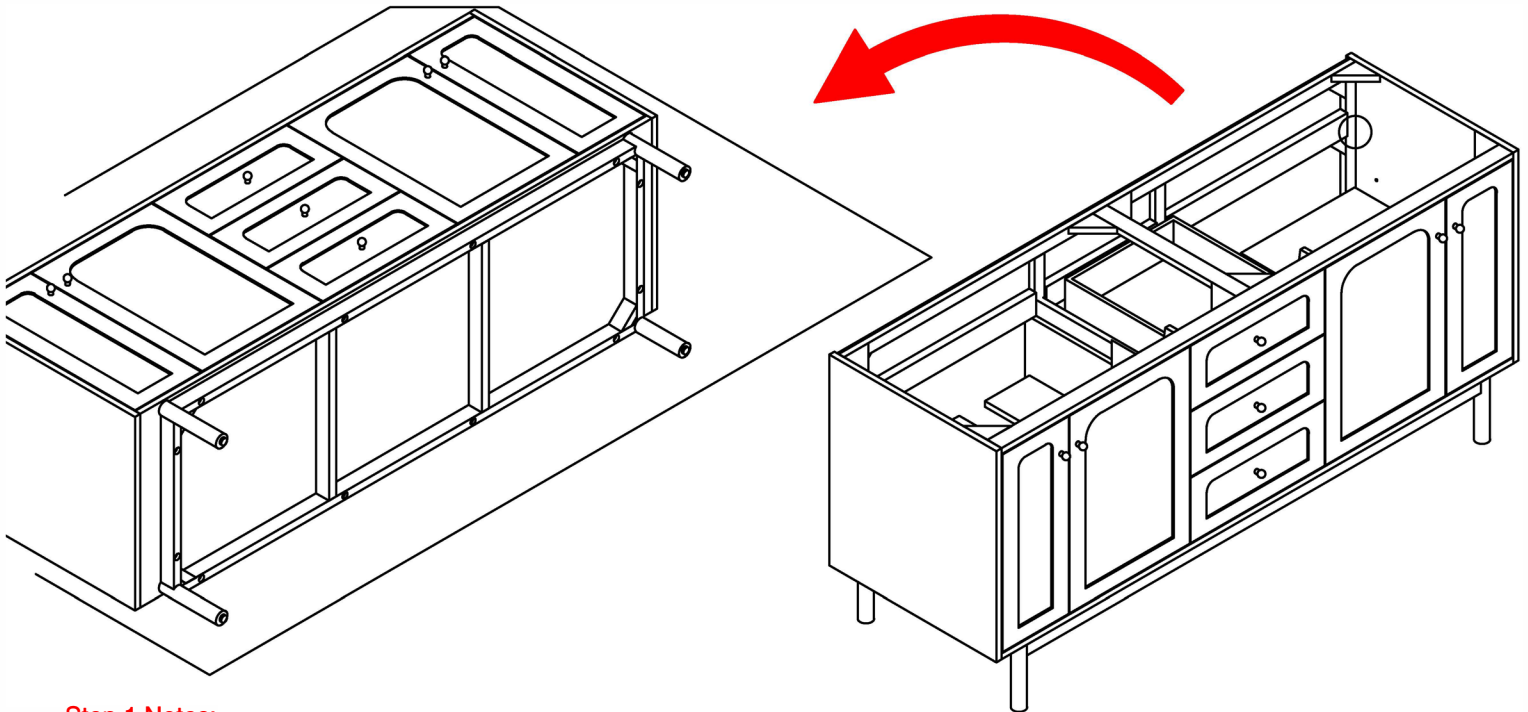


Assembly Instructions

Important Notes:

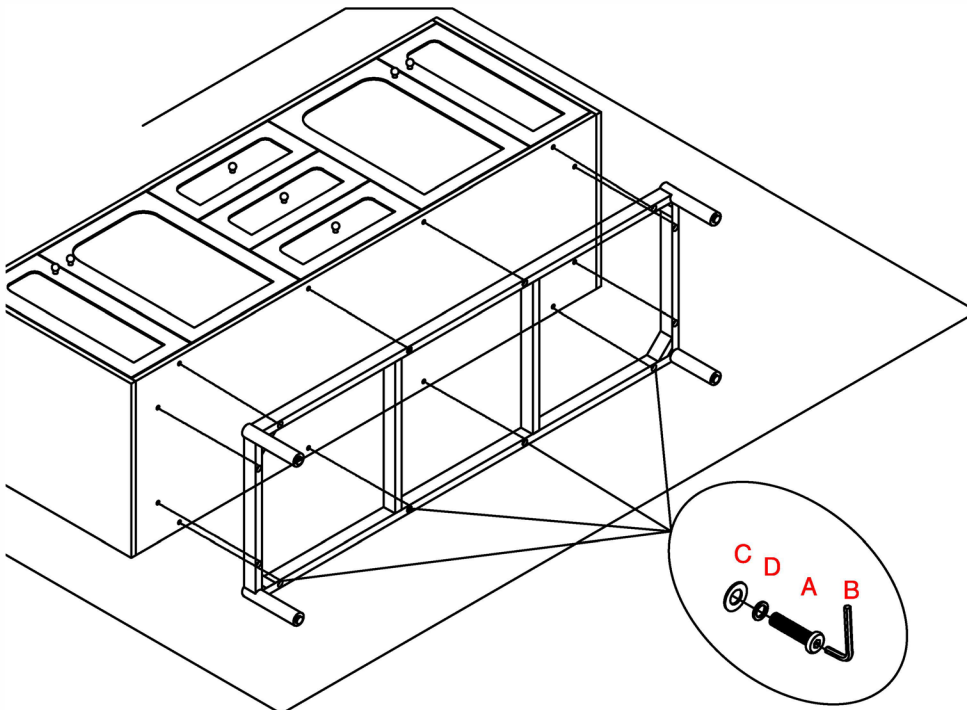
This vanity cabinet may be used freestanding, or may be mounted to a wall (floating).
If you are using this cabinet as a freestanding unit, please refer to pages 02- 05.

If you are using this cabinet as a wall mounted (floating) unit, please refer to pages 01 - 05.



Step 1 Notes:

To prepare the cabinet for wall mounting, you need to remove the attached wooden base.
Please place a blanket or other soft material on the floor
and then place the cabinet on its back.



A = 12 pcs bolt 1/4" x 2"

B = 1 pc allen wrench #04

C = 12 pcs spring washer 1/4"

D = 12 pcs flat washer 1/4" x 5/8"



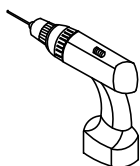
Step 2 Notes:

Please locate the red hardware bag which is included with the cabinet.
You will need the hex key (allen) wrench to remove the bolts and washers from the base.

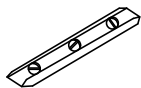


Assembly Instructions

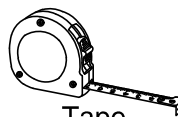
Materials for Installation:



Drill



Level



Tape Measuring

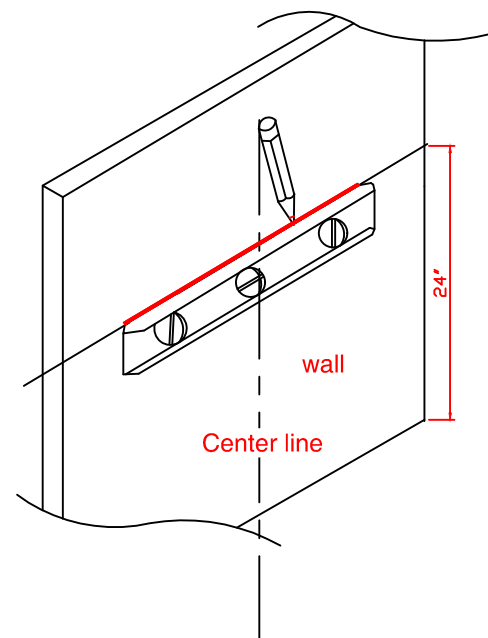
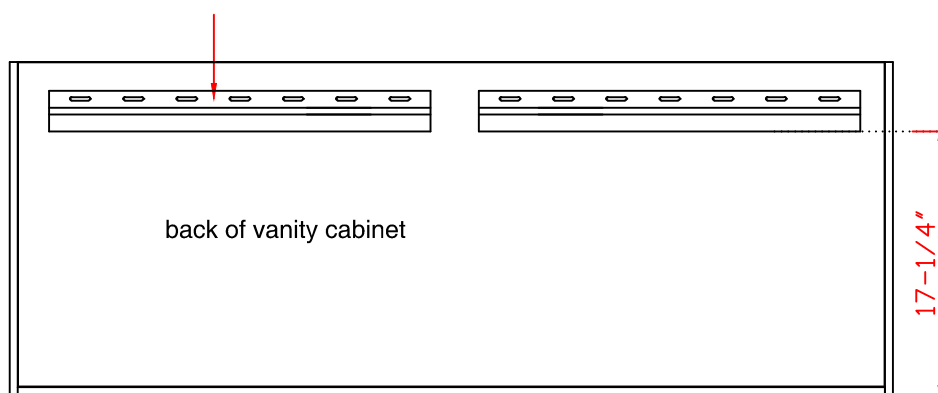


Pencil



Stud Finder

F Pre-attached metal mounting (French Cleat) bracket



Step 3 Notes:

The metal mounting brackets has been pre-installed to the backside of the cabinet 17 1/4" from the bottom of the cabinet, remove two pieces from the back of the cabinet .

Step 4 Notes:

Draw a horizontal line on the wall at your desired height. For this cabinet, most people use a height of 24"

Step 5 Notes:

Locate and mark the position of the wall's interior studs to which you will fasten the metal bracket. We recommend the use of an electronic stud finder to locate the studs.

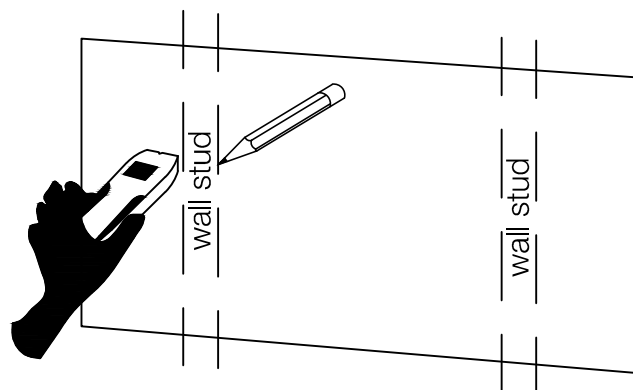
(Alternately, you may find studs by listening for a solid sound as you knock on the wall)

Special Note 1:

If the studs in your bathroom do not line up to the mounting location for your vanity, additional wood blocking can be installed between the studs using standard 2 x 4 lumber.

Special Note 2:

Due to the narrow width of this cabinet, you may decide to use drywall anchors if the wall studs are not spaced appropriately.

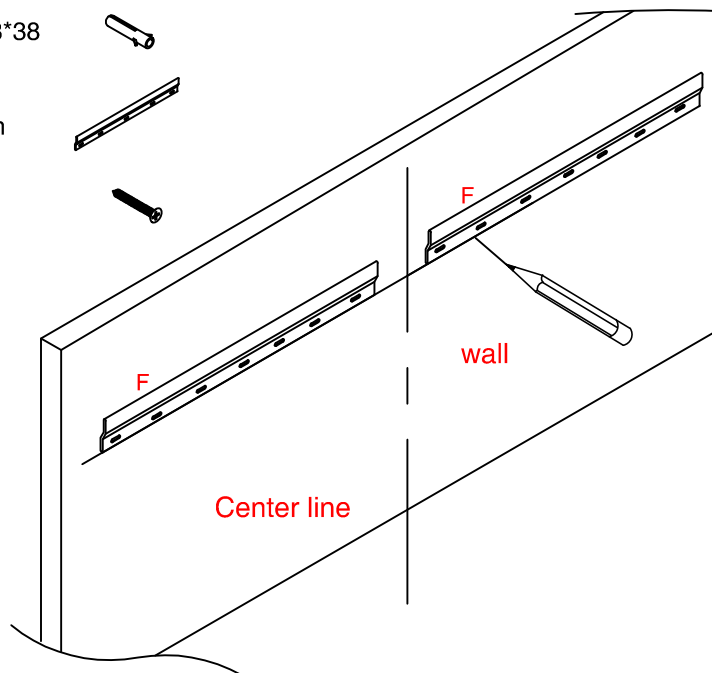


Assembly Instructions

E=14PCS Drywall Anchor Ø8*38

F=1PC Metal Brackett 700mm

G=14PCS Screws Ø4*40

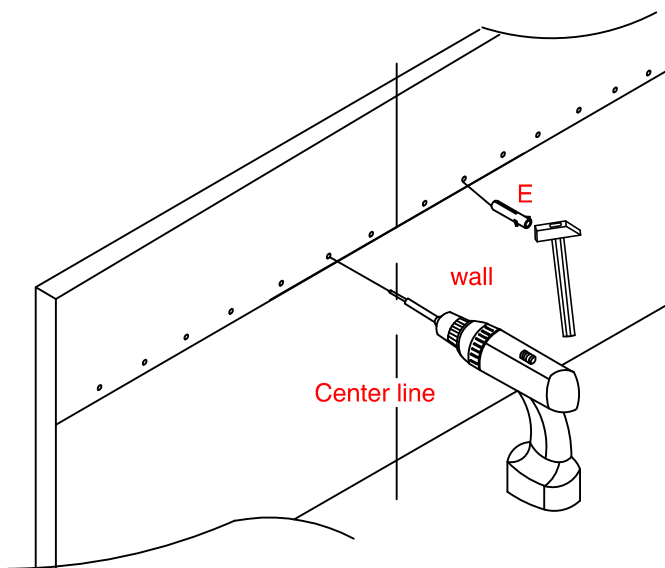


Step 6 Notes:

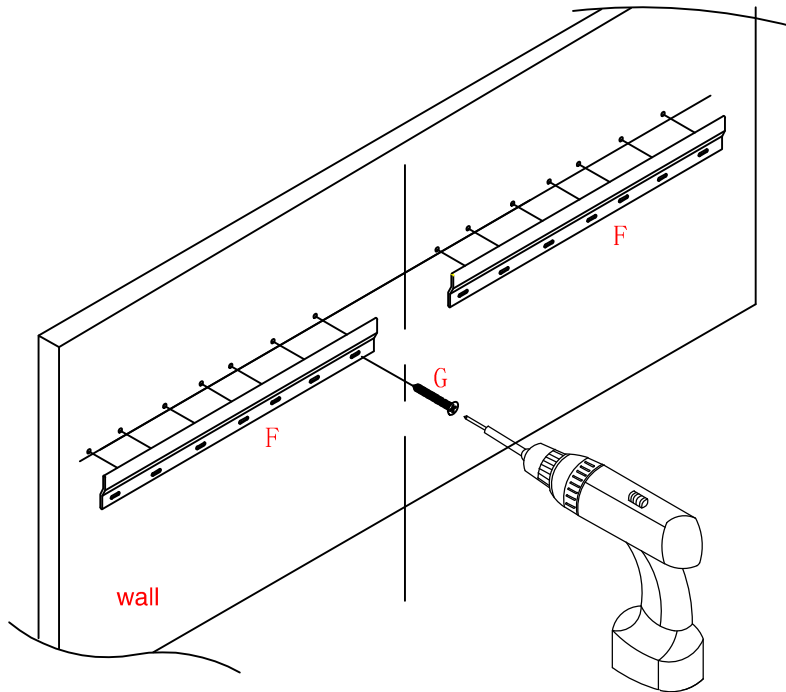
After you have located the wall studs, position the metal bracket so the holes align with the center points of the studs. Mark these positions with a pencil.

Step 7 Notes:

Drill holes for the screws in the positions you have marked with the pencil. Drill the holes' depth no less than 1 1/2", insert "E" to the holes by using hammer.



Assembly Instructions

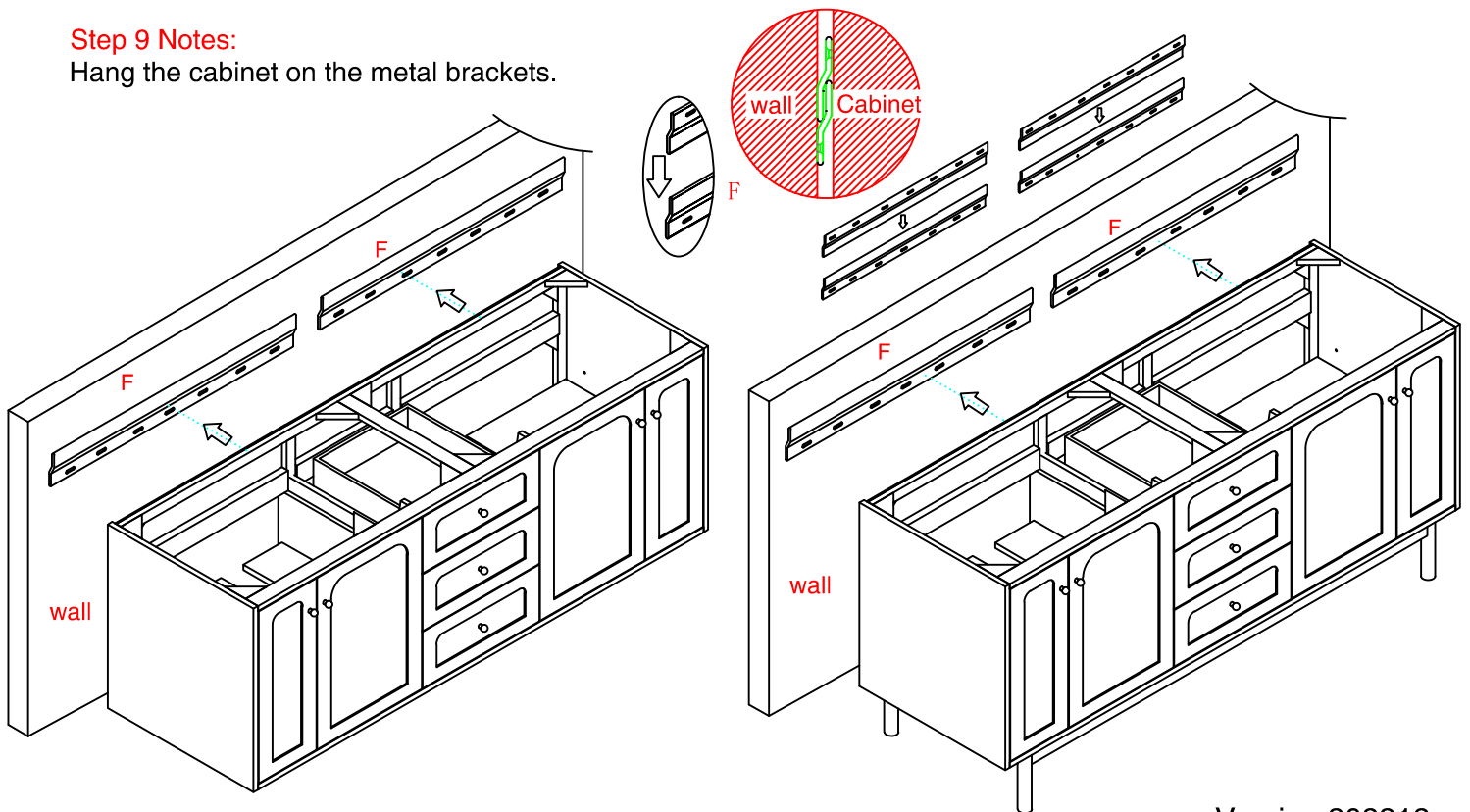


Step 8 Notes:

Attach the metal brackets to the wall using the screws "G" included in the red hardware bag.

Step 9 Notes:

Hang the cabinet on the metal brackets.



Version:202212

Visit website for more information
www.onfloatingvanity.com



Assembly Instructions

Step 10 Notes:

Properly align and secure the countertop to the cabinet with high quality adhesive.

