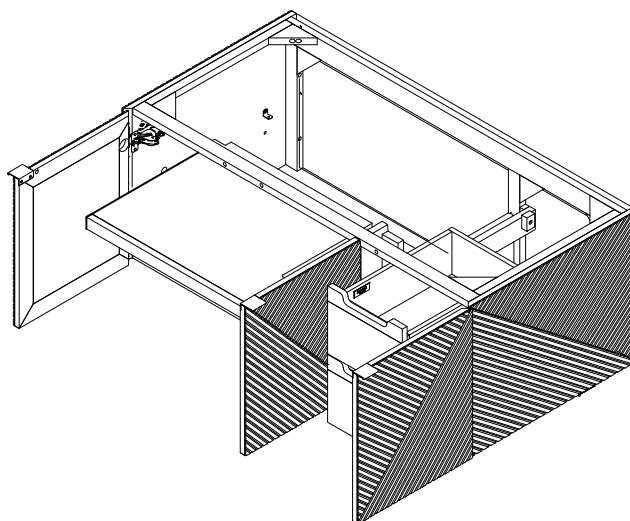
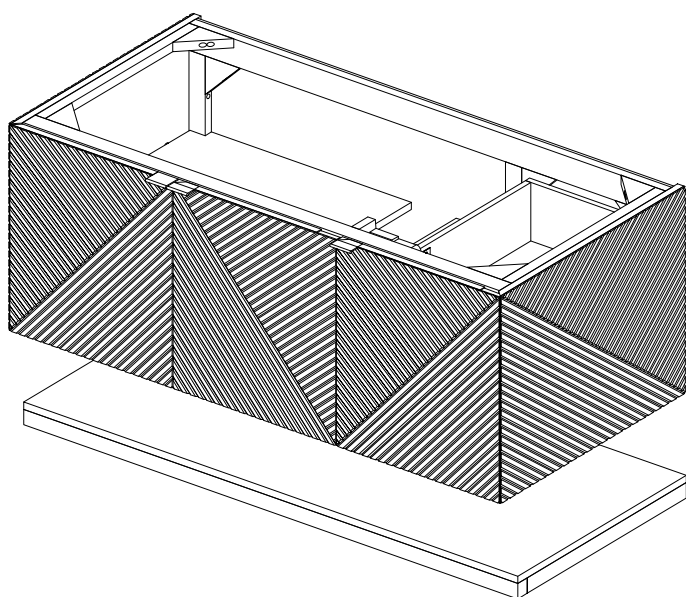




48" Leuven Floating Vanity



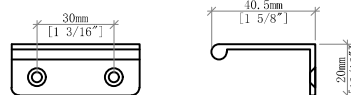
Details and Features

Solids: Poplar
Veneers: Acacia
Panels: Marine MDF
Installation Type: Wall Mount
Number of Doors: 3
Number of Drawers: 2 (internal)
Shelves: 1 Internal, adjusting
Floating Shelf
Assembly Type: Cabinet arrives fully assembled
Drawer Boxes: Ash veneer over Marine MDF
English Dovetail joinery
Aluminum Laminate Drawer Liners
Hardware Finish: Champagne Brass
Full Extension, Soft Close Glides
European Soft Close Hinges
Vanity Top: Optional 3cm Tops available
Number of Basins: 1
(included with optional countertop purchase)

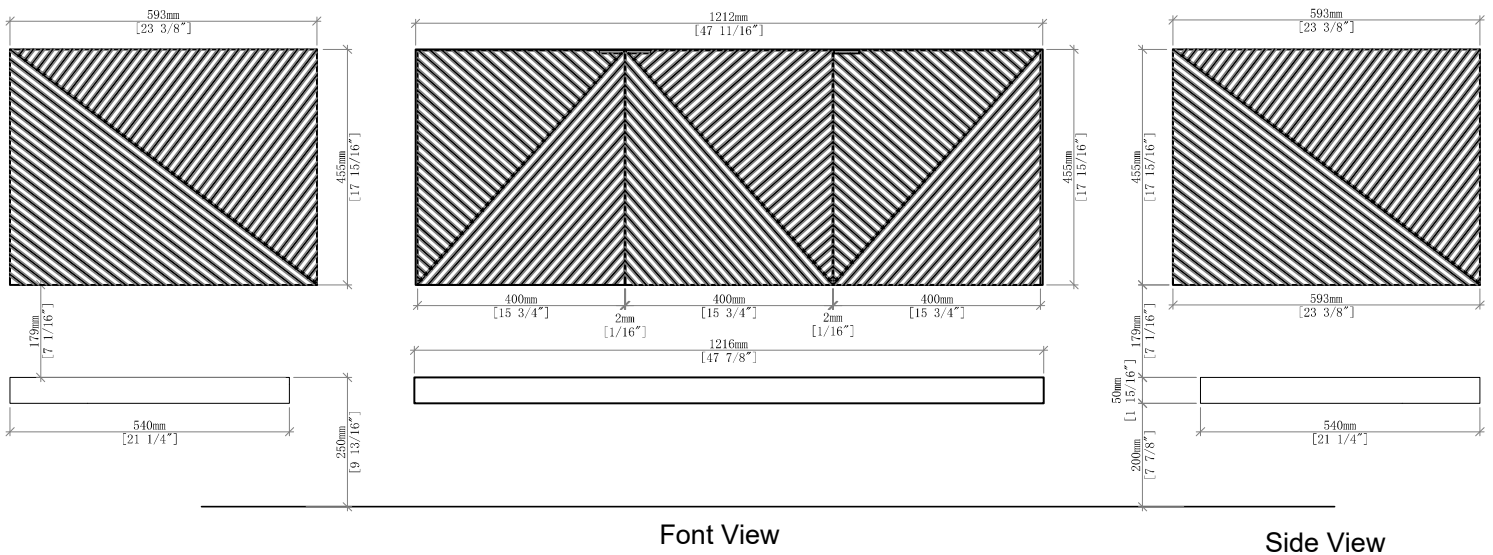
Dimension

Cabinet Width: 47-11/16" (1212mm)
Cabinet Depth: 23-3/8" (593mm)
Height: 17-15/16" (455mm)
Rough-In Height: 21" (551mm)
Requires a compact, bottle-style trap
Shelf Width: 47-7/8" (1216mm)
Shelf Depth: 21-1/4" (540mm)
Shelf Height: 1-15/16" (50mm)

Drawer Edge Pulls



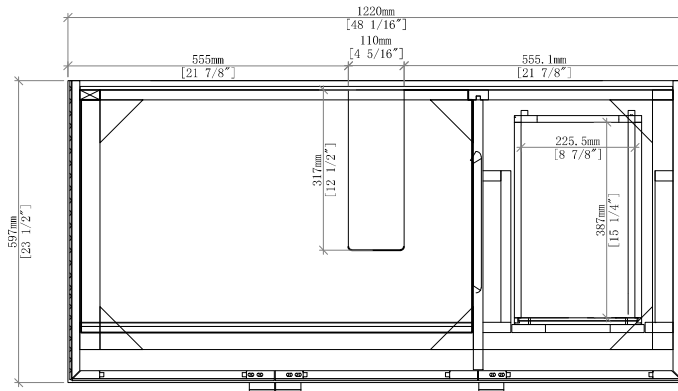
48" Leuven Floating Vanity



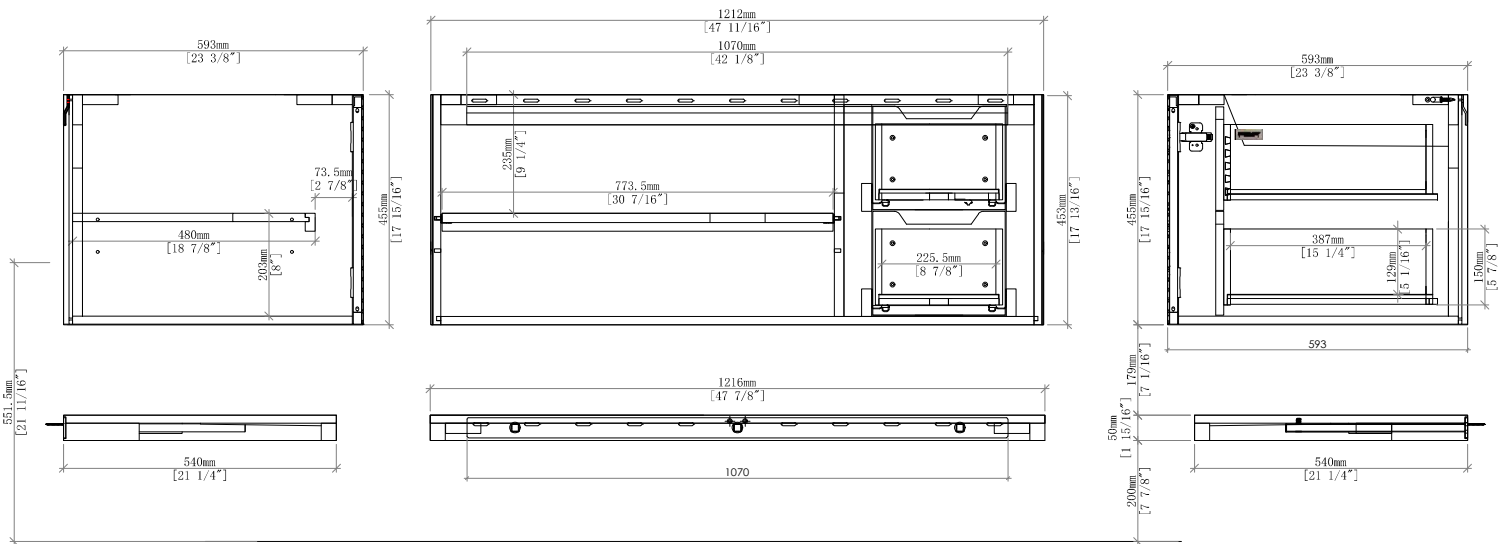
All dimensions and specifications are nominal and may vary. Use actual products for accuracy in critical situations
 Diagrams are of cabinets only - Optional Countertops and sinks are not shown.

Visit website for more information
www.onfloatingvanity.com

48" Leuven Floating Vanity



Top View



Side View 1

Front View

Side View 1

All dimensions and specifications are nominal and may vary. Use actual products for accuracy in critical situations
 Diagrams are of cabinets only - Optional Countertops and sinks are not shown.

Visit website for more information
www.onfloatingvanity.com

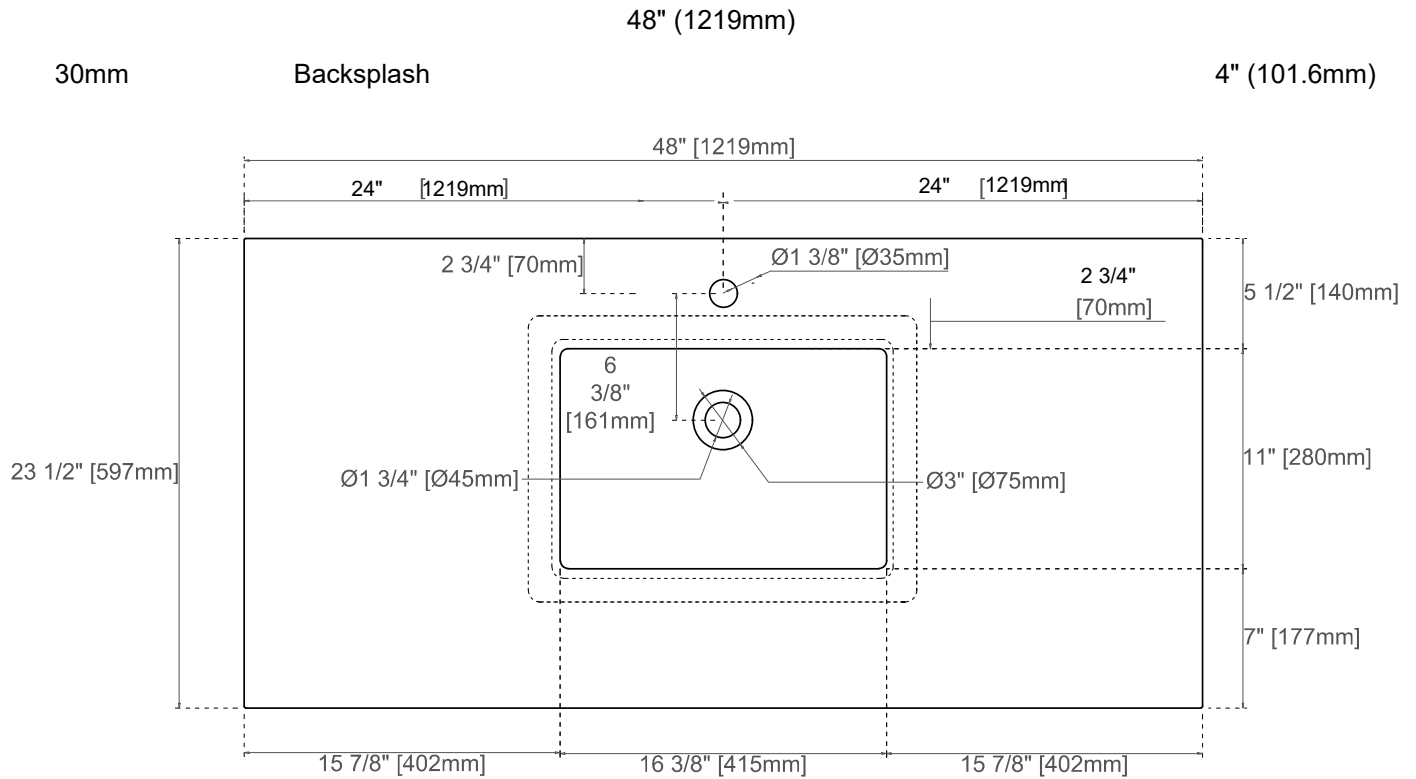
**48" 3CM 051 SERIES
SILESTONE®
QUARTZ COUNTERTOPS WITH BACKSPLASH**



Silestone® by Cosentino

Silestone is a hybrid surface of premium minerals, recycled materials, resins, and pigments that produce a hygienic, high-performance, stain and scratch-resistant surface.

The production process of Silestone employs an innovative and sustainable technology known as HybriQ. This groundbreaking technology employs an innovative hybrid composition that significantly reduces the utilization of crystalline silica, ensuring that it does not exceed 50%. This revolutionary formulation is meticulously crafted utilizing 99% recycled water and 100% electrical energy derived exclusively from renewable sources.



3CM 050 SERIES SILESTONE® QUARTZ COUNTERTOPS



Silestone Care and Maintenance

Silestone's hybrid composition consisting of premium minerals, quartz, and recycled materials makes it highly resistant to stains, preventing them from penetrating the surface and making daily cleaning easy and quick.

Routine Care: Simply wipe your Silestone surface with soap and water on a regular basis to maintain its beauty. For deeper cleaning, use any Ph-balanced (less than 10) general-purpose household cleaner. Q-Action cleaner is especially effective for the disinfection of kitchen countertops.

Using sealants and water repellants is not necessary to maintain the original sheen of your Silestone quartz top. Avoid using these products as they can create an undesirable build-up over time. If the surface of your Silestone countertop loses sheen, you may apply food-safe furniture spray.

Light Stains: Apply a small amount of a general-purpose household cleaner to the stain, let sit for 2 minutes and rub with a non-scratch scouring pad. Rinse immediately with water. For stains that harden as they dry, remove by gently scraping the surface with a razor blade or putty knife, holding it upright to avoid scratching the surface. Clean using warm, soapy water and rinse thoroughly.

Difficult/Stubborn Stains: The following products may be applied and let stand for 10 minutes before scrubbing and rinsing thoroughly. Caution should be exercised in the handling and storage of these chemicals.

Lacquer Thinner – Rubbing Alcohol – Ammonia – Mineral Spirits

Hardwater Stains: Apply a paste from equal parts baking soda and white vinegar. Let sit on the surface for 10-20 minutes and rub with a non-scratch pad. Rinse immediately with water.

General Precautions

Avoid using the following:

- Chlorine-based products
- Degreasing agents such as those used in oven cleaners
- Products high in alkaline (Ph over 10)

Heat Precautions

Although Silestone can withstand high temperatures for short periods of time, its performance varies with respect to different factors like thickness, color, location, etc. For this reason, it is not recommended that the product be exposed to sustained contact with a heat source, like curling irons, nor should hot saucepans, frying pans, deep-fat fryers, etc, be placed on it. The use of a hot pad or trivet is recommended in such situations.

Sun Exposure

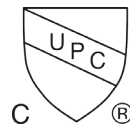
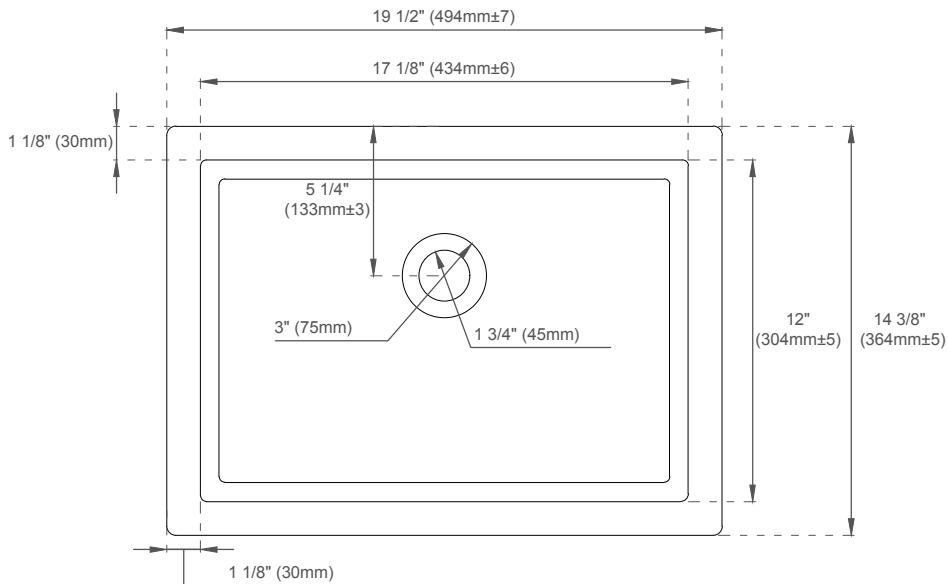
- Silestone quartz is not intended for outdoor use
- Avoid places with UV lighting

Repairs

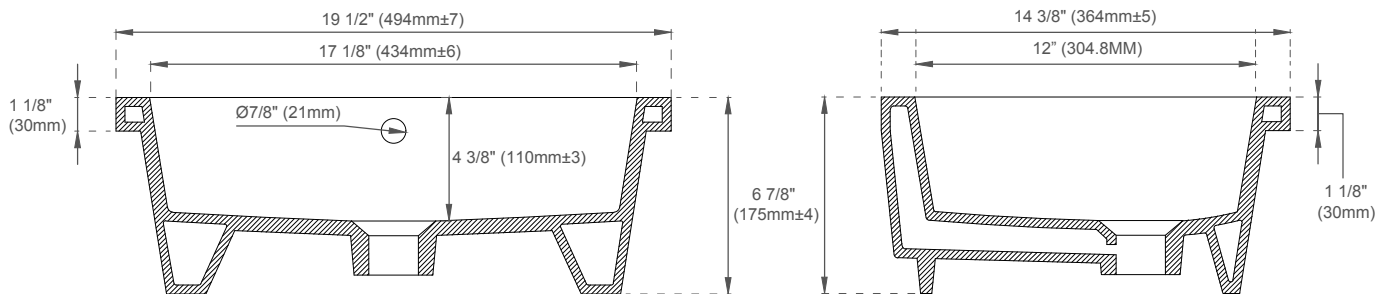
One of the most effective solutions for repairing scratches is to carefully fill them with grout or silica gel. Marble paste is also highly effective.

Because each type of damage needs to be carefully considered to determine the proper care method, we recommend consulting a professional.

SNK-RF RECTANGULAR PORCELAIN UNDERMOUNT SINK



ASME A112.19.2/CSA B45.1



EXTERNAL DIMENSIONS:

Length: 19-1/2"

Width: 14-3/8"

Height: 6-7/8"

INTERNAL BASIN DIMENSIONS:

Basin Length: 17-1/8"

Basin Width: 12"

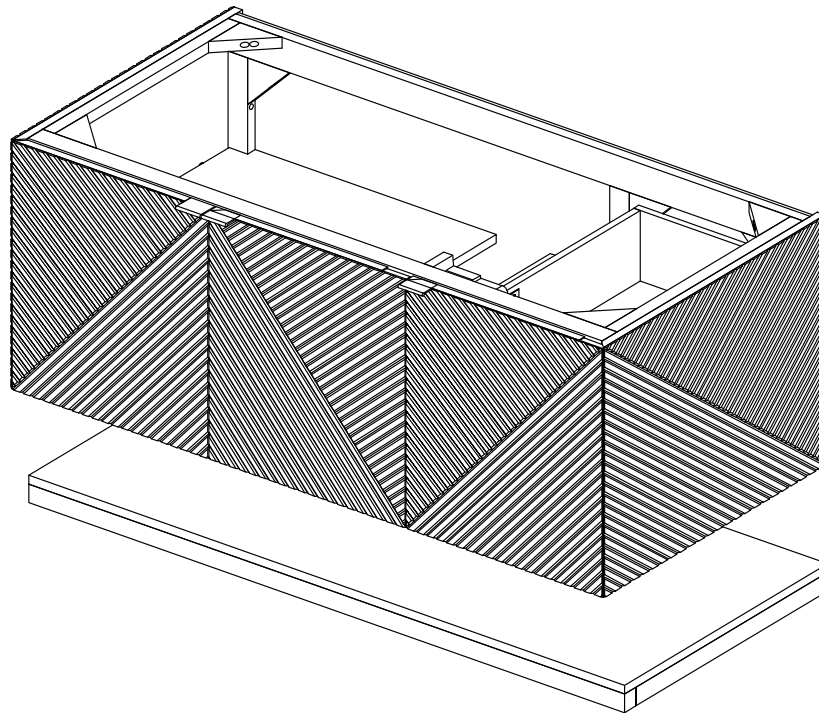
Basin Depth: 4-3/8"

Fits Drain Hole Size: 1-1/2"

All dimensions are nominal

Visit website for more information
www.onfloatingvanity.com

Assembly Instructions



Thank you for choosing this quality product. Be sure to check all packaging materials carefully for small parts that may have loosened inside the carton during shipment and place on a non-abrasive surface.

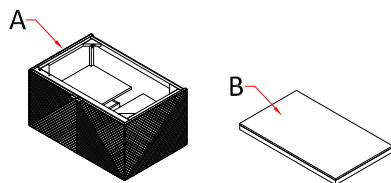
IMPORTANT STEPS BEFORE YOU BEGIN :

- For your safety and to achieve the best possible results, James Martin Vanities recommends you consult with a professional contractor.
- These parts can be cumbersome and heavy for some people, therefore the assistance of two or more people is recommended in order to prevent personal injury and ensure the product is not damaged during the assembly process.
- Ensure the vanity cabinet is in place and has been properly installed to meet plumbing codes.
- Shut off the water supply. Water supply and drain access must be in place prior to installing the counter top and sink.
- Ensure the vanity cabinet is level.

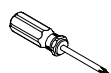
Assembly Instructions

PART LIST

- A. [1] VANITY CABINET
- B. [1] SHELF



TOOLS NEEDED



Screwdriver
(Not provided)



Drill
(Not provided)



Level
(Not provided)



Tape Measure
(Not provided)



Pencil
(Not provided)



Stud Finder
(Not provided)

HARDWARE LIST

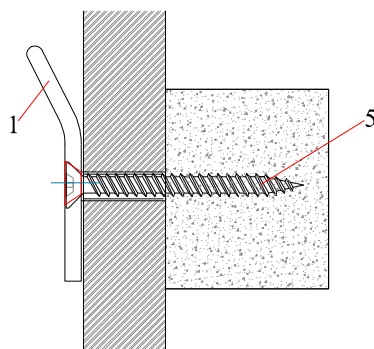
NO.	SKETCH	DESCRIPTION	SPECIFICATION	QTY.
1		French Cleat	L 27 ⁹ / ₁₆ "	1 pc.
2		Hanger Frame	28 ¹ / ₃₂ " x 14 ¹ / ₆₄ " x 1 ³⁷ / ₆₄ "	1 pc.
3		Hollow Wall Anchor	5 ⁵ / ₁₆ " x 1 ³ / ₁₆ "	16 pcs.

NO.	SKETCH	DESCRIPTION	SPECIFICATION	QTY.
4		Plastic Anchor	Ø 9 ¹ / ₁₆ " x Ø 2 ³ / ₆₄ " x 5 ⁵ / ₆₄ "	16 pcs.
5		Round-head Screw	5 ⁵ / ₃₂ " x 1 ³⁷ / ₆₄ "	16 pcs.

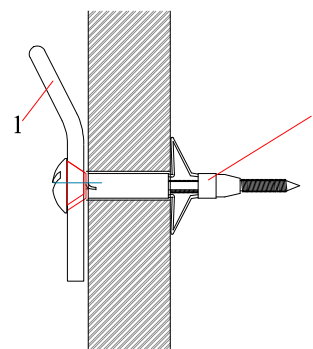
ASSEMBLY INSTRUCTIONS BY WALL TYPE

- DRYWALL WITH STUDS: Use screws to affix to studs, and use hollow wall anchors and screws to affix to drywall.
- DRYWALL WITHOUT STUDS: Drill pilot hole on each marking and then insert plastic anchor. Tighten the screws into the anchors while maintaining constant pressure on the anchor to set. Remove screws. Hold metal bracket over the inserted anchors and reinstall screws through the wall bracket holes and tighten until snug against wall.

DRY WALL WITH STUDS



DRY WALL WITHOUT STUDS

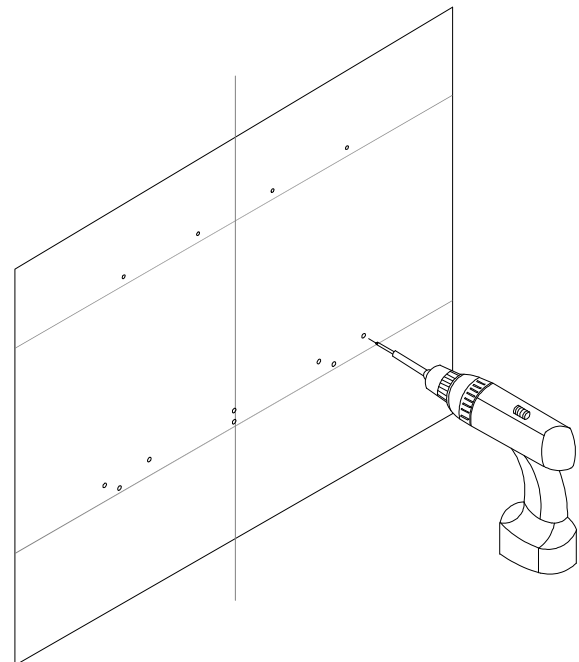
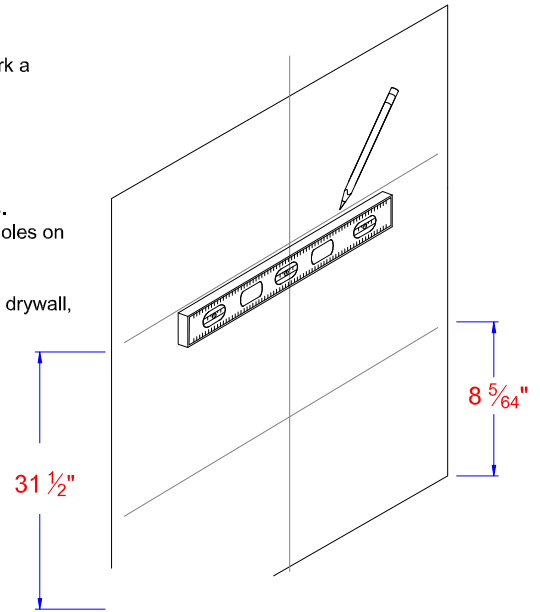
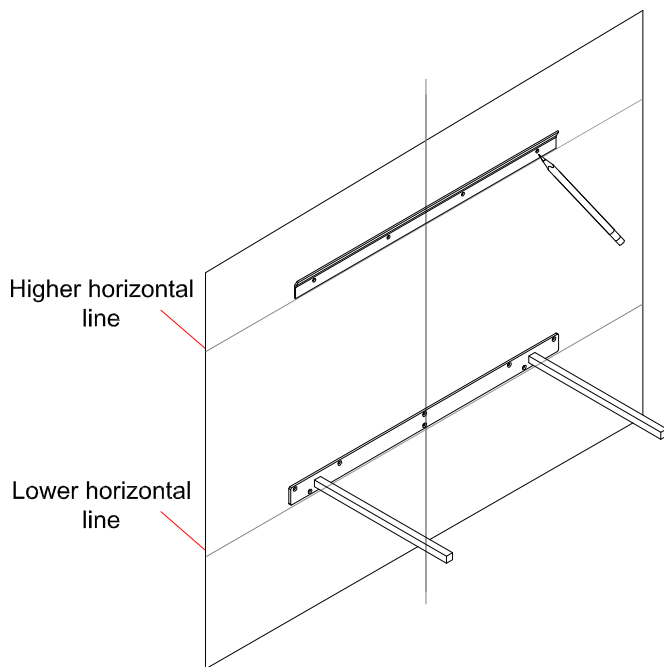


Assembly Instructions



PREPARING REPAIRING THE WALL FOR INSTALLATION

1. Carefully place the vanity cabinet (A) against the wall to the desired location and mark a center line on the wall by a pencil.
2. Remove the vanity cabinet (A) from the wall until ready for installation.
3. Draw two horizontal line across the center line:
 - $31\frac{1}{2}$ " from the floor
 - $8\frac{5}{64}$ " from the floor
4. Moving left and right of the center line, along the horizontal line locate the wall studs.
5. Place the French cleat (1) along the higher horizontal line, as shown, and mark the holes on the wall with a pencil. Repeat for the hanger frame (2) in the lower horizontal line.
6. Drill holes in each marked location with a depth no less than $\frac{1}{2}$ ". See "ASSEMBLY INSTRUCTIONS BY WALL TYPE" for mounting instructions based on your wall type drywall, or drywall and studs.

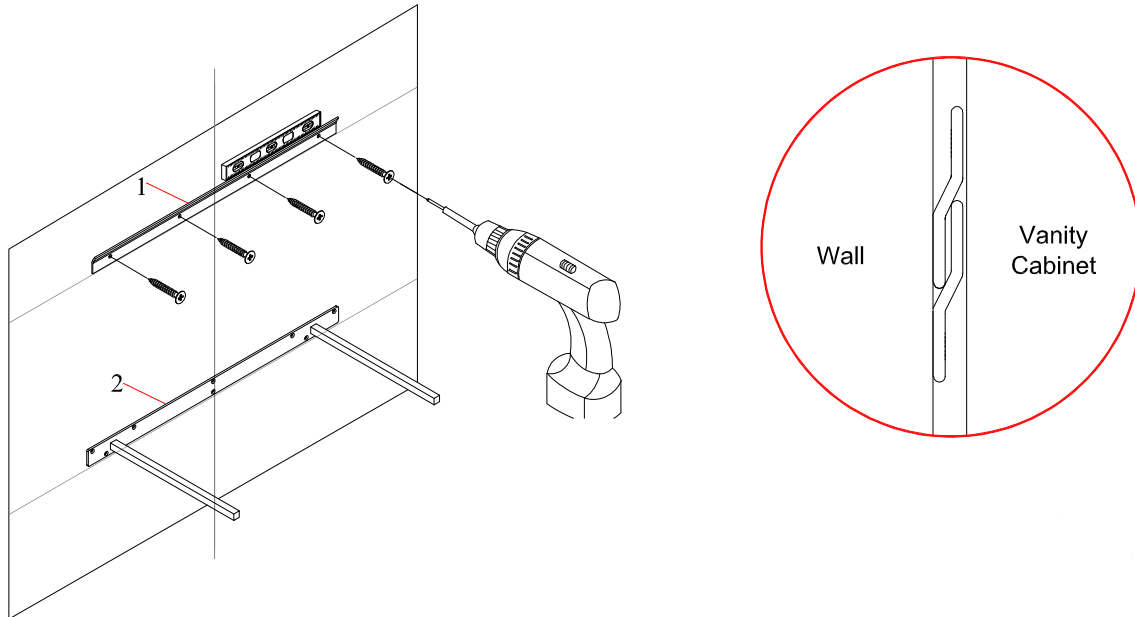


Assembly Instructions



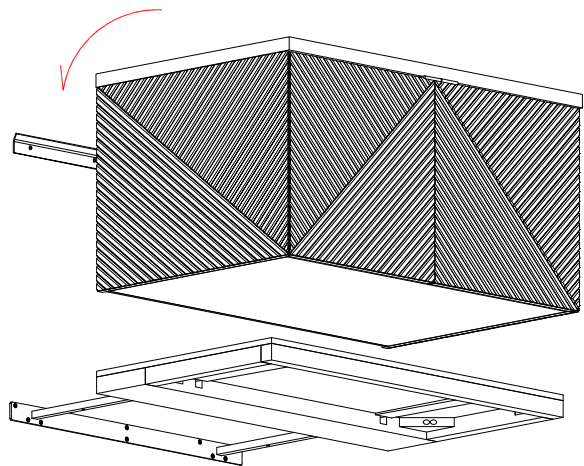
INSTALLING THE FRENCH CLEAT AND SHELF BRACKET

1. Attach French cleat (1) to the wall using the pre-marked location on the higher horizontal line and in accordance with the proper wall type for each hole. Ensure that the straight edge of the cleat is along the marked line as shown.
2. Attach the Shelf Hanger in the same manner along the lower horizontal line.



INSTALLING VANITY AND SHELF

1. Using at least two people, carefully lift the vanity cabinet (A) so the French cleat on the back of the vanity slides over and rests on the French cleat on the wall.
2. Slide the shelf (B) onto the hanger frame (2).



CARE INSTRUCTIONS

1. Dust often using a clean, soft, dry and lint-free cloth.
2. Blot spills immediately and wipe with a clean, damp, cloth.
3. We do not recommend the use of chemical cleansers, abrasives or furniture polish on our lacquered finish. Product can be cleaned using a damp cloth soaked in warm soapy water followed by wiping clean with a dry lint-free cloth.