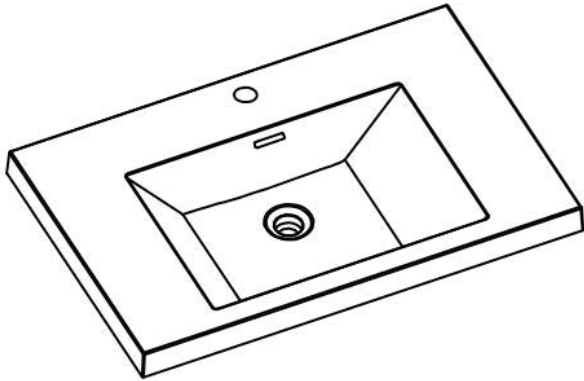
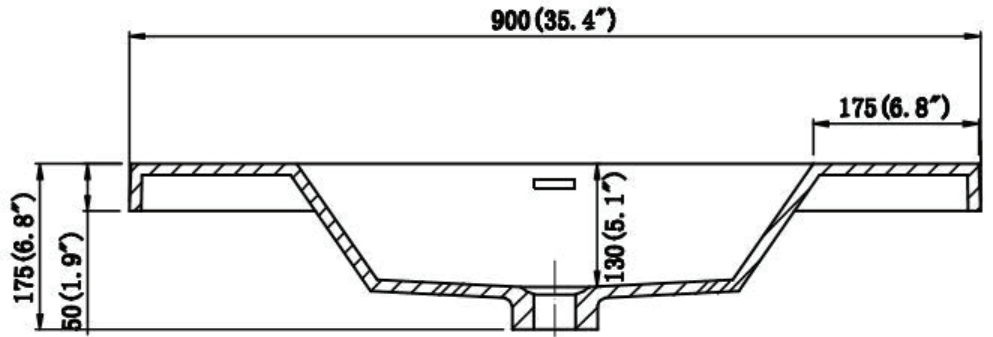
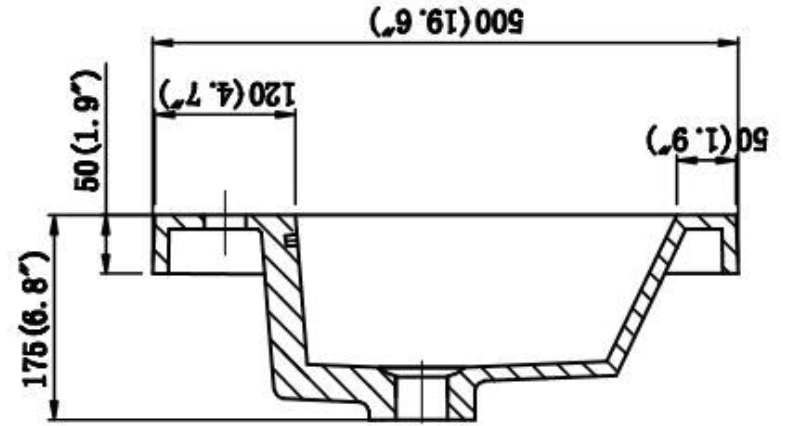
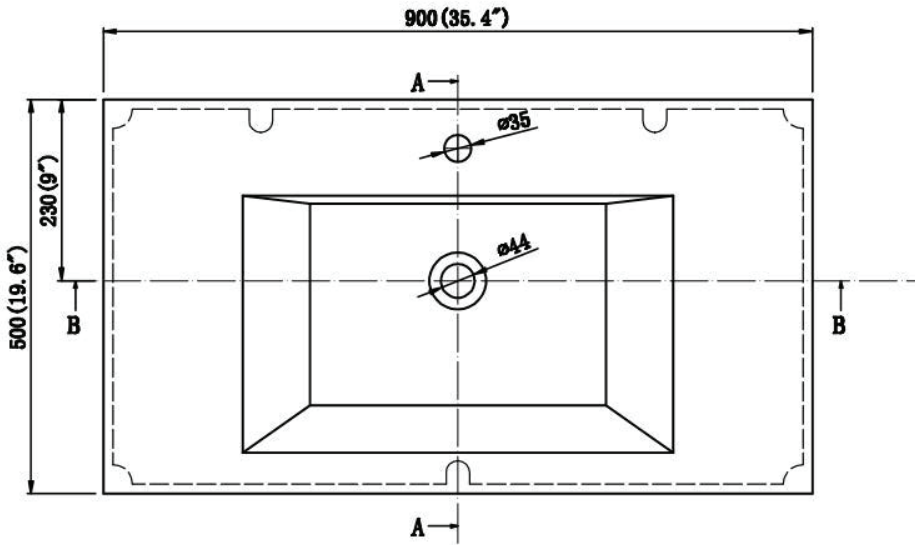


SECTION A-A



SECTION B-B



Dimensions

Assembled Depth (in.)	19.75 in	Assembled Height (in.)	22.50 in
Assembled Width (in.)	35.50 in	Basin Depth (in.)	5.00
Basin Length (in.)	12.75	Basin Width (in.)	21.50
Cabinet Depth (in.)	19.75	Cabinet Height (in.)	20.50
Cabinet Width (in.)	35.50	Countertop Depth (in.)	19.75
Countertop Height (in.)	2.00	Countertop Width (in.)	35.50
Faucet Hole Spacing (in.)	No Spacing - Single Hole	Vanity Top Thickness (in.)	2.00

Warranty / Certifications

Manufacturer Warranty	One Year Warranty		
-----------------------	-------------------	--	--

- 35.5 in. W x 19.75 in. D x 22.5 in. H
- Cabinet & Top Assembled weight: 128 lbs
- Reinforced acrylic composite top with a single sink
- Vanity top pre-drilled for 1.4 in. for a single hole faucet - faucet sold separately
- Chrome overflow pre-drilled for 1.7 in. for smooth water flow-pop drain sold separately
- Includes installation hardware and aluminum handles - mirror sold separately
- Marine veneer wood cabinet compliments the high gloss acrylic top for a durable and seamless feel
- Single vanity makes installation easier while optimizing storage space
- 2 drawers on the vanity provides ample storage space
- Scratch, stain and bacteria resistance surface is virtually maintenance free
- Integrated European soft-closing hardware
- Unit comes fully assembled for fast and easy installation
- Multi stage finish to ensure durability and quality