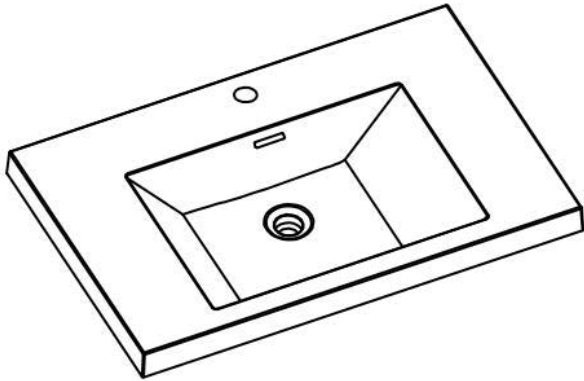
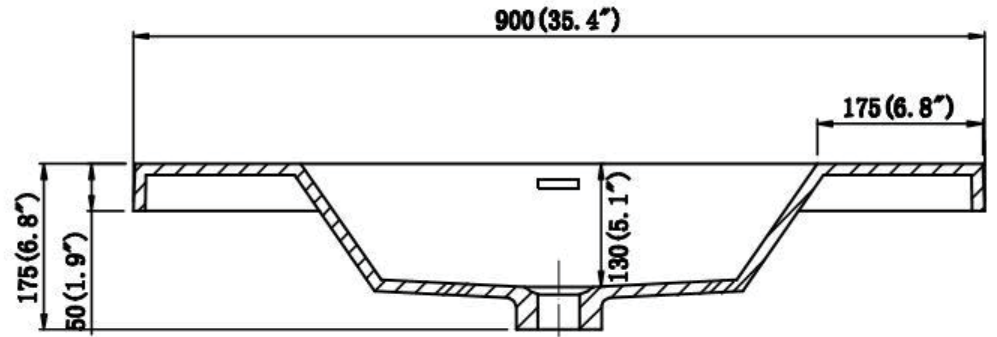
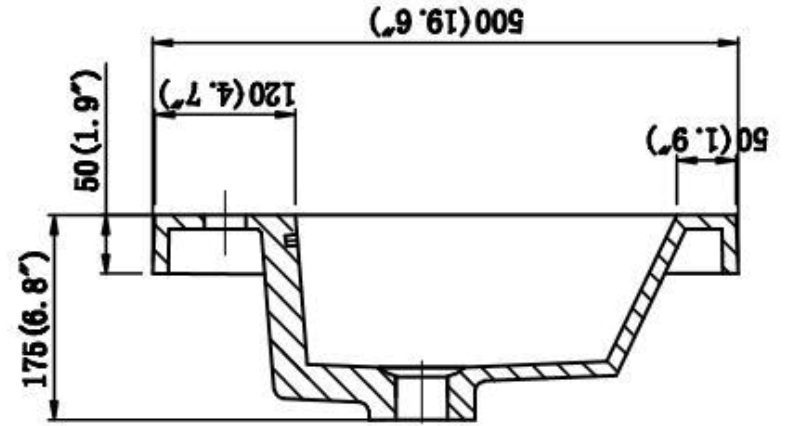
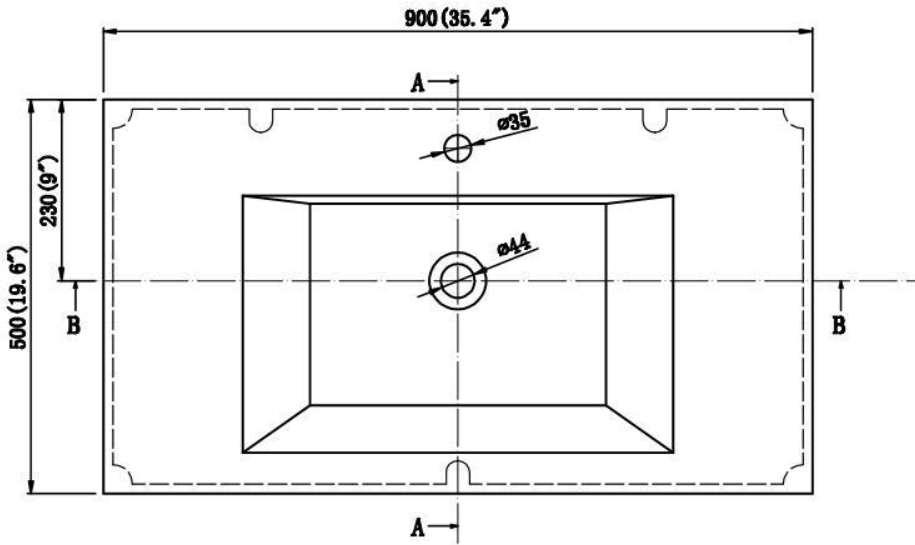


SECTION A-A



SECTION B-B



Dimensions

Assembled Depth (in.)	19.75 in	Assembled Height (in.)	35.50 in
Assembled Width (in.)	35.50 in	Basin Depth (in.)	5.00
Basin Length (in.)	12.75	Basin Width (in.)	21.50
Cabinet Depth (in.)	19.75	Cabinet Height (in.)	20.50
Cabinet Width (in.)	35.50	Countertop Depth (in.)	19.75
Countertop Height (in.)	2.00	Countertop Width (in.)	35.50
Faucet Hole Spacing (in.)	No Spacing - Single Hole	Vanity Top Thickness (in.)	2.00

Warranty / Certifications

Manufacturer Warranty	One Year Warranty		
-----------------------	-------------------	--	--

- 35.5 in. W x 19.75 in. D x 35.5 in. H
- Reinforced acrylic composite top with a single sink
- Vanity top pre-drilled for 1.4 in. for a single hole faucet-faucet sold separately
- Chrome overflow pre-drilled for 1.7 in. for smooth water flow-pop drain sold separately
- Includes installation hardware and chrome stainless steel handles--mirror sold separately
- Veneer medium density fiberboard cabinet compliments the white acrylic top for a durable and seamless feel
- Scratch, stain, and bacteria resistant surface is virtually maintenance free
- Integrated European soft-closing hardware
- Unit comes fully assembled for fast and easy installation
- Multi-stage finish to ensure durability and quality