

USER'S MANUAL

READ BEFORE USING



LURACO PRO-35K

FOR QUESTIONS, PLEASE CONTACT LURACO AT 1-800-483-9930



The Power of American Engineering®





Congratulations on your purchase of the new Luraco Pro-35K Drill

We are pleased that you have chosen Luraco Health & Beauty, LLC for your professional drill purchase. We hope you will enjoy the quality, convenience, and excellent performance of your new PRO-35K. We know from experience that you will soon be telling your friends and colleagues about the quality and performance of the Luraco PRO-35K drill, and how enjoyable it is to operate.

When you first get your PRO-35K, please charge for 4-6 hours.

Customer Assistance

For assistance with this product, please visit

www.luraco.com

Or call Luraco Health & Beauty, LLC Customer Care toll-free at

1-800-483-9930

To save time, please note your serial number and date of purchase before calling.



ATTENTION!

This product contains a rechargeable Lithium-ion battery pack. Lithium-ion batteries have a much longer life and a higher capacity compared to regular NiCad batteries. However, care must be taken when storing and using Lithium-ion batteries and all products containing Lithium-ion batteries. For prolonged storage periods, a temperature of around 25°C or below 80°F is recommended. In addition, the batteries should be stored at a charged level of around **60%** of capacity. Always keep battery and drill controller away from wet and/or heated surfaces.

Over-discharging Lithium-ion batteries will result in permanent battery damage. If you need to stock PRO-35K units for a prolonged period of time, we recommend that the PRO-35K controller be charged at least once every 6 months to prevent permanent damage to the Lithium-ion battery pack.

TABLE OF CONTENTS

	Page
I. Introduction	5
II. Important Safety Instructions	5
III. Operations	6
3.1. Understanding the Drill Controller	6
3.2. Product Dimensions	7
3.3. Understanding the Drill (Hand-piece)	8
3.4. Changing the Drill Bit	8
3.5. Battery Management System	9
3.6. Troubleshooting Guide	9
3.7. Product Maintenance	10
IV. Warranty Information	10
V. Important Return Instructions	11
VI. Disclaimers	11

I. INTRODUCTION

Professional PRO-35K Drill for Nail Salons and Dental Offices by Luraco Health & Beauty, LLC.

INNOVATION + QUALITY + VALUE

Luraco Health & Beauty, LLC, one of the leading electronics equipment manufacturers, has successfully developed a new model of professional drill (PRO-35K) to bring all aspects of novel technologies, performance, and reliability into one ingenious and comprehensive piece of equipment; **truly the best drill for professionals on the market today.**

Outstanding Features:

- **True Brushless motor for long lasting performance**
- **High torque and smooth operation up to 35,000 RPM (+/-10%)**
- **Long life and rechargeable Lithium-ion battery**
- **Low vibration and low noise**
- **Light weight and portable**
- **Up to 10 hours of battery life**
- **Innovative design for manicure and pedicure professional use**
- **Uses a standard bit $\Phi 2.35$ mm**
- **Colet chuck type**
- **Aluminum and Stainless-Steel handpiece**
- **Seamless transition between wall and battery power**
- **Forward and reverse controls with variable speeds**
- **Smart overload protection**
- **15-minute auto shutoff timer**
- **Built in cradle**
- **Universal power supply (120V/220V)**
- **Designed and Made in the U.S.A. from U.S. and global components**

II. IMPORTANT SAFETY INSTRUCTIONS

When using electrical equipment, basic safety precautions should always be followed to reduce the risk of fire, electrical shock or injury.

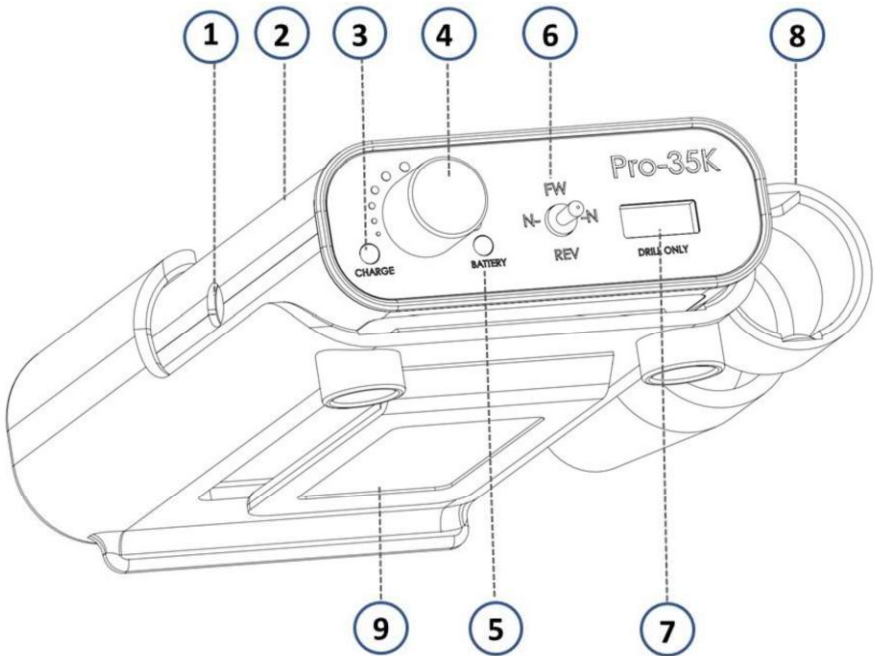
1. Read and follow all instructions before using the equipment. This equipment should not be used by children.
2. **Use only the PRO-35K handpiece!**
3. **Do not disassemble or modify the unit without authorization from Luraco Health & Beauty, LLC.** Warranty will be voided if changes are made without authorization.
4. Keep power cord and controller away from wet or hot surfaces.
5. Lock the chuck before using the hand-piece to avoid product malfunction.
6. Do not touch the hand-piece connector with wet hands.
7. Make sure the hand-piece has completely stopped before putting it down.

8. Always turn off and unplug power to the equipment before servicing. Cleaning and maintenance should not be done by children.
9. Do not insert any object into any openings and **avoid dropping the equipment**. In the event of the hand-piece being dropped, check to make sure the bit is not bent and the unit does not overheat.
10. Never operate this equipment with a damaged cord or plug. If it is not working properly, if it is dropped or damaged, or dropped into water, return the equipment to a service center for examination and repair.
11. Wear proper protective clothes and equipment, including a dust mask and safety goggles. Keep the workplace clean.

After reading this user's guide, if you have any questions or comments, please call 1-800-483-9930 or contact our technical support department at support@Luraco.com or visit our website at www.luraco.com for more information.

III. OPERATIONS

3.1. Understanding the drill controller



The Side and Front View of Drill Controller

1	Power Connector	When the power cord is plugged in, the unit will charge automatically. Use only with Luraco 11.5V Charger.
2	Drill Controller	The drill controller is the heart of the system and houses the control electronics and the battery.
3	Charge LED Indicator	Blue light indicates the drill controller is being charged.
		Off - The unit is not receiving external power.
4	Power Switch & Speed Control	Turn the knob clockwise to turn on the unit and increase the speed. Turn the knob counter-clockwise to decrease speed.
		Turn the knob counter-clockwise to the end to turn off the unit.
5	Battery LED Indicator	Green – Battery is good.
		Flashing Green – Automatic shut down in 15 minutes.
		Flashing red and green – Drill Control shuts down due to drill overload current.
		Flashing red – Battery is almost depleted.
		Solid red – Battery is severely depleted and must be recharged.
6	Drill Direction Switch	Up (Forward) the spindle will rotate in the forward direction.
		Down (Reverse) the spindle will rotate in the reverse direction.
7	Drill/Motor Connector	Where the drill connects/disconnects. Use only with the Luraco PRO-35K handpiece
8	Drill holder	Fully insert the drill here when it's not in operation
9	Carrying Clip	Use this clip to carry the PRO-35K system on user's body

3.2. Product Dimensions

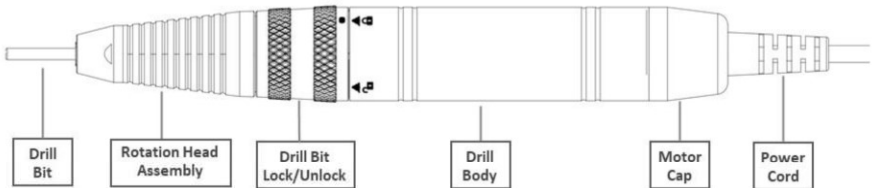
Controller: 13.28 cm * 7.30 cm * 2.56 cm

Hand Piece: 14 cm


Drill Bit: Φ 2.35 mm

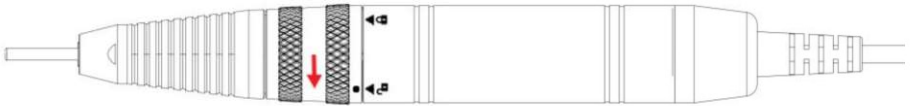
3.3. Understanding the Drill (Hand-Piece)

Parts Description




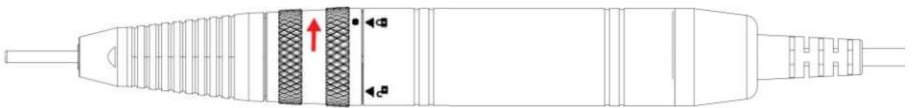
3.4. Changing The Drill Bit

Step 1) **Release** the drill bit by turning the lock clockwise so that the dot is aligned with the symbol  as shown below.



Step 2) **Change** the drill bit.

Step 3) **Lock** the drill bit by turning the lock counterclockwise so that the dot is aligned with the symbol  as shown below.



- To avoid product malfunction, always lock the hand-piece chuck/lock before using.
- Always check the bit for any damages. Do not use bent bits.

3.5 Battery Management System

Luraco PRO-35K has an onboard battery monitoring system that will monitor the Lithium-ion battery while the drill is in operation. In the event that the battery is completely depleted, simply plug the power cord into the power connector on the control unit and continue your work. It charges automatically while in use.

Battery Indicator Status	
Green Light	The battery is in the optimal range
Flashing Green	Flashing Green – Automatic shut down in 15 minutes.
Flashing Red	The battery is running low and will only provide about 1 more hour of use
Solid Red Light	The battery is critically low and should be recharged immediately
Flashing Red and Green Light	Drill Control shuts down due to drill overload current

3.6 Troubleshooting Guide

Issues	Troubleshooting	Diagnosis/Solution
Drill does not work	Connect to the charger	Working now: Battery was depleted
		Not working: Check the controller or handpiece
No charging blue light when connected to the charger	Verify that the charger is plugged in properly	Make sure to use only the Luraco 11.5V charger
Battery low warning comes on too often	Let the unit charge overnight	The battery is approaching its end of life. Call Luraco Customer Service to purchase a replacement battery
Vibration from drill bit	Change to a new drill bit	First drill bit was bent – Do not use again
Un-Expected shutdown	Turn the unit off and turn back on	Working now: Overload protection or timer shut-off Not working: Call Luraco

3.7 Product Maintenance

- Keep the area around the hand-piece clean from dust and grindings.
- Remove dust on hand-piece, wiping with isopropyl alcohol and avoid all liquids from penetrating into internal parts.
- Do not clean with water.
- **Do not apply oil** to the product. The grease inside the bearing could melt due to oil.
- Air cleaning is acceptable but do not use high air pressure.

IV. WARRANTY INFORMATION

Luraco Health & Beauty, LLC is dedicated to offering our valued customers the best buying experience available. As part of this commitment, the company works very hard to provide customers with the best warranty plan available. We guarantee that defective LURACO PRO-35K units, due to manufacturing faults, will be repaired or replaced during the effective warranty period.

ONE (1) YEAR LIMITED WARRANTY

1. This Warranty applies only to the original purchaser of this product for one (1) year from date of purchase.

2. This Warranty applies only to the repair or replacement of any supplied or manufactured parts of this product. **The warranty does not cover dropped or abused units**, wrong installations, inappropriate maintenance or repairs, and normal wear and tear of bearings, spindle, gear, and rotator.

3. Unless stipulated by law, Luraco Health & Beauty, LLC shall not be liable for any personal injury, property damages or any incidental or consequential damages of any kind resulting from malfunctions, defects, misuse, improper installation or alteration of this product.

The following conditions may void the warranty

- Dropping or excessive shock to the hand-piece or control box
- Submerging the hand-piece or control box in any liquid
- Inserting bent or damaged bits into the hand-piece
- Servicing or disassembling hand-piece or control box by any person other than authorized factory technicians.

V. IMPORTANT RETURN INSTRUCTIONS

If the need arises for return or repair, the following steps must be followed:

1. **Contact Luraco Customer Service/Tech Support at 800-483-9930** to get a case number.
2. Carefully pack the item in its original carton or other suitable container to avoid damage during shipping.
3. Before packing your unit, make sure to include the following information with your return:
 - a. **Your name with full shipping address and telephone number**
 - b. A dated receipt for **PROOF OF PURCHASE**
 - c. The **case number** that will be given in Step 1

Attach documentation detailing the problem you are having with your device. All shipping costs must be prepaid by the sender.

VI. DISCLAIMERS

Limited warranty and liability: Information in this document is believed to be accurate and reliable. However, Luraco Health & Beauty, LLC does not give any representations or warranties, expressed or implied, as to the accuracy or completeness of such information and shall have no liability for the consequences of use of such information.

In no event shall Luraco Health & Beauty, LLC be liable for any indirect, incidental, punitive, special or consequential damages (including - without limitation - lost profits, lost savings, business interruption, costs related to the removal or replacement of any products or rework charges) whether or not such damages are based on tort (including negligence), warranty, breach of contract or any other legal theory.

Right to make changes: Luraco Health & Beauty, LLC reserves the right to make changes to this product or information published in this document, including without limitation specifications and product descriptions, at any time and without notice. This document supersedes and replaces all information supplied prior to the publication hereof.



LURACO HEALTH & BEAUTY, LLC.

1140 107TH STREET

ARLINGTON, TX 76011, USA.

TEL: 817-633-1080

1-800-483-9930

FAX: 817-633-1085

WWW.LURACO.COM

PLEASE READ AND SAVE THIS IMPORTANT USER'S MANUAL