

Station Eureka

Domestic & small municipalities

UVC sterilizers range with filtration



- 316 L stainless steel chamber
- Maximum pressure : 6 bars
- Water temperature 0 to 40 °C
- Visual control cell
- Connection in opposite axis with valves
- Domed quartz sleeve
- Thermoformed plastic fixation plate with integrated electrical box
- Lamp MCR 9 000 h (lightning witness)
- Electronic Ballast
- Electromechanical hour counter
- 220 V+T Power supply
- Socket for solenoid valve or cell
- Integrated filter doors (cartridges included)

Applications

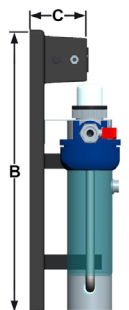
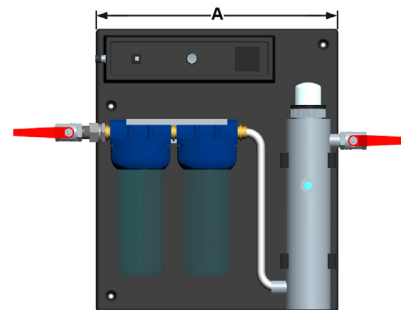
- Raw water potabilisation (drilling, catchments, wells...)
- Rainwater securisation (sanitary appliance only)
- Network water securisation

Spare parts

- UVC lamp : 9 000 hours
- O-ring : 9 000 hours
- Sleeve : 5 years



Non binding pictures*



System	Power	Weight	Dimensions		
			A	B	C
Station EUREKA 36	38 Wh	5 Kg	480	560	179
Station EUREKA 55	58 Wh	6 Kg			
Station EUREKA 95	100 Wh			560/570	185

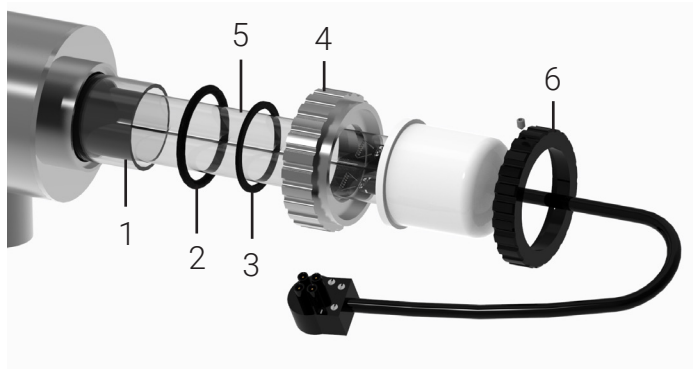
System	Reference	Max flow rate*	Electric consumption	In/Out	Filters
Station EUREKA 36	STEUR36	1,88 m3/h	1x36 W	3/4"	2x9"3/4
Station EUREKA 55	STEUR55	2,66 m3/h	1x55 W		
Station EUREKA 95	STEUR95	4,22 m3/h	1x95 W	1"	2x20"

(*). Flow rates above expressed with a UVC transmission coefficient of 98% on a 1 cm water slide for a germicidal dose delivered of 40 mJ / cm² at the end of lamp life.

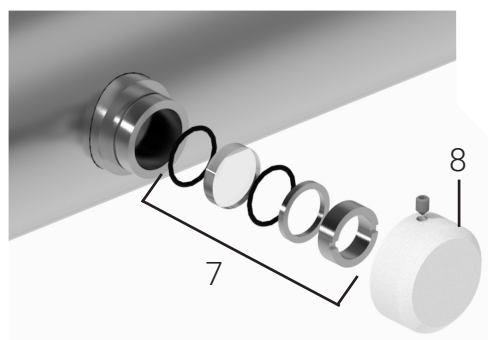
(**) Delivered with coil cartridges 20 & 5µ.

Parts drawing

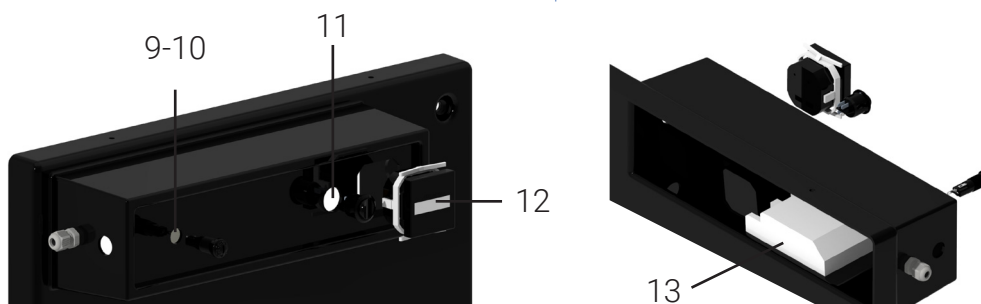
Lamp & quartz sleeve



Control cell kit



Electrical plate



N°	SYSTEM	REFERENCE
STATION EUREKA 36		
5	UVc lamp 36 W MCR	18LMCR36E0.3
1	Quartz sleeve FB Ø44	19GEUR18/36
13	Electronic Ballast	18BTAVS1836
STATION EUREKA 55		
5	UVc lamp 55 W MCR	18LMCR55E0.3
1	Quartz sleeve FB Ø44	19GEUR55/95
13	Electronic Ballast	18BTAVS5580
STATION EUREKA 95		
5	UVc Lamp 95 W MCR	18LMCR95E0.3
1	Quartz sleeve FB Ø44	19GEUR55/95
13	Electronic Ballast	NBE60-95-120W
STATION EUREKA 18 / 36 / 55 / 95		
2	O-ring Ø44	JT44
3	Flat seal Ø45	JP45
4	Stainless gland seal Ø44	PE EUR36/55
6	Blocking lamp ring	BD EUR36/55/95
7	Visual control cell	NKREG
8	White look cover + screw	OTVA
9	Fuse holder	PFUS
10	6 fuses kit 1A	FUS1
11	Round on/off switch	INT
12	Hour counter	NCM48/48