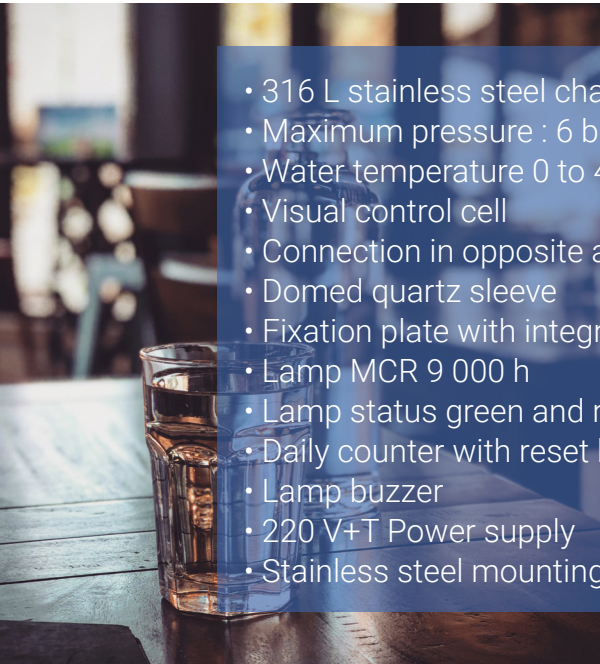


Eureka Mob

Domestic & small municipalities

UVc sterilizers range without filtration



- 316 L stainless steel chamber
- Maximum pressure : 6 bars
- Water temperature 0 to 40 °C
- Visual control cell
- Connection in opposite axis
- Domed quartz sleeve
- Fixation plate with integrated electrical box
- Lamp MCR 9 000 h
- Lamp status green and red LED
- Daily counter with reset button
- Lamp buzzer
- 220 V+T Power supply
- Stainless steel mounting base

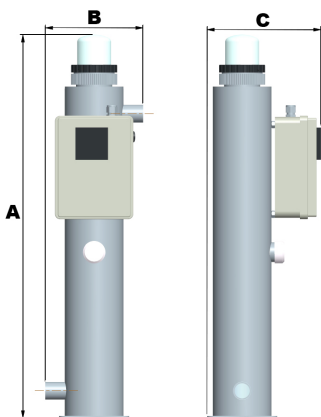


Applications

- Raw water potabilisation (drilling, catchments, wells...)
- Rainwater securisation (sanitary appliance only)
- Network water securisation

Spare parts

- UVc lamp : 9 000 hours
- O-ring : 9 000 hours
- Sleeve : 5 years



System	Power	Weight	Dimensions		
			A	B	C
EUREKA MOB 36	38 Wh	6 Kg	455	148	173
EUREKA MOB 55	60 Wh		581		
EUREKA MOB 95	100 Wh		178	195	

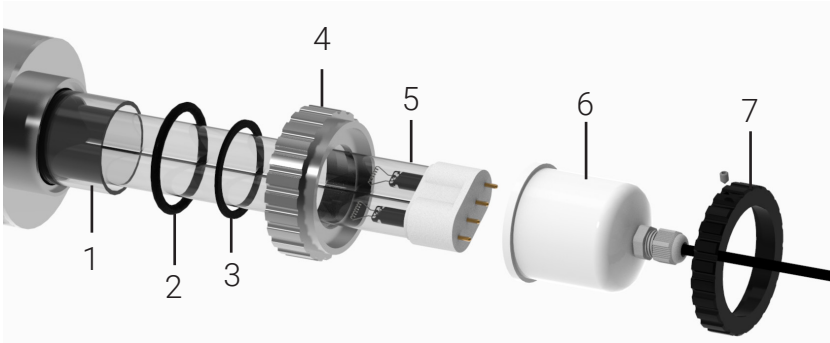
Non binding pictures*

System	Reference	Max flow rate*	Power	In/Out	Filters**
EUREKA MOB 36	EURMOB36	1,88m ³ /h	1x36 W	3/4"	2x9"3/4
EUREKA MOB 55	EURMOB55	2,66m ³ /h	1x55 W		
EUREKA MOB 95	EURMOB95	4,22m ³ /h	1x95 W	1"	

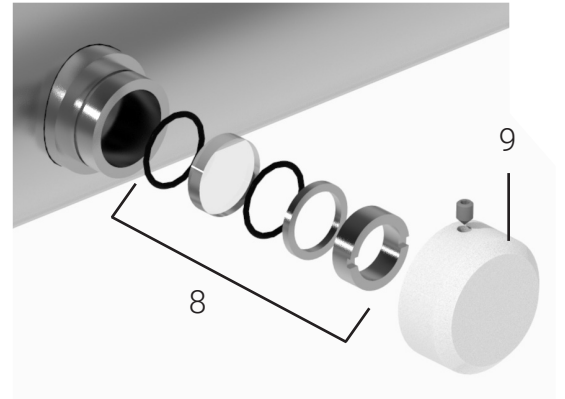
(*) Flow rates above expressed with a UVc transmission coefficient of 98% on a 1 cm water slide for a germicidal dose delivered of 40 mJ / cm² at the end of lamp life.

Parts drawing

Lamp & quartz sleeve



Control cell kit



N°	ITEM	REFERENCE
Eureka MOB 36		
5	UVc Lamp 36 W MCR	18LPLL36
1	Quartz sleeve FB Ø44	EUR18/36
	Electronic Ballast	18BTAVS1836
Eureka MOB 55		
5	UVc Lamp 55 W MCR	18LPLL55
1	Quartz sleeve FB Ø44	EUR55/95
	Electronic Ballast	18BTAVS5580
Eureka MOB 95		
5	UVc lamp 95 W MCR	18LPLL95
1	Quartz sleeve FB Ø44	EUR55/95
	Electronic Ballast	NBE60-95-120W
Eureka MOB 36/55/95		
2	O-ring Ø44	JT44
3	Flat seal Ø45	JP45
4	Stainless Gland seal Ø44	PE EUR36/55
6	Lamp cable + jar	CORDMOD
7	lamp blocking ring	BD EUR36/55/95
8	Visual control kit	NKREG
9	White look cover + screw	OTVA