

Platine Eureka

Domestic & small municipalities

UVc sterilizers range without filtration



- 316 L stainless steel chamber
- Installation : horizontal or vertical
- Maximum pressure : 6 bars
- Water temperature 0 to 40 °C
- Visual control cell
- Connection in opposite axis
- Domed quartz sleeve
- Electric box on chamber
- 9000 h single-ended lamp
- Electronic Ballast
- 220 V+T Power supply

Applications

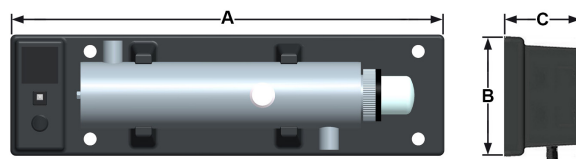
- Raw water potabilisation (drilling, catchments, wells...)
- Rainwater securisation (sanitary appliance only)
- Network water securisation

Spare parts

- Lampe UVc : 9 000 hours
- Joint : 9 000 hours
- Gaine : 5 years



Non binding pictures*



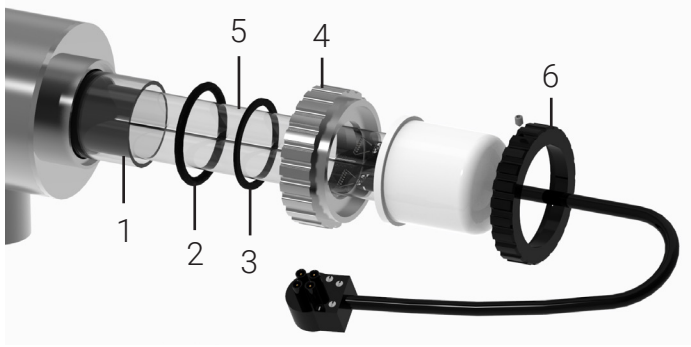
System	Power	Weight	Dimensions		
			A	B	C
Platine EUREKA 36	38 Wh	5 Kg	600	165	130
Platine EUREKA 55	58 Wh		715	168	
Platine EUREKA 95	100 Wh	6 Kg			

System	Reference	Max flow rate*	Power	In/Out
Platine EUREKA 36	11PEUR36	1,88 m3/h	1x36 W	3/4"
Platine EUREKA 55	11PEUR55	2,66 m3/h	1x55 W	
Platine EUREKA 95	11PEUR95	4,22 m3/h	1x95 W	1"

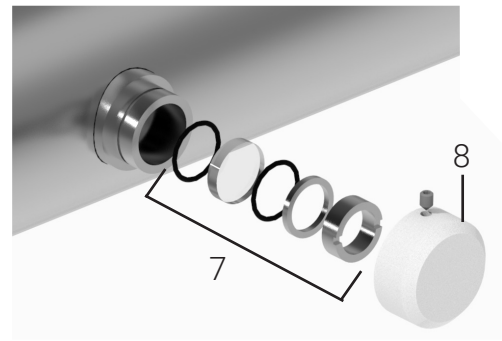
(*) Flow rates above expressed with a UVc transmission coefficient of 98% on a 1 cm water slide for a germicidal dose delivered of 40 mJ / cm² at the end of lamp life.

Parts drawing

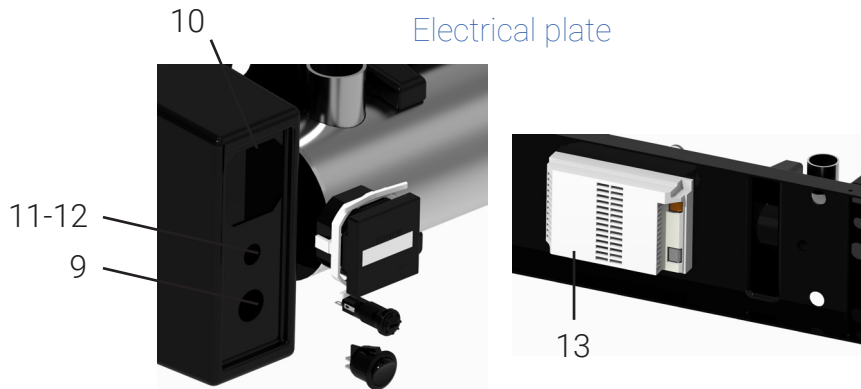
Lamp & quartz sleeve



Control cell kit



Electrical plate



N°	ITEM	REFERENCE
PLATINE EUREKA 36		
5	UVc Lamp 36 W MCR	18LMCR36E0.3
1	Quartz sleeve FB Ø44	19GEUR18/36
13	Electronic Ballast	18BTAVS1836
PLATINE EUREKA 55		
5	UVc Lamp 55 W MCR	18LMCR55E0.3
1	Quartz sleeve FB Ø44	19GEUR55/95
13	Electronic Ballast	18BTAVS5580
PLATINE EUREKA 95		
5	UVc lamp 95 W MCR	18LMCR95E0.3
1	Quartz sleeve FB Ø44	19GEUR55/95
13	Electronic Ballast	NBE60-95-120W
PLATINE EUREKA 18 / 36 / 55 / 95		
2	O-ring Ø44	JT44
3	Flat seal Ø45	JP45
4	Stainless Gland seal Ø44	PE EUR36/55
6	lamp blocking ring	BD EUR36/55/95
7	Visual control kit	NKREG
8	White look cover + screw	OTVA
9	Round on/off switch	INT
10	Hour counter	NCM48/48
11	Fuse holder	PFUS
12	6 fuses kit 1A	FUS1