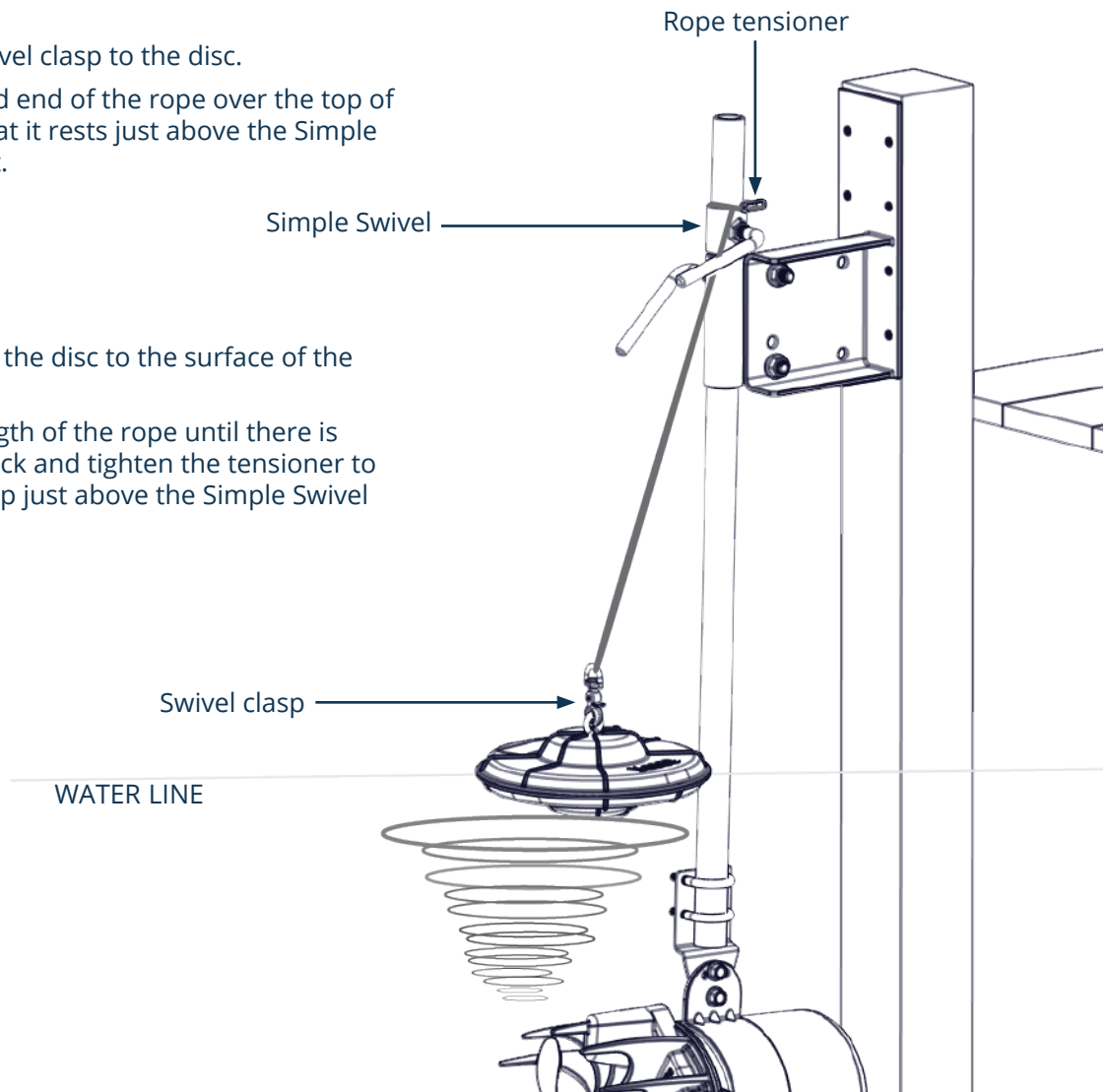


# Shallow Water Install Kit

## Kit 243609

The Shallow Water Install Kit eliminates noise at the surface of the water by disrupting the whirlpool that can form above the AquatiClear propeller in shallow installations. The kit is designed for use with dock-mounted AquatiClear units.

1. Attach the swivel clasp to the disc.
2. Slip the looped end of the rope over the top of the pipe so that it rests just above the Simple Swivel bracket.
3. Drop or lower the disc to the surface of the water.
4. Adjust the length of the rope until there is only a little slack and tighten the tensioner to secure the loop just above the Simple Swivel bracket.



When the AquatiClear is operating, the disc will be pulled toward the whirlpool to float just above it.