

User Manual

for Quiccent Storage Shelter



Please read, understand, and practice the guidelines in this user manual before use, and keep it for future reference.

6' x 6'

7' x 12'

8' x 8'

10' x 10'

Table of Contents

• About Quictent	2
• Safety Instructions	2
• 6' x 6' (Model #1116)	3
• 8' x 8' (Model #1118) & 10' x 10' (Model #1119)	7
• 7' x 12' (Model #1120)	12
• Maintenance	16
• Warranty	17
• Appendix	17

IMPORTANT

We'd love to hear from our customers. If you have any questions about the manual or would like us to help in any way, please feel free to contact the support team. We will reply in 12 hours (business days).

- Check **the Spam** and your **email Settings** if you do not receive a reply in time as it is probably blocked because our support team will always get back to you no later than the timeframe.
- Add the following email address to your CONTACT LIST in case of any blocking.
- **Email: sales@quictents.com, maxlead.us@gmail.com**

This user manual applies to Quictent Storage Shelter. It will help you to get to know your Quictent storage shelter. Please read the guidelines in this manual and keep the manual for future reference.

We may update the manual without notice in advance. You can always search "**Quictent Instructions**" online for the latest version.

About Quiccent

Founded in the early 21st century, Quiccent has grown into a popular brand with reliable products and excellent customer service during the past decades. We started with pop up canopies, and then expanded to other more categories of shelters and the like including party tents, carports, greenhouses, garden beds, grow tents, shade sails, patio umbrellas and RV covers. Driven by the vision to create unique spaces to meet every specific need and become a part of America's landscape, we at Quiccent would spare no effort to keep innovating.

Our Vision

To create unique spaces to meet every specific need, and become a part of America's landscape.

Our Mission

To keep innovating and provide a wide range of reliable shelters and shades at consumer-grade prices with customer-first service.

Our Service

The customer-centric service is what we at Quiccent take great pride in. In addition to the hassle-free warranty covering all Quiccent products, an industrial-leading support team is standing behind at all times. Whenever you need help or have any suggestions and comment about our products, do not hesitate to reach us via sales@quiccents.com or maxlead.us@g-mail.com. You're sure to get a to-the-point reply in 12 hours.

Safety Instructions

You should read, understand, and practice safety instructions in this chapter. For any damages due to not obeying guidelines as instructed, the owner (user) should take full responsibility.



Please ALWAYS weigh down your storage shelter with sandbags, auger anchors, and (or) pegs.



Please do NOT place something heavy on the top as the shelter is designed to be a temporary structure.



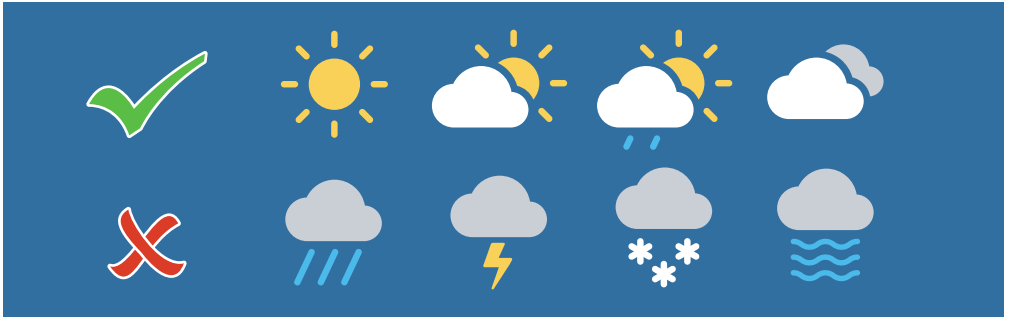
Please do NOT light a fire inside and keep any heat source away from your storage shelter.



Do NOT throw away the original packaging cartons in case of a return or an exchange.

Reminder

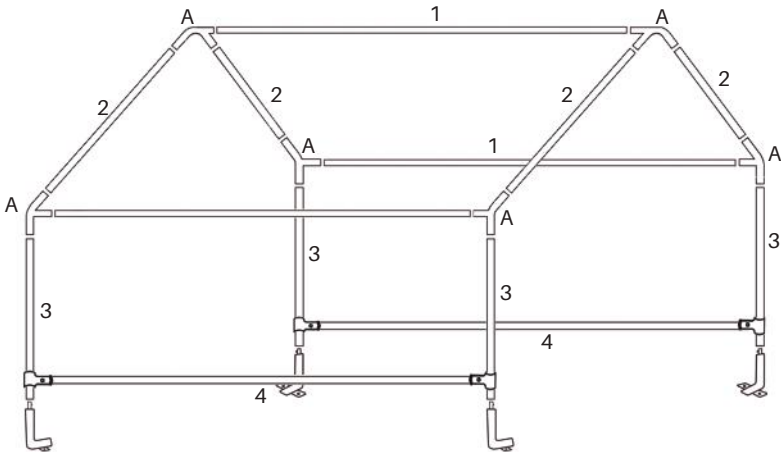
Do not use and leave the shelter outside in inclement weather. The owner (or user) should take down the structure for any potential inclement weather, including high winds, heavy rains, sleet, snow, and the like, or he (she) should take the loss.



6' x 6' (Model #1116)

Parts List

You'll receive one (1) box for this model. Please pay particular attention to making sure all parts are numbered and graphically indexed as shown on the **Parts List**, so does the quantity for each part. If you need any help, please contact us promptly (sales@quictents.com or maxlead.us@gmail.com) with the **ORDER NUMBER, REQUIRED PARTS (NAME, QUANTITY, AND PART NUMBER), PICTURES (OR VIDEO CLIPS, IF APPLICABLE)**, we'll get back to help out soon.

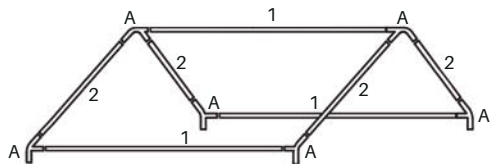
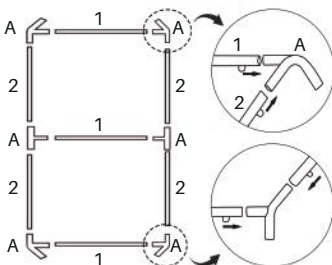


Part Number	Diagram	Description	Quantity (PCS)
#1		Steel Pole	3
#2		Steel Pole	4
#3		Steel Pole	4
#4		Steel Pole	2
#A		3-Way Corner Connector	6
#B		Curved Foot Base	4
#C		Screw (M6 x 45 mm)	8
#D		Metal Clip	8
#E		Bungee Cord	38
#F		Wrench	2
#G		Auger Anchor	8
#H		Cover	1
#I		Zipper Door	2
#J		Ratchet Clamp	4

Assembly Steps

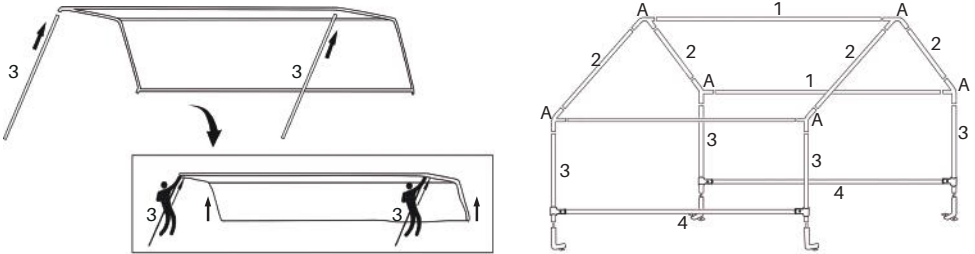
- Before the assembly, please check to make sure that you have all the parts listed on the **Parts List** above.
- Please use the Wrench (#F) whenever you need to tighten/loosen the screws

Step 1 Layout and assemble the roof frame as instructed with the poles (3 x part #1, 4 x part #2) and the connectors (6 x part #A).



Step 2 Assemble the mainframe.

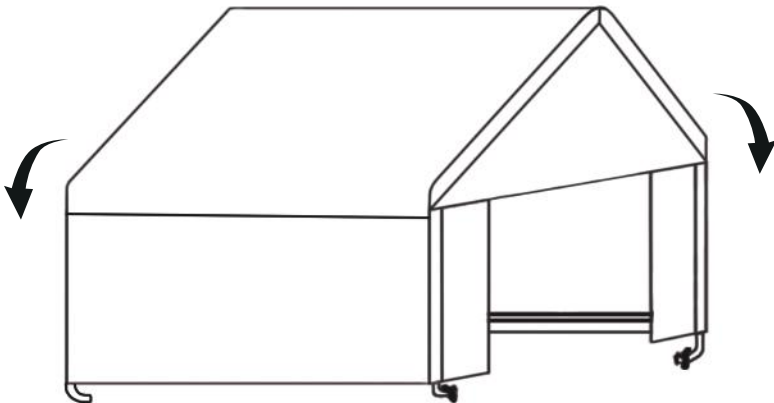
- a) Attach 2 x poles (#3) to the connectors (#A) on one side, then lift the structure from another side.
- b) Attach another 2 x poles (#3) to the connectors (#A) on the other side.
- c) Align the two ends of 2 x Ground Bars (#4) with the poles (#3), then reinforce each of their joints with 2 x Metal Clips (#D), and finally insert & tighten each joint with a Screw (M6 x 45 mm, #C).
- d) Attach the 4 x Curved Foot Bases (#B) to the poles (#3) with the Screws (M6 x 45 mm, #C).



Step 3 Put the Cover (#H) on the roof frame.

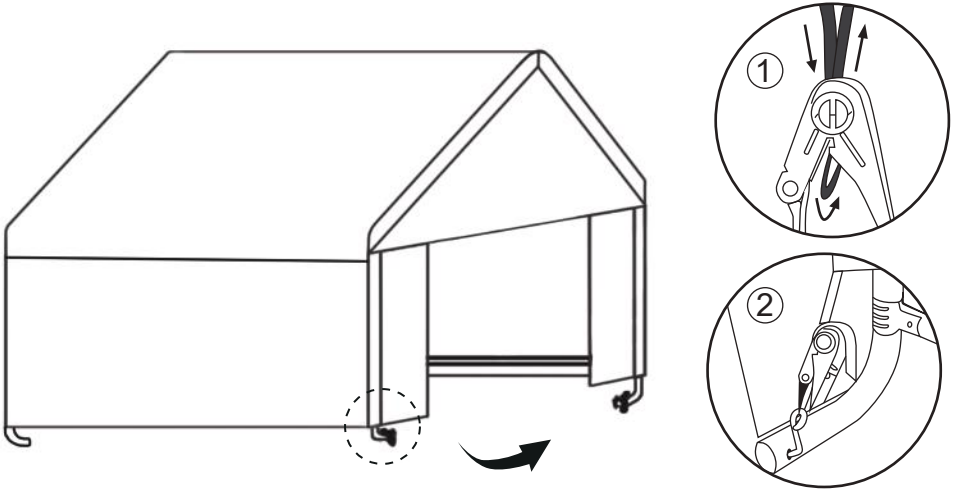
IMPORTANT

- The built-in webbing should face down on the front and rear of the corner of the structure.
- Please make sure the cover hangs at all four corners equally.



Step 4 Assemble the 4 x Ratchet Clamps (#J) at the four corners.

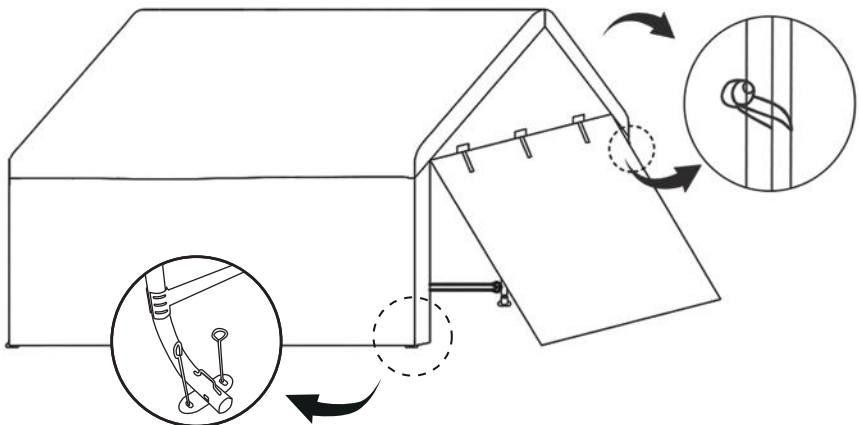
- a) Thread the built-in webbing of the roof cover into the Ratchet Clamp (#J).
- b) Adjust the webbing until the roof cover is properly tightened.
- c) Hook the Ratchet Clamp (#J) with the Curved Foot Bases (#B).



Step 5 Attach the 2 x Zipper Doors (#I) to the poles (#2) with Bungee Cords (#E).

Reminder

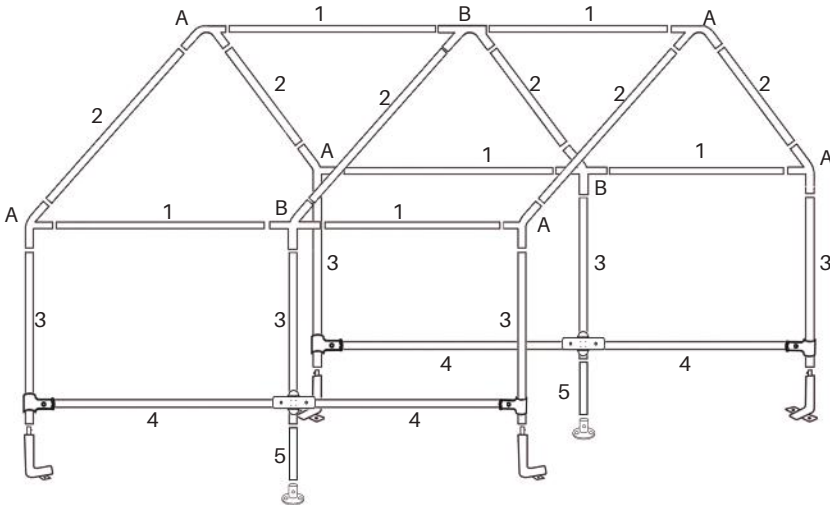
We always recommend you secure the structure by slowly screwing the Auger Anchors (#G) into the ground.



8' x 8' (Model #1118) & 10' x 10' (Model #1119)

Parts List









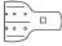
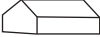



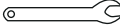

Model #1118 & Model #1119 share the same structure as below. You'll receive one (1) box for each. Please pay particular attention to making sure all parts are numbered and graphically indexed as shown on **Parts List 1 & Parts List 2**, so does the quantity for each part. If you need any help, please contact us promptly (sales@quictents.com or maxlead.us@gmail.com) with the **ORDER NUMBER, REQUIRED PARTS (NAME, QUANTITY, AND PART NUMBER), PICTURES (OR VIDEO CLIPS, IF APPLICABLE)**, we'll get back to help out soon.











Applicable Models: Model #1118 & Model #1119





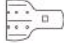
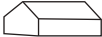



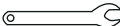

Parts List 1. For Model #1118

Part Number	Diagram	Description	Quantity (PCS)
#1		Steel Pole	6
#2		Steel Pole	6
#3		Steel Pole	6
#4		Steel Pole	4

Part Number	Diagram	Description	Quantity (PCS)
#5		Steel Pole	2
#A		3-Way Corner Connector	6
#B		4-Way Corner Connector	3
#C		Curved Foot Base	4
#D		Foot Base	2
#E		L-Shaped Peg	2
#F		Auger Anchor	8
#G		Screw (M6x 45 mm)	16
#H		3-Way Metal Clip	8
#I		Cover	1
#J		Zipper Door	2
#K		Bungee Cord	40
#L		4-Way Metal Clip	4
#M		Wrench	2
#N		Ratchet Clamp	4

Parts List 2. For Model #1119

Part Number	Diagram	Description	Quantity (PCS)
#1		Steel Pole	6
#2		Steel Pole	6
#3		Steel Pole	6
#4		Steel Pole	4
#5		Steel Pole	2
#A		3-Way Corner Connector	6
#B		4-Way Corner Connector	3
#C		Curved Foot Base	4

Part Number	Diagram	Description	Quantity (PCS)
#D		Foot Base	2
#E		L-Shaped Peg	2
#F		Auger Anchor	8
#G		Screw (M6x 45 mm)	16
#H		3-Way Metal Clip	8
#I		Cover	1
#J		Zipper Door	2
#K		Bungee Cord	46
#L		4-Way Metal Clip	4
#M		Wrench	2
#N		Ratchet Clamp	4

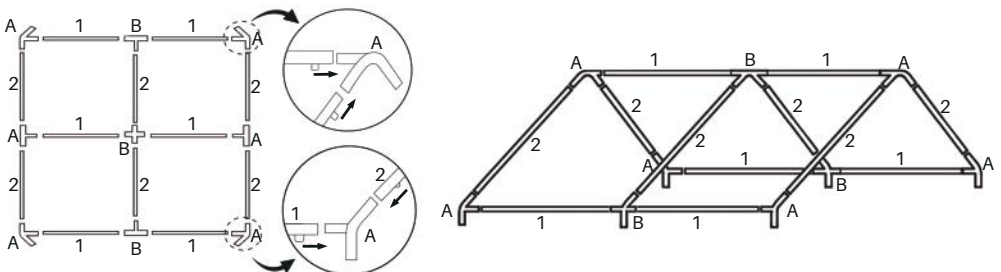
Assembly Steps

The assembly steps for model #1118 & model #1119 are the same.

Reminder

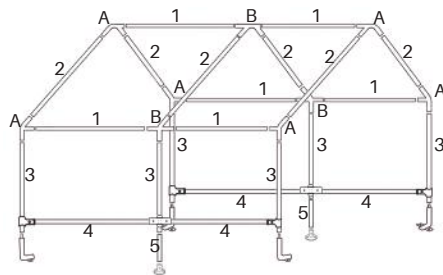
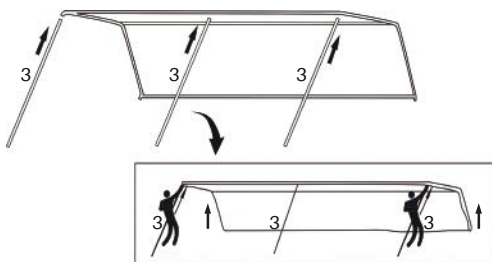
- Before the assembly, please check to make sure that you have all the parts listed on the **Parts Lists** above.
- Please use the Wrench (#M) whenever you need to tighten/loosen the screws

Step 1 Layout and assemble the roof frame as instructed with the poles (6 x part #1 & 6 x part #2) and the connectors (6 x part #A & 3 x part #B).



Step 2 Assemble the mainframe.

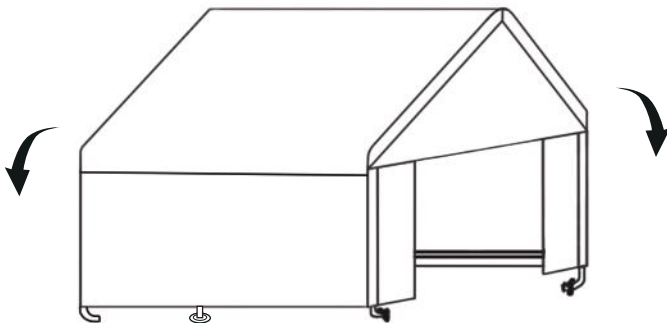
- Form a middle supporting pole by connecting a pole (#3) with a pole (#5), then repeat what you've done to form another middle supporting pole.
- On one side, attach a middle pole to the connectors (#B) on the top frame and attach 2 x poles (#3) to the connectors (#A), then lift the structure from another side.
- On the other side, repeat what you've done to attach the left poles (a middle pole & 2 x #3) to the connectors (#A & #B).
- Align the two ends of 4 x Ground Bars (#4) with the poles (#3 & #5), then reinforce each joint of poles (#3 & #4) with 2 x 3-Way Metal Clips (#H) and each joint of poles (#4 & the middle pole) with 2 x 4-Way Metal Clips (#L). Please remember that you'll use Screws (M6 x 45 mm, #G) to fix all the joints.
- Attach the 4 x Curved Foot Bases (#C) to the poles (#3) with the Screws (M6 x 45 mm, #G) and 2 x Foot Bases (#D) to the poles (#5) with the Screws (M6 x 45 mm, #G).



Step 3 Put the Cover (#I) on the roof frame.

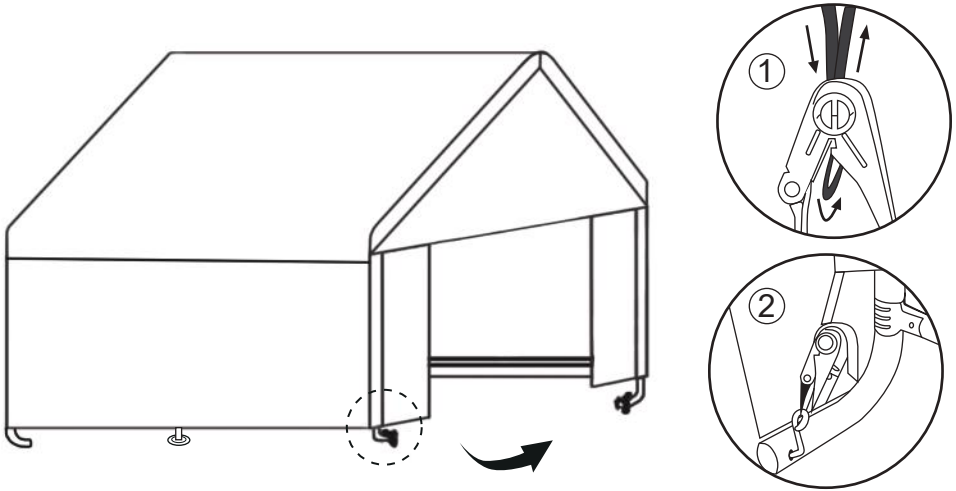
IMPORTANT

- The built-in webbing should face down on the front and rear of the corner of the structure.
- Please make sure the cover hangs at all four corners equally.



Step 4 Assemble the 4 x Ratchet Clamps (#J) at the four corners.

- a) Thread the built-in webbing of the roof cover into the Ratchet Clamp (#J).
- b) Adjust the webbing until the roof cover is properly tightened.
- c) Hook the Ratchet Clamp (#J) with the Curved Foot Bases (#B).

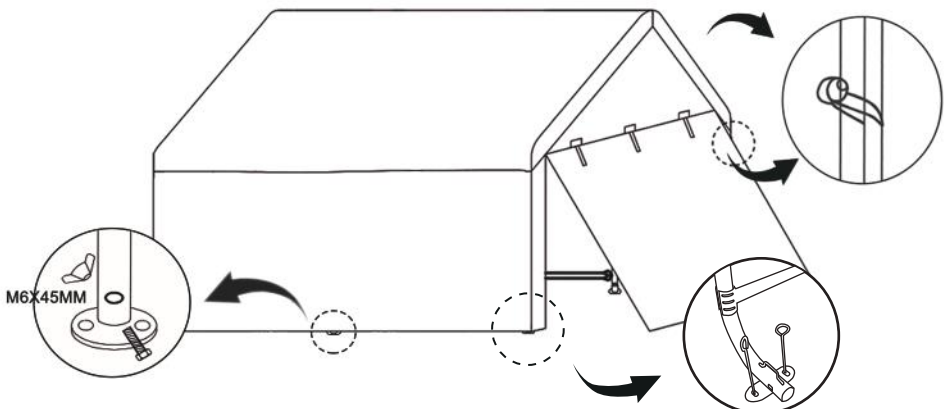


Step 5 Attach the 2 x Zipper Doors (#1) to the poles (#2) with Bungee Cords (#E).

Reminder

We always recommend you secure the structure with the auger anchors and pegs & foot bases.

- Slowly screw the Auger Anchors (#G) into the ground.
- Insert the L-Shaped Pegs (#E) into the Foot Bases (#D).



7' x 12' (Model #1120)

Parts List

You'll receive **two (2) boxes** for this model. You can identify the packages by referring to **(Table B)** below. Please also pay particular attention to making sure all parts are numbered and graphically indexed as shown on the **Parts List (Table A)**, so does the quantity for each part. If you need any help, please contact us promptly (sales@quictents.com or maxlead.us@gmail.com) with the **ORDER NUMBER, REQUIRED PARTS (NAME, QUANTITY, AND PART NUMBER), PICTURES (OR VIDEO CLIPS, IF APPLICABLE)**, we'll get back to help out soon.

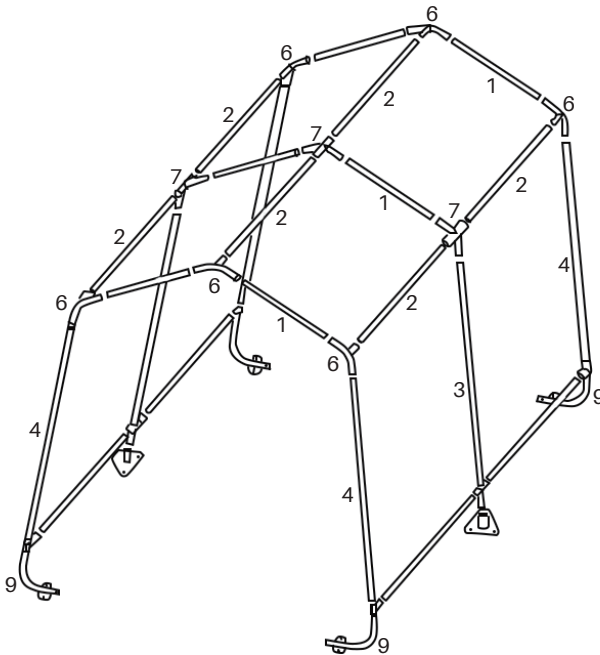


Table A. Parts List for Model #1120

Part Number	Diagram	Description	Quantity (PCS)
#1		Steel Pole	6
#2		Steel Pole	6
#3		Steel Pole	2
#4		Steel Pole	4

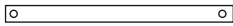



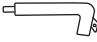







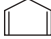
Part Number	Diagram	Description	Quantity (PCS)
#5		Steel Pole	4
#6		3-Way Corner Connector	6
#7		4-Way Corner Connector	3
#8		Foot Base	2
#9		Curved Foot Base	4
#A		Ratchet Clamp	4
#B		4-Way Metal Clip	4
#C		3-Way Metal Clip	8
#D		L-Shaped Peg	12
#E		Screw (M6 x 40 mm)	8
#F		Bungee Cord	32
#G		Cover	1
#H		Zipper Door	2

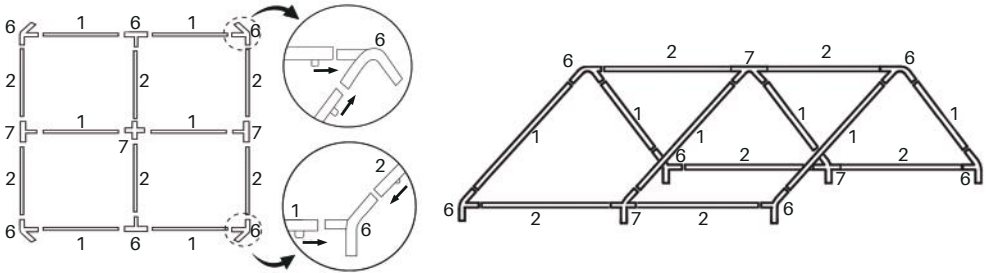
Table B. Package Contents for Shipping Cartons

Part Number	Parts Included
Box #1	<p>6 x Part #6 (3-Way Corner Connector) 3 x Part #7 (4-Way Corner Connector) 2 x Part #8 (Foot Base) 4 x Part #9 (Curved Foot Base) 4 x Part #A (Ratchet Clamp) 4 x Part #B (4-Way Metal Clip) 8 x Part #C (3-Way Metal Clip) 12 x Part #D (L-Shaped Peg) 8 x Part #E (M6 x 40 mm Screw) 32 x Part #F (Bungee Cord) 1 x Part #G (Cover) 2 x Part #H (Zipper Door)</p>
Box #2	<p>6 x Part #1 (Steel Pole) 6 x Part #2 (Steel Pole) 2 x Part #3 (Steel Pole) 4 x Part #4 (Steel Pole) 4 x Part #5 (Steel Pole)</p>

Assembly Steps

- Before the assembly, please check to make sure that you have all the parts listed on the **Parts Lists**.

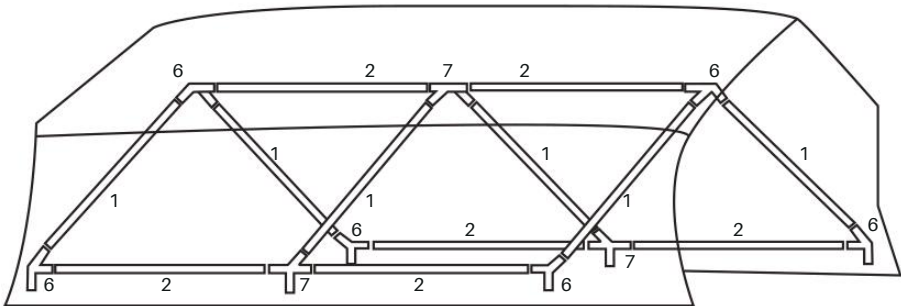
Step 1 Layout and assemble the roof frame as instructed with the poles (6 x part #1 & 6 x part #2) and the connectors (6 x part #6 & 3 x part #7).



Step 2 Put the Cover (#G) on the roof frame.

IMPORTANT

- The built-in webbing should face down on the front and rear of the corner of the structure.
- Please make sure the cover hangs at all four corners equally.

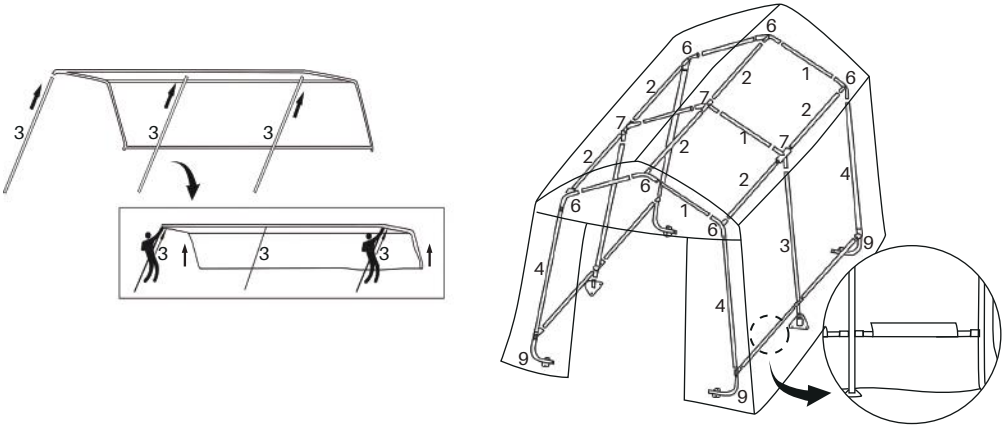


Step 3 Assemble the mainframe.

- a) On one side, attach 1 x pole (#3) to the connectors (#7) and 2 x pole (#4) to the connectors (#6), then lift the structure from another side.
- b) On the other side, repeat what you've done to attach the rest poles (1 x #3 & 2 x #4) to the connectors (#6 & #7).

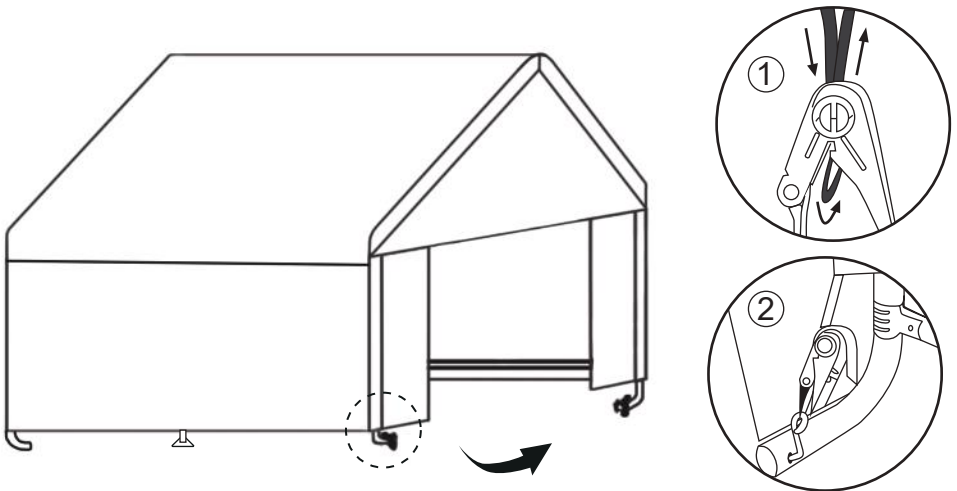
c) Align the two ends of 4 x Ground Bars (#5) with the poles (#3 & #4), then reinforce each joint of the poles (#3 & #5) with 2 x 4-Way Metal Clips (#B) and each joint of the poles (#4 & #5) with 2 x 3-Way Metal Clips (#C). Please remember that you'll use the Screws (M6 x 40 mm, #E) to fix all the joints and the Ground Bars need to pass through the cloth cover at the bottom of the tarp.

d) Attach the 4 x Curved Foot Bases (#9) to the poles (#4) with the Screws (M6 x 40 mm, #E) and 2 x Foot Bases (#8) to the poles (#3) with the Screws (M6 x 40 mm, #E).



Step 4 Assemble the 4 x Ratchet Clamps (#A) at the four corners.

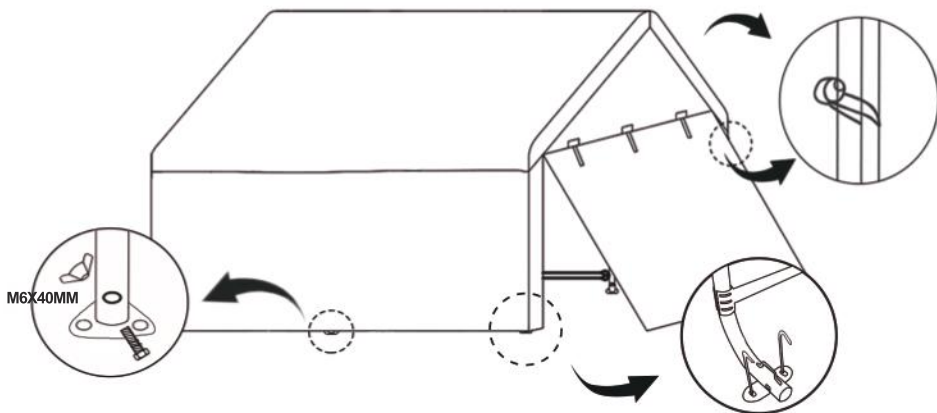
- a) Thread the built-in webbing of the roof cover into the Ratchet Clamp (#A).
- b) Adjust the webbing until the roof cover is properly tightened.
- c) Hook the Ratchet Clamp (#A) with the Curved Foot Bases (#9).



Step 5 Attach the 2 x Zipper Doors (#H) to the poles (#1) with Bungee Cords (#F).

Reminder

We always recommend you secure the structure by inserting the L-Shaped Pegs (#D) into the Foot Bases (#B).



Maintenance

To help you maintain your party tent in optimal condition, please refer to our suggestions below:

- When in use, make sure to brush off dirt and debris and keep away from potentially damaging objects.
- Clean covers and sidewalls with water and mild detergent (or non-detergent, if applicable) only.
- To prevent your party tent from rust and mildew, please clean all disassembled parts and dry them completely before storing them.
- Store the disassembled party tent in a cool and dry place and keep away from animals.
- Inspect your tent carefully before and after each use. If any rips, tears, or damage is found, stop using it and email the support team (sales@quicktents.com or maxlead.us@gmail.com) with the **ORDER NUMBER, PART NUMBER, QUANTITY REQUIRED, and ANY PHOTOS (OR VIDEO CLIPS, IF APPLICABLE)**, we will get back to you in 12 hours.

Warranty

The **12-month** limited warranty covering the materials and the craftsmanship under normal use and service conditions takes effect from the purchase date (on the invoice). Please note that the order purchase proof (order number or shipping information on the shipping carton) is the only valid evidence to claim for warranty.

Reminders

1. In the event that you failed to access your order information online, we strongly advise you to keep the original packaging and shipping carton(s) because they are treated as a proof of purchase.
2. To get what you need as soon as possible, we strongly suggest you provide all of the following information **at your first inquiry**:
 - Order number
 - Part number
 - Quantity required for each part
 - Pictures (or video clips, if applicable)

Warning

- Restructuring the product without written permission from Quicent in advance would **VOID** the warranty.
- Damages due to improper use in severe weather conditions, including but not limited to high winds, heavy rain, sleet, snow, etc., will **NOT** be covered by the warranty.

Appendix

• Shelter for Backyard, Party, Event

Pop up Canopy



Quic Tent pop up canopies serve perfectly for your outdoor events, both personally and commercially. They always provide shades for outdoor activities such as parties, picnics, outings, etc, turning everywhere into a perfect place to relax. When it comes to selling at outdoor events, they are easy to handle in all aspects - unfolding (and folding), transporting, and storing. Rich in styles, sizes, and colors, you can always find one that goes well with your needs.

Party Tent



Preparing for parties and events? We've got your back. Diverse in sizes from a small one in 10' x 8' to a regular one in 10' x 20' or 10' x 30' and to a large one in 20' x 40', you can always find a perfect solution matching your demands. What's more, they span a wide range of styles.

Metal Gazebo



Owning a Quic Tent metal gazebo is just like having another beautiful room in your backyard! The powder-coated steel frame is heavy-duty and can stand firmly outdoors for a long time. The mosquito netting adds privacy and protects you from bugs. The tan ones go with the surroundings well while the red ones are eye-catching.



Patio Umbrella

Quicent patio umbrellas turn anywhere in the open air into a perfect site to "take a breath". They are a must-have for small businesses such as an outdoor café! For homeowners, they make your backyard the best place to relax, especially when you're looking for an escape from the heavy work or energy-taking daily travails.

Shade Sail

Why Quicent provides so many choices for shade sails in colors and shapes? For aesthetics. Your patio would be pleasing to the eye if you mix shades in different colors and shapes, or overlap one a little while mounting others several feet higher or lower.



• Shelter for Vehicle

Carport



The Quicent carports share something in common: They are heavy-duty, easy-to-assemble, and of the most importance, supported by an industrial-leading after-sales service. You can choose from the ones with or without sidewalls depending on your needs.



Motorcycle Shelter

Recommended by so many riders, Quicent motorcycle shelters are proved to be the ultimate solution to protect your motorcycle from the elements. Buy one to see how the well-made cover and the heavy-duty structure realize the great protection.

Garage Shed

A Quicent outdoor storage shed is not only a budget-friendly solution to keep your belongings safe, but also helps organize your life - gone is the backyard/basement clutter.



Truck Tent



Light in weight and excellent in performance, Quicent truck bed tents are always a safer and more comfortable choice for road trips with a pickup truck. They can protect you from the elements when traveling and keep warm & keep you away from the crawling insects when sleeping. More importantly, whenever you want to stop to rest, the big awning would get you sheltered. Take one home and get your pickup ready for a trip!

RV Cover



The Quicent RV covers are a great investment for trailers of all kinds. Besides the great protection provided by the 6-layered tear-, water-, and UV-resistant cover, extra reinforced wind straps are the bonus coming with each order.

• Shelter for Plant

Greenhouse



As a necessity for all gardeners, Quicent greenhouses provide an ideal environment to ensure efficient growth and longer growing seasons. Available in mini, medium, and large walk-in ones.

Grow Tent



We highly recommend QuicTent grow tents for anyone wanting to grow indoors. Passed the SGS certification, they'll help create an optimal growing environment. You're sure to be surprised by lots of built-in features like more reflective cover materials, the big observation window, convenient hooks, a waterproof tray floor, etc. Take one home to be the master of the temperatures, lights, humidity, and the like for your plants!

Garden Bed



A QuicTent raised garden bed is highly recommended for gardening beginners since it makes you the controller of the size, location, and even soil conditions. An elevated one is the ultimate solution for gardeners with back pain or knee issues.



QT-FBM-SHED-202101