



User Manual

for Quictent Small Party Tent



Please read, understand, and practice the guidelines in this user manual before use, and keep it for future reference.

10' x 20'

10' x 30'



QT-HB-STENT-202101



Table of Contents

- About QuicTent 3
- Safety Instructions 3
- 10' x 20' Party Tent (Model #GM1401W) 5
- 10' x 30' Party Tent (Model #GM1402W) 9
- Maintenance 13
- Warranty 13

IMPORTANT

We'd love to hear from our customers. If you have any questions about the manual, have any comments or suggestions about our products and our service, or would like us to help in any way, please feel free to contact the support team. We will reply in 12 hours (business days).

- Check **the Spam** and your **email Settings** if you do not receive a reply in time as it is probably blocked because our support team will always get back to you no later than the timeframe.
- Add the following email address to your CONTACT LIST in case of any blocking.
- **Email:** sales@quictents.com, maxlead.us@gmail.com

This user manual applies to Quictent party tents in 10' x 20' and 10' x 30'. It will help you to get to know your Quictent party tent. Please read the guidelines in this manual and keep the manual for future reference.

We may update the manual without notice in advance. You can always search "Quictent Instructions" online for the latest version.

Maintenance

To help you maintain your party tent in optimal condition, please refer to our suggestions below:

- When in use, make sure to brush off dirt and debris and keep away from potentially damaging objects.
- Clean covers and sidewalls with water and mild detergent (or non-detergent, if applicable) only.
- To prevent your party tent from rust and mildew, please clean all disassembled parts and dry them completely before storing them.
- Store the disassembled party tent in a cool and dry place and keep away from animals.
- Inspect your tent carefully before and after each use. If any rips, tears, or damage is found, stop using it and email the support team (sales@quictents.com or maxlead.us@gmail.com) with the **ORDER NUMBER, PART NUMBER, QUANTITY REQUIRED, and ANY PHOTOS (OR VIDEO CLIPS, IF APPLICABLE)**, we will get back to you in 12 hours.

Warranty

The **12-month** limited warranty covering the materials and the craftsmanship under normal use and service conditions takes effect from the purchase date (on the invoice). Please note that the order purchase proof (order number or shipping information on the shipping carton) is the only valid evidence to claim for warranty.

Reminders

1. In the event that you failed to access your order information online, we strongly advise you to keep the original packaging and shipping carton(s) because they are treated as a proof of purchase.
2. To get what you need as soon as possible, we strongly suggest you provide all of the following information **at your first inquiry**:
 - Order number
 - Part number
 - Quantity required for each part
 - Pictures (or video clips, if applicable)

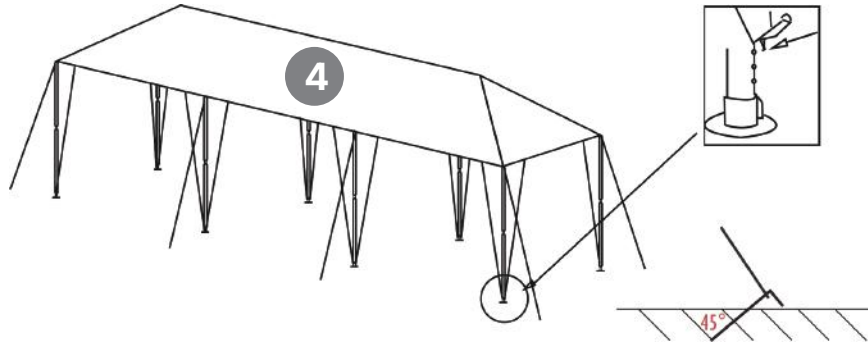
Warning

- Restructuring the product without written permission from Quictent in advance would **VOID** the warranty.
- Damages due to improper use in severe weather conditions, including but not limited to high winds, heavy rain, sleet, snow, etc., will **NOT** be covered by the warranty.

Step 4 Tighten/Loosen the leg cover by placing the built-in hooks into a proper adjusting hole (on poles #6), then secure the whole structure with Ropes (#E) and L-Shaped Stakes (#F).

Important!

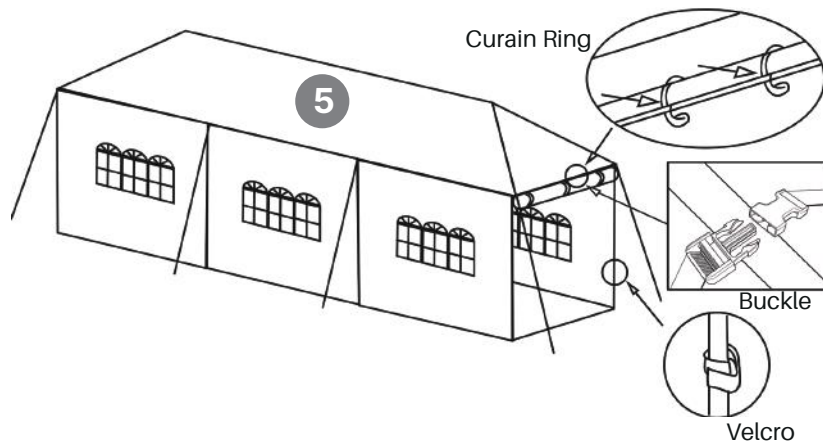
When inserting the stakes, we highly recommend you form an angle with the ground (best at the 45-degree).



Step 5 Attach the 6 x Sidewalls with Window (#C) and the 2 x Zipper Doors (#B) to the frame with velcros (built-in), buckles (built-in), and Curtain Rings (#D).

Reminder!

You can decide to attach how many pieces of sidewalls and doors as per your request.



About Quicent

Founded in the early 21st century, Quicent has grown into a popular brand with reliable products and excellent customer service during the past decades. We started with pop up canopies, and then expanded to other more categories of shelters and the like including party tents, carports, greenhouses, garden beds, shade sails, grow tents, patio umbrellas and RV covers. Driven by the vision to create unique spaces to meet every specific need and become a part of America's landscape, we at Quicent would spare no effort to keep innovating.

Our Vision

To create unique spaces to meet every specific need, and become a part of America's landscape.

Our Mission

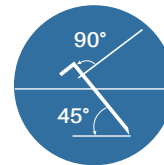
To keep innovating and provide a wide range of reliable shelters and shades at consumer-grade prices with customer-first service.

Our Service

The customer-centric service is what we at Quicent take great pride in. In addition to the hassle-free warranty covering all Quicent products, an industrial-leading support team is standing behind at all times. Whenever you need help or have any suggestions and comments about our products, do not hesitate to reach us via sales@quicents.com or maxlead.us@gmail.com. You're sure to get a to-the-point reply in 12 hours.

Safety Instructions

You should read, understand, and practice safety instructions in this chapter. For any damages due to not obeying guidelines as instructed, the owner (user) should take full responsibility.



Do NOT insert the Auger Anchors vertically. Always form an angle with the ground as shown.



Do NOT leave a tent outdoors too long as it's designed to be used as a temporary structure.



Do NOT leave a tent unattended overnight.



Do NOT light a fire inside the party tents and keep any heat source away from your tent.



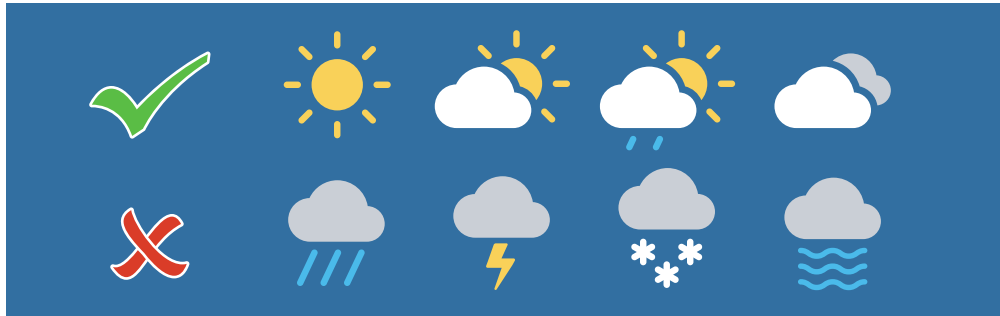
Do NOT throw away the original packaging cartons in case of a return or an exchange.



You can ALWAYS contact the support team for replacement parts whenever in need.

Reminder

Do not use and leave the structure outside in inclement weather. The owner (or user) should take down the structure for any potential inclement weather, including high winds, heavy rain, sleet, snow, and the like, or he (she) should take the loss.

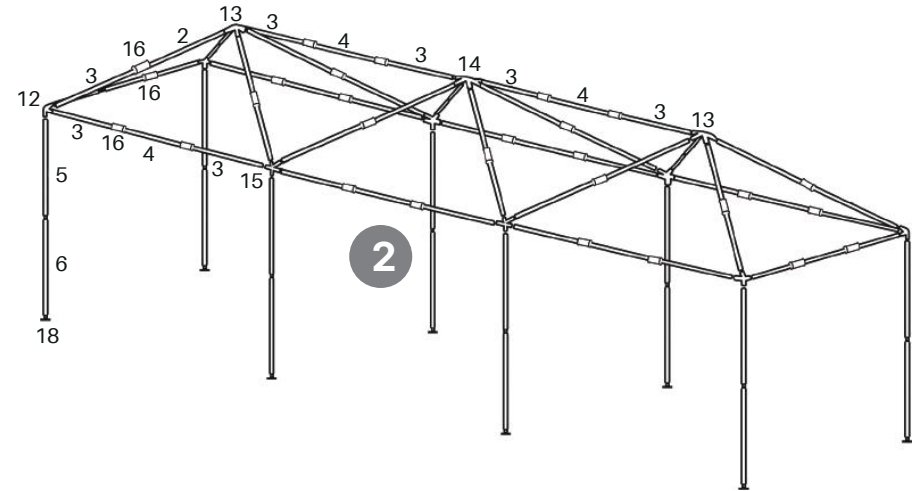


Warning

- Stop using the party tent immediately if any damage is found, or Quictent will not be liable for any loss thereafter.
- Please do NOT place heavy objects on top of a Quictent party tent, or leave it outside overnight because it's designed to be used as a temporary structure.

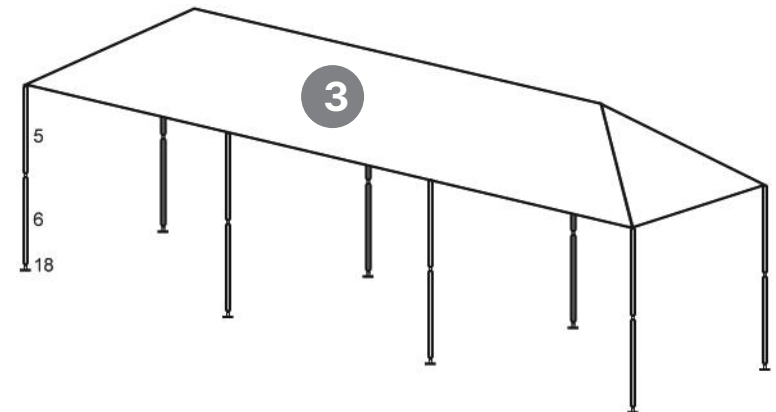
Step 2 Assemble the roof frame and the mainframe.









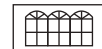



- You'll use poles of 12 x #2, 16 x #3, and 2 x #4 and connectors of 2 x #13 and 1 x #14 for the roof frame.
- Connect 8 x poles (#5) to the connectors (#12 & #15) on the top frame.
- Please remember to add the Pole Sleeves (#16) to the joints of the poles (#2, #3, and #4).



Step 3 Assemble the roof cover and finish the mainframe.

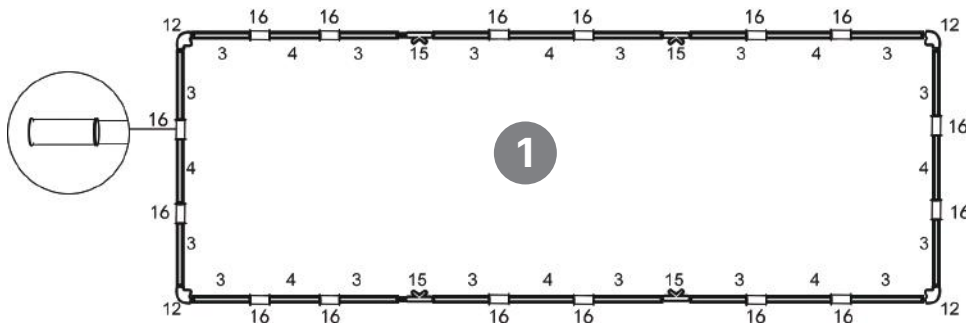
- Put the Roof Cover (#A) on the assembled roof frame.
- Connect 8 x poles (#6) to the poles (#5), and finally assemble 8 x Foot Bases (#18) to the end of poles (#6).



#12		4-Way Corner Connector	4
#13		Top 5-Way Corner Connector	2
#14		6-Way Corner Connector	1
#15		5-Way Corner Connector	4
#16		Pole Sleeve	32
#18		Foot Base	8
#A		Roof Cover	1
#B		Zipper Door	2
#C		Sidewall with Window	6
#D		Curtain Ring	48
#E		Rope	8
#F		L-Shaped Peg	16

Assembly

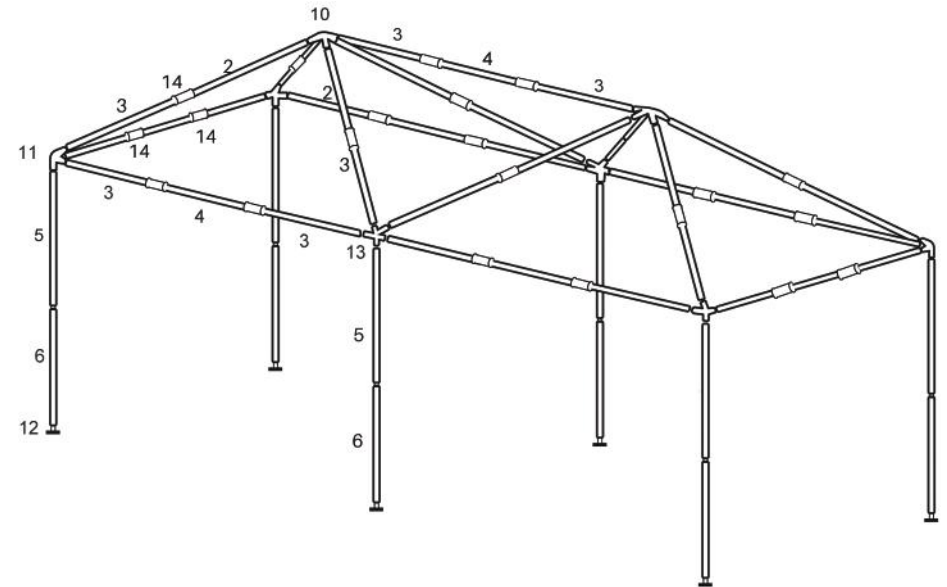
Step 1 Assemble the top frame with the poles (16 x #3 & 8 x #4) and the connectors (4 x #12 & 4 x #15). Please also add the Pole Sleeves (#16) to the joints of the poles (#3 & #4).







10' x 20' (Model # GM1401W)

Parts List

You'll receive only one (1) box. Please pay particular attention to making sure all parts are numbered and graphically indexed as shown, so does the quantity for each part. If you need any help, please contact us promptly (sales@quictents.com or maxlead.us@gmail.com) with **the order number, required parts (name, quantity, and part number for each), and photos** (or video clips, if applicable), we will get back within 12 hours (business days) to help out.



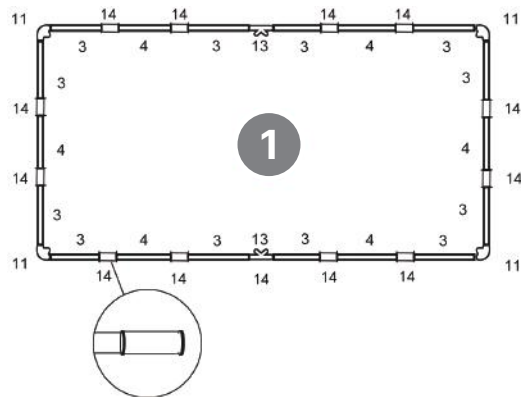
Part Number	Diagram	Description	Quantity (PCS)
#2		Steel Pole	8
#3		Steel Pole	22
#4		Steel Pole	7
#5		Steel Pole	6

Part Number	Diagram	Description	Quantity (PCS)
#6		Steel Pole with Adjusting Holes	6
#10		Top 5-Way Corner Connector	2
#11		4-Way Corner Connector	4
#12		Foot Base	6
#13		5-Way Corner Connector	2
#14		Pole Sleeve	22
#A		Roof Cover	1
#B		Zipper Door	2
#C		Sidewall with Window	4
#D		Curtain Ring	36
#E		Rope	6
#F		L-Shaped Peg	12

Assembly

Before the assembly, please check to make sure that you have all the parts listed on the **Parts Lists**.

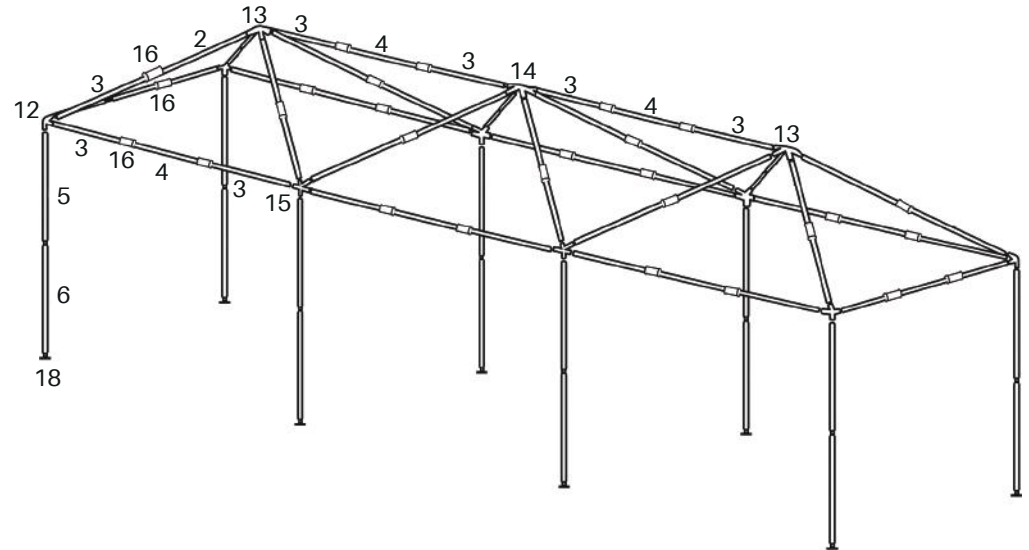
- Step 1** Assemble the top frame with the poles (12 x #3 & 6 x #4) and the connectors (4 x #11 & 2 x #13). Please also add the Pole Sleeves (#14) to the joints of the poles (#3 & #4).



10' x 30' (Model # GM1402W)

Parts List

You'll receive only one (1) box. Please pay particular attention to making sure all parts are numbered and graphically indexed as shown, so does the quantity for each part. If you need any help, please contact us promptly (sales@quictents.com or maxlead.us@gmail.com) with **the order number, required parts (name, quantity, and part number for each), and photos**, we will get back within 12 hours (business days) to help out.

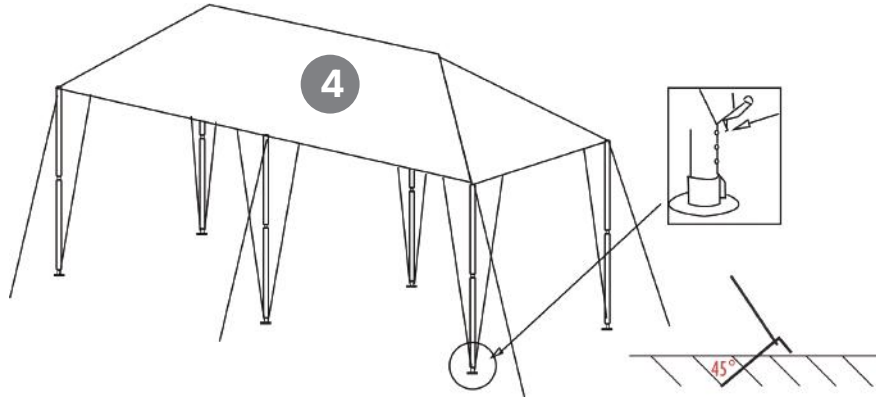


Part Number	Diagram	Description	Quantity (PCS)
#2		Steel Pole	12
#3		Steel Pole	32
#4		Steel Pole	10
#5		Steel Pole	8
#6		Steel Pole with Adjusting Holes	8

Step 4 Tighten/Loosen the leg cover by placing the built-in hooks into a proper adjusting hole (on poles #6), then secure the whole structure with Ropes (#E) and L-Shaped Stakes (#F).

Important!

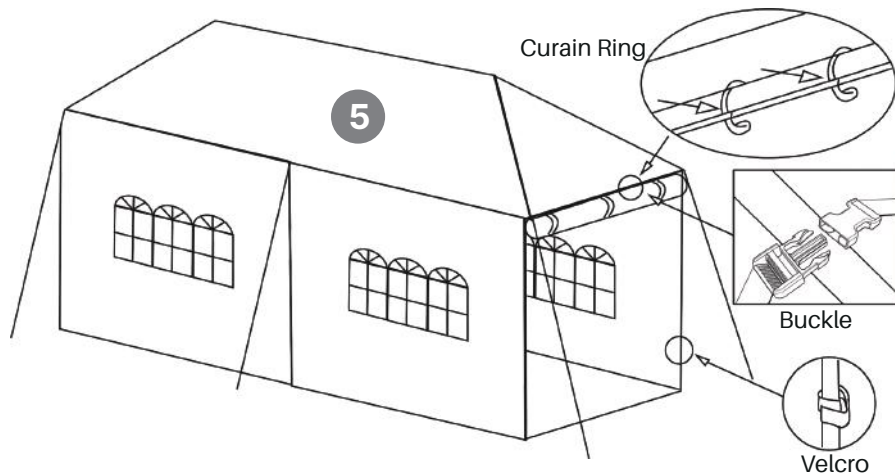
When inserting the stakes, we highly recommend you form an angle with the ground (best at the 45-degree).



Step 5 Attach the 4 x Sidewalls with Window (#C) and the 2 x Zipper Doors (#B) to the frame with velcros (built-in), buckles (built-in), and Curtain Rings (#D).

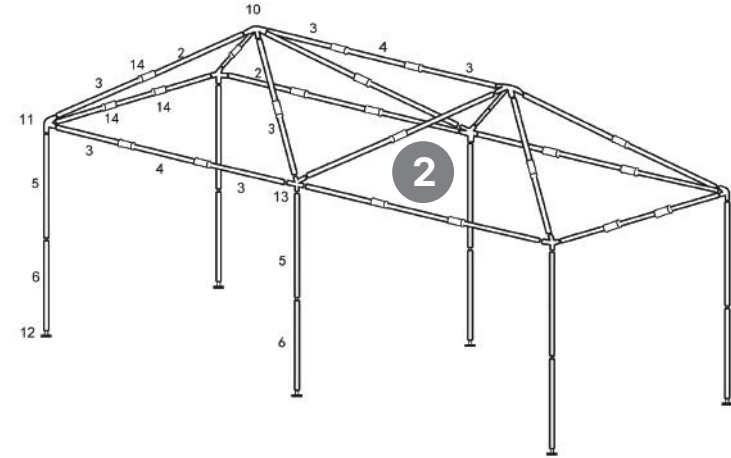
Reminder!

You can decide to attach how many pieces of sidewalls and doors as per your needs.



Step 2 Assemble the roof frame and the mainframe.

- a) You'll use poles of 8 x #2, 10 x #3, and 1 x #4 for the roof frame.
- b) Connect 6 x poles (#5) with the connectors (#11 & #13) on the top frame.
- c) Please remember to add the Pole Sleeves (#14) to the joints of the poles (#2, #3, and #4).



Step 3 Assemble the roof cover and finish the mainframe.

- a) Put the Roof Cover (#A) on the assembled roof frame.
- b) Connect 6 x poles (#6) to the poles (#5).
- c) Finally, assemble 6 x Foot Bases (#12) to the end of poles (#6).

