

QuicTent
SHELTERS FOR MOST PEOPLE

USER MANUAL



Please read, understand, and practice the guidelines in this user manual before use, and keep it for future reference.

10' x 9' x 8'

12' x 7' x 7'

20' x 10' x 6.6'

*The **Parts List** varies by the model. Please refer to the correct list for the product you have.

About Quiccent

- About Quiccent 4
- Soil Foundation Preparation 5
- 10' x 9' x 8' Greenhouse 7
(Model #1302W)
- 12' x 7' x 7' Greenhouse 11
(Model #1303G & Model #1303W)
- 20' x 10' x 6.6' Greenhouse 16
(Model #1306G & Model #1306W)
- Maintenance 20
- Warranty 21

[IMPORTANT]

We'd love to hear from our customers. If you have any questions about the manual or would like us to help in any way, please feel free to contact the support team. We will reply in 12 hours (business days).

- Check **the Spam** and your **Email Settings** if you do not receive a reply in time as it is probably blocked because our support team will always get back to you no later than the time frame.
- Add the following email address to your CONTACT LIST in case of any blocking.
- Email: **sales@quiccents.com, maxlead.us@gmail.com.**

Other Greenhouses from Quiccent



Size: **25' x 10' x 6.6"**
Model **#1319W**



Size: **56" x 56" x 77"**
Model **#1317**



Size: **56" x 29" x 77"**
Model **#1309**



Size: **98" x 49" x 53"**

Model **#0163K**



Size: **95" x 36" x 36"**

Model **#1318**



Size: **71" x 36" x 36"**

Model **#1312W**

This user manual applies to Quiccent greenhouses. It will help you to get to know your Quiccent greenhouse. Please read the guidelines in this manual and keep the manual for future reference.

We may update the manual without notice in advance. You can always search **“Quiccent Instructions”** online for the latest version.

About Quiccent

Founded in the early 21st century, Quiccent has grown into a popular brand with reliable products and excellent customer service during the past decades. We started with pop up canopies, and then expanded to other more categories of shelters and the like including party tents, carports, greenhouses, garden beds, grow tents, shade sails, patio umbrellas and RV covers. Driven by the vision to create unique spaces to meet every specific need and become a part of America's landscape, we at Quiccent would spare no effort to keep innovating.

Our Vision

To create unique spaces to meet every specific need, and become a part of America's landscape.

Our Mission

To keep innovating and provide a wide range of reliable shelters and shades at consumer-grade prices with customer-first service.

Our Service

The customer-centric service is what we at Quiccent take great pride in. In addition to the hassle-free warranty covering all Quiccent products, an industrial-leading support team is standing behind at all times. Whenever you need help or have any suggestions and comments, do not hesitate to reach us via sales@quiccents.com or maxlead.us@gmail.com. You're sure to get a to-the-point reply in 12 hours (business days).

Soil Foundation Preparation

So far preparing a foundation for greenhouses is the most practical way to extend the greenhouse lifespan. Consequently, we at Quicentent highly recommend you do this right from the beginning. In this chapter, we will introduce the details to prepare a soil foundation.

Reminders

1. You should assess if the soil is firm and compact enough to prepare for a foundation.
2. You should prepare the foundation before starting assembling your Quicentent greenhouse.
3. Additional hardware might be required, which isn't provided in your kit.

Step 1 Make sure that the ground where you are tempted to install the greenhouse is flat. You might need a roller, a vibrating plate, or (and) a spirit level.



Step 2 Prepare the foundation according to the greenhouse size (length & width). As for the depth, it should be at least 4 inches under the ground surface.

Foundation Size (L x W x H)

20' x 10' x 6.6 Greenhouse: 20' x 10' x 4"

25' x 10' x 6.6 Greenhouse: 25' x 10' x 4"



Before you move on with the installation, we have some tips which **ONLY** apply to the installation with a prepared soil foundation.

Tip 1: Please make sure the whole frame stands firmly. A tilted or wobbly structure is **NOT** allowed.

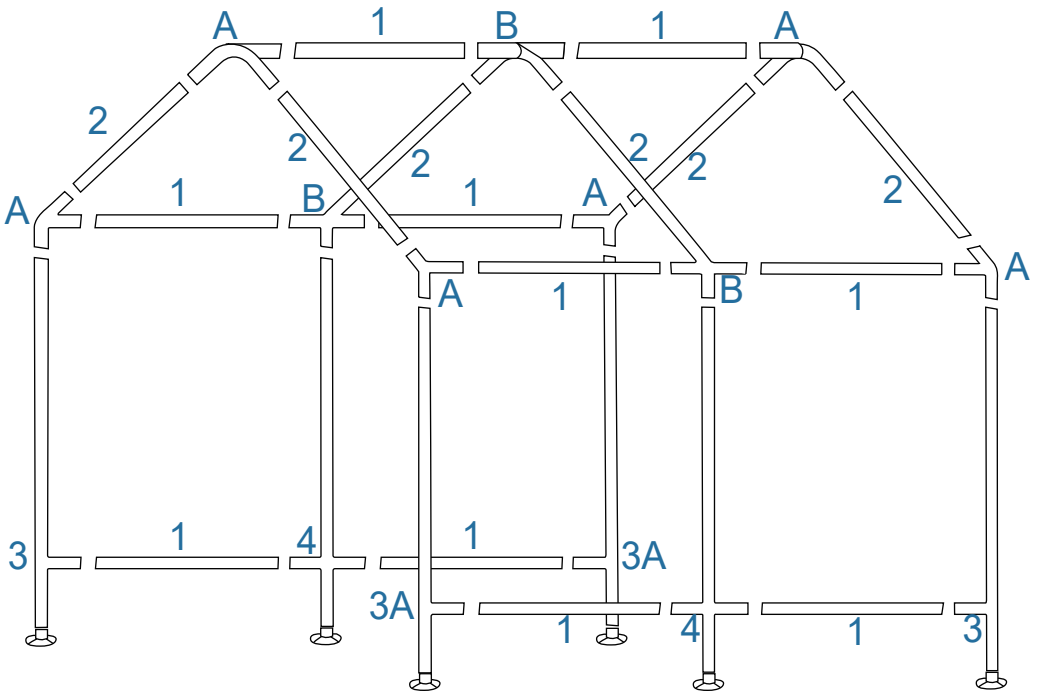
Tip 2: After laying the frame poles into the foundation, please make sure the soil around is firm and compact.

Tip 3: You can bury the extended edge at both sides of the cover into the soil.

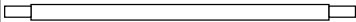
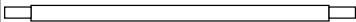
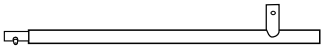
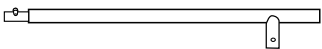
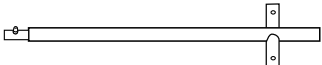

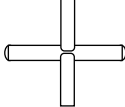
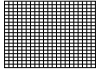
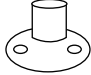




10' x 9' x 8' Greenhouse (Model #1302W)

You'll receive one (1) box for this model. Please pay particular attention to making sure all parts are numbered and graphically indexed as shown on the **Parts List**, so does the quantity for each part. If you need any help, please contact us promptly (sales@quicktents.com or maxlead.us@gmail.com) with the **ORDER NUMBER, REQUIRED PARTS (NAME, QUANTITY, and PART NUMBER), PICTURES (OR VIDEO CLIPS, IF APPLICABLE)**, we'll get back to help out soon.



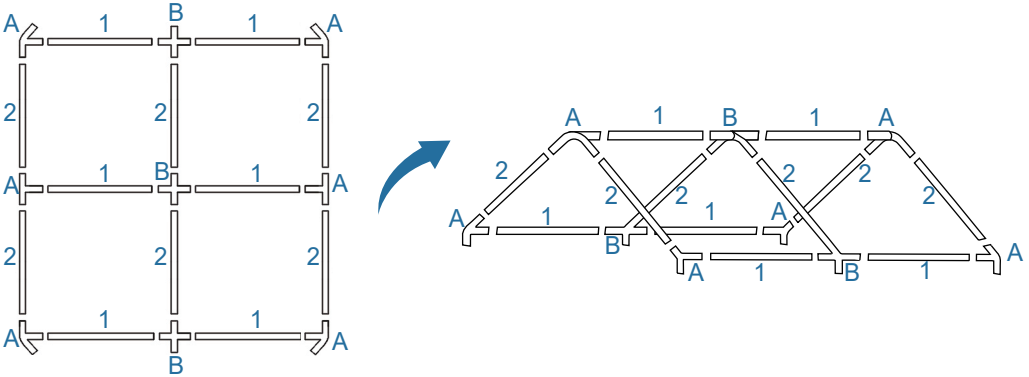
Part List

Part Number	Diagram	Description	Quantity (PCS)
#1		Pole 1	10
#2		Pole 2	6
#3		Pole 3	2
#3A		Pole 3A	2
#4		Pole 4	2
#A		3-Way Corner Connector	6
#B		4-Way Corner Connector	3
#C		White Cover	1
#D		Foot Base	6
#E		Ground Stake	16
#F		Rope	2

Assembly

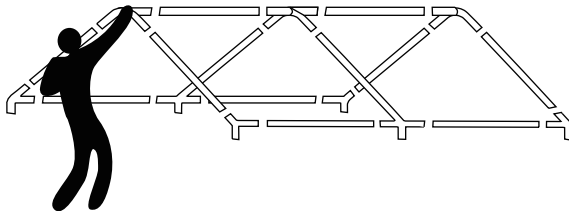
- Before the assembly, please check to make sure that you have all parts listed on the **Parts List**.
- For more details about the assembly, please refer to the **video on the product listing page**. Please contact our support team whenever you need help.

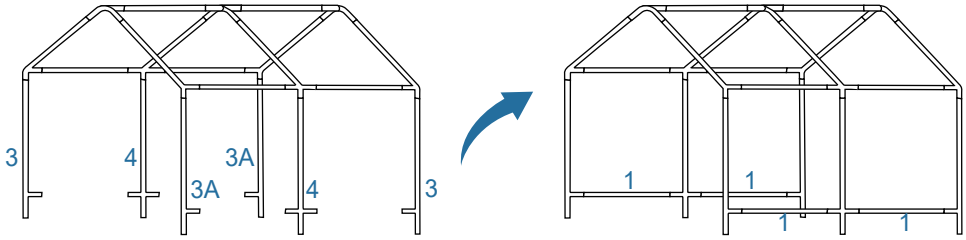
Step 1 Layout and form the top frame with the poles (6 x #1 & 6 x #2) and the connectors (6 x #A & 3 x #B).



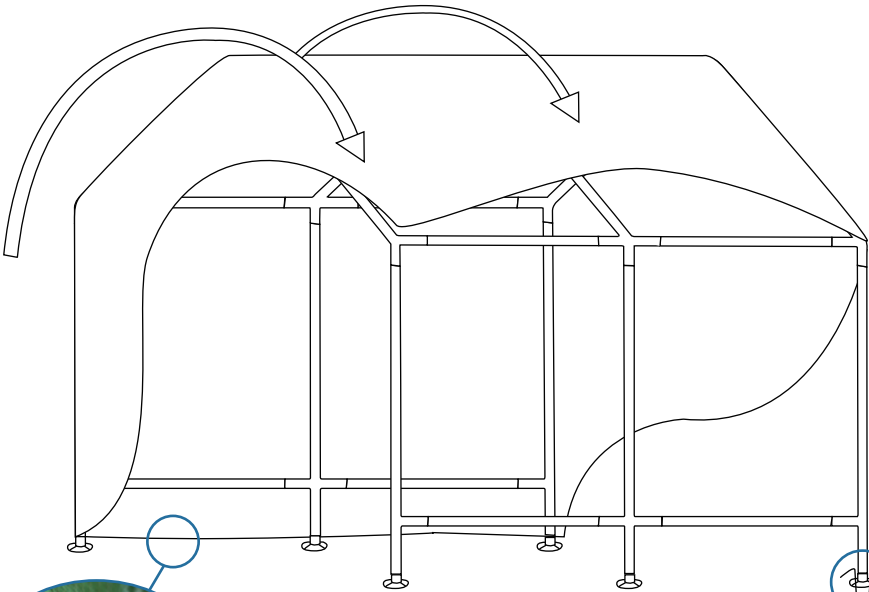
Step 2 Start assembling the mainframe.

- a) On one side, attach the poles (1 x #3, 1 x #3A, and 1 x #4) to the connectors (#A & #B) on the top frame and lift the structure.
- b) On the other side, attach the poles (1 x #3, 1 x #3A, and 1 x #4) to the connectors (#A & #B) on the top frame.
- c) Secure the mainframe by connecting 4 x poles (#1) with the poles (#3, #3A, and #4) at the bottom.





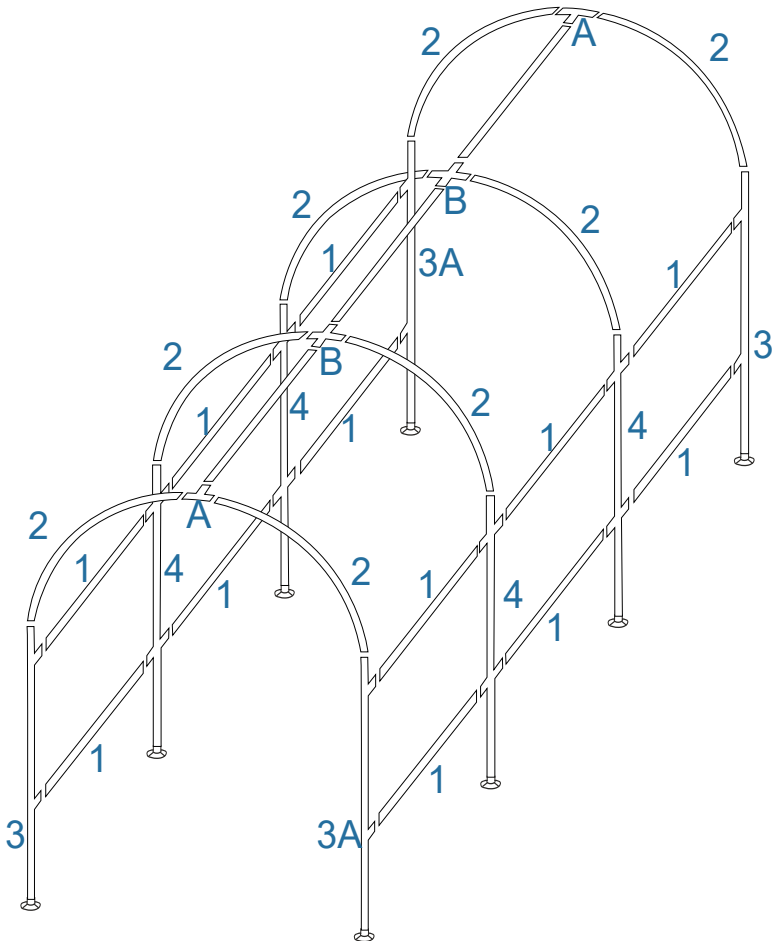
Step 3 Place the Cover (#C) on the top frame with the Velcro straps (attached to the fabric). Please remember to secure your greenhouse with the Foot Bases (#D), Ground Stakes (#E), and Ropes (#F). You can also add some extra weights (for example, bricks, stones, sandbags, and the like) to the extended edge of the cover.



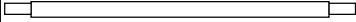

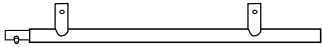
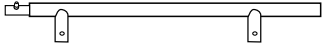
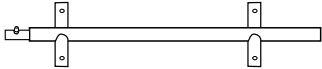

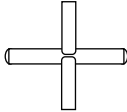
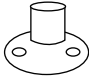

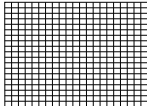
12' x 7' x 7' Greenhouse (Model #1303G & Model #1303W)

The only difference between the two models in 12' x 7' x 7' is the cover: **Model #1303G comes with a green cover** while **Model #1303W has a white cover**.

You'll receive one (1) box for both models. Please pay particular attention to making sure all parts are numbered and graphically indexed as shown on the **Parts List**, so does the quantity for each part. If you need any help, please contact us promptly (sales@quicktents.com or maxlead.us@gmail.com) with the **ORDER NUMBER, REQUIRED PARTS (NAME, QUANTITY, and PART NUMBER), PICTURES (OR VIDEO CLIPS, IF APPLICABLE)**, we'll get back to help out soon.



Part List

Part Number	Diagram	Description	Quantity (PCS)
#1		Pole 1	15
#2		Pole 2	8
#3		Pole 3	2
#3A		Pole 3A	2
#4		Pole 4	4
#A		3-Way Corner Connector	2
#B		4-Way Corner Connector	2
#C		Foot Base	8
#D		Ground Stake	16
#E		A Green Cover for #1303G A White Cover for #1303W	1

Assembly

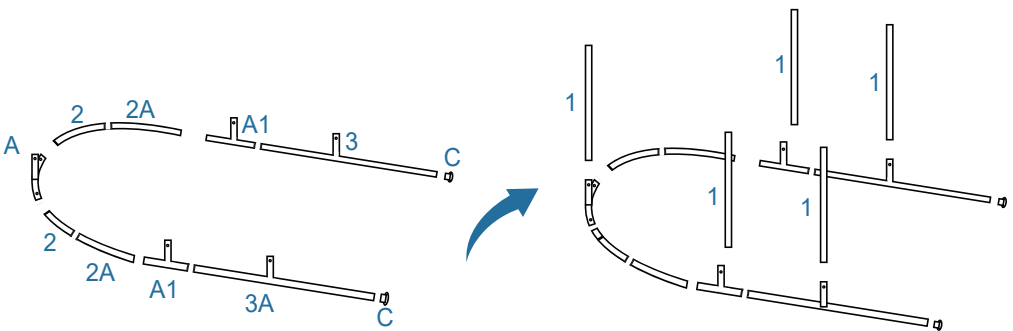
- Before the assembly, please check to make sure that you have all parts listed on the **Parts List**.
- For more details about the assembly, please refer to the **video on the product listing page**. Please contact our support team whenever you need help.

Reminder!

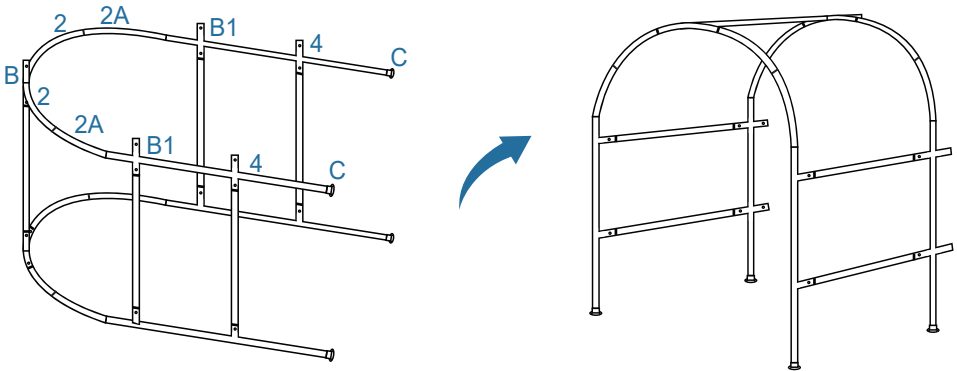
The steps below are for the convenience of one-person work. You can refer to the assembly steps instructed for Model #1302W if you have several partners to work together, that is, to start from the top frame, then assemble the mainframe, and finally put on the cover.

Step 1 Layout and form the door frame with the poles (2 x #2, 1 x #3, and 1 x #3A) and a connector (#A), then connect the poles (5 x #1) with the door frame as shown.

Note: Please remember to connect the 2 x Foot Bases (#C) to the bottom of the poles (#3 & #3A).



Step 2 As shown, add the poles (2 x #2 & 2 x #4) and a connector (#B) to the assembled door frame, then erect the finished structure. Again, please remember to connect the 2 x Foot Bases (#C) to the bottom of the poles (#4).

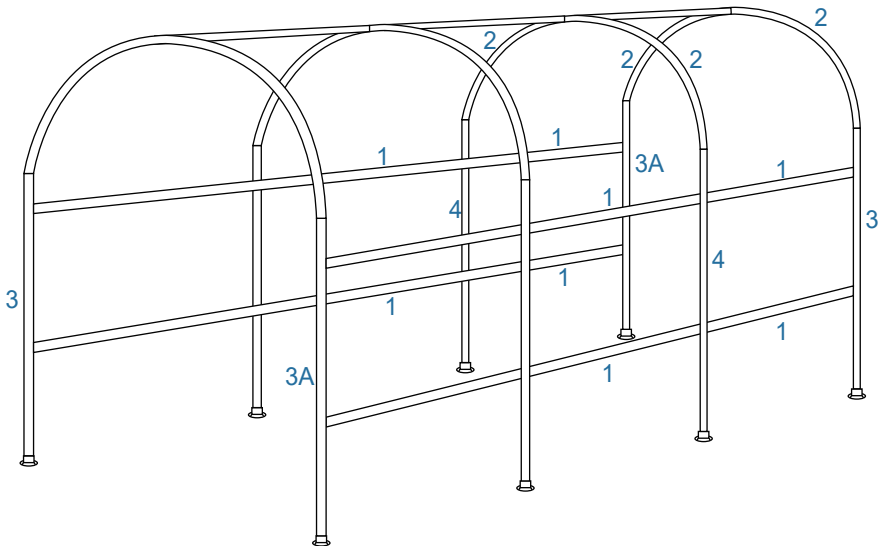


Step 3 Finish assembling the frame by repeating what you've done in Step 2 & Step 1. The parts you'll use are:

Poles: 10 x #1, 4 x # 2, 1 x # 3, 1 x #3A

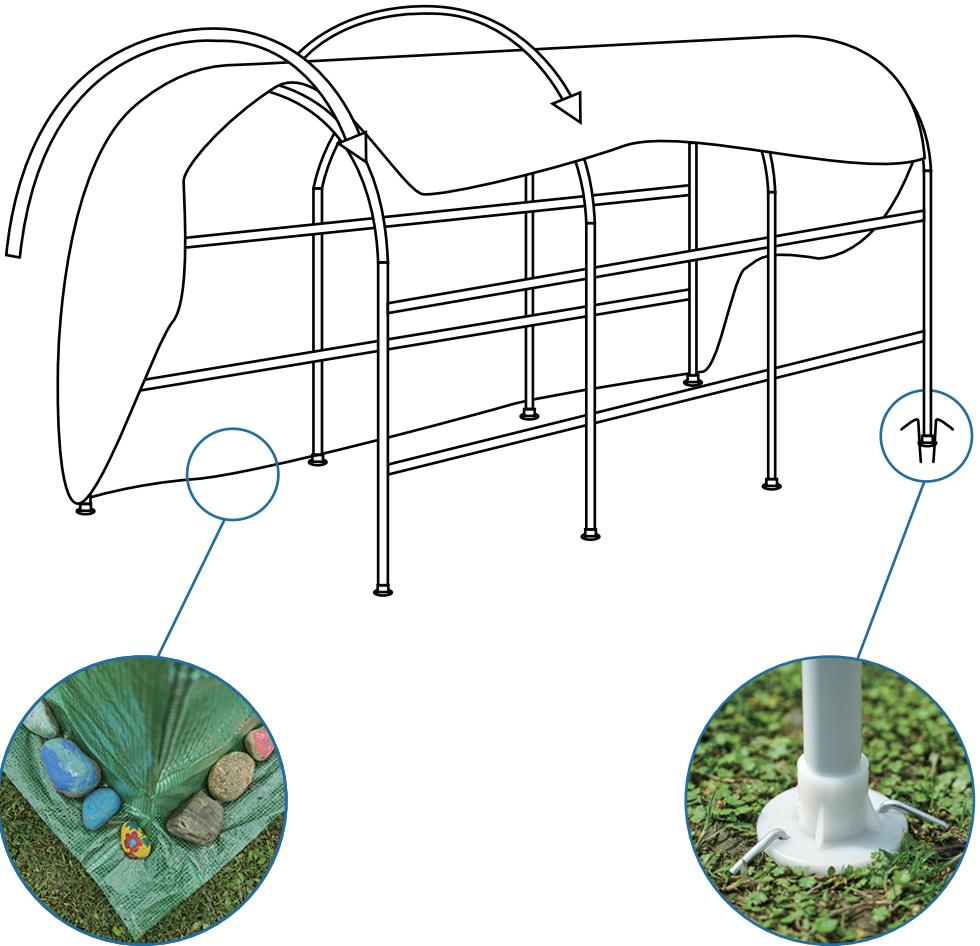
Connectors: 1 x #A, 1 x # B

Foot Bases: 4 x #C



Step 4 Place the Cover (#E) on the top frame with the Velcro straps (attached to the fabric).

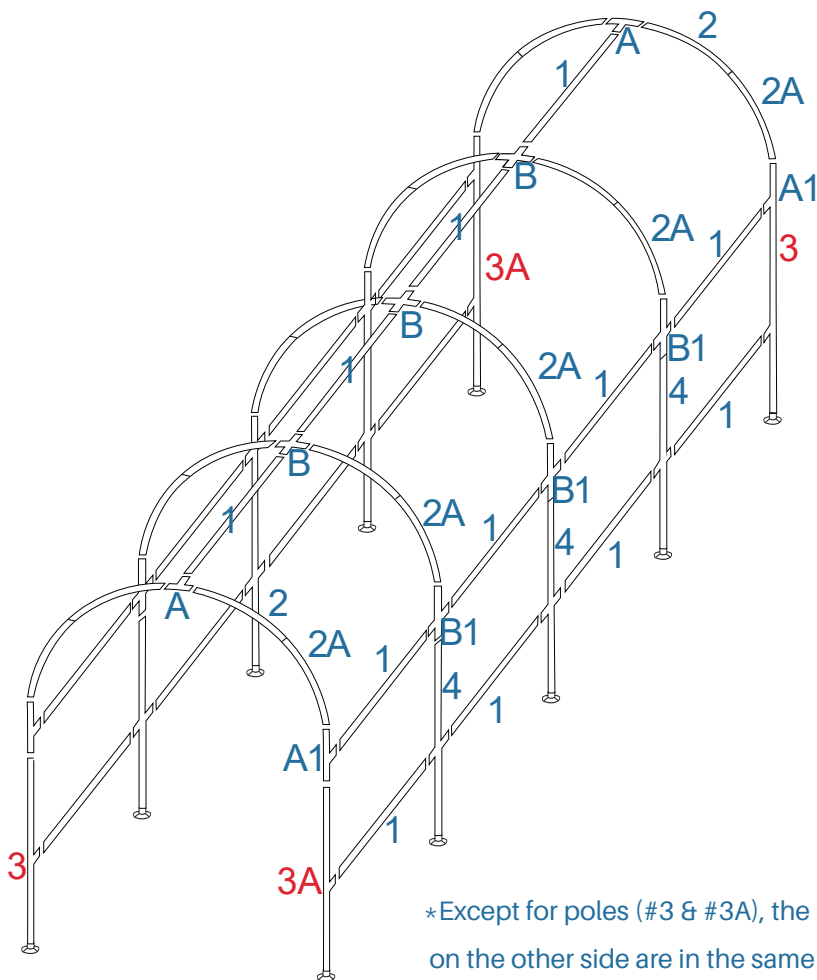
Reminder! Please remember to secure your greenhouse with the Ground Stakes (#D). You can also add some extra weights (for example, bricks, stones, sandbags, and the like) to the extended edge of the cover.



20' x 10' x 6.6' Greenhouse (Model #1306G & Model #1306W)

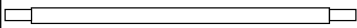



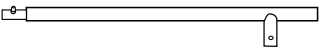
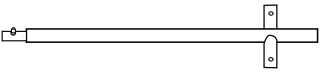
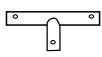
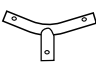
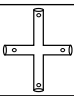
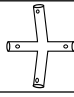
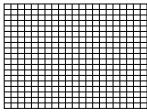
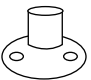

The only difference between the two models in 20' x 10' x 6.6' is the cover: **Model #1306G comes with a green cover** while **Model #1306W has a white cover**.

You'll receive one (1) box for both models. Please pay particular attention to making sure all parts are numbered and graphically indexed as shown on the **Parts List**, so does the quantity for each part. If you need any help, please contact us promptly (sales@quicktents.com or maxlead.us@gmail.com) with the **ORDER NUMBER, REQUIRED PARTS (NAME, QUANTITY, and PART NUMBER), PICTURES (OR VIDEO CLIPS, IF APPLICABLE)**, we'll get back to help out soon.



*Except for poles (#3 & #3A), the poles on the other side are in the same order.

Part List

Part Number	Diagram	Description	Quantity (PCS)
#1		Pole 1	20
#2		Pole 2	10
#2A		Pole 2A	10
#3		Pole 3	2
#3A		Pole 3A	2
#4		Pole 4	6
#A		3-Way Corner Connector	2
#A1		Curved 3-Way Corner Connector	4
#B		4-Way Corner Connector	3
#B1		Curved 4-Way Corner Connector	6
#C		A Green Cover for #1306G A White Cover for #1306W	1
#D		Foot Base	10
#E		Ground Stake	20

Assembly

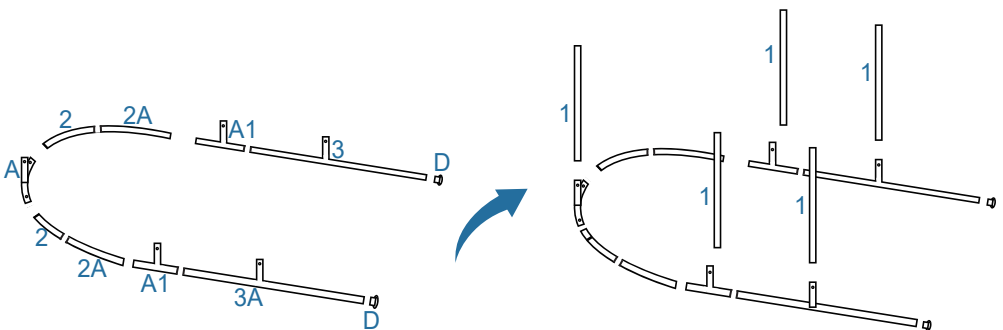
- Before the assembly, please check to make sure that you have all parts listed on the **Parts List**.
- For more details about the assembly, please refer to the **video on the product listing page**. Please contact our support team whenever you need help.

Reminder!

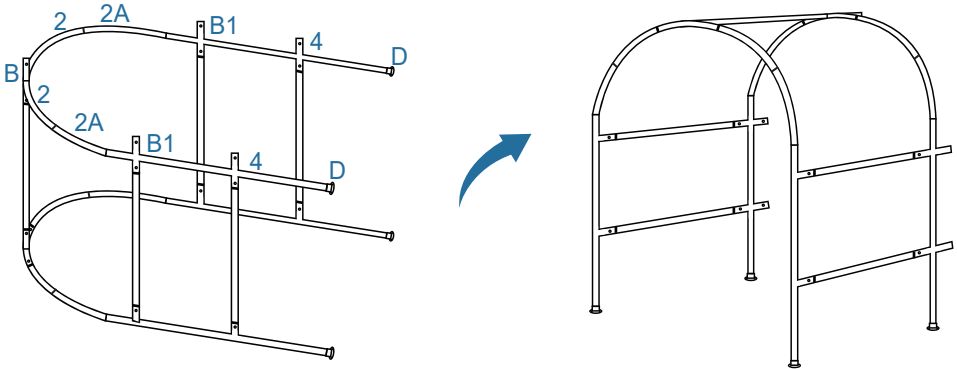
The steps below are for the convenience of one-person work. You can refer to the assembly steps instructed for Model #1302W if you have several partners to work together, that is, to start from the top frame, then assemble the mainframe, and finally put on the cover.

Step 1 Layout and form the door frame with the poles (2 x #2, 2 x #2A, 1 x #3, and 1 x #3A) and the connectors (1 x #A & 2 x #A1), then connect the poles (5 x #1) with the door frame as instructed.

Note: Please remember to connect the 2 x Foot Bases (#D) to the bottom of the poles (#3 & #3A).



Step 2 As shown, add the poles (2 x #2, 2 x #2A, and 2 x #4) and the connectors (1 x #B & 2 x #B1) to the assembled door frame, then erect the finished structure. Again, please remember to connect the 2 x Foot Bases (#D) to the bottom of the poles (#4).

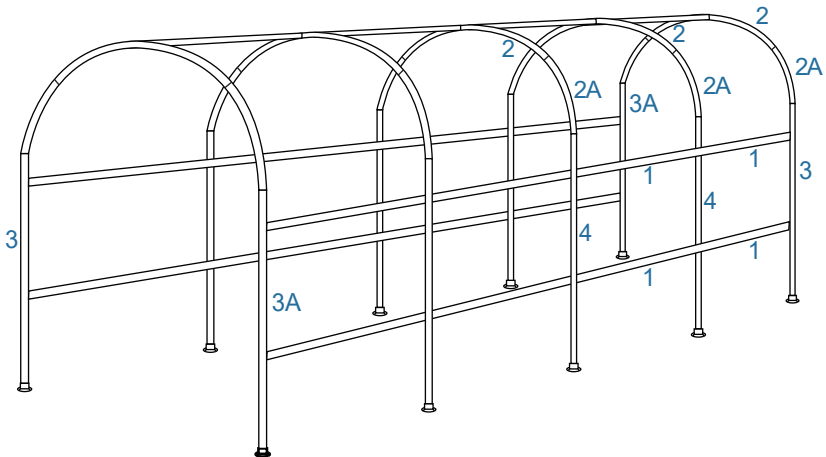


Step 3 Finish assembling the frame by repeating what you've done in Step 2 & Step 1. The parts you'll use are:

Poles: 15 x #1, 6 x #2, 6 x #2A, 1 x #3, 1 x #3A, 4 x #4

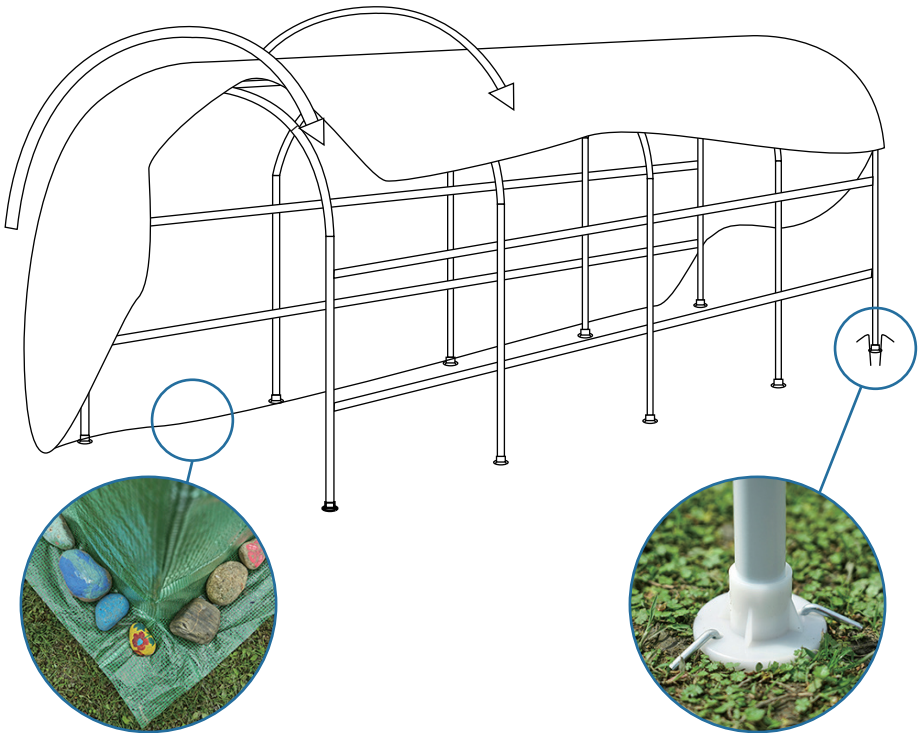
Connectors: 1 x #A, 2 x #A1, 2 x #B, 4 x #B1

Foot Bases: 6 x #D



Step 4 Place the Cover (#C) on the top frame with the Velcro straps (attached to the fabric).

Reminder! Please remember to secure your greenhouse with the **Ground Stakes (#E)**. You can also add some extra weights (for example, bricks, stones, sandbags, and the like) to the extended edge of the cover.



Maintenance

For longer service life and to help you maintain your greenhouse cover in optimal condition, please refer to our suggestions below:

- Please secure the cover at all times by tying all the Velcro or ropes inside and fixing the extended part of the cover with extra weights (soil, bricks, stones, sandbags, etc.)
- When high winds blow, please open all the doors and windows to let the winds pass through.
- Please put down the cover, or move the greenhouse and plants somewhere sheltered before extremely bad weather (hurricanes, tornadoes, etc.)

- Please clean up snow in time if heavy snow occurs in winter, or it may break due to overloading.
- Please understand that the local weather would influence the overall performance. You could apply other equipment like a heater or else if higher or certain temperatures are required.

Warranty

The limited warranty covering the materials and the craftsmanship under normal use and service conditions takes effect from the purchase date (on the invoice). Please note that the order purchase proof (order number or shipping information on the shipping carton) is the only valid evidence to claim for warranty.

- **365-day** warranty for the Pole and Connector
- **180-day** warranty for the Cover
- A **lifetime** warranty for the other parts not mentioned above.

REMINDERS

1. In the event that you failed to access your order information online, we strongly advise you to keep the original packaging and shipping carton(s) because they are treated as a proof of purchase.
2. To get what you need as soon as possible, we strongly suggest you provide all of the following information **at your first inquiry**:
 - Order number
 - Required parts (name, quantity, and part number for each part)
 - Pictures (or video clips, if applicable)

WARNING

- Restructuring the product without written permission from Quicent in advance would **VOID** the warranty.
- Damages due to improper use in severe weather conditions, including but not limited to high winds, heavy rain, sleet, snow, etc., will NOT be covered by the warranty.

Quictent

SHELTERS FOR MOST PEOPLE



QT-FBM-LGH-202201