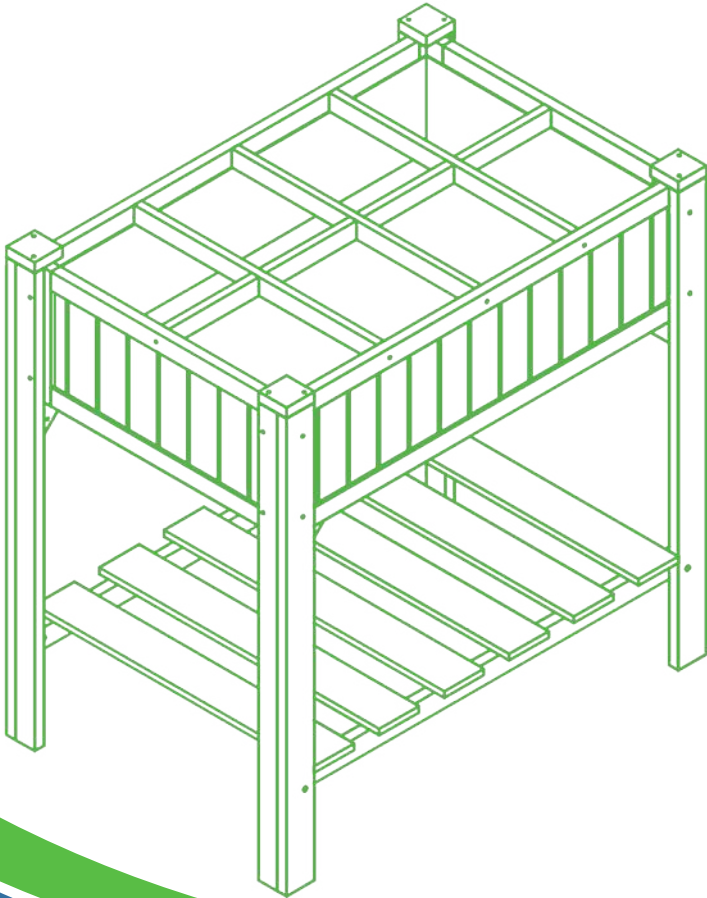


USER MANUAL



Please read, understand, and practice the guidelines in this user manual before use, and keep it for future reference.

35.4" x 23.6" x 35.4"

48" x 48" x 11"

* The Parts List varies by the model. Please check which one you have.

Table of Contents

- About Quictent 6
- 35.4" x 23.6" x 35.4" (Model #WGB-01) 7
- 48" x 48" x 11" (Model #WGB-02) 14
- Warranty 17
- Appendix 18

IMPORTANT

We'd love to hear from our customers. If you have any questions about the manual or would like us to help in any way, please feel free to contact the support team. We will reply in 12 hours (business days).

- Check **the Spam** and your **email Settings** if you do not receive a reply in time as it is probably blocked because our support team will always get back to you no later than the timeframe.
- Add the following email address to your CONTACT LIST in case of any blocking.
- Email: sales@quictents.com, maxlead.us@gmail.com.

Garden Beds from Quiccent

* Only WGB-01 & WGB-02 have instructions in this manual



49" x 37.4" x 36" GB-01



49" x 37.4" x 36" GB-02



72.8" x 37.4" x 36" GB-51



72.8" x 37.4" x 36" GB-51G



35.4" x 23.6" x 35.4" WGB-01



48" x 48" x 11" WGB-02



47" x 35.4" x 12" GB-03S



47" x 35.4" x 22.4" GB-03H



71" x 35.4" x 12" GB-04S



71" x 35.4" x 22.4" GB-04H

This user manual applies to Quicquent wooden raised garden beds. It will help you to get to know your Quicquent wooden raised garden bed. Please read the guidelines in this manual and keep the manual for future reference.

We may update the manual without notice in advance. You can always search **“Quicquent Instructions”** online for the latest version.

About Quicquent

Founded in the early 21st century, Quicquent has grown into a popular brand with reliable products and excellent customer service during the past decades. We started with pop up canopies, and then expanded to other more categories of shelters and the like including raised garden beds, party tents, carports, greenhouses, grow tents, shade sails, patio umbrellas and RV covers. Driven by the vision to create unique spaces to meet every specific need and become a part of America's landscape, we at Quicquent to spare no effort to keep innovating.

Our Vision

To create unique spaces to meet every specific need, and become a part of America's landscape.

Our Mission

To keep innovating and provide a wide range of reliable shelters and shades at consumer-grade prices with customer-first service.

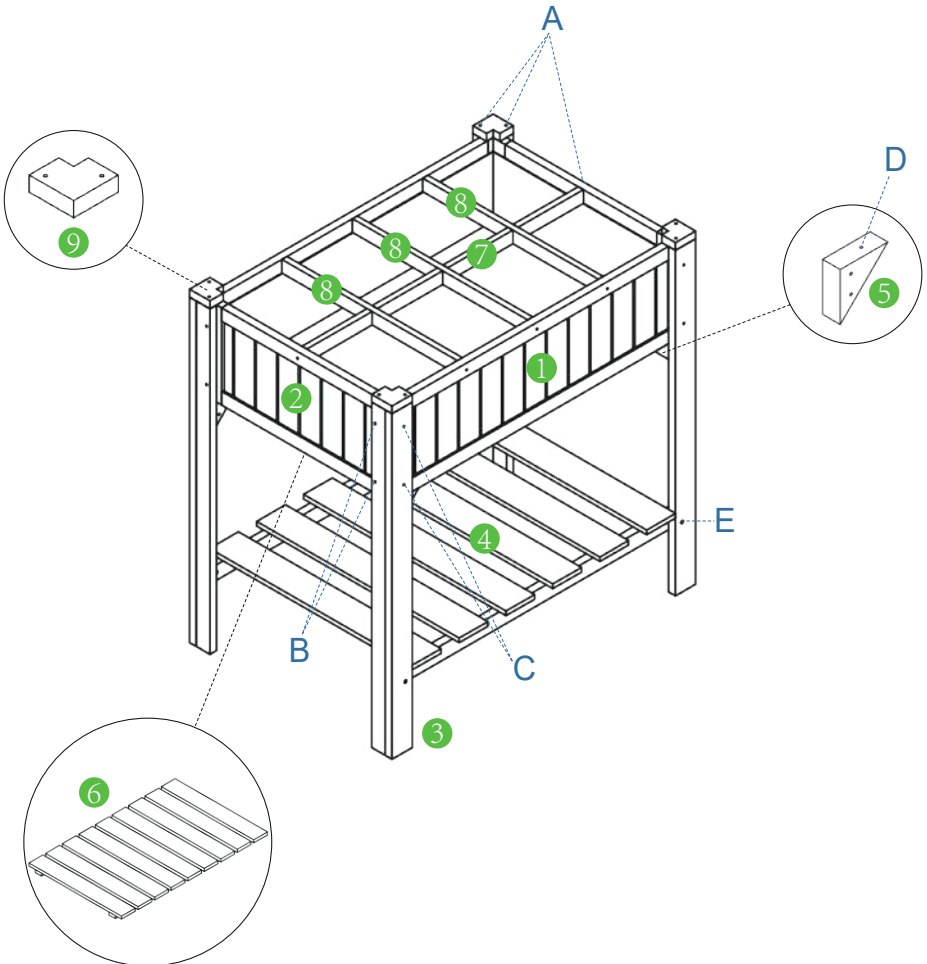
Our Service

The customer-centric service is what we at Quicquent take great pride in. In addition to the hassle-free warranty covering all Quicquent products, an industrial-leading support team is standing behind at all times. Whenever you need help or have any suggestions and comments, do not hesitate to reach out to us at

sales@quicquents.com or maxlead.us@gmail.com. You're sure to get a to-the-point reply in 12 hours.

35.4" x 23.6" x 35.4" (Model # WGB-01)

You'll receive one (1) box for this model. Please pay particular attention to making sure all parts are numbered and graphically indexed as shown on the **Parts List (Table 1)**, so does the quantity for each part. If you need any help, please email the support team at sales@quicktents.com or maxlead.us@gmail.com with the **order number, required parts (name, quantity, and part number for each), and photos** (or videos, if applicable), we will get back and help out soon.

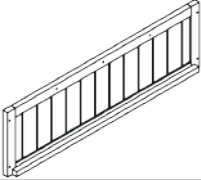
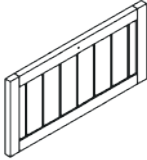
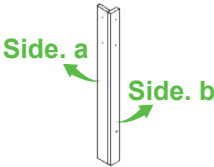
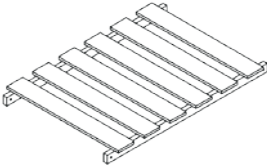
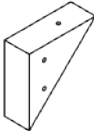


Parts List

Reminders!

- The T-Type Plant Tags (#13) and the Planting Shovel (#14) are used to make your future planting easy, you'll not use them during the assembly.
- There are Part #A, Part #B, Part #C, Part #D, and Part #E in the Screw Bag (#10), please refer to the **Table 2 Details for Screw Bag** below.

Table 1. Parts List

Part Number	Diagram	Description	Quantity
#1		Long Wooden Board	2
#2		Short Wooden Board	2
#3		Leg Post	4
#4		Wooden Shelf	1
#5		Supporting Block	4

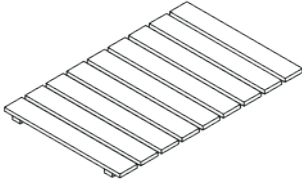
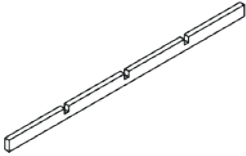
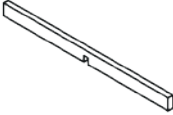





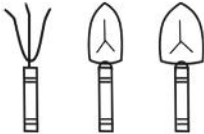
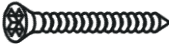
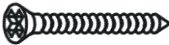
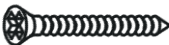
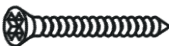

Part Number	Diagram	Description	Quantity
#6		Bottom Wooden Board	1
#7		Long Dividing Bar	1
#8		Short Dividing Bar	3
#9		Leg Cap	4
#10		Screw Bag (Learn More from the Table 2 Below)	1
#11		Non-Woven Cloth	2
#12		Glove	2 (1 Pair)
#13		T-Type Plant Tag	50
#14		Planting Shovel	1 (Set)

Table 2. Details for Screw Bag (#10)

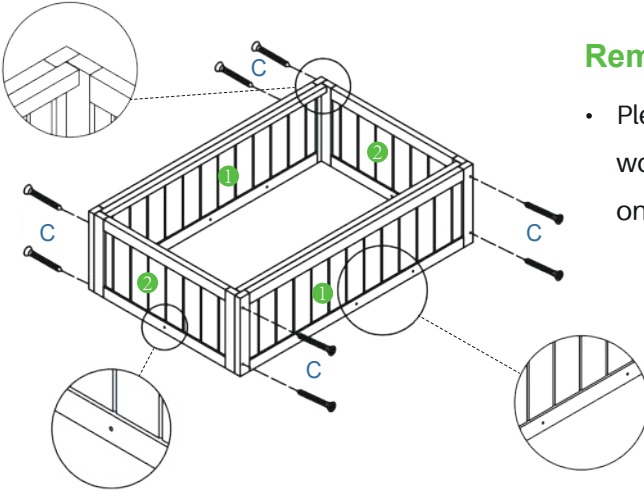
Part Number	Diagram	Description	Quantity
#A		3 x 35 mm Screw	16
#B		3.5 x 35 mm Screw	8
#C		3.5 x 40 mm Screw	16
#D		3.5 x 45 mm Screw	12
#E		M6 x 60 mm Bolt	4

Assembly

Reminders!

- Before the assembly, please check to make sure that you have all the parts listed in the **Parts List**.
- We highly recommend you use an **electric drill** (not provided) when installing the screws.
- Before installing the screws, please make sure the parts are fully aligned.
- Please always wear gloves (**#7**) during the assembly.

Step 1 Layout and assemble the garden bed with 2 x part #1 (Long Wooden Board), 2 x part #2 (Short Wooden Board), and 8 x part #C (3.5 x 40 mm Screw).



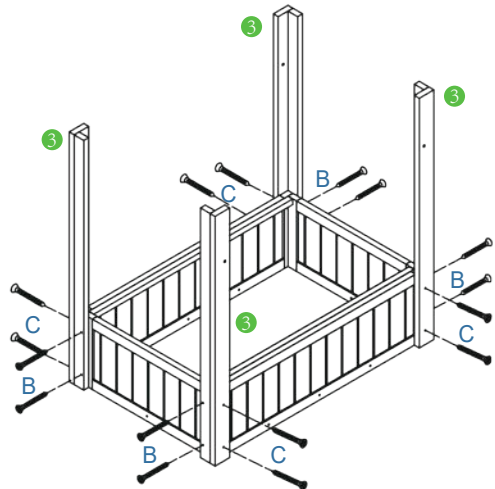
Reminders!

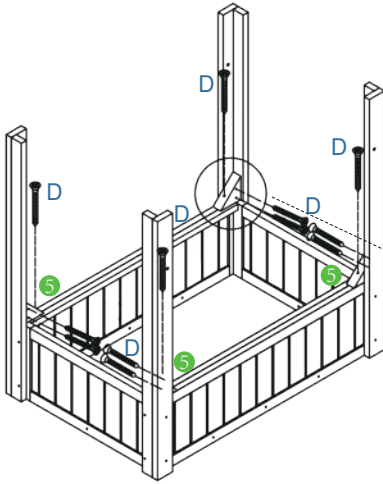
- Please lay down the side of the wooden board with screw holes on the ground.

Step 2 Attach the 4 x part #3 (Leg Post) to the boards with 8 x part #B (3.5 x 35 mm Screw) and 8 x part #C (3.5 x 40 mm Screw).

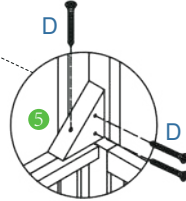
VERY IMPORTANT!

- The **Side. a** of all the Leg Posts (#3) is **larger** than the **Side. b**.
- You should ALWAYS **align the Side. a with the Long Wooden Boards (#1)** and fix them together with the **part #C (3.5 x 40 mm Screw)**.
- You should ALWAYS **align the Side. b with the Short Wooden Boards (#2)** and fix them together with the **part #B (3.5 x 35 mm Screw)**.

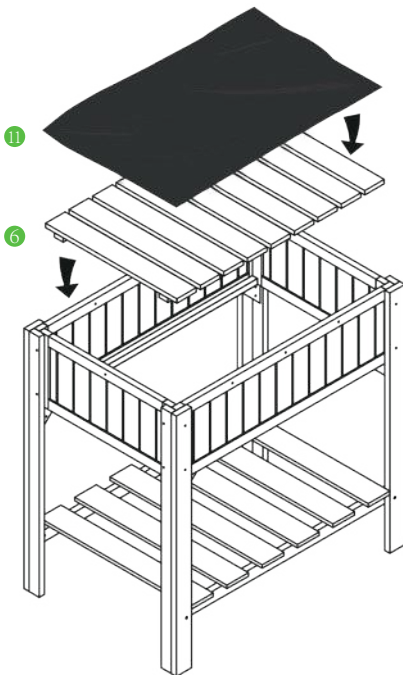
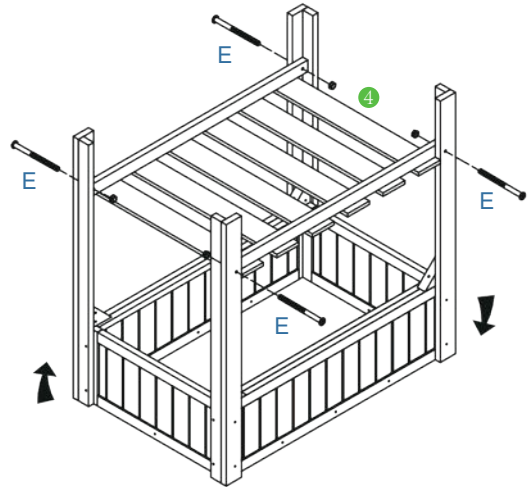




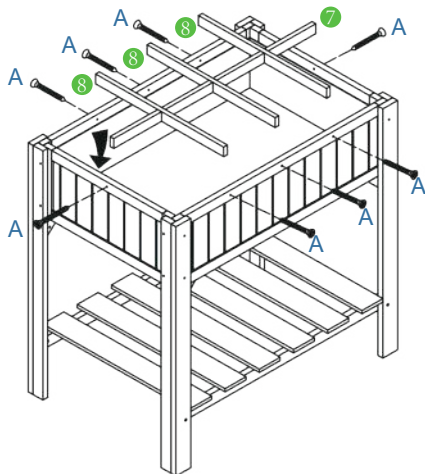
Step 3 Reinforce the structure with 4 x part #5 (Supporting Block). You'll use 12 x part #D (3.5 x 45 mm Screw).



Step 4 Assemble the part #4 (Wooden Shelf) by using 4 x part #E (M6 x 60 mm Bolt).

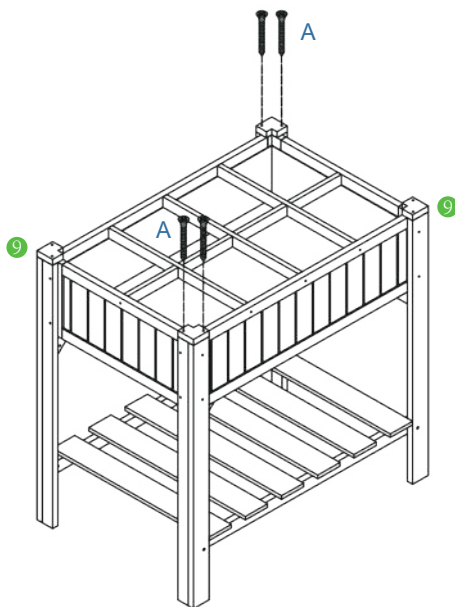


Step 5 Turn over the assembled frame, then attach the part #6 (Bottom Wooden Board) and place the part #11 (Non-Woven Cloth) inside the garden bed.



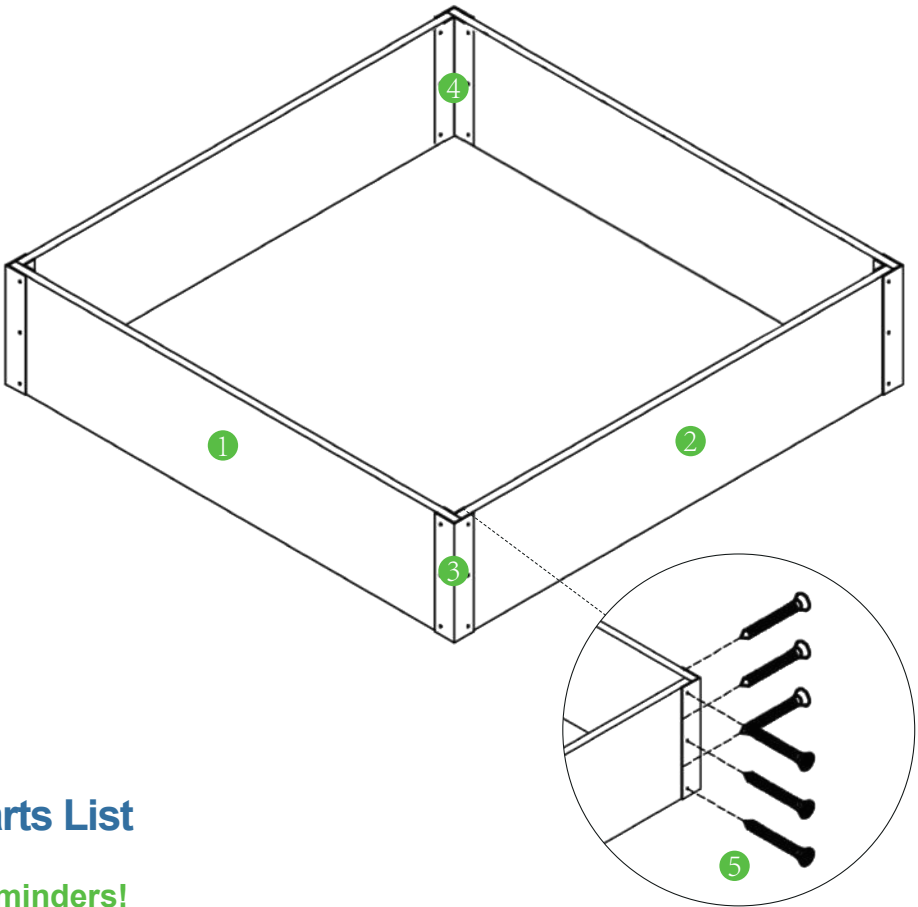
Step 6 *(Optional step!)* Create the grids with the 1 x part #7 (Long Dividing Bar) and the 3 x part #8 (Short Dividing Bar). You'll use 8 x part #A (3 x 35 mm Screw) to fix all the parts.

Step 7 To better protect the leg posts and secure the garden bed, please add the 4 x part #9 (Leg Cap) to the top of leg posts. You'll use 8 x part #A (3 x 35 mm Screw) in this step.



48" x 48" x 11" (Model #WGB-02)

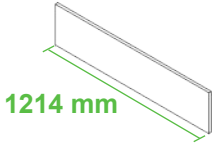
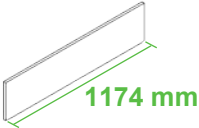
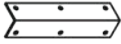

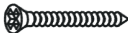
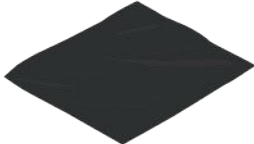


You'll receive one (1) box for this model. Please pay particular attention to making sure all parts are numbered and graphically indexed as shown on the **Parts List**, so does the quantity for each part. If you need any help, please email the support team at sales@quictents.com or maxlead.us@gmail.com with the **order number**, **required parts (name, quantity, and part number for each)**, and **photos** (or videos, if applicable), we will get back and help out soon.



Parts List

Reminders!

- The T-Type Plant Tags (**#8**) are gifts so that you can label your plants and give them correct care accordingly. You'll not use them during the assembly.

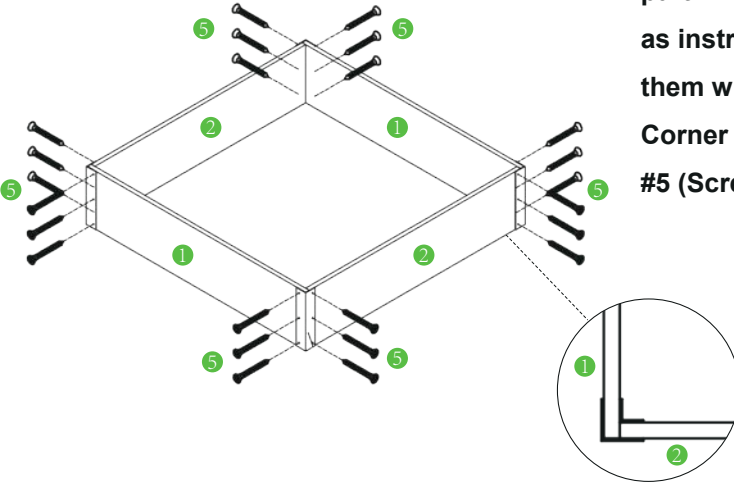
Part Number	Diagram	Description	Quantity
#1		Outer Wooden Board	2
#2		Inner Wooden Board	2
#3		Exterior Corner Bracket	4
#4		Interior Corner Bracket	4
#5		Screw (3.5 x 20 mm)	48
#6		Weed Barrier	1
#7		Glove	2 (1 Pair)
#8		T-Type Plant Tag	50

Assembly

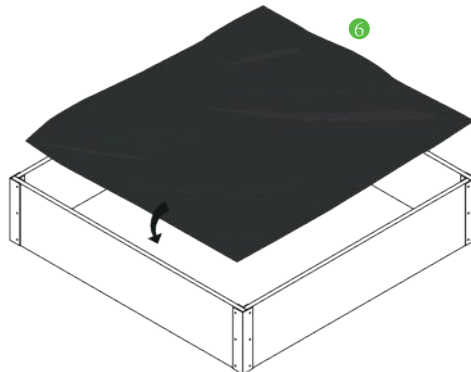
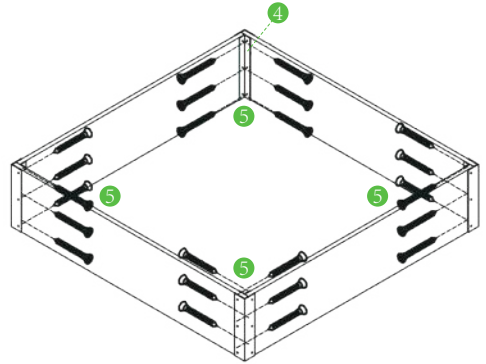
Reminders!

- Before the assembly, please check to make sure that you have all the parts listed in the **Parts List**.
- We highly recommend you use an **electric drill** (not provided) when installing the screws.
- Please make sure the parts are fully aligned when installing the screws.
- Please always wear gloves (**#7**) during the assembly.

Step 1 Layout the 2 x part #1 (Outer Wooden Board) and the 2 x part #2 (Inner Wooden Board) as instructed, then connect them with 4 x part #3 (Exterior Corner Bracket) and 24 x part #5 (Screw).



Step 2 Reinforce the bed with the 4 x part #4 (Interior Corner Bracket) and 24 x part #5 (Screw), then put the Weed Barrier (#6) inside the garden bed.



Warranty

The **12-month** limited warranty covering the materials and the craftsmanship under normal use and service conditions takes effect from the purchase date (on the invoice). Please note that the order purchase proof (order number or shipping information on the shipping carton) is the only valid evidence to claim for warranty.

REMINDERS

1. In the event that you failed to access your order information online, we strongly advise you to keep the original packaging and shipping carton(s) because they are treated as a proof of purchase.
2. To get what you need as soon as possible, we strongly suggest you provide all of the following information **at your first inquiry**:
 - Order number
 - Required parts (name, quantity, and part number for each)
 - Pictures (or video clips, if applicable)

WARNING

- Restructuring the product without written permission from Quiccent in advance would **VOID** the warranty.
- Damages due to improper use in severe weather conditions, including but not limited to high winds, heavy rain, sleet, snow, etc., will NOT be covered by the warranty.

About Quiccent

- **Shelter for Backyard, Party, Event**

Pop up Canopy



Quiccent pop up canopies serve perfectly for your outdoor events, both personally and commercially. They always provide shades for outdoor activities such as parties, picnics, outings, etc, turning everywhere into a perfect place to relax. When it comes to selling at outdoor events, they are easy to handle in all aspects - unfolding (and folding), transporting, and storing. Rich in styles, sizes, and colors, you can always find one that goes well with your needs.

Party Tent



Preparing for parties and events? We've got your back. Diverse in sizes from a small one in 10' x 8' to a regular one in 10' x 20' or 10' x 30' and to a large one in 20' x 40', you can always find a perfect solution matching your demands. What's more, they span a wide range of styles.

Metal Gazebo



Owning a Quicent metal gazebo is just like having another beautiful room in your backyard! The powder-coated steel frame is heavy-duty and can stand firmly outdoors for a long time. The mosquito netting adds privacy and protects you from bugs. The tan ones go with the surroundings well while the red ones are eye-catching.



Patio Umbrella

Quicent patio umbrellas turn anywhere in the open air into a perfect site to "take a breath". They are a must-have for small businesses such as an outdoor café! For homeowners, they make your backyard the best place to relax, especially when you're looking for an escape from the heavy work or energy-taking daily travails.

Shade Sail

Why Quicent provides so many choices for shade sails in colors and shapes? For aesthetics. Your patio would be pleasing to the eye if you mix shades in different colors and shapes, or overlap one a little while mounting others several feet higher or lower.



• Shelter for Vehicle

Carport



The Quicrent carports share something in common: They are heavy-duty, easy-to-assemble, and of the most importance, supported by an industrial-leading after-sales service. You can choose from the ones with or without sidewalls depending on your needs.



Motorcycle Shelter

Recommended by so many riders, Quicrent motorcycle shelters are proved to be the ultimate solution to protect your motorcycle from the elements. Buy one to see how the well-made cover and the heavy-duty structure realize the great protection.

Garage Shed

A Quicrent outdoor storage shed is not only a budget-friendly solution to keep your belongings safe, but also helps organize your life - gone is the backyard/basement clutter.



Truck Tent



Light in weight and excellent in performance, QuicTent truck bed tents are always a safer and more comfortable choice for road trips with a pickup truck. They can protect you from the elements when traveling and keep warm & keep you away from the crawling insects when sleeping. More importantly, whenever you want to stop to rest, the big awning would get you sheltered. Take one home and get your pickup ready for a trip!

RV Cover



The QuicTent RV covers are a great investment for trailers of all kinds. Besides the great protection provided by the 6-layered tear-, water-, and UV-resistant cover, extra reinforced wind straps are the bonus coming with each order.

• Shelter for Plant

Greenhouse



As a necessity for all gardeners, Quicent greenhouses provide an ideal environment to ensure efficient growth and longer growing seasons. Available in mini, medium, and large walk-in ones.



Grow Tent

We highly recommend Quicent grow tents for anyone wanting to grow indoors. Passed the SGS certification, they'll help create an optimal growing environment. You're sure to be surprised by lots of built-in features like more reflective cover materials, the big observation window, convenient hooks, a waterproof tray floor, etc. Take one home to be the master of the temperatures, lights, humidity, and the like for your plants!

Garden Bed

A Quicent raised garden bed is highly recommended for gardening beginners since it makes you the controller of the size, location, and even soil conditions. An elevated one is the ultimate solution for gardeners with back pain or knee issues.





Quictent
SHELTERS FOR MOST PEOPLE



QT-FBM-WGB-202101