

User Manual

for QuicTent Carport with Sidewalls

Model #1117 •



• Model #1115

Model #YS 1102 •
Model #TJB 1102
Model #TL 1102



Please read, understand, and practice the guidelines in this user manual before use, and keep it for future reference.

10' x 20' 13' x 20'

The **Parts List** varies by the model. Please refer to the correct list for the product you have.

Table of Contents

• About Quic Tent	2
• Safety Instructions	3
• 10' x 20' Carport (Model #YS/TJB/TL1102)	5
• 10' X 20' Carport (Model #1115)	10
• 13' x 20' Carport (Model #1117)	15
• Maintenance	20
• Warranty	20
• Appendix	21

IMPORTANT

We'd love to hear from our customers. If you have any questions about the manual or would like us to help in any way, please feel free to contact the support team. We will reply in 12 hours (business days).

- Check **the Spam** and your **email Settings** if you do not receive a reply in time as it is probably blocked because our support team will always get back to you no later than the timeframe.
- Add the following email address to your CONTACT LIST in case of any blocking.
- **Email:** sales@quictents.com, maxlead.us@gmail.com.

This user manual applies to Quiccent carports (with sidewalls). It will help you to get to know your carport. Please read the guidelines in this manual and keep the manual for future reference.

We may update the manual without notice in advance. You can always search "**Quiccent Instructions**" online for the latest version.

About Quiccent

Founded in the early 21st century, Quiccent has grown into a popular brand with reliable products and excellent customer service during the past decades. We started with pop up canopies, and then expanded to other more categories of shelters and the like including party tents, carports, greenhouses, garden beds, grow tents, shade sails, patio umbrellas and RV covers. Driven by the vision to create unique spaces to meet every specific need and become a part of America's landscape, we at Quiccent would spare no effort to keep innovating.

Our Vision

To create unique spaces to meet every specific need, and become a part of America's landscape.

Our Mission

To keep innovating and provide a wide range of reliable shelters and shades at consumer-grade prices with customer-first service.

Our Service

The customer-centric service is what we at Quictent take great pride in. In addition to the hassle-free warranty covering all Quictent products, an industrial-leading support team is standing behind at all times. Whenever you need help or have any suggestions and comments, do not hesitate to reach us via sales@quictents.com or maxlead.us@gmail.com. You're sure to get a to-the-point reply in 12 hours.

Safety Instructions

You should read, understand, and practice safety instructions in this chapter. For any damages due to not obeying guidelines as instructed, the owner (user) should take full responsibility.



Please ALWAYS weigh down your storage shelter with sandbags, auger anchors, and (or) pegs.



Please do NOT place something heavy on the top as the shelter is designed to be a temporary structure.



Please do NOT light a fire inside and keep any heat source away from your storage shelter.

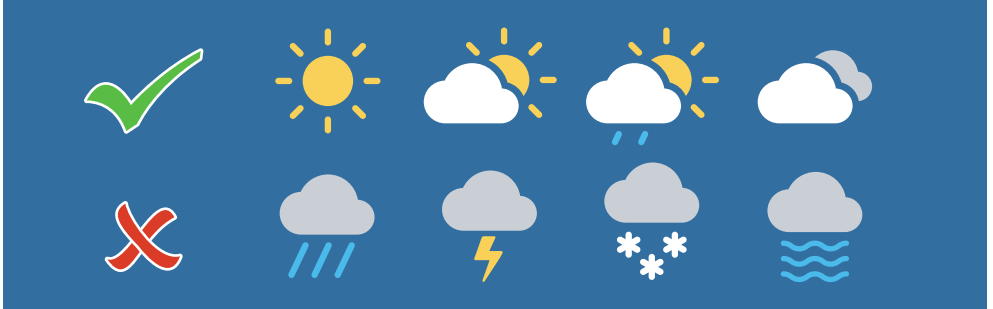


Do NOT throw away the original packaging cartons in case of a return or an exchange.

- Please ALWAYS weigh down your carport with sandbags, auger anchors, and (or) pegs.
- Please do NOT place something heavy on the top as the carport is designed to be a temporary structure.
- Please do NOT light a fire inside and keep any heat source away from your storage shelter.
- Please do NOT throw away the original packaging cartons in case of a return or an exchange.

Warning

Do NOT use this product in severe weather such as high wind, heavy rain, heavy snows, etc. Please take down the structure for any potential inclement weather. Damages caused by improper use will NOT be covered by the warranty.



10' x 20' Carport (Model #YS/TJB/TL1102)

Parts List for Model #YS/TJB/TL1102

You'll receive **two (2) boxes** for both models. Please identify the packages by referring to the table **Package Contents for Shipping Cartons**. Please also pay particular attention to making sure all parts are numbered and graphically indexed as shown on the **Parts List**, so does the quantity for each part. If you need any help, please contact us promptly (sales@quicktents.com or maxlead.us@gmail.com) with the **ORDER NUMBER, REQUIRED PARTS (NAME, QUANTITY, and PART NUMBER), PICTURES (OR VIDEO CLIPS, IF APPLICABLE)**, we'll get back to help out soon.

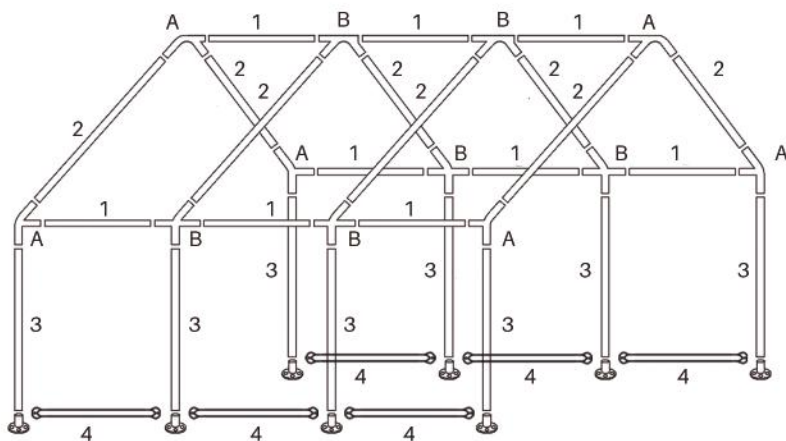


Table A. Parts List for Model #YS/TJB/TL1102

Part Number	Diagram	Description	Quantity (PCS)
#1		Steel Pole	9
#2		Steel Pole	8
#3		Steel Pole	8
#4		Ground Bar	6
#A		3-Way Corner Connector	6
#B		4-Way Corner Connector	6
#C		Foot Base	8




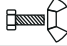



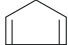
Part Number	Diagram	Description	Quantity (PCS)
#D		Rope	8
#E		Bungee Cord	120
#F		L-Shaped Peg	8
#G		Screw (M6 x 50 mm)	8
#H		Auger Anchor	8
#I		Roof Cover	1
#J		Sidewall	2
#K		Zipper Door	2

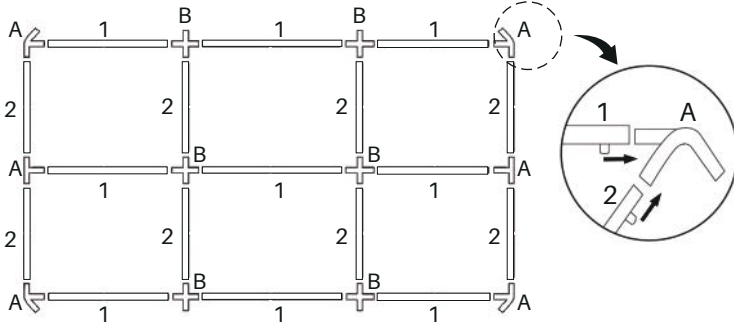
Table B. Package Contents for Shipping Cartons

Carton Number	Parts Included
Box #1	9 x Part #1 (Steel Pole) 8 x Part #3 (Steel Pole) 6 x Part #4 (Steel Pole)
Box #2	8 x Part #2 (Steel Pole) 6 x Part #A (3-Way Corner Connector) 6 x Part #B (4-Way Corner Connector) 8 x Part #C (Foot Base) 8 x Part #D (Rope) 120 x Part #E (Bungee Cord) 8 x Part #F (L-Shaped Peg) 8 x Part #G (M6 x 50 mm Screw) 8 x Part #H (Auger Anchor) 1 x Part #I (Roof Cover) 2 x Part #J (Sidewall) 2 x Part #K (Zipper Door)

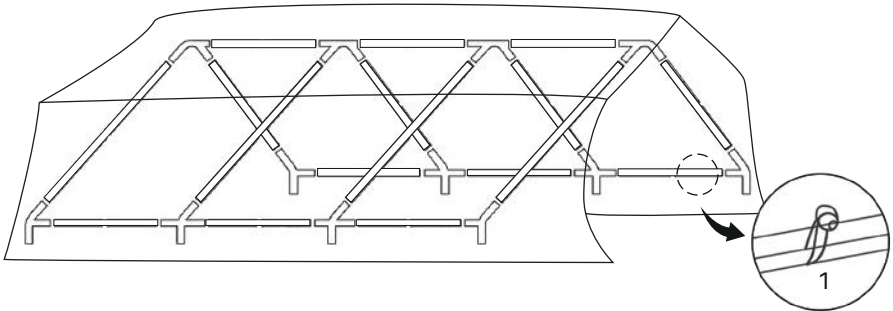
Assembly Steps for Model #YS/TJB/TL 1102

Before the assembly, please check to make sure that you have all parts listed in the **Parts Lists**.

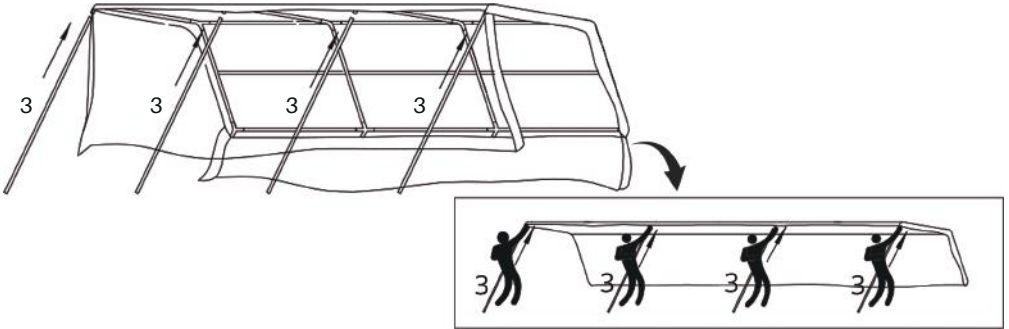
Step 1 Layout and form the top frame with poles (9 x #1 & 8 x #2) and connectors (6 x #A & 6 x #B).



Step 2 Put the Roof Cover (#I) on the assembled top frame and fix them together with the Bungee Cords (#E).



Step 3 Attach 4 x poles (#3) to the connectors (#A & #B) on one side, then lift the structure from the other side (several adults required!).

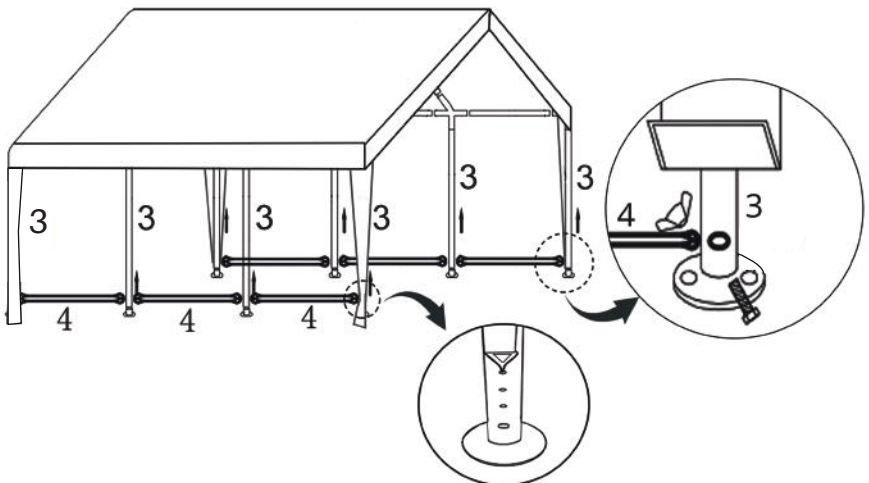


Step 4 Finish assembling the mainframe.

- Add the rest 4 x poles (#3) to the connectors (#A & #B) on the other side.
- Layout the 6 x Ground Bars (#4) as shown.
- Fix the ground bars (#4) with the poles (#3). Attach a Foot Base (#C) to the bottom of each pole (#3), align the ends of the Ground Bars (#4) with their joints, and fix each joint with a Screw (#G). You'll use 8 x Screws (#G) for the 8 joints.

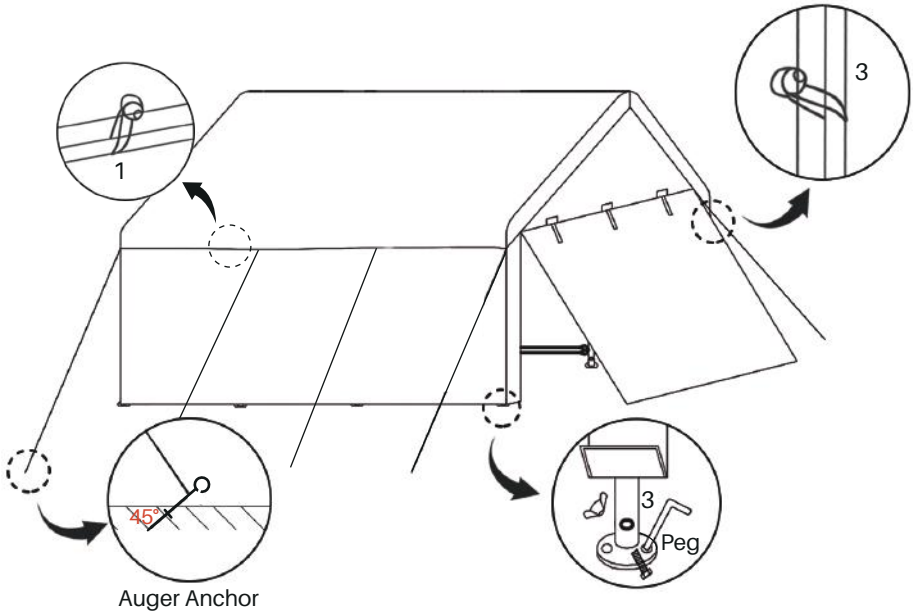
Reminder

Please remember to place the hook of the leg covers (attached to the roof cover) into a proper adjusting hole on the poles (#3).



Step 5 Assemble the fabric and secure the whole structure.

- a) Attach the 2 x Sidewalls (#J) and the 2 x Zipper Doors (#K) to the frame with Bungee Cords (#E).
- b) Insert the 8 x L-Shaped Pegs (#F) into the holes of the Foot Bases (#C). One Peg for each foot base.
- c) Fix the structure with the 4 x Ropes (#D) and the 4 x Auger Anchors (#H). To secure the tent better, it is recommended that you insert the anchors diagonally into the ground. As shown, a 45-degree to the ground is the best position.



10' x 20' Carport (Model #1115)

Parts List for Model #1115

You'll receive **two (2) boxes** for both models. Please identify the packages by referring to the table **Package Contents for Shipping Cartons**. Please also pay particular attention to making sure all parts are numbered and graphically indexed as shown on the **Parts List**, so does the quantity for each part. If you need any help, please contact us promptly (sales@quictents.com or maxlead.us@gmail.com) with the **ORDER NUMBER, REQUIRED PARTS (NAME, QUANTITY, and PART NUMBER), PICTURES (OR VIDEO CLIPS, IF APPLICABLE)**, we'll get back to help out soon.

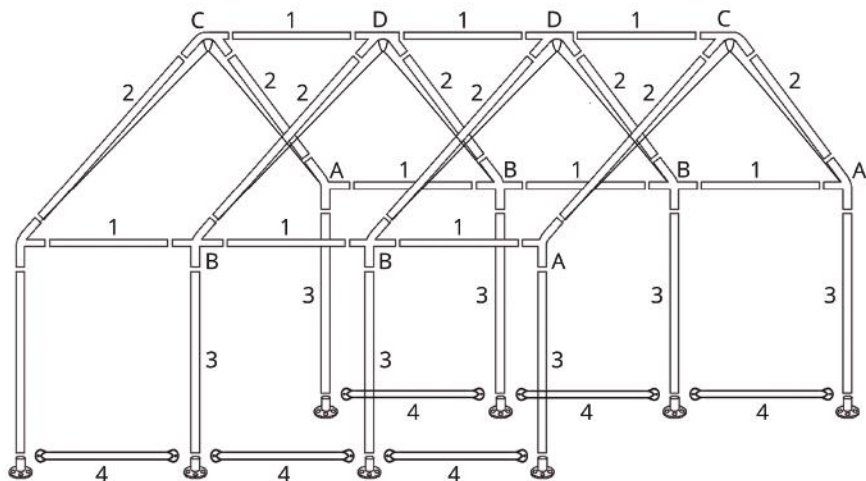


Table A. Parts List for Model #1115

Part Number	Diagram	Description	Quantity (PCS)
#1		Steel Pole	9
#2		Steel Pole	8
#3		Steel Pole	8
#4		Ground Bar	6
#A		3-Way Corner Connector	4
#B		4-Way Corner Connector	4
#C		3-Way Corner Connector	2
#D		4-Way Corner Connector	2



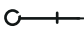


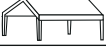




Part Number	Diagram	Description	Quantity (PCS)
#E		Foot Base	8
#F		L-Shaped Peg	8
#G		Auger Anchor	8
#H		Screw (M6 x 50 mm)	8
#I		Rope	8
#J		Roof Cover	1
#K		Sidewall	2
#L		Zipper Door	2
#M		Bungee Cord	120
#N		Steel Cable	4

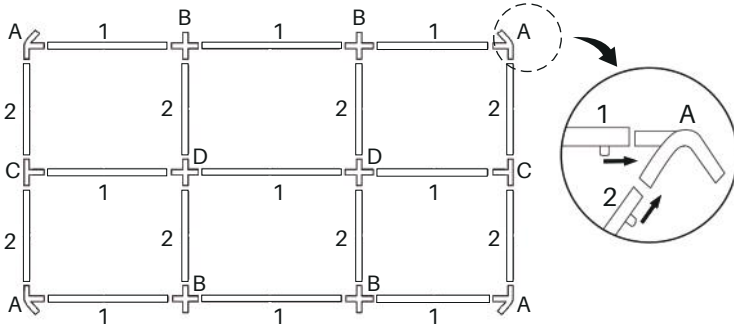
Table B. Package Contents for Shipping Cartons

Carton Number	Parts Included
Box #1	9 x Part #1 (Steel Pole) 8 x Part #3 (Steel Pole) 6 x Part #4 (Steel Pole)
Box #2	8 x Part #2 (Steel Pole) 4 x Part #A (3-Way Corner Connector) 4 x Part #B (4-Way Corner Connector) 2 x Part #C (3-Way Corner Connector) 2 x Part #D (4-Way Corner Connector) 8 x Part #E (Foot Base) 8 x Part #F (L-Shaped Peg) 8 x Part #G (Auger Anchor) 8 x Part #H (M6 x 50 mm Screw) 8 x Part #I (Rope) 1 x Part #J (Roof Cover) 2 x Part #K (Sidewall) 2 x Part #L (Zipper Door) 120 x Part #M (Bungee Cord) 4 x Part #N (Steel Cable)

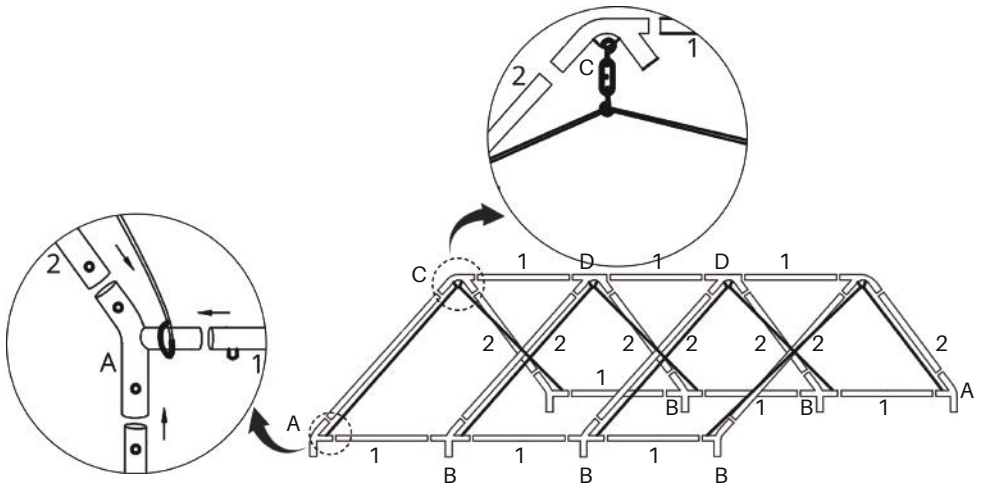
Assembly Steps for Model #1115

Before the assembly, please check to make sure that you have all the parts listed in the **Parts Lists**.

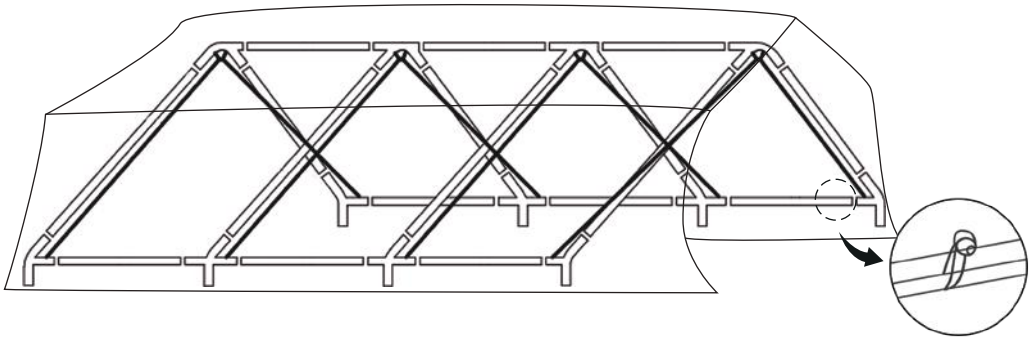
Step 1 Layout and form the top frame with the poles (9 x #1 & 8 x #2) and the conectors (4 x #A, 4 x #B, 2 x #C, and 2 x #D).



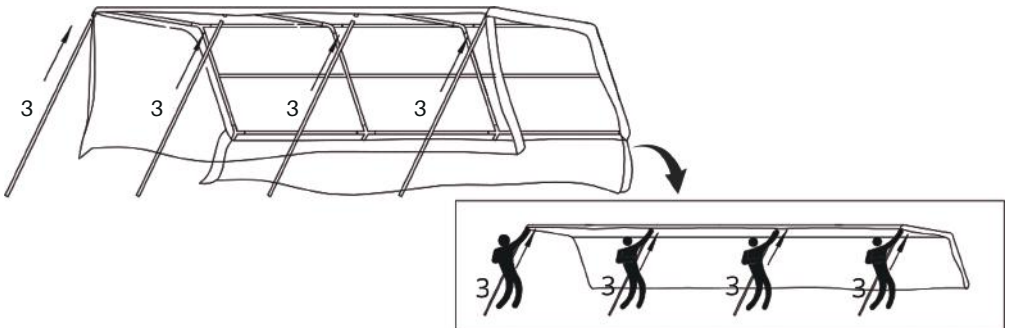
Step 2 Reinforce the top frame with the 4 x Steel Cables (#N). As shown, please align and fix the cables with the joints of the poles and connectors on the top frame.



Step 3 Put the Roof Cover (#J) on the assembled top frame with the help of Bungee Cords (#M).

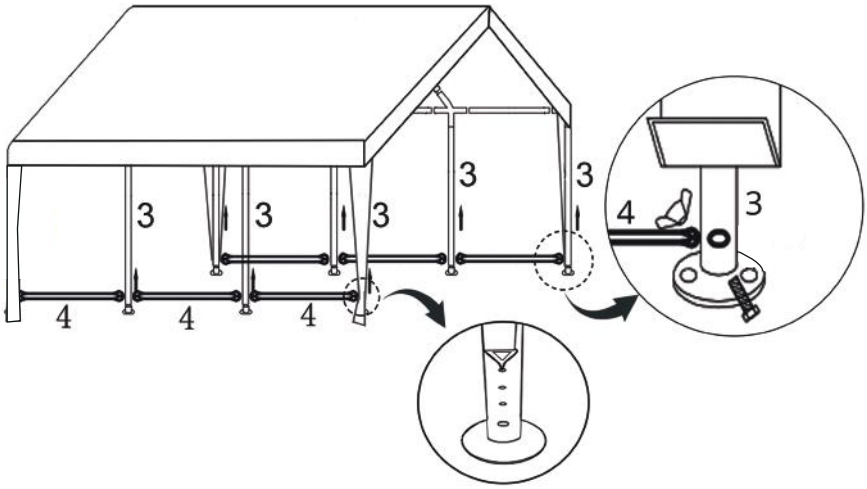


Step 4 Add 4 x poles (#3) to the connectors (#A & #B) on one side and lift the structure from the other side.



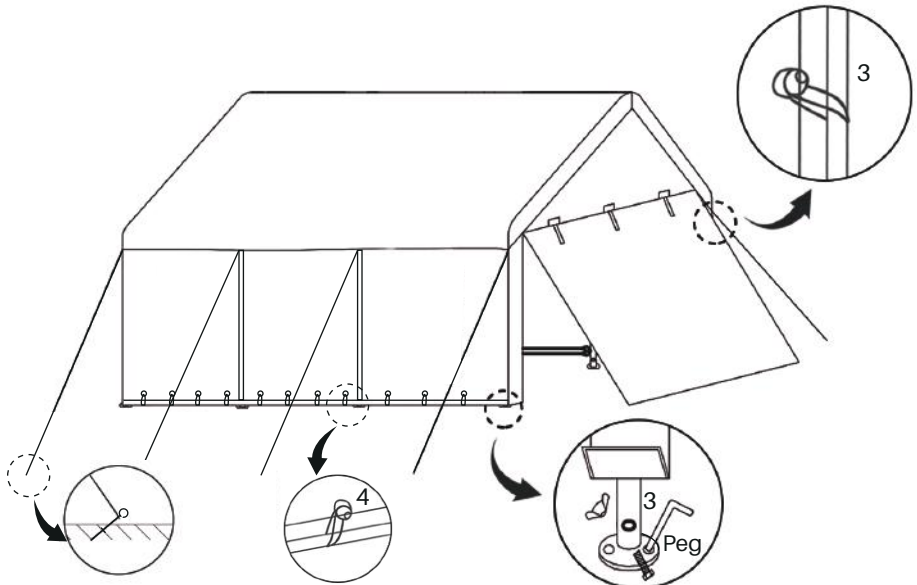
Step 5 Finish assembling the mainframe.

- Add the rest 4 x poles (#4) to the connectors (#A & #B) on the other side.
- Place the hooks of the leg covers (attached to the roof cover) into a proper adjusting hole on the poles (#3).
- Layout the 6 x Ground Bars (#4) on the bottom as shown.
- Connect the Ground Bars (#4) with the poles (#3). Attach a Foot Base (#E) to the bottom of each pole (#3), align the ends of the Bars (#4) with their jointed holes, and finally fix them together by inserting and tightening a Screw (#H, M6 x 50 mm) into each jointed hole. You'll use the 8 x Screws (#H) for the 8 joints.



Step 6 Attach the fabric and secure the whole structure.

- a) Attach the 2 x Sidewalls (#K) to the top frame with the Bungee Cords (#M) and fix it to the mainframe by wrapping up the built-in Velcros with the poles (#3).
- b) Attach the 2 x Zipper Doors (#L) to the mainframe by connecting their edges with the poles (#2 & #3) as shown.
- c) Bundle the Ground Bars (#4) to the bottom of the sidewall with the Bungee Cords (#M).
- d) Fix the structure to the ground by inserting the L-Shaped Pegs (#F) into the holes of the Foot Bases (#E). One peg for each foot base.
- e) Re-fix the structure with the 8 x Ropes (#I) and the 8 x Auger Anchors (#G).



Auger Anchor

13' x 20' Carport (Model #1117)

Parts List for Model #1117

You'll receive **three (3) boxes** for this model. You can identify the packages by referring to the table **Package Contents for Shipping Cartons** below. Please also pay particular attention to making sure all parts are numbered and graphically indexed as shown on the Parts List, so does the quantity for each part. If you need any help, please contact us promptly (sales@quictents.com or maxlead.us@gmail.com) with the **ORDER NUMBER, REQUIRED PARTS (NAME, QUANTITY, and PART NUMBER), PICTURES (OR VIDEO CLIPS, IF APPLICABLE)**, we'll get back to help out soon.

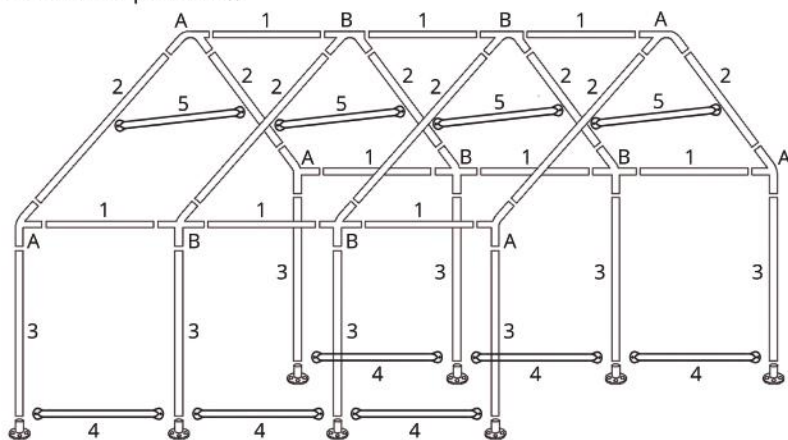


Table A. Parts List for Model #1117

Part Number	Diagram	Description	Quantity (PCS)
#1		Steel Pole	9
#2		Steel Pole	8
#3		Steel Pole	8
#4		Ground Bar	6
#5		Support Beam	4
#A		3-Way Corner Connector	6
#B		4-Way Corner Connector	6
#C		Foot Base	8









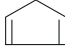


Part Number	Diagram	Description	Quantity (PCS)
#D		Holder	8
#E		L-Shaped Peg	8
#F		Auger Anchor	8
#G		Screw (M6 x 45 mm)	8
#H		Screw (M6 x 50 mm)	8
#I		Rope	8
#J		Roof Cover	1
#K		Sidewall	2
#L		Zipper Door	2
#M		Bungee Cord	128
#N		Small Wrench	2

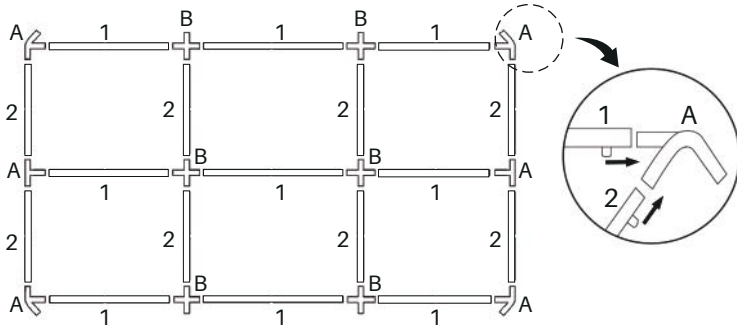
Table B. Package Contents for Shipping Cartons

Carton Number	Parts Included
Box #1	9 x Part #1 (Steel Pole) 8 x Part #2 (Steel Pole) 6 x Part #4 (Ground Bar)
Box #2	8 x Part #3 (Steel Pole) 4 x Part #5 (Corner Support Beam) 1 x Part #J (Roof Cover)
Box #3	6 x Part #A (3-Way Corner Connector) 6 x Part #B (4-Way Corner Connector) 8 x Part #C (Foot Base) 8 x Part #D (Holder) 8 x Part #E (L-Shaped Peg) 8 x Part #F (Auger Anchor) 8 x Part #G (M6 x 45 mm Screw) 8 x Part #H (M6 x 50 mm Screw) 8 x Part #I (Rope) 2 x Part #K (Sidewall) 2 x Part #L (Zipper Door) 128 x Part #M (Bungee Cord) 2 x Part #N (Small Wrench)

Assembly Steps

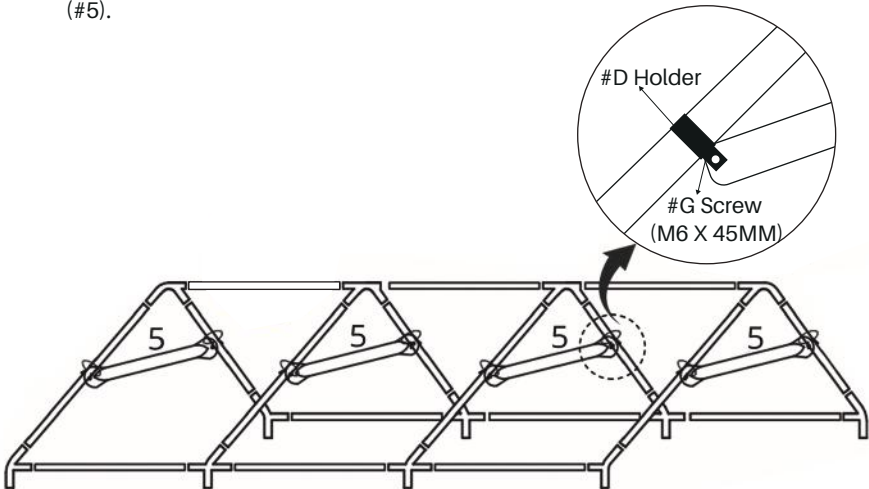
Before the assembly, please check to make sure that you have all parts listed in the **Parts Lists**.

Step 1 Layout and form the top frame with the poles (9 x #1 & 8 x #2) and the connectors (6 x #A & 6 x #B).

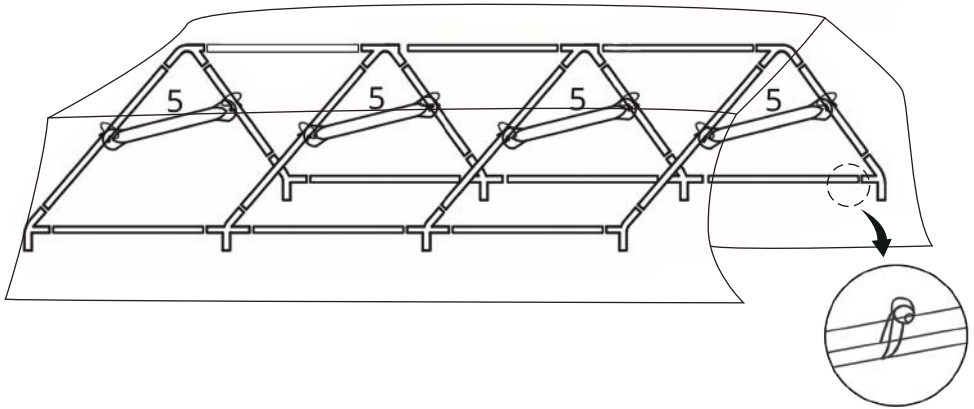


Step 2 Reinforce the top frame with the 4 x Support Beams (#5).

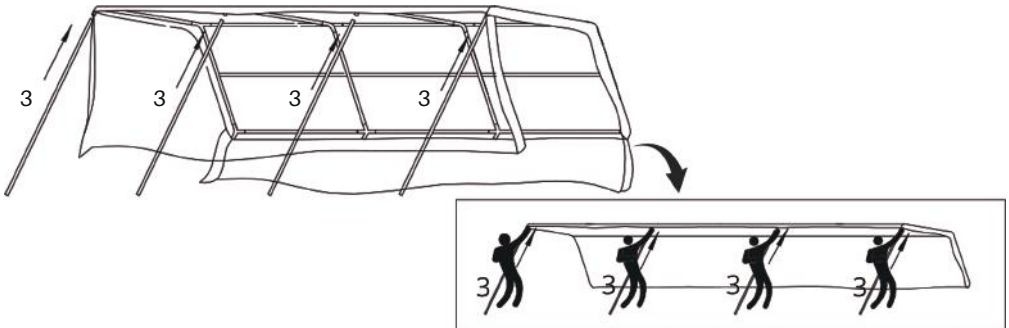
- Place the Holder (#D) on the poles (#2) as shown.
- Align the hole on the end of the Support Beams (#5) with the holes of the Holder (#D).
- Insert the Screw (#G, M6 x 45 mm) into the jointed hole, and tighten it.
- Repeat what you've done for the other 7 joints of the poles (#2) and the support beams (#5).



Step 3 Put the Roof Cover (#J) on the assembled top frame with the help of some Bungee Cords (#M).

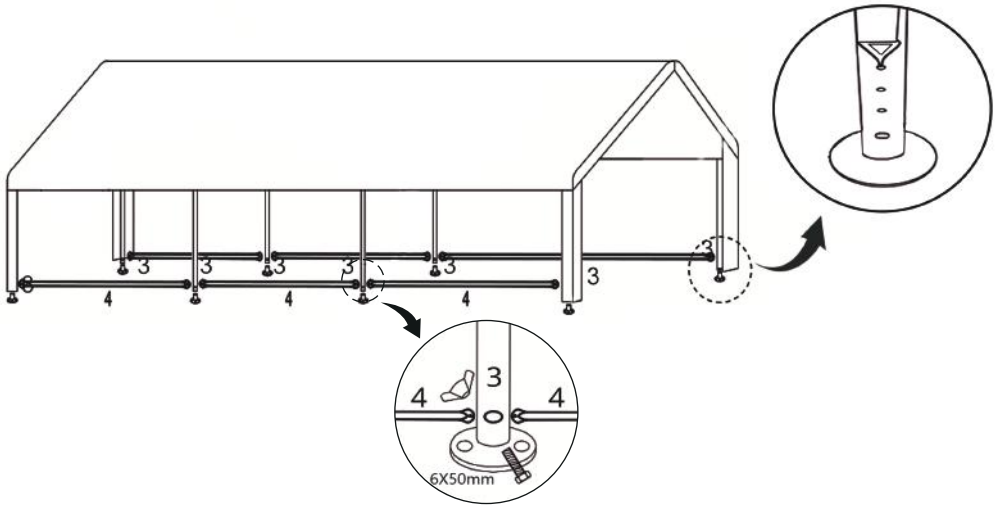


Step 4 Attach the 4 x poles (#3) to the connectors (#A & #B) on one side, then lift the structure from the other side (several adults required!).



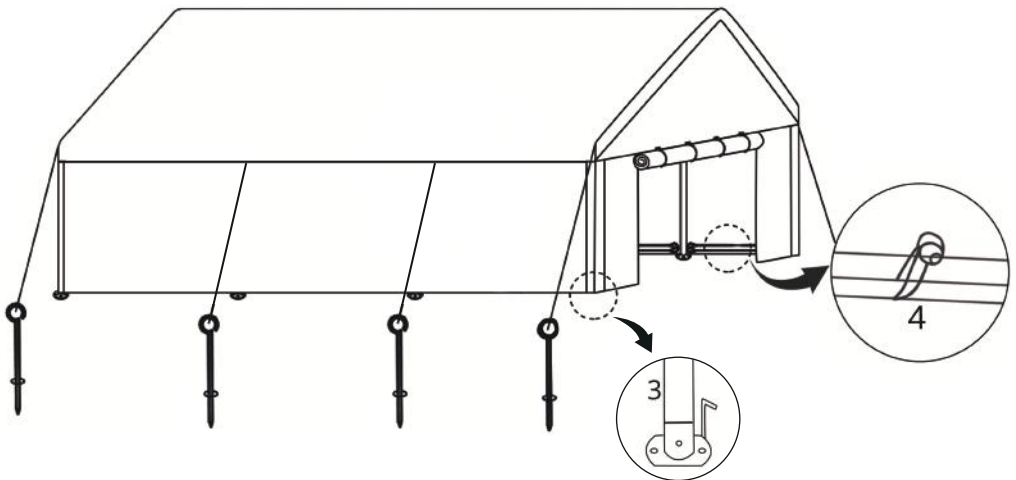
Step 5 Finish assembling the mainframe.

- Connect the rest 4 x poles (#3) with the connectors (#A & #B) on the other side.
- Tighten/loosen the leg covers (attached to the roof cover) by placing their hook into a proper adjusting hole on the poles (#3).
- Layout the 6 x Ground Bars (#4) as shown.
- Connect the Bars (#4) with the poles (#3). Attach a Foot Base to the bottom of each pole (#3), then align the ends of poles (#4) into their jointed hole, and finally fix them together by inserting and tightening a Screw (#H, M6 x 50 mm) into each jointed hole. You'll use 8 x Screws (#H) for the 8 joints.



Step 6 Attach the fabric (#K for the Sidewalls & # L for the Zipper Doors) and secure the whole structure.

- a) Connect the upper end of the fabric to the top frame with the Bungee Cords (#M).
- b) Fix all the fabric (Sidewalls & Zipper Doors) to the mainframe by wrapping it up with the poles (#3). (There are Velcro straps sewed on the sidewall).
- c) Insert the L-Shaped Pegs (#E) into the holes of the Foot Bases (#C). One peg for each foot base.
- d) Attach one end of the Ropes (#I) to the connectors (#A & #B) and fix the other end to the ground with Auger Anchors (#F).



Maintenance

To help you maintain your carport in optimal condition, please refer to our suggestions below.

- When in use, make sure to brush off dirt and debris and keep away from potentially damaging objects.
- Clean the cover and sidewalls with water and mild detergent (or non-detergent, if applicable) only.
- To prevent your carport from rust and mildew, please clean all disassembled parts and dry them completely before storing them.
- Store the disassembled carport in a cool and dry place and keep away from animals.
- Inspect your tent carefully before and after each use. If any rips, tears, or damage is found, stop using it and email the support team (sales@quictents.com or maxlead.us@gmail.com) with the **ORDER NUMBER, PART NUMBER, QUANTITY REQUIRED, and ANY PHOTOS (OR VIDEO CLIPS, IF APPLICABLE)**, we will get back to you in 12 hours.

Warranty

The limited warranty covering the materials and the craftsmanship under normal use and service conditions takes effect from the purchase date (on the invoice). Please note that the order purchase proof (order number or shipping information on the shipping carton) is the only valid evidence to claim for warranty.

- **12-month** warranty for the Steel Pole, Cover, and Zipper Door.
- A **lifetime** warranty for all the small accessories not mentioned above, including the Connectors, Pegs, Auger Anchors, Foot Bases, etc.

Reminder

1. In the event that you failed to access your order information online, we strongly advise you to keep the original packaging and shipping carton(s) because they are treated as a proof of purchase.
2. To get what you need as soon as possible, we strongly suggest you provide all of the following information **at your first inquiry**:
 - Order number
 - Required parts (name, quantity, and part number)
 - Quantity required for each part
 - Pictures (or video clips, if applicable)

Warning

- Restructuring the product without written permission from Quictent in advance would **VOID** the warranty.
- Damages due to improper use in severe weather conditions, including but not limited to high winds, heavy rain, sleet, snow, etc., will **NOT** be covered by the warranty.

Appendix

• Shelter for Backyard, Party, Event

Pop up Canopy



Quickest pop up canopies serve perfectly for your outdoor events, both personally and commercially. They always provide shades for outdoor activities such as parties, picnics, outings, etc, turning everywhere into a perfect place to relax. When it comes to selling at outdoor events, they are easy to handle in all aspects - unfolding (and folding), transporting, and storing. Rich in styles, sizes, and colors, you can always find one that goes well with your needs.

Party Tent



Preparing for parties and events? We've got your back. Diverse in sizes from a small one in 10' x 8' to a regular one in 10' x 20' or 10' x 30' and to a large one in 20' x 40', you can always find a perfect solution matching your demands. What's more, they span a wide range of styles.

Metal Gazebo



Owning a Quiccent metal gazebo is just like having another beautiful room in your backyard! The powder-coated steel frame is heavy-duty and can stand firmly outdoors for a long time. The mosquito netting adds privacy and protects you from bugs. The tan ones go with the surroundings well while the red ones are eye-catching.

Patio Umbrella



Quiccent patio umbrellas turn anywhere in the open air into a perfect site to "take a breath". They are a must-have for small businesses such as an outdoor café! For homeowners, they make your backyard the best place to relax, especially when you're looking for an escape from the heavy work or energy-taking daily travails.

Shade Sail

Why Quiccent provides so many choices for shade sails in colors and shapes? For aesthetics. Your patio would be pleasing to the eye if you mix shades in different colors and shapes, or overlap one a little while mounting others several feet higher or lower.



• Shelter for Vehicle

Carport



The Quictent carports share something in common: They are heavy-duty, easy-to-assemble, and of the most importance, supported by an industrial-leading after-sales service. You can choose from the ones with or without sidewalls depending on your needs.



Motorcycle Shelter

Recommended by so many riders, Quictent motorcycle shelters are proved to be the ultimate solution to protect your motorcycle from the elements. Buy one to see how the well-made cover and the heavy-duty structure realize the great protection.

Garage Shed

A Quictent outdoor storage shed is not only a budget-friendly solution to keep your belongings safe, but also helps organize your life - gone is the backyard/basement clutter.



Truck Tent



Light in weight and excellent in performance, QuicTent truck bed tents are always a safer and more comfortable choice for road trips with a pickup truck. They can protect you from the elements when traveling and keep warm & keep you away from the crawling insects when sleeping. More importantly, whenever you want to stop to rest, the big awning would get you sheltered. Take one home and get your pickup ready for a trip!

RV Cover



The QuicTent RV covers are a great investment for trailers of all kinds. Besides the great protection provided by the 6-layered tear-, water-, and UV-resistant cover, extra reinforced wind straps are the bonus coming with each order.

• Shelter for Plant

Greenhouse



As a necessity for all gardeners, Quicent greenhouses provide an ideal environment to ensure efficient growth and longer growing seasons. Available in mini, medium, and large walk-in ones.

Grow Tent



We highly recommend Quicent grow tents for anyone wanting to grow indoors. Passed the SGS certification, they'll help create an optimal growing environment. You're sure to be surprised by lots of built-in features like more reflective cover materials, the big observation window, convenient hooks, a waterproof tray floor, etc. Take one home to be the master of the temperatures, lights, humidity, and the like for your plants!

Garden Bed



A Quickent raised garden bed is highly recommended for gardening beginners since it makes you the controller of the size, location, and even soil conditions. An elevated one is the ultimate solution for gardeners with back pain or knee issues.

Quictent

SHELTERS FOR MOST PEOPLE



QT-FBM-CARSHELTER-202101