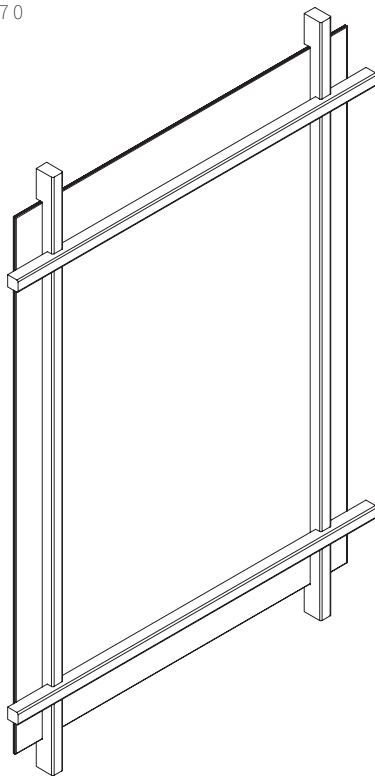


DAIKU

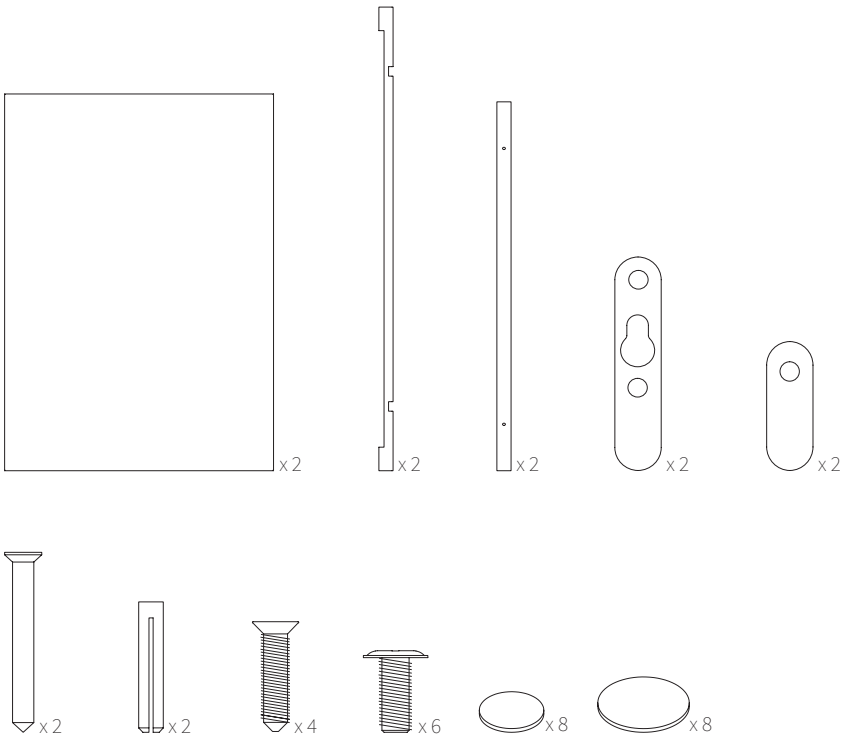
By Gejst Design Team

Instruction for 50x70



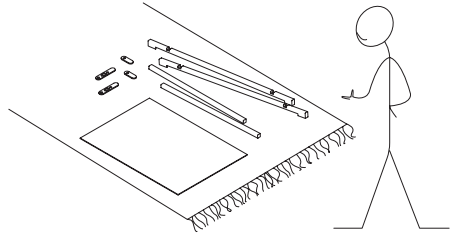
Content of the box

The box contains

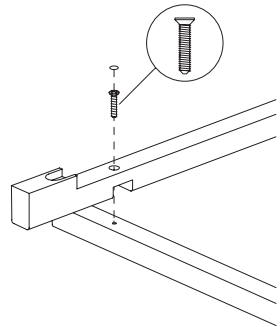


GEJST

- ① Start by opening up your box and lay out all the different parts on a blanket

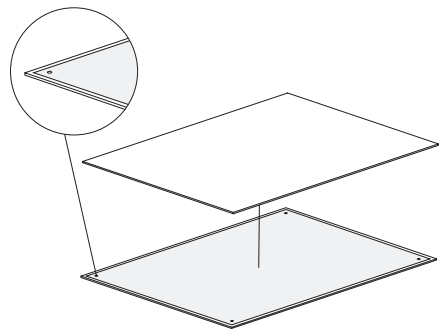


- ② Connect the short and long beams in the notches. Screw them together and place the small rubber sticker on top of the screw



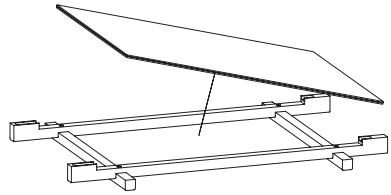
- ③ Place the poster on the glass. Place rubber dots without glue in the corners of the poster, to make sure that it will stay in place.

Place the last glass on top

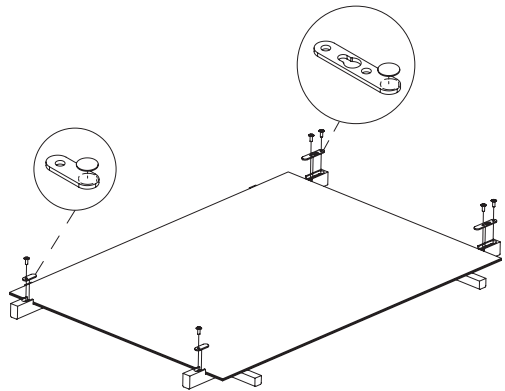


GEJST

- ④ Place the glass in the frame

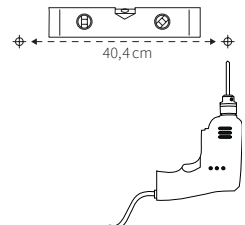


- ⑤ Place the the small rubber stickers on the brackets and attach them so the dots are facing downwards on the glass



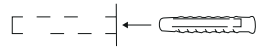
- ⑥ Make markings on the walls according to the drawing.

Drill a 6 mm hole in each of the markings



GEJST

- ⑦ Insert rawlplugs in the holes



- ⑧ Fasten the screw 7 mm from the wall



- ⑨ Place the frame on top of the screws and slide it downwards into place

