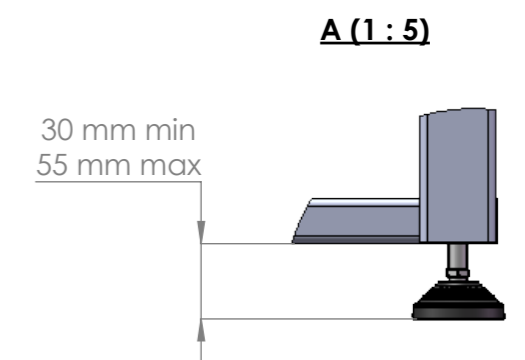
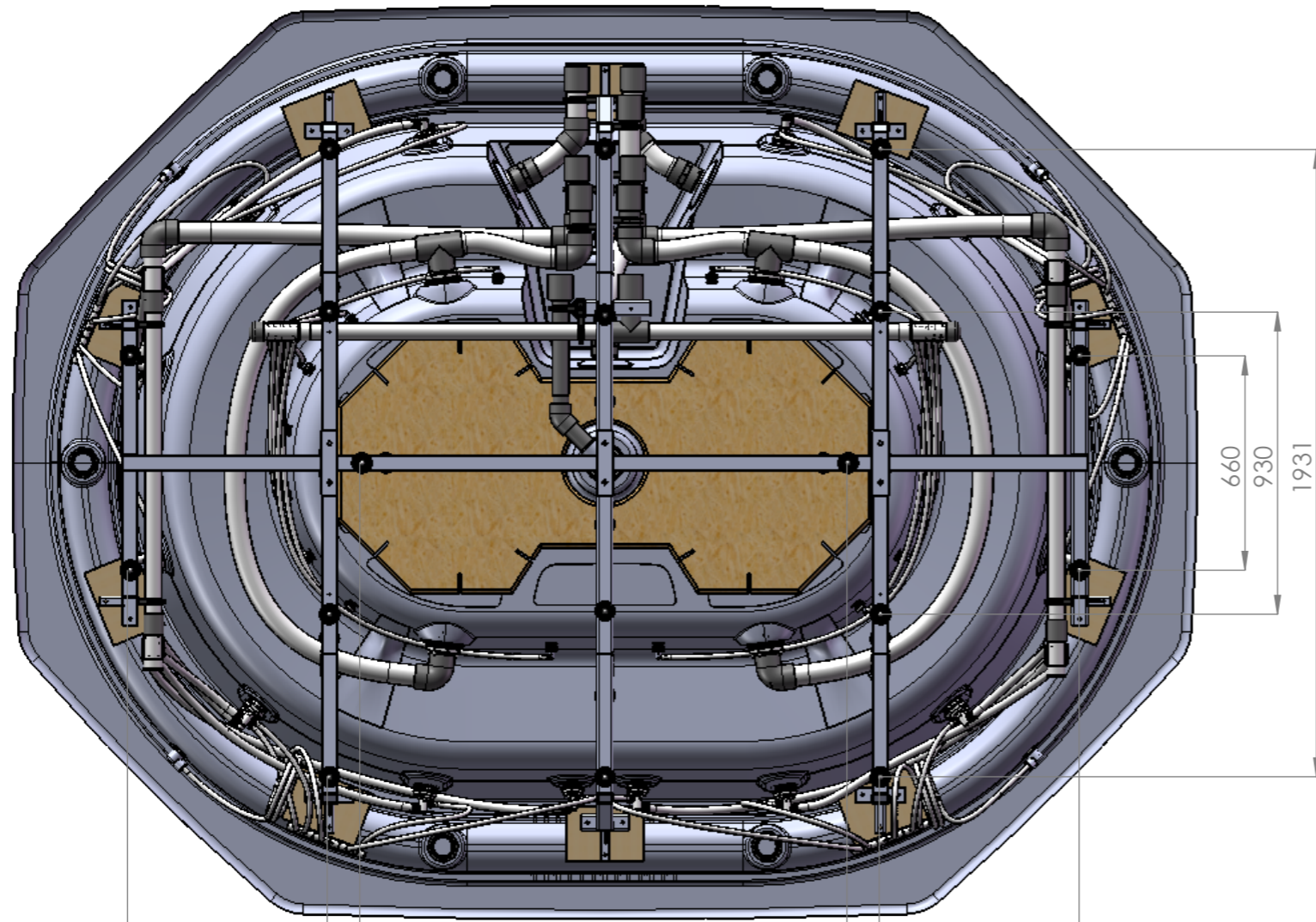
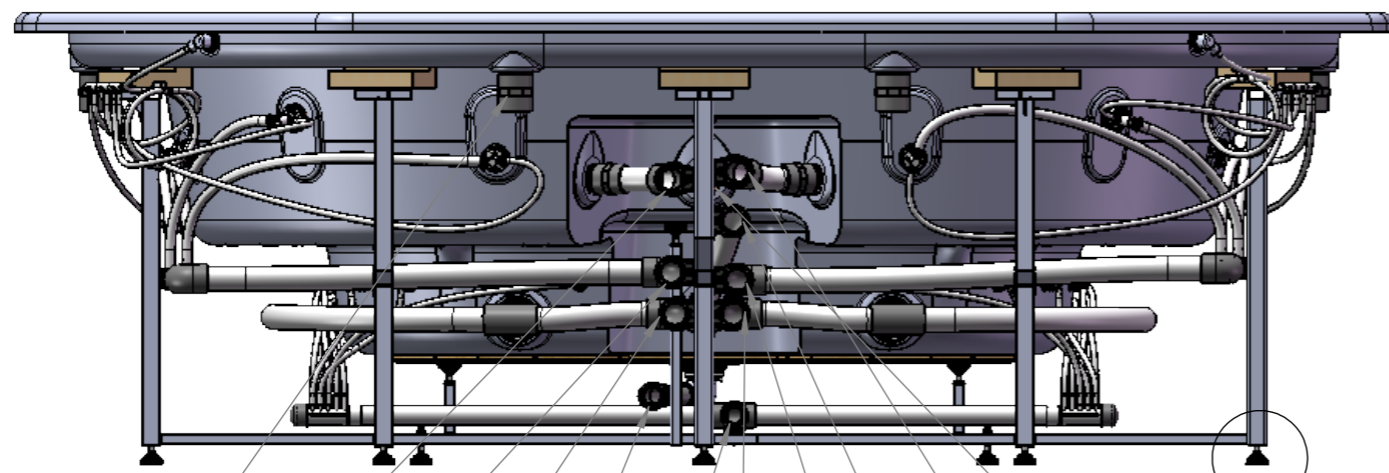
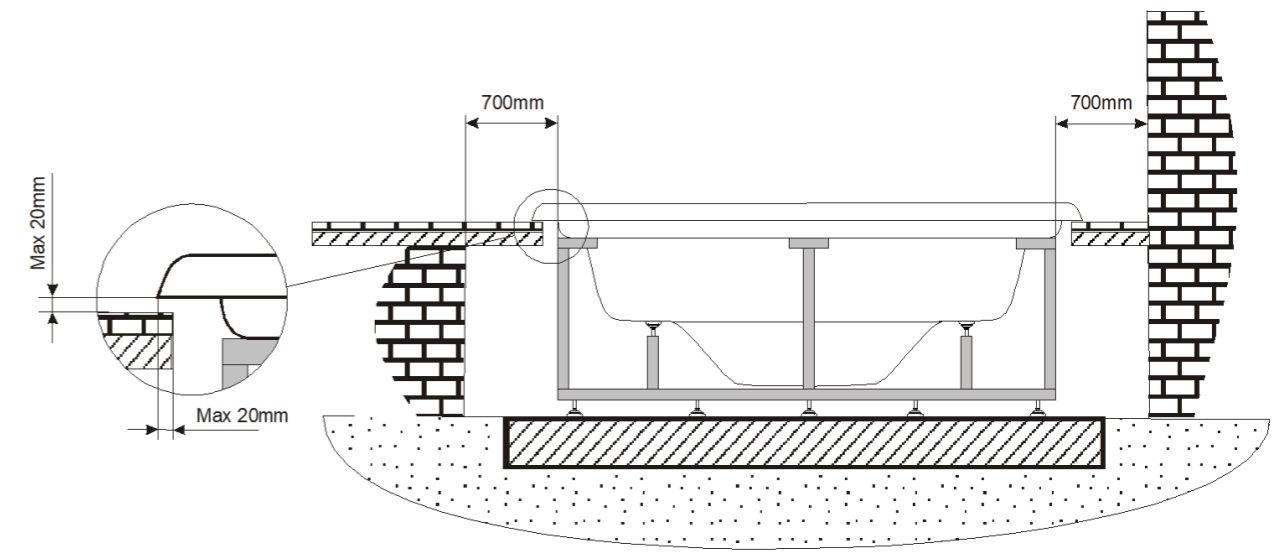


A	Suction-Water Massage Pump 1	Ø 63 FEMALE THREAD
B	Suction-Water Massage Pump 2	Ø 63 FEMALE THREAD
C	Return-Water Massage Pump 1	Ø 63 FEMALE THREAD
D	Return-Water Massage Pump 2	Ø 63 FEMALE THREAD
E	Return-Air Massage	Ø 63 FEMALE THREAD
F	Suction/Return-Filtration Pump Bottom Spa	Ø 63 FEMALE THREAD
G	Return-Filtration Pump Inlets (2x)	Ø 63 FEMALE THREAD
H	Overflow Drains	Ø 75 FEMALE THREAD
I	Light (Optional)	Optional






WARNING:
It's essential to keep a minimum clearance access of 700mm all around.



- H
- G
- C
- A
- F
- E
- B
- D
- G
- G
- I

According to our policy of continuous improvement, dimensions, features or components of this product can be partially or completely changed without prior notice.
It's Customer responsibility to verify that this is the last version of the drawing

Change No.	Date	Name	Modification								
Remarks				COMMERCIAL							
Dimensions in mm. General Tolerances +/- 10mm											
Drawn	11/06/2020	C.Fernandez				Part Number 73588		Rev. 00		First Angle Projection 	
Checked	11/06/2020	X.Codina									
Scale	1:20										
Sheet	2/3										
Property of IBERSPA S.L. Avda. Pla d'Urgell 2-8 25200 Cervera, Spain. Don't use without permission. Keep this information confidential and use it solely for the permitted purpose.											