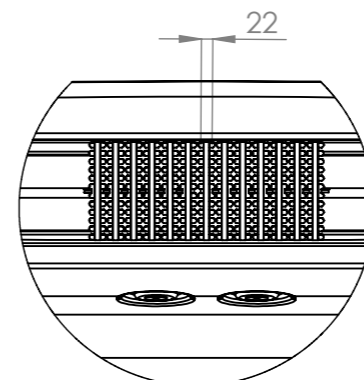



DETAIL GRID  
SCALE 1:4



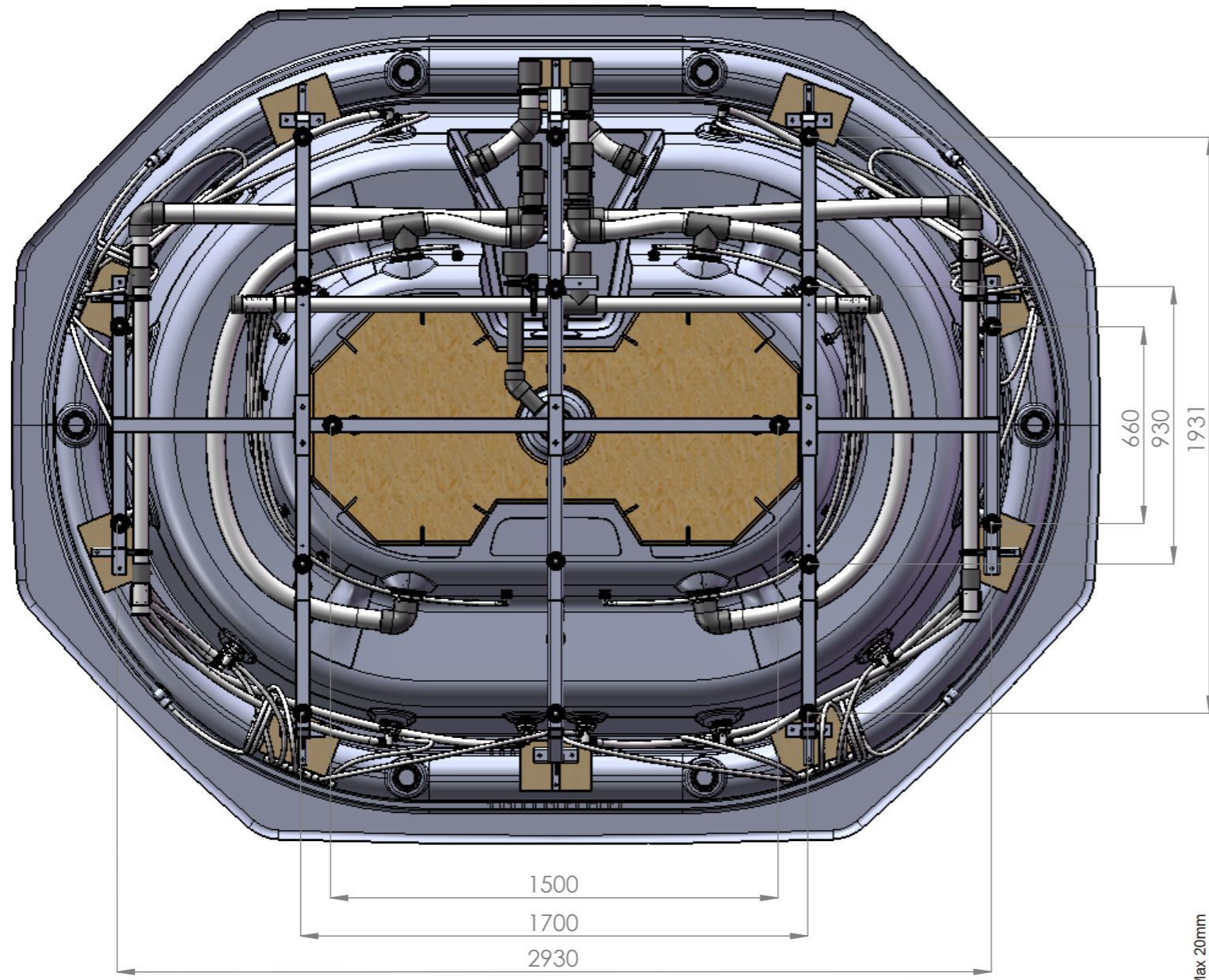
F (1 : 15)

According to our policy of continuous improvement, dimensions, features or components of this product can be partially or completely changed without prior notice. It's Customer responsibility to verify that this is the last version of the drawing

↑ ↑  
HYDRAULIC CONNECTIONS ACCESS

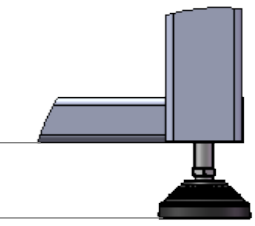
Change No.	Date	Name	Modification	COMMERCIAL DRAWING			
Remarks					Part Number	Rev.	First Angle Projection
Dimensions in mm. General Tolerances +/- 10mm							
Drawn	C.Fernandez	11/06/2020	Scale 1:20	General Tolerance			
Checked	X.Codina	11/06/2020	Sheet 1/3	DIN 7168 ISO 2768g			

A	Suction-Water Massage Pump 1	Ø63 FEMALE THREAD
B	Suction-Water Massage Pump 2	Ø63 FEMALE THREAD
C	Return-Water Massage Pump 1	Ø63 FEMALE THREAD
D	Return-Water Massage Pump 2	Ø63 FEMALE THREAD
E	Return-Air Massage	Ø63 FEMALE THREAD
F	Suction/Return-Filtration Pump Bottom Spa	Ø63 FEMALE THREAD
G	Return-Filtration Pump Inlets (2x)	Ø63 FEMALE THREAD
H	Overflow Drains	Ø75 FEMALE THREAD
I	Light (Optional)	Optional

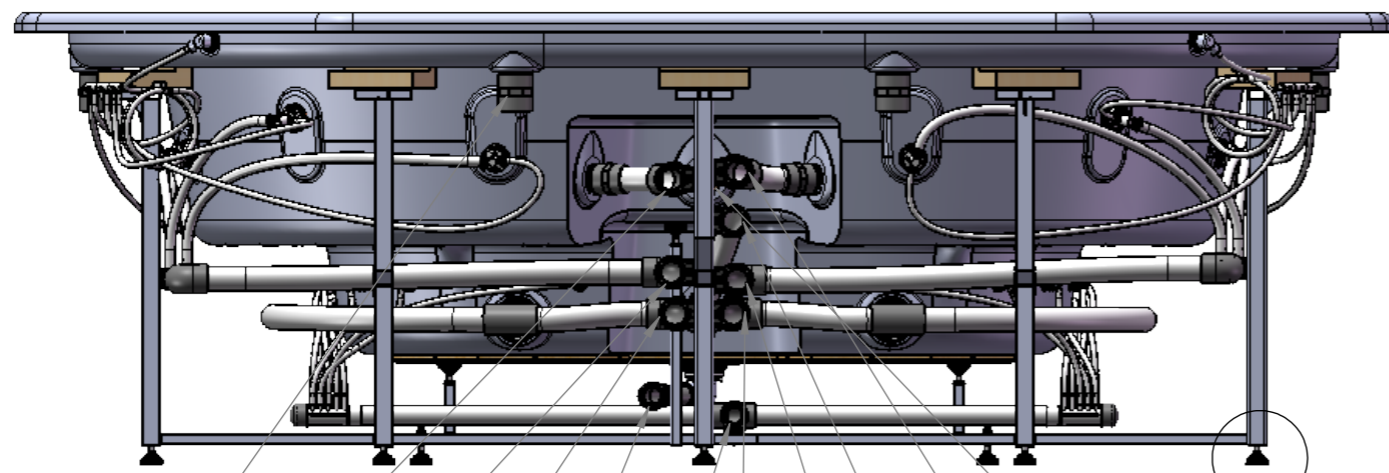
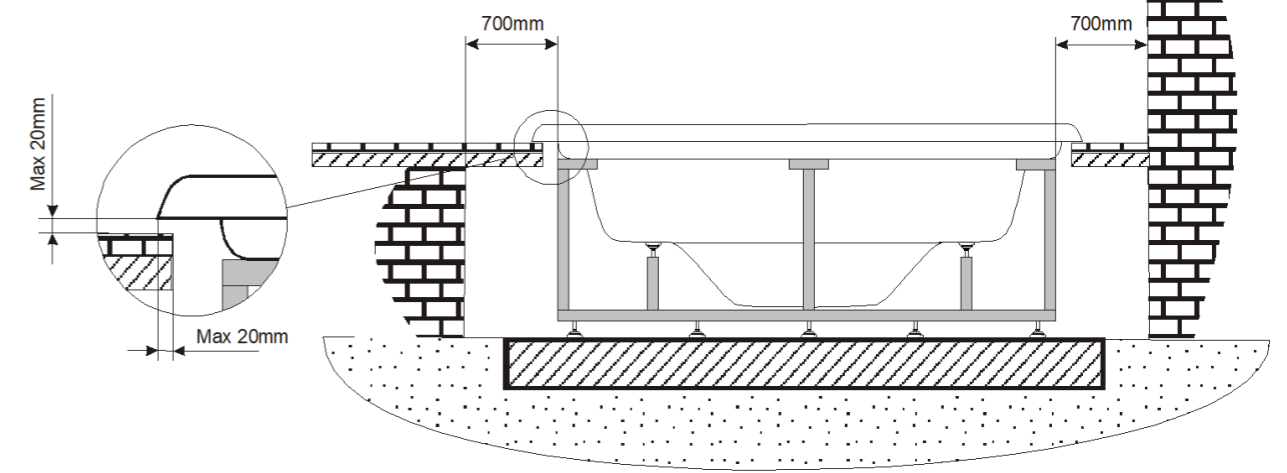


**A (1 : 5)**

30 mm min  
55 mm max



**WARNING:**  
It's essential to keep a minimum clearance access of **700mm** all around.



- H
- G
- C
- A
- F
- E
- B
- D
- G
- G
- I

According to our policy of continuous improvement, dimensions, features or components of this product can be partially or completely changed without prior notice.  
It's Customer responsibility to verify that this is the last version of the drawing

Change No.	Date	Name	Modification						
Remarks				<b>COMMERCIAL</b>					
Dimensions in mm. General Tolerances +/- 10mm									
Drawn	11/06/2020	C.Fernandez				Part Number	Rev.	First Angle Projection	
Checked	11/06/2020	X.Codina				73588	00		
Scale	1:20		General Tolerance						
Sheet	2/3		DIN 7168 ISO 2768g						
Property of IBERSPA S.L. Avda. Pla d'Urgell 2-8 25200 Cervera, Spain. Don't use without permission. Keep this information confidential and use it solely for the permitted purpose.									