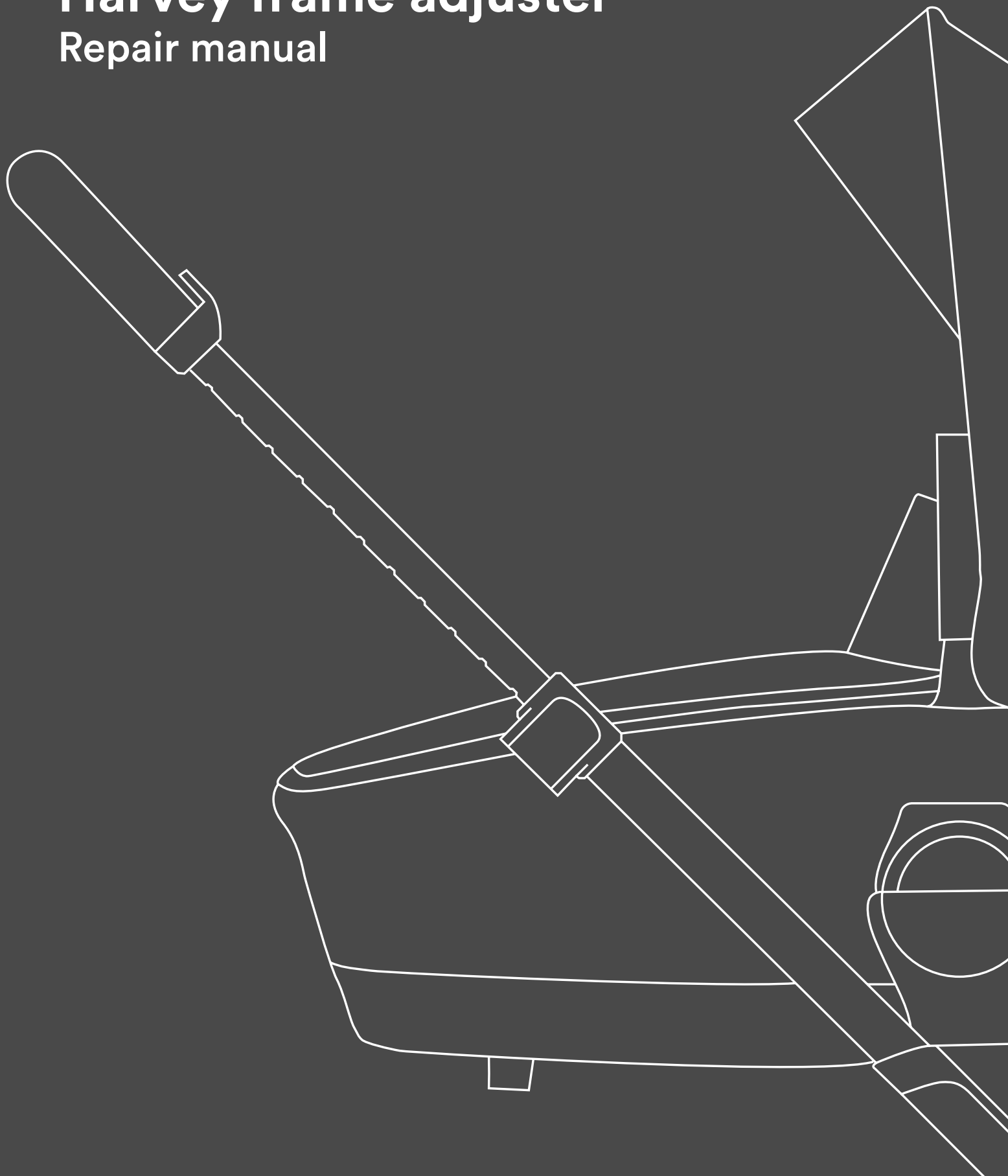


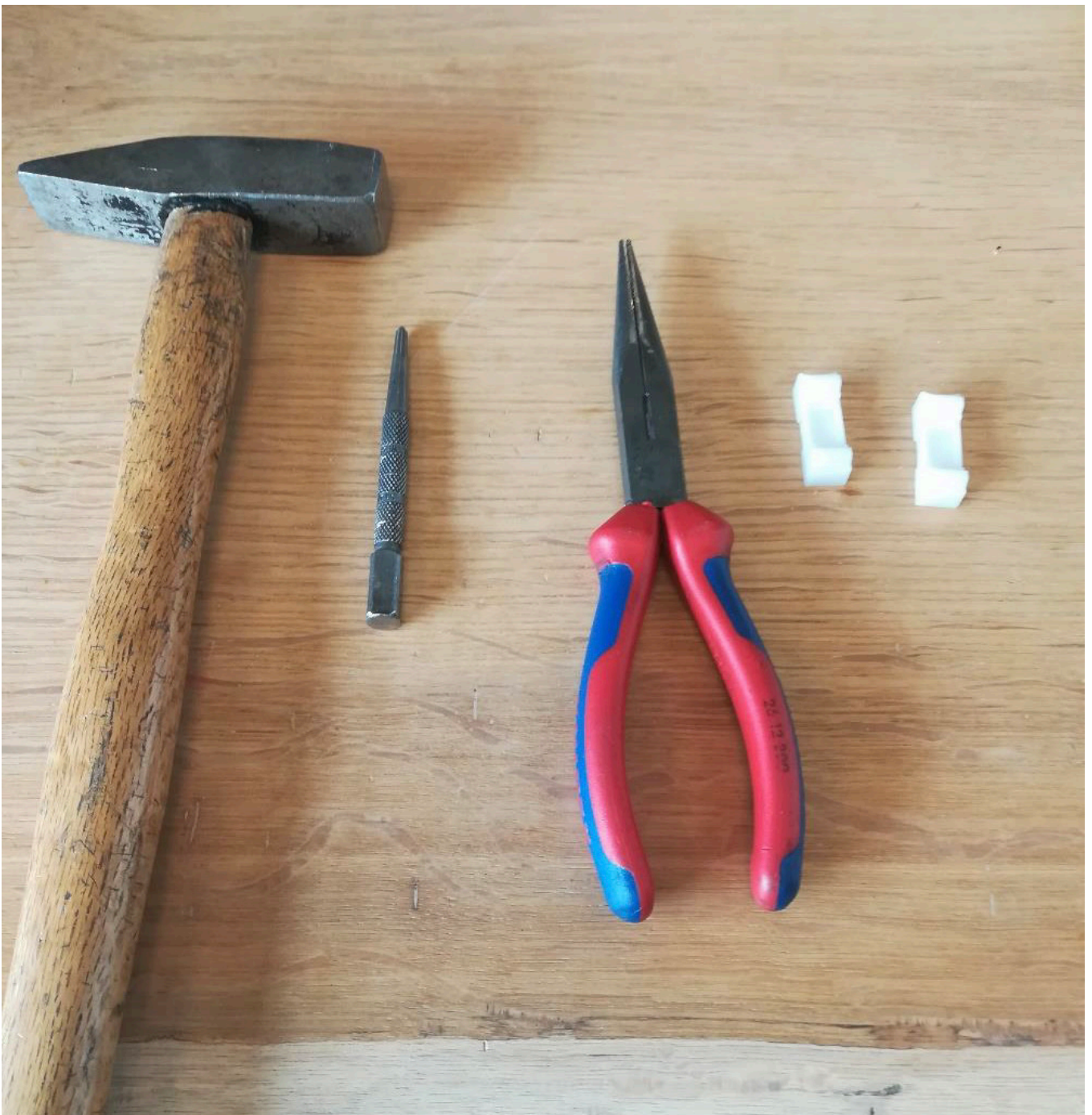
Harvey frame adjuster

Repair manual



The reason for the handle bar adjuster not working anymore are faulty handlebar connector stoppers (SHA60080), the small white parts you see below. These need to be swapped.

① Tools and spare parts:



② Open the adjusters on both sides of the frame



3 Remove the pins on both sides



4 Remove all other small parts




- 5 Swap the faulty part (handlebar connector stopper) on both sides



⑥ Close the adjuster mechanisms again



 The handle bar should work fine again



