



DIECI



PEGASUS 360°



40.25



50.19



50.21



60.16

| PERFORMANCE | | | | |
|--|----------------------|----------------------|----------------------|----------------------|
| Vehicle model | PEGASUS 40.25 | PEGASUS 50.19 | PEGASUS 50.21 | PEGASUS 60.16 |
| Maximum capacity | 4000 kg (8818 lb) | 5000 kg (11023 lb) | 5000 kg (11023 lb) | 6000 kg (13228 lb) |
| Maximum lifting height | 24,10 m (79,1 ft) | 18,70 m (61,4 ft) | 20,50 m (67,3 ft) | 15,70 m (51,5 ft) |
| Maximum horizontal extension | 20,50 m (67,3 ft) | 16,40 m (53,8 ft) | 18,00 m (59,1 ft) | 13,00 m (42,7 ft) |
| Fork swiveling angle | 133° | 133° | 133° | 133° |
| Pull-out force | 5700 daN (12814 lbf) | 5700 daN (12814 lbf) | 5700 daN (12814 lbf) | 5700 daN (12814 lbf) |
| Towing force | 9400 daN (21132 lbf) | 9400 daN (21132 lbf) | 9400 daN (21132 lbf) | 9000 daN (20233 lbf) |
| Maximum climb angle | 40% | 40% | 40% | 40% |
| Unladen weight | 17500 kg (38581 lb) | 16500 kg (36376 lb) | 17540 kg (38669 lb) | 16600 kg (36597 lb) |
| Max speed (referred to wheels with maximum permitted diameter) | 40 km/h (24,9 mph) | 40 km/h (24,9 mph) | 40 km/h (24,9 mph) | 40 km/h (24,9 mph) |

| BOOM | | | | |
|-------------------|---------------|---------------|---------------|---------------|
| Vehicle model | PEGASUS 40.25 | PEGASUS 50.19 | PEGASUS 50.21 | PEGASUS 60.16 |
| Lifting | 21,9 s | 21,9 s | 21,9 s | 24,8 s |
| Descent | 13,8 s | 13,8 s | 13,8 s | 16,5 s |
| Extension | 44,4 s | 27,8 s | 31,2 s | 24,7 s |
| Retraction | 23,1 s | 16,9 s | 17,4 s | 11,6 s |
| Forward swiveling | 3,7 s | 3,7 s | 3,7 s | 5,7 s |
| Reverse swiveling | 2,3 s | 2,3 s | 2,3 s | 2,5 s |

| ENGINE | | | | |
|-------------------------------------|---|---|---|---|
| Vehicle model | PEGASUS 40.25 | PEGASUS 50.19 | PEGASUS 50.21 | PEGASUS 60.16 |
| Brand | FPT | FPT | FPT | FPT |
| Nominal power | 104 kW (139 HP) | 104 kW (139 HP) | 104 kW (139 HP) | 104 kW (139 HP) |
| @rpm | 2200 rpm | 2200 rpm | 2200 rpm | 2200 rpm |
| Peak power | 107 kW (143 HP) | 107 kW (143 HP) | 107 kW (143 HP) | 107 kW (143 HP) |
| @rpm | 2000 rpm | 2000 rpm | 2000 rpm | 2000 rpm |
| Operation | 4-stroke | 4-stroke | 4-stroke | 4-stroke |
| Injection | Electronic, Common Rail | Electronic, Common Rail | Electronic, Common Rail | Electronic, Common Rail |
| Number and arrangement of cylinders | 4, Vertical in line | 4, Vertical in line | 4, Vertical in line | 4, Vertical in line |
| Displacement | 4485 cm ³ (274 in ³) | 4485 cm ³ (274 in ³) | 4485 cm ³ (274 in ³) | 4485 cm ³ (274 in ³) |
| Emission standard | Stage IIIA/Tier 3 | Stage IIIA/Tier 3 | Stage IIIA/Tier 3 | Stage IIIA/Tier 3 |
| Cooling system | Liquid | Liquid | Liquid | Liquid |
| Intake | Turbo compressor 16 valve | Turbo compressor 16 valve | Turbo compressor 16 valve | Turbo compressor 16 valve |

| DIFFERENTIAL AXLES | | | | |
|--------------------|---|---|---|---|
| Vehicle model | PEGASUS 40.25 | PEGASUS 50.19 | PEGASUS 50.21 | PEGASUS 60.16 |
| Type of axles | 2 steering, with 4 planetary reduction gears | 2 steering, with 4 planetary reduction gears | 2 steering, with 4 planetary reduction gears | 2 steering, with 4 planetary reduction gears |
| Type of steering | 4 wheels / transversal / 2 wheels | 4 wheels / transversal / 2 wheels | 4 wheels / transversal / 2 wheels | 4 wheels / transversal / 2 wheels |
| Front axle | With transverse leveling device driven by the cab | With transverse leveling device driven by the cab | With transverse leveling device driven by the cab | With transverse leveling device driven by the cab |
| Rear axle | Swinging | Swinging | Swinging | Swinging |
| Service braking | Oil bath with servo brake on front and rear axle with double hydraulic system | Oil bath with servo brake on front and rear axle with double hydraulic system | Oil bath with servo brake on front and rear axle with double hydraulic system | Oil bath with servo brake on front and rear axle with double hydraulic system |
| Parking braking | Negative actuation with electrical control | Negative actuation with electrical control | Negative actuation with electrical control | Negative actuation with electrical control |

| HYDRAULIC SYSTEM | | | | |
|-------------------------|---|---|---|---|
| Vehicle model | PEGASUS 40.25 | PEGASUS 50.19 | PEGASUS 50.21 | PEGASUS 60.16 |
| Hydraulic pump type | Gear pump for power steering and movements | Gear pump for power steering and movements | Gear pump for power steering and movements | Gear pump for power steering and movements |
| Hydraulic pump capacity | 135 L/min (35,7 gal/min) | 135 L/min (35,7 gal/min) | 135 L/min (35,7 gal/min) | 135 L/min (35,7 gal/min) |
| Max. operating pressure | 23,0 MPa (3336 psi) | 23,0 MPa (3336 psi) | 23,0 MPa (3336 psi) | 23,0 MPa (3336 psi) |
| Distributor control | Proportional 5in1 Joystick | Proportional 5in1 Joystick | Proportional 5in1 Joystick | Proportional 5in1 Joystick |
| Distributor type | Hydraulic in 5 sections with "Load Sensing" proportional electronic servo-control with "Flow Sharing", 5 simultaneous movements | Hydraulic in 5 sections with "Load Sensing" proportional electronic servo-control with "Flow Sharing", 5 simultaneous movements | Hydraulic in 5 sections with "Load Sensing" proportional electronic servo-control with "Flow Sharing", 5 simultaneous movements | Hydraulic in 5 sections with "Load Sensing" proportional electronic servo-control with "Flow Sharing", 5 simultaneous movements |

| REFUELING | | | | |
|--------------------------|---------------------|---------------------|---------------------|---------------------|
| Vehicle model | PEGASUS 40.25 | PEGASUS 50.19 | PEGASUS 50.21 | PEGASUS 60.16 |
| Hydraulic system (total) | 270,0 L (71,33 gal) | 270,0 L (71,33 gal) | 270,0 L (71,33 gal) | 270,0 L (71,33 gal) |
| Fuel tank | 180,0 L (47,55 gal) | 180,0 L (47,55 gal) | 180,0 L (47,55 gal) | 180,0 L (47,55 gal) |

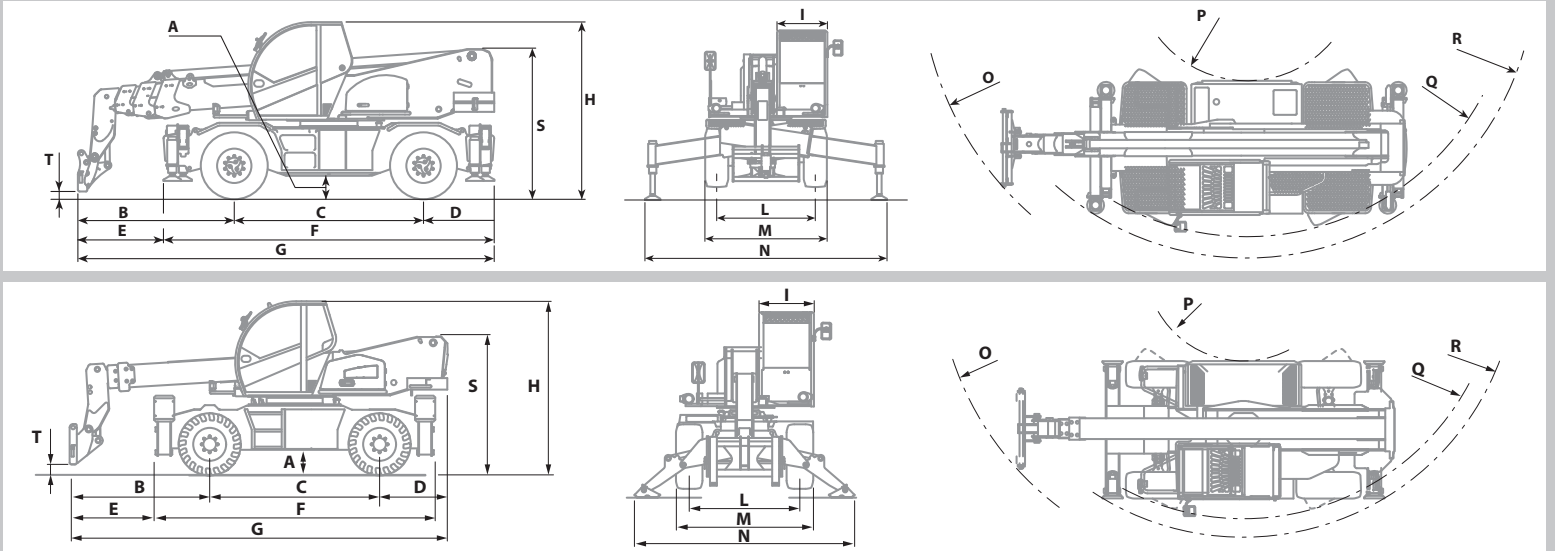
| TRANSMISSION | | | | |
|----------------------|--|--|--|--|
| Vehicle model | PEGASUS 40.25 | PEGASUS 50.19 | PEGASUS 50.21 | PEGASUS 60.16 |
| Transmission type | Hydrostatic with variable flow pump | Hydrostatic with variable flow pump | Hydrostatic with variable flow pump | Hydrostatic with variable flow pump |
| Hydraulic motor | Hydrostatic with continuous automatic adjustment | Hydrostatic with continuous automatic adjustment | Hydrostatic with continuous automatic adjustment | Hydrostatic with continuous automatic adjustment |
| Reversal | Electrohydraulic | Electrohydraulic | Electrohydraulic | Electrohydraulic |
| Inching | With inching pedal for controlled forward movement | With inching pedal for controlled forward movement | With inching pedal for controlled forward movement | With inching pedal for controlled forward movement |
| Transmission gearbox | Servocontrolled 2-speed | Servocontrolled 2-speed | Servocontrolled 2-speed | Servocontrolled 2-speed |

TIRES

| Vehicle model | PEGASUS 40.25 | PEGASUS 50.19 | PEGASUS 50.21 | PEGASUS 60.16 |
|----------------|---------------|---------------|---------------|---------------|
| Standard tires | 18R22.5" | 18R22.5" | 18R22.5" | 18R22.5" |
| Optional tires | 18x22.5" | 18x22.5" | 18x22.5" | 18x22.5" |

DIMENSIONS

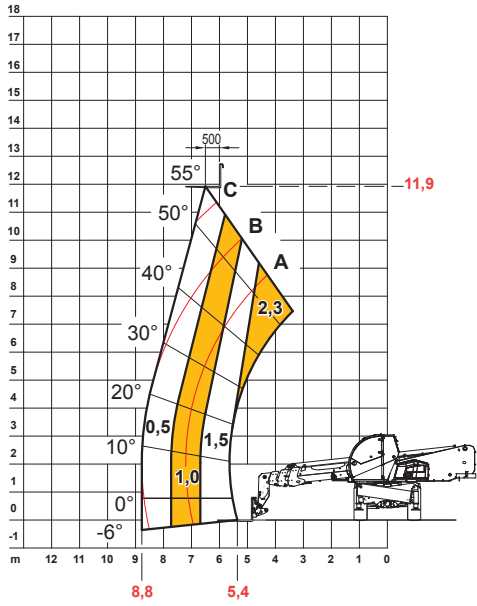
| Vehicle model | PEGASUS 40.25 | PEGASUS 50.19 | PEGASUS 50.21 | PEGASUS 60.16 |
|---------------|--------------------|--------------------|--------------------|--------------------|
| A | 360 mm (14,2 in) | 360 mm (14,2 in) | 360 mm (14,2 in) | 360 mm (14,2 in) |
| B | 3410 mm (134,3 in) | 2660 mm (104,7 in) | 2835 mm (111,6 in) | 2580 mm (101,6 in) |
| C | 2950 mm (116,1 in) | 2950 mm (116,1 in) | 2950 mm (116,1 in) | 2950 mm (116,1 in) |
| D | 1640 mm (64,6 in) | 1150 mm (45,3 in) | 1365 mm (53,7 in) | 1190 mm (46,9 in) |
| E | 2240 mm (88,2 in) | 1510 mm (59,4 in) | 1665 mm (65,6 in) | 1580 mm (62,2 in) |
| F | 5290 mm (208,3 in) | 5290 mm (208,3 in) | 5290 mm (208,3 in) | 4940 mm (194,5 in) |
| G | 8000 mm (315 in) | 6800 mm (267,7 in) | 7150 mm (281,5 in) | 6720 mm (264,6 in) |
| H | 3020 mm (118,9 in) | 3020 mm (118,9 in) | 3020 mm (118,9 in) | 3020 mm (118,9 in) |
| I | 980 mm (38,6 in) | 980 mm (38,6 in) | 980 mm (38,6 in) | 980 mm (38,6 in) |
| L | 1920 mm (75,6 in) | 1920 mm (75,6 in) | 1920 mm (75,6 in) | 1920 mm (75,6 in) |
| M | 2380 mm (93,7 in) | 2380 mm (93,7 in) | 2380 mm (93,7 in) | 2380 mm (93,7 in) |
| N | 5070 mm (199,6 in) | 4800 mm (189 in) | 5070 mm (199,6 in) | 3820 mm (150,4 in) |
| O | 6000 mm (236,2 in) | 5450 mm (214,6 in) | 5630 mm (221,7 in) | 5380 mm (211,8 in) |
| P | 1700 mm (66,9 in) | 1700 mm (66,9 in) | 1700 mm (66,9 in) | 1700 mm (66,9 in) |
| Q | 4430 mm (174,4 in) | 4430 mm (174,4 in) | 4430 mm (174,4 in) | 4430 mm (174,4 in) |
| R | 4790 mm (188,6 in) | 4790 mm (188,6 in) | 4790 mm (188,6 in) | 4800 mm (189 in) |
| S | 2651 mm (104,4 in) | 2556 mm (100,6 in) | 2556 mm (100,6 in) | 2604 mm (102,5 in) |
| T | 85 mm (3,3 in) | 150 mm (5,9 in) | 119 mm (4,7 in) | 111 mm (4,4 in) |



MAX 2,3 t

500 mm

AXB154I



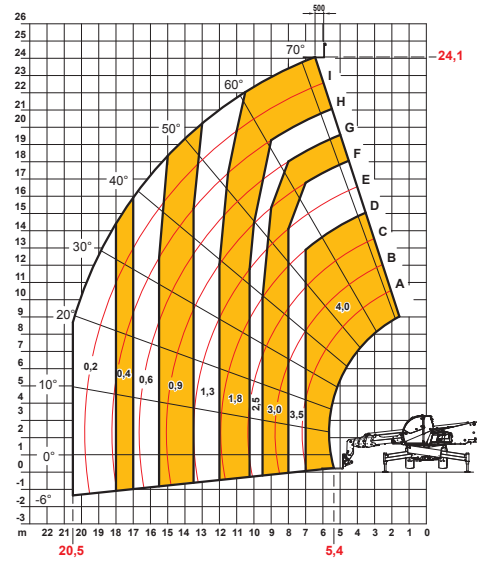
EN1459

40.25

MAX 4,0 t

500 mm

AXB154/I



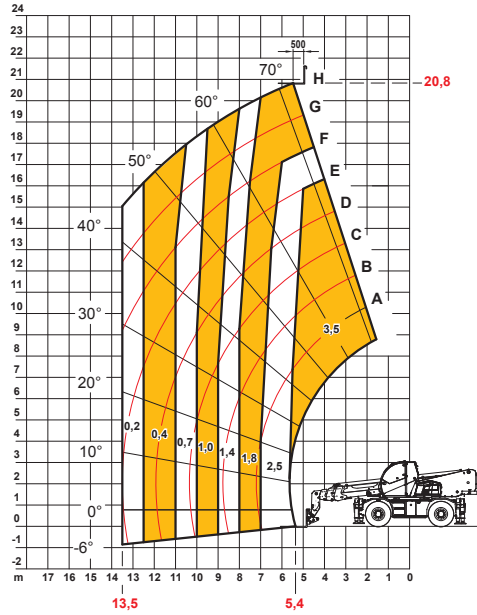
EN1459

40.25

MAX 3,5 t

500 mm

AXB154I/12



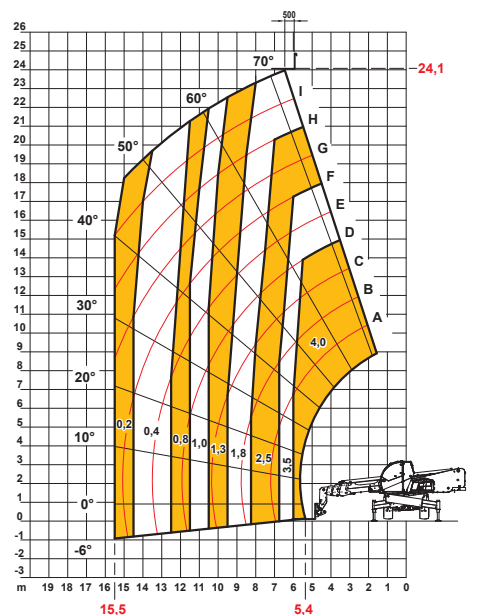
EN1459

40.25

MAX 4,0 t

500 mm

AXB154I/127



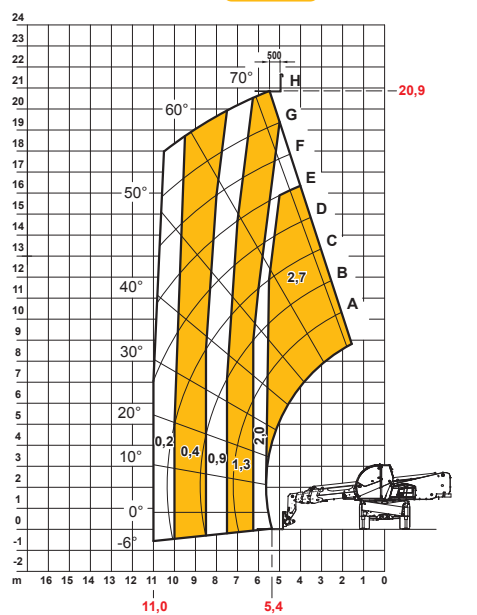
EN1459

40.25

MAX 2,7 t

500 mm

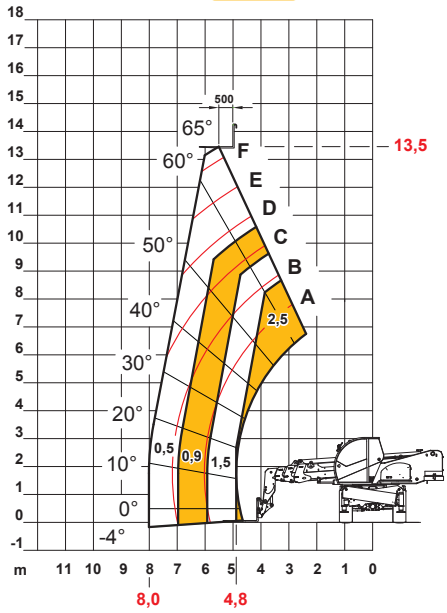
AXB154I/128



EN1459

40.25

MAX 2,5 t



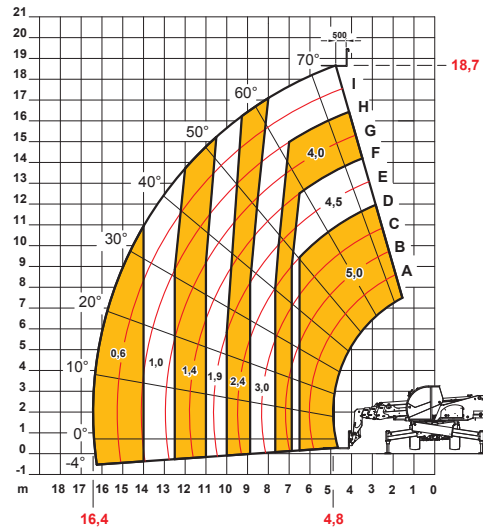
AXBI539



EN1459

50.19

MAX 5,0 t



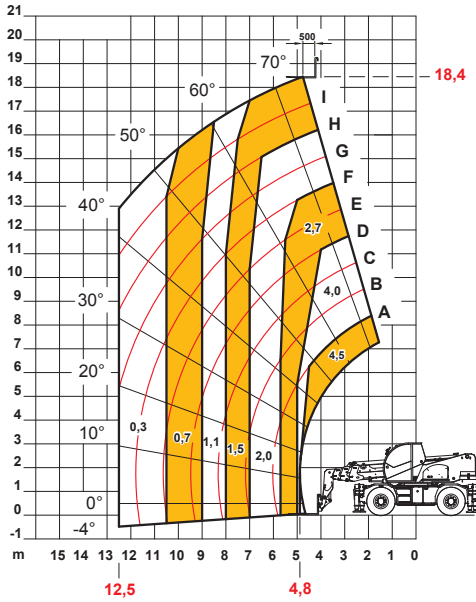
AXBI539



EN1459

50.19

MAX 4,5 t



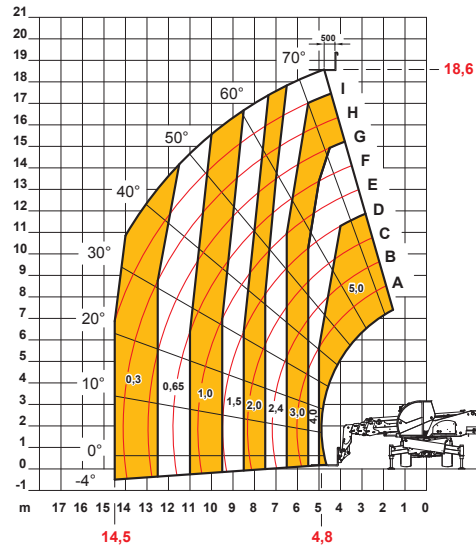
AXBI539-I2



EN1459

50.19

MAX 5,0 t



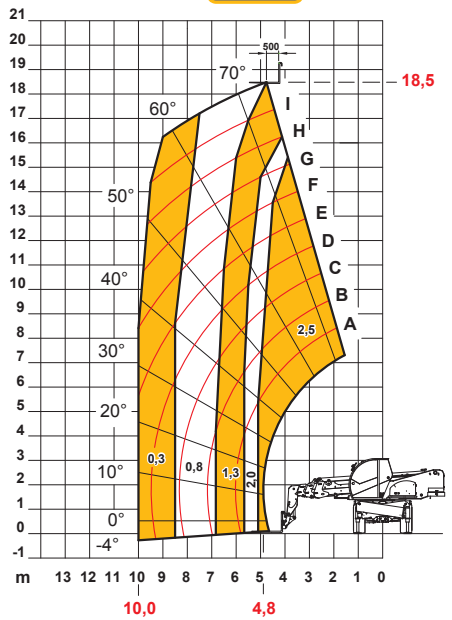
AXBI539-I27



EN1459

50.19

MAX 2,5 t



AXBI539-I28



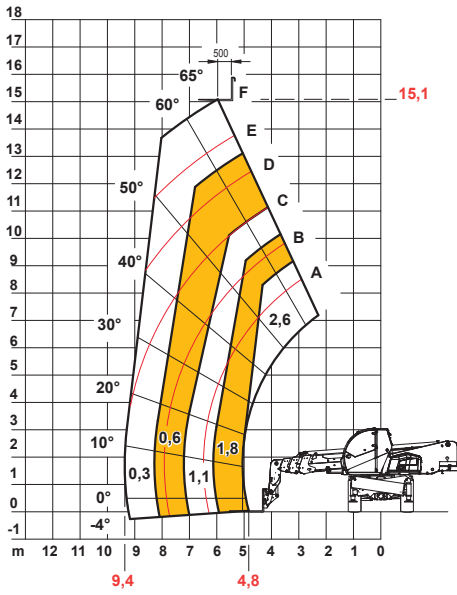
EN1459

50.19

MAX 2,6 t



AXBI540



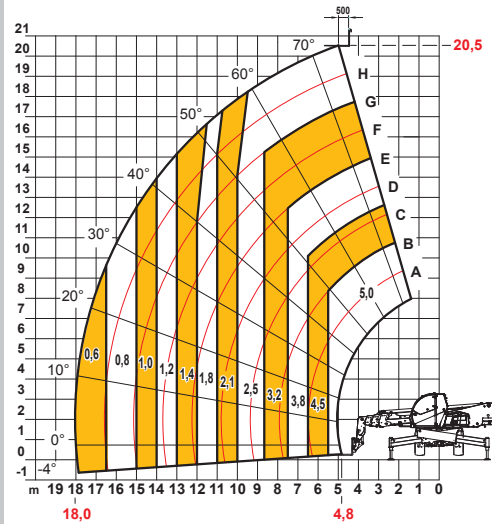
EN1459

50.21

MAX 5,0 t



AXBI540/1



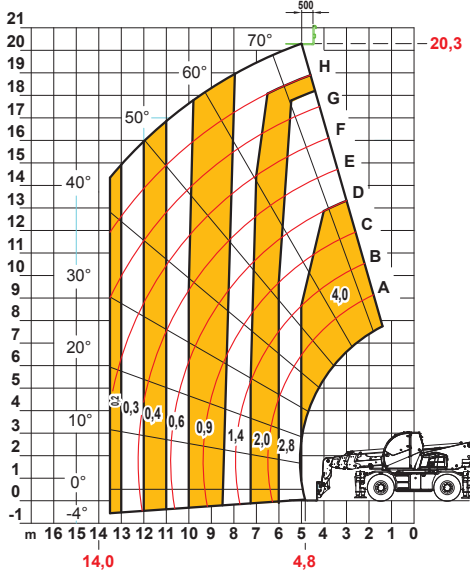
EN1459

50.21

MAX 4,0 t



AXBI540/12



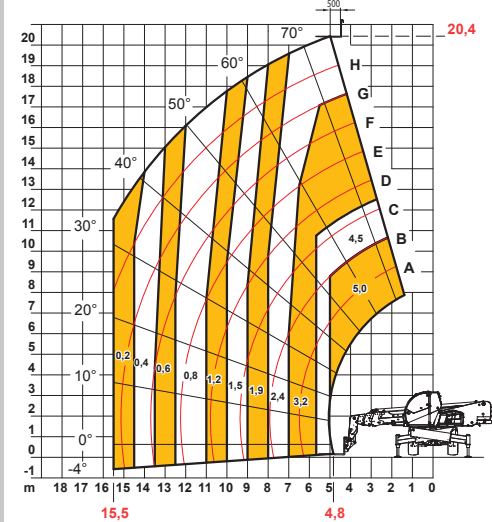
EN1459

50.21

MAX 5,0 t



AXBI540/127



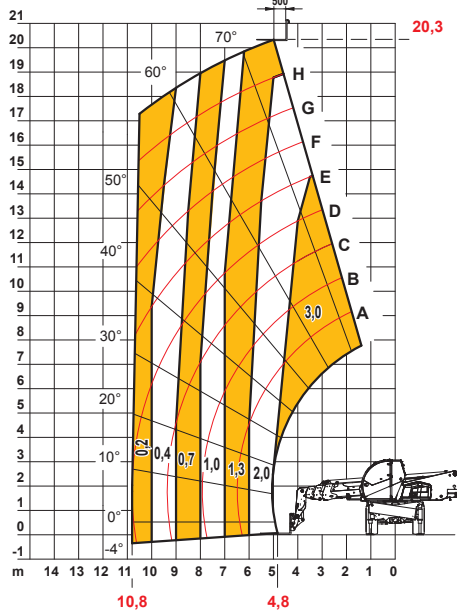
EN1459

50.21

MAX 3,0 t



AXBI540/12B



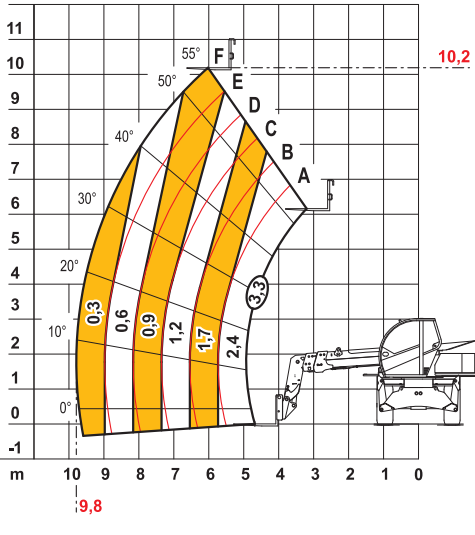
EN1459

50.21

MAX 3,3 t



AXB1392



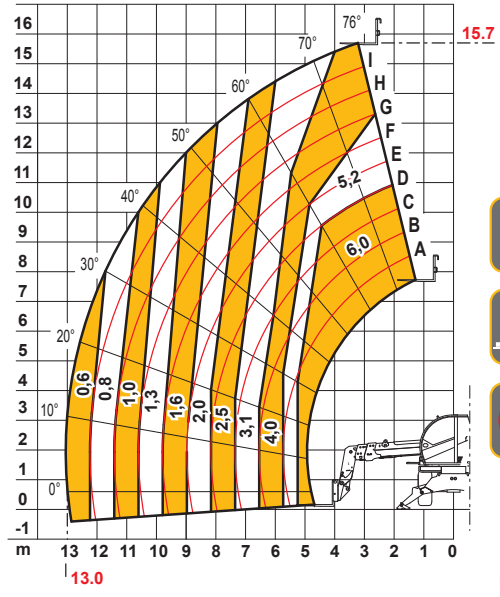
EN1459

60.16

MAX 6,0 t



AXB1392/1



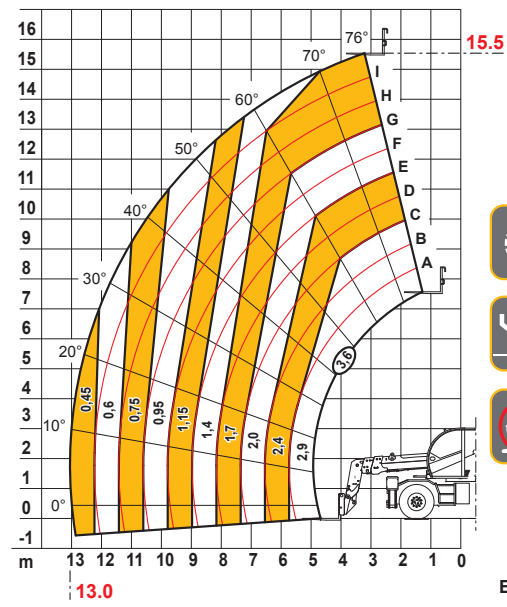
EN1459

60.16

MAX 3,6 t



AXB1392/12



EN1459

60.16

