



DIECI



25.6 R



25.6

APOLLO

PERFORMANCE

Vehicle model	APOLLO 25.6 R	APOLLO 25.6
Maximum capacity	2500 kg (5512 lb)	2500 kg (5512 lb)
Maximum lifting height	5,78 m (19 ft)	5,78 m (19 ft)
Maximum horizontal extension	3,25 m (10,7 ft)	3,25 m (10,7 ft)
Fork swiveling angle	129°	129°
Pull-out force	7600 daN (17085 lbf)	7600 daN (17085 lbf)
Towing force	3400 daN (7644 lbf)	4400 daN (9892 lbf)
Maximum climb angle	40%	40%
Unladen weight	4800 kg (10582 lb)	4900 kg (10803 lb)
Max speed (referred to wheels with maximum permitted diameter)	23 km/h (14,3 mph)	30 km/h (18,6 mph)

BOOM

Vehicle model	APOLLO 25.6 R	APOLLO 25.6
Lifting	8,8 s	7,8 s
Descent	4,1 s	4,1 s
Extension	6,1 s	6,1 s
Retraction	3,4 s	3,4 s
Forward swiveling	3,5 s	3,5 s
Reverse swiveling	2,2 s	2,2 s

ENGINE

Vehicle model	APOLLO 25.6 R	APOLLO 25.6
Brand	Kubota	Kubota
Nominal power	36,5 kW (49 HP)	55,4 kW (74 HP)
@rpm	2700 rpm	2600 rpm
Operation	4-stroke	4-stroke
Injection	Mechanical	Mechanical
Number and arrangement of cylinders	4, Vertical in line	4, Vertical in line
Displacement	2615 cm ³ (160 in ³)	3331 cm ³ (203 in ³)
Emission standard	Stage IIIA/Tier 3	Stage IIIA/Tier 3
Cooling system	Liquid	Liquid
Intake	Natural	Turbo compressor

DIFFERENTIAL AXLES

Vehicle model	APOLLO 25.6	APOLLO 25.6 R
Type of axles	2 steering, with 4 planetary reduction gears	2 steering, with 4 epicycloidal reduction gears
Type of steering	4 wheels / transversal / 2 wheels	4 wheels / transversal / 2 wheels
Front axle	Rigid	Rigid
Rear axle	Swinging	Swinging
Service braking	Oil bath on front axle	Oil bath on front axle
Parking braking	Negative actuation with electrical control	Negative actuation with electrical control

HYDRAULIC SYSTEM

Vehicle model	APOLLO 25.6 R	APOLLO 25.6
Hydraulic pump type	Gear pump for power steering and movements	Gear pump for power steering and movements
Hydraulic pump capacity	70 L/min (18,5 gal/min)	80 L/min (21,1 gal/min)
Max. operating pressure	23,0 MPa (3336 psi)	23,0 MPa (3336 psi)
Distributor control	Proportional 4in1 Joystick	4in1 proportional Joystick

REFUELING

Vehicle model	APOLLO 25.6 R	APOLLO 25.6
Hydraulic system (total)	70,0 L (18,49 gal)	70,0 L (18,49 gal)
Fuel tank	80,0 L (21,13 gal)	80,0 L (21,13 gal)

TRANSMISSION

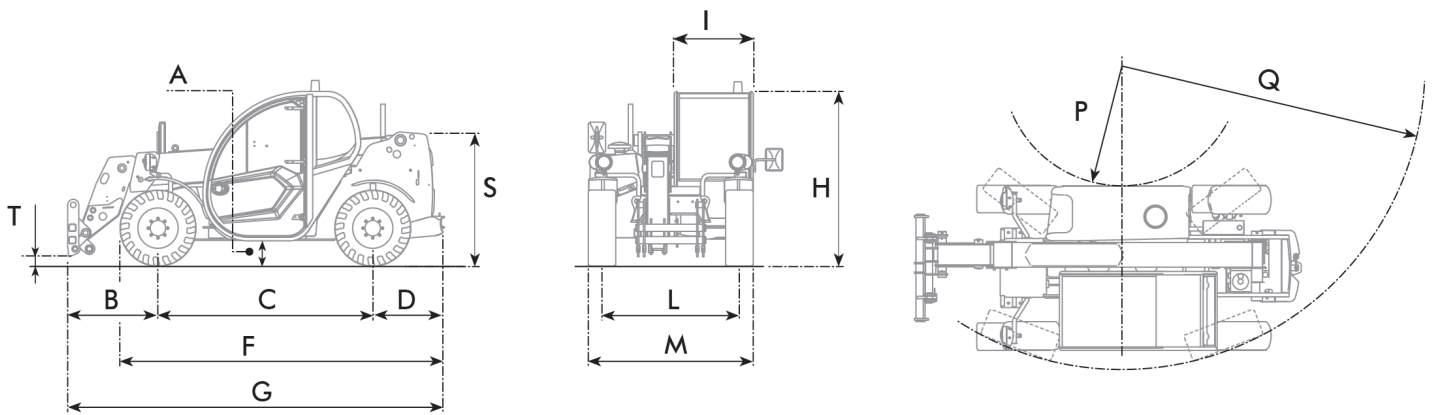
Vehicle model	APOLLO 25.6 R	APOLLO 25.6
Transmission type	Single speed Hydrostatic transmission with variable displacement pump	Single speed Hydrostatic transmission with variable displacement pump
Hydraulic motor	Hydrostatic with continuous automatic adjustment	Hydrostatic with continuous automatic adjustment
Reversal	Electro-Hydraulic	Electro-Hydraulic
Inching	With hydraulic pedal for controlled forward movement	With hydraulic pedal for controlled forward movement

TIRES

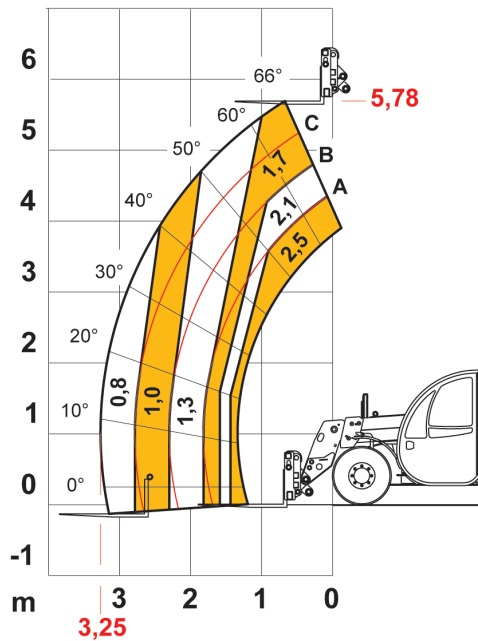
Vehicle model	APOLLO 25.6 R	APOLLO 25.6
Standard tires	12x16.5"	12x16.5"
Optional tires	12x18"	12x18"

DIMENSIONS

Vehicle model	APOLLO 25.6 R	APOLLO 25.6
A	270 mm (10,6 in)	270 mm (10,6 in)
B	985 mm (38,8 in)	985 mm (38,8 in)
C	2350 mm (92,5 in)	2350 mm (92,5 in)
D	765 mm (30,1 in)	765 mm (30,1 in)
F	3535 mm (139,2 in)	3535 mm (139,2 in)
G	4125 mm (162,4 in)	4125 mm (162,4 in)
H	1950 mm (76,8 in)	1950 mm (76,8 in)
I	1850 mm (72,8 in)	1850 mm (72,8 in)
L	1500 mm (59,1 in)	1500 mm (59,1 in)
M	1850 mm (72,8 in)	1850 mm (72,8 in)
P	1460 mm (57,5 in)	1460 mm (57,5 in)
Q	3555 mm (140 in)	3555 mm (140 in)
S	1433 mm (56,4 in)	1433 mm (56,4 in)
T	200 mm (7,9 in)	200 mm (7,9 in)



MAX 2,5 t



AXB1377



EN1459

25.6

