

DIECI



MINI AGRI

25.6



dieci.com

PERFORMANCE

Vehicle model	MINI AGRI 25.6
Maximum capacity	2500 kg (5512 lb)
Maximum lifting height	5.78 m (19.0 ft)
Maximum horizontal extension	3.25 m (10.7 ft)
Fork swivelling angle	129°
Pull-out force	5510 daN (12387 lbf)
Towing force	4400 daN (9892 lbf)
Unladen weight	4900 kg (10803 lb)
Maximum climb angle	40%
Max speed (referred to wheels with maximum permitted diameter)	30 km/h (18.6 mph)

BOOM

Vehicle model	MINI AGRI 25.6
Lifting	9,34 s
Getting off the basket	4,86 s
Extension	7,3 s
Retraction	4,06 s
Forward swivelling	4,22 s
Reverse swivelling	2,66 s

ENGINE

Vehicle model	MINI AGRI 25.6
Brand	Kubota
Nominal power	55.4 kW (74 HP)
@rpm	2600 rpm
Operation	4-stroke
Injection	Mechanical
Number and arrangement of cylinders	4, Vertical in line
Displacement	3331 cm ³ (203 in ³)
Emission standards	Stage IIIA/Tier 3
Cooling system	Liquid
Intake	Turbo compressor

DIFFERENTIAL AXLES

Vehicle model	MINI AGRI 25.6
Type of axles	2 steering, with 4 epicycloidal reduction gears
Type of steering	4 wheels / transversal / 2 wheels
Front axle	Rigid
Rear axle	Swinging
Service braking	Oil bath on front axle
Parking braking	Negative actuation with electrical control

HYDRAULIC SYSTEM

Vehicle model	MINI AGRI 25.6
Hydraulic pump type	Gear pump for power steering and movements
Hydraulic pump capacity	80 l/min (21.1 gal/min)
Max. operating pressure	23 MPa (3336 psi)
Distributor control	Proportional 4 in1 Joystick

FILLING

Vehicle model	MINI AGRI 25.6
Hydraulic system (total)	75 l (19,81 gal)
DIESEL TANK	75 l (19,81 gal)

TRANSMISSION

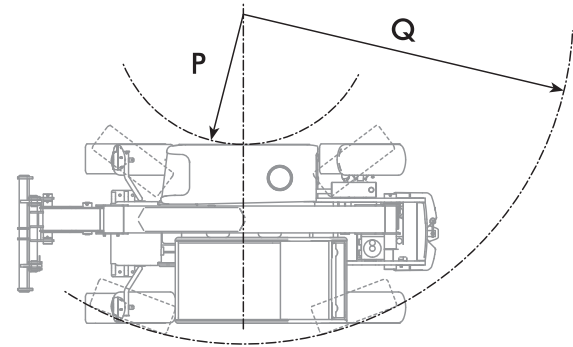
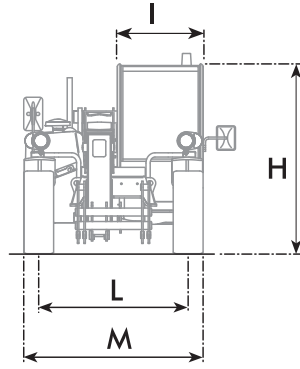
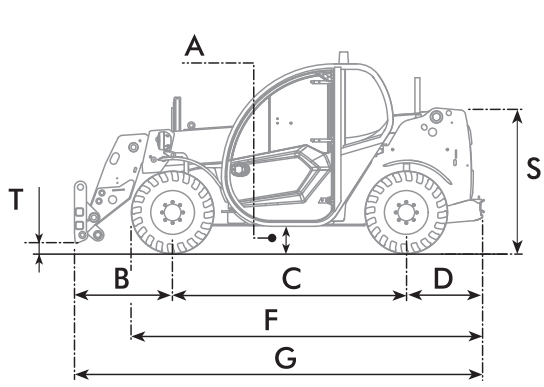
Vehicle model	MINI AGRI 25.6
Transmission type	Single speed Hydrostatic transmission with variable displacement pump
REVERSAL	Electro-Hydraulic
Inching	With hydraulic pedal for controlled forward movement

TYRES

Vehicle model	MINI AGRI 25.6
Standard tires	12x16.5"

DIMENSIONS

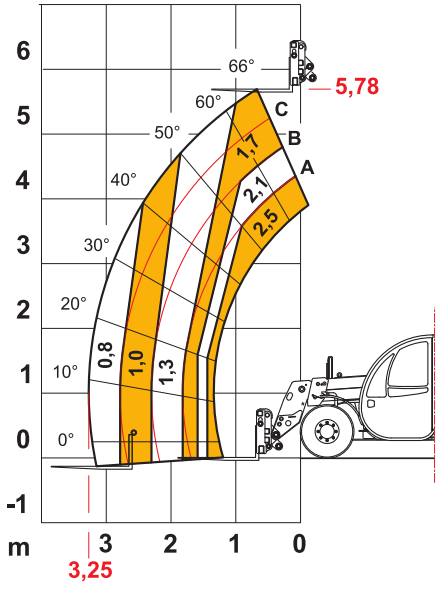
Vehicle model	MINI AGRI 25.6
A	235 mm (9.3 in)
B	985 mm (38.8 in)
C	2350 mm (92.5 in)
D	765 mm (30.1 in)
F	3535 mm (139.2 in)
G	4125 mm (162.4 in)
H	1950 mm (76.8 in)
L	1510 mm (59.4 in)
I	1850 mm (72.8 in)
M	1840 mm (72.4 in)
P	1865 mm (73.4 in)
Q	3925 mm (154.5 in)
S	1433 mm (56.4 in)
T	70 mm (2.8 in)



MAX 2,5 t

500 mm

AXB1377



EN1459

25.6