

DIECI



AGRI FARMER

28.7 | 28.9 | 30.7 | 30.9



dieci.com

PERFORMANCE

Vehicle model	AGRI FARMER 28.7	AGRI FARMER 30.7	AGRI FARMER 28.9	AGRI FARMER 30.9
Maximum capacity	2800 kg (6173 lb)	3000 kg (6614 lb)	2800 kg (6173 lb)	3000 kg (6614 lb)
Maximum lifting height	6,35 m (20,8 ft)	6,35 m (20,8 ft)	8,70 m (28,5 ft)	8,70 m (28,5 ft)
Maximum horizontal extension	3,65 m (12 ft)	3,65 m (12 ft)	5,70 m (18,7 ft)	5,70 m (18,7 ft)
Fork swiveling angle	146°	146°	146°	146°
Pull-out force	5700 daN (12814 lbf)	5700 daN (12814 lbf)	5700 daN (12814 lbf)	5700 daN (12814 lbf)
Towing force	5500 daN (12364 lbf)	5500 daN (12364 lbf)	5500 daN (12364 lbf)	5500 daN (12364 lbf)
Maximum climb angle	40%	40%	40%	40%
Unladen weight	6100 kg (13448 lb)	6100 kg (13448 lb)	6250 kg (13779 lb)	6250 kg (13779 lb)
Max speed (referred to wheels with maximum permitted diameter)	35 km/h (21,7 mph)	35 km/h (21,7 mph)	35 km/h (21,7 mph)	35 km/h (21,7 mph)

BOOM

Vehicle model	AGRI FARMER 28.7	AGRI FARMER 30.7	AGRI FARMER 28.9	AGRI FARMER 30.9
Lifting	7,4 s	7,4 s	9,0 s	9,0 s
Descent	3,9 s	3,9 s	4,7 s	4,7 s
Extension	5,7 s	5,7 s	5,2 s	5,2 s
Retraction	3,2 s	3,2 s	2,9 s	2,9 s
Forward swiveling	3,2 s	3,2 s	3,2 s	3,2 s
Reverse swiveling	2,1 s	2,1 s	1,7 s	1,7 s

ENGINE

Vehicle model	AGRI FARMER 28.7	AGRI FARMER 30.7	AGRI FARMER 28.9	AGRI FARMER 30.9
Brand	Kubota	Kubota	Kubota	Kubota
Nominal power	73,4 kW (98 HP)	73,4 kW (98 HP)	73,4 kW (98 HP)	73,4 kW (98 HP)
@rpm	2600 rpm	2600 rpm	2600 rpm	2600 rpm
Operation	4-stroke	4-stroke	4-stroke	4-stroke
Injection	Mechanical	Mechanical	Mechanical	Mechanical
Number and arrangement of cylinders	4, Vertical in line	4, Vertical in line	4, Vertical in line	4, Vertical in line
Displacement	3769 cm ³ (230 in ³)	3769 cm ³ (230 in ³)	3769 cm ³ (230 in ³)	3769 cm ³ (230 in ³)
Consumption	231 g/kWh (380 lb/Hp h)	231 g/kWh (380 lb/Hp h)	231 g/kWh (380 lb/Hp h)	231 g/kWh (380 lb/Hp h)
@rpm	2600 rpm	2600 rpm	2600 rpm	2600 rpm
Emission standard	Stage IIIA/Tier 3	Stage IIIA/Tier 3	Stage IIIA/Tier 3	Stage IIIA/Tier 3
Cooling system	Liquid	Liquid	Liquid	Liquid
Intake	Turbo compressor	Turbo compressor	Turbo compressor	Turbo compressor

DIFFERENTIAL AXLES

Vehicle model	AGRI FARMER 28.7	AGRI FARMER 30.7	AGRI FARMER 28.9	AGRI FARMER 30.9
Type of axles	2 steering, with 4 planetary reduction gears	2 steering, with 4 planetary reduction gears	2 steering, with 4 planetary reduction gears	2 steering, with 4 planetary reduction gears
Type of steering	4 wheels / transversal / 2 wheels	4 wheels / transversal / 2 wheels	4 wheels / transversal / 2 wheels	4 wheels / transversal / 2 wheels
Front axle	Rigid	Rigid	Rigid	Rigid
Rear axle	Swinging	Swinging	Swinging	Swinging
Service braking	Oil bath with servo brake on front axle	Oil bath with servo brake on front axle	Oil bath with servo brake on front axle	Oil bath with servo brake on front axle
Parking braking	Negative actuation with electrical control	Negative actuation with electrical control	Negative actuation with electrical control	Negative actuation with electrical control

HYDRAULIC SYSTEM

Vehicle model	AGRI FARMER 28.7	AGRI FARMER 30.7	AGRI FARMER 28.9	AGRI FARMER 30.9
Hydraulic pump type	Gear pump for power steering and movements	Gear pump for power steering and movements	Gear pump for power steering and movements	Gear pump for power steering and movements
Hydraulic pump capacity	115 L/min (30,4 gal/min)	115 L/min (30,4 gal/min)	115 L/min (30,4 gal/min)	115 L/min (30,4 gal/min)
Max. operating pressure	24,5 MPa (3553 psi)	24,5 MPa (3553 psi)	24,5 MPa (3553 psi)	24,5 MPa (3553 psi)
Distributor control	4in1 proportional Joystick	4in1 proportional Joystick	4in1 proportional Joystick	4in1 proportional Joystick

REFUELING

Vehicle model	AGRI FARMER 28.7	AGRI FARMER 30.7	AGRI FARMER 28.9	AGRI FARMER 30.9
Hydraulic system (total)	140,0 L (36,98 gal)	140,0 L (36,98 gal)	140,0 L (36,98 gal)	140,0 L (36,98 gal)
Fuel tank	100,0 L (26,42 gal)	100,0 L (26,42 gal)	100,0 L (26,42 gal)	100,0 L (26,42 gal)

TRANSMISSION

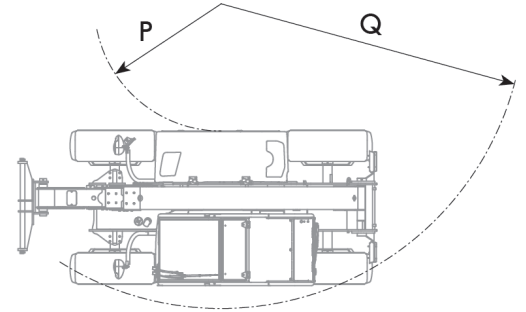
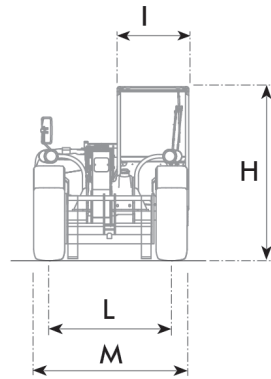
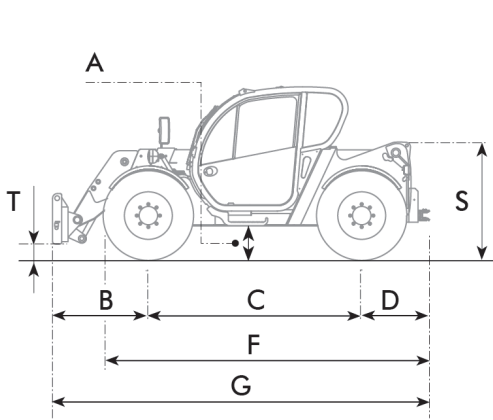
Vehicle model	AGRI FARMER 28.7	AGRI FARMER 30.7	AGRI FARMER 28.9	AGRI FARMER 30.9
Transmission type	Hydrostatic with variable flow pump	Hydrostatic with variable flow pump	Hydrostatic with variable flow pump	Hydrostatic with variable flow pump
Hydraulic motor	Hydrostatic with continuous automatic adjustment	Hydrostatic with continuous automatic adjustment	Hydrostatic with continuous automatic adjustment	Hydrostatic with continuous automatic adjustment
Reversal	Electro-Hydraulic	Electro-Hydraulic	Electro-Hydraulic	Electro-Hydraulic
Inching	With hydraulic pedal for controlled forward movement	With hydraulic pedal for controlled forward movement	With hydraulic pedal for controlled forward movement	With hydraulic pedal for controlled forward movement
Transmission gearbox	Servocontrolled 2-speed	Servocontrolled 2-speed	Servocontrolled 2-speed	Servocontrolled 2-speed

TIRES

Vehicle model	AGRI FARMER 28.7	AGRI FARMER 30.7	AGRI FARMER 28.9	AGRI FARMER 30.9
Standard tires	12.5x18"	400/70x20"	12.5x18"	400/70x20"
Optional tires	400/70x20"; 400/70x24"	400/70x24"	400/70x20"; 400/70x24"	400/70x24"

DIMENSIONS

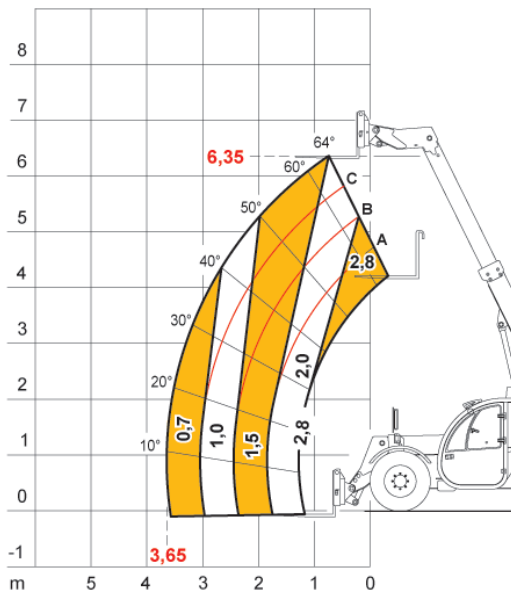
Vehicle model	AGRI FARMER 28.7	AGRI FARMER 30.7	AGRI FARMER 28.9	AGRI FARMER 30.9
A	400 mm (15,7 in)	400 mm (15,7 in)	400 mm (15,7 in)	400 mm (15,7 in)
B	1315 mm (51,8 in)	1315 mm (51,8 in)	1232 mm (48,5 in)	1232 mm (48,5 in)
C	2800 mm (110,2 in)	2800 mm (110,2 in)	2800 mm (110,2 in)	2800 mm (110,2 in)
D	650 mm (25,6 in)	650 mm (25,6 in)	743 mm (29,3 in)	743 mm (29,3 in)
F	3990 mm (157,1 in)	3990 mm (157,1 in)	4087 mm (160,9 in)	4087 mm (160,9 in)
G	4765 mm (187,6 in)	4765 mm (187,6 in)	4775 mm (188 in)	4775 mm (188 in)
H	2040 mm (80,3 in)	2220 mm (87,4 in)	2040 mm (80,3 in)	2220 mm (87,4 in)
I	940 mm (37 in)	940 mm (37 in)	940 mm (37 in)	940 mm (37 in)
L	1600 mm (63 in)	1600 mm (63 in)	1600 mm (63 in)	1600 mm (63 in)
M	2000 mm (78,7 in)	2000 mm (78,7 in)	2000 mm (78,7 in)	2000 mm (78,7 in)
P	1670 mm (65,7 in)	1670 mm (65,7 in)	1670 mm (65,7 in)	1670 mm (65,7 in)
Q	4000 mm (157,5 in)	4000 mm (157,5 in)	4000 mm (157,5 in)	4000 mm (157,5 in)
S	1544 mm (60,8 in)	1544 mm (60,8 in)	1540 mm (60,6 in)	1540 mm (60,6 in)
T	20 mm (0,8 in)	20 mm (0,8 in)	93 mm (3,7 in)	93 mm (3,7 in)



MAX 2,8 t



AXB1340



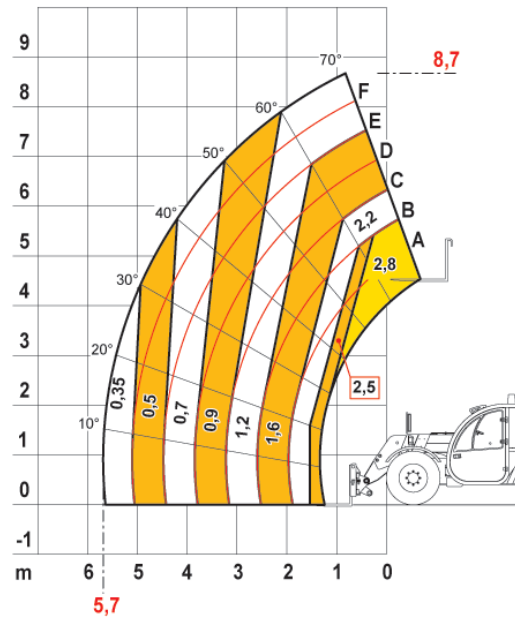
EN1459

28.7

MAX 2,8 t



AXB1399



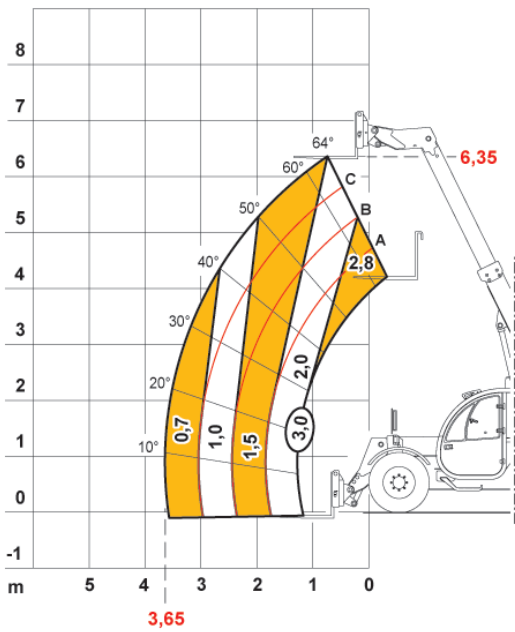
EN1459

28.9

MAX 3,0 t



AXB1341



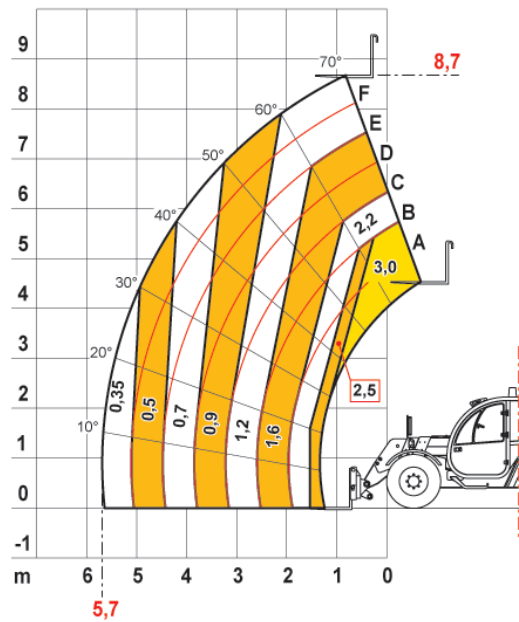
EN1459

30.7

MAX 3,0 t



AXB1400



EN1459

30.9