

DIECI



SAMSON

75.10



dieci.com

PERFORMANCE

Vehicle model	SAMSON 75.10
Maximum capacity	7500 kg (16535 lb)
Maximum lifting height	9,65 m (31,7 ft)
Maximum horizontal extension	5,40 m (17,7 ft)
Fork swiveling angle	134°
Pull-out force	5700 daN (12814 lbf)
Towing force	7300 daN (16411 lbf)
Maximum climb angle	40%
Unladen weight	12100 kg (26676 lb)
Max speed (referred to wheels with maximum permitted diameter)	30 km/h (18,6 mph)

BOOM

Vehicle model	SAMSON 75.10
Lifting	15,1 s
Descent	9,9 s
Extension	10,4 s
Retraction	4,1 s
Forward swiveling	4,6 s
Reverse swiveling	2,0 s

ENGINE

Vehicle model	SAMSON 75.10
Brand	FPT
Nominal power	93 kW (125 HP)
@rpm	2200 rpm
Operation	4-stroke
Injection	Mechanical direct
Number and arrangement of cylinders	4, Vertical in line
Displacement	4485 cm ³ (274 in ³)
Consumption	230 g/kWh (378,35 lb/Hp h)
@rpm	2200 rpm
Emission standard	Stage IIIA/Tier 3
Cooling system	Liquid
Intake	Turbo compressor after-cooler

DIFFERENTIAL AXLES

Vehicle model	SAMSON 75.10
Type of axles	2 steering, with 4 planetary reduction gears
Type of steering	4 wheels / transversal / 2 wheels
Front axle	Rigid (at Leveling request)
Rear axle	Swinging
Service braking	Oil bath with servo brake on front and rear axle with double hydraulic system
Parking braking	Negative actuation with electrical control

HYDRAULIC SYSTEM

Vehicle model	SAMSON 75.10
Hydraulic pump type	Gear pump for power steering and movements
Hydraulic pump capacity	130 L/min (34,3 gal/min)
Max. operating pressure	26,0 MPa (3771 psi)
Distributor control	4in1 proportional Joystick

REFUELING

Vehicle model	SAMSON 75.10
Hydraulic system (total)	160,0 L (42,27 gal)
Fuel tank	105,0 L (27,74 gal)

TRANSMISSION

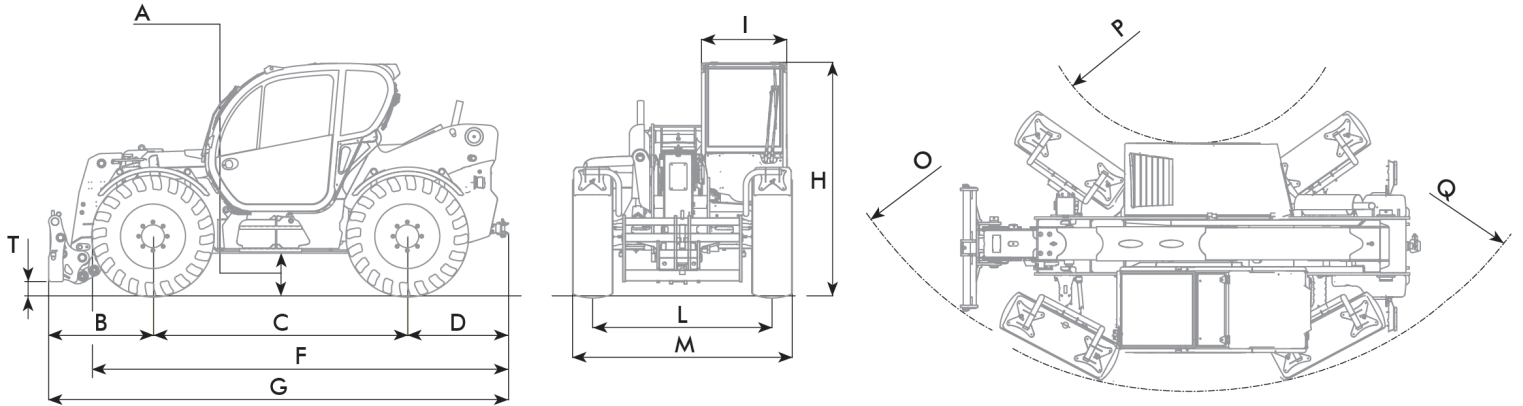
Vehicle model	SAMSON 75.10
Transmission type	Hydrostatic with variable flow pump
Hydraulic motor	Hydrostatic with continuous automatic adjustment
Reversal	Electrohydraulic
Inching	With inching pedal for controlled forward movement
Transmission gearbox	Servocontrolled 2-speed

TIRES

Vehicle model	SAMSON 75.10
Standard tires	18x22.5"

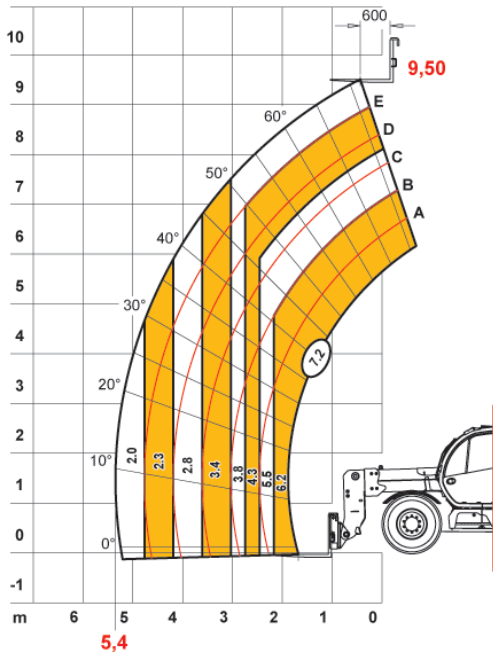
DIMENSIONS

Vehicle model	SAMSON 75.10
A	440 mm (17,3 in)
B	1480 mm (58,3 in)
C	2950 mm (116,1 in)
D	1330 mm (52,4 in)
F	4820 mm (189,8 in)
G	5910 mm (232,7 in)
H	2490 mm (98 in)
I	940 mm (37 in)
L	1920 mm (75,6 in)
M	2380 mm (93,7 in)
O	4730 mm (186,2 in)
P	1700 mm (66,9 in)
Q	4400 mm (173,2 in)
T	100 mm (3,9 in)



MAX 7,2 t

600 mm



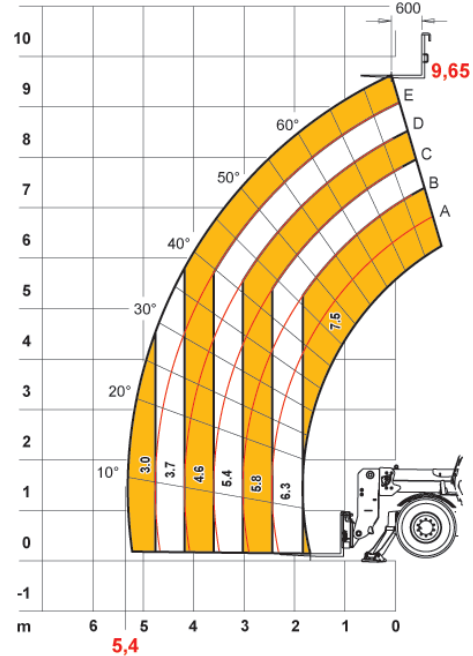
DOC10000068



75.10

MAX 7,5 t

600 mm



DOC10000069



75.10



Dieci Srl - Via E. Majorana, 2-4 - 42027 - Montecchio Emilia (RE) ITALY

Tel. +39 0522 869611 - Fax +39 0522 869798 - E-mail: info@dieci.com - www.dieci.com

DOCCT0000028-EN-03