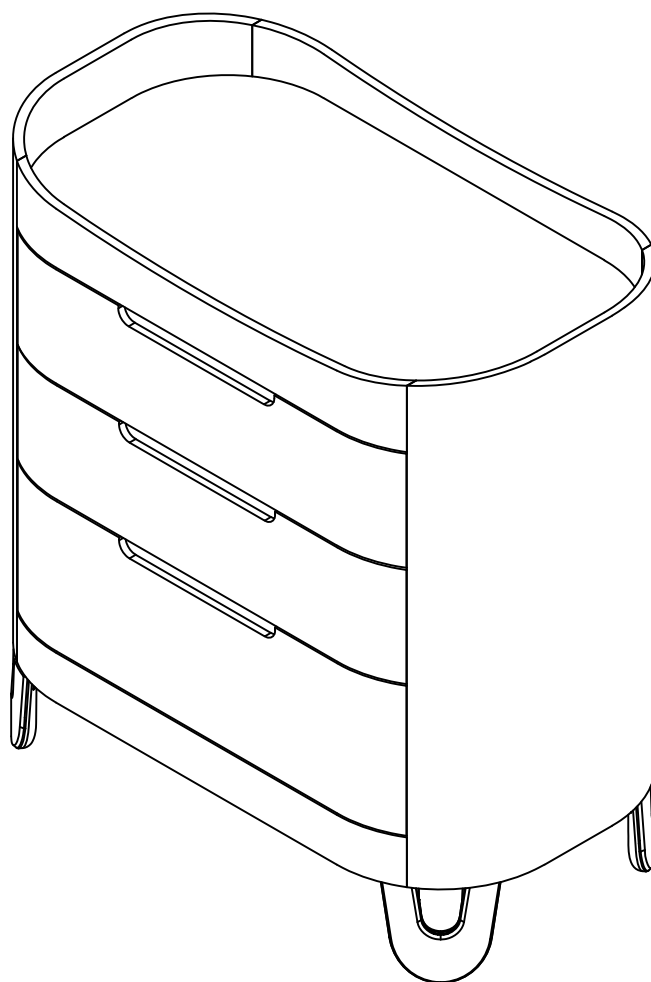
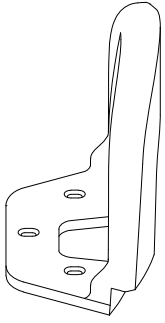


Gaia Dresser / Changer



Assembly Instructions

Hardware list



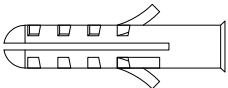
A x 4
Foot



B x 12
Bolt



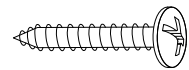
C x 1
Allen key



D x 1
**Hollow-wall
anchor bolt**



E x 1
Washer

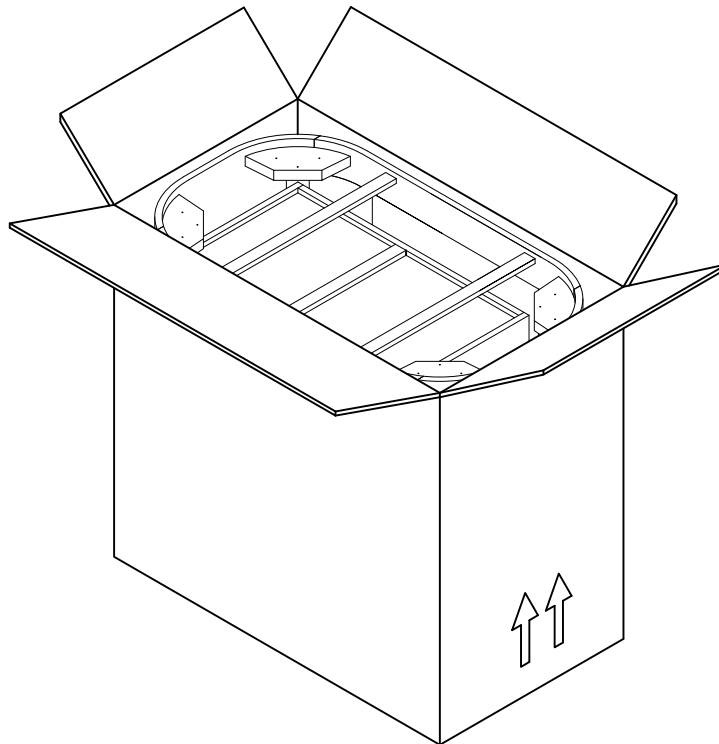


F x 1
Wood Screw

Assembly




Step 1

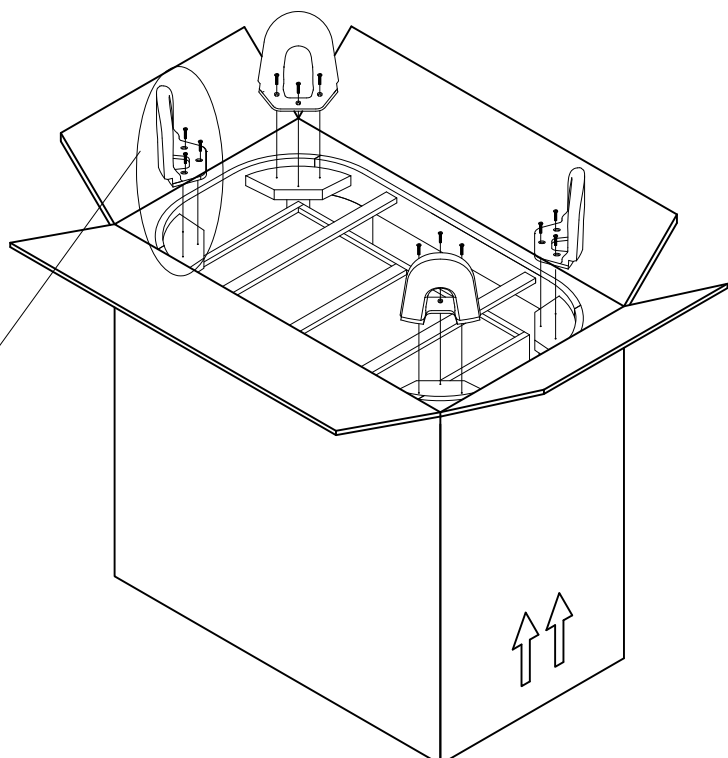
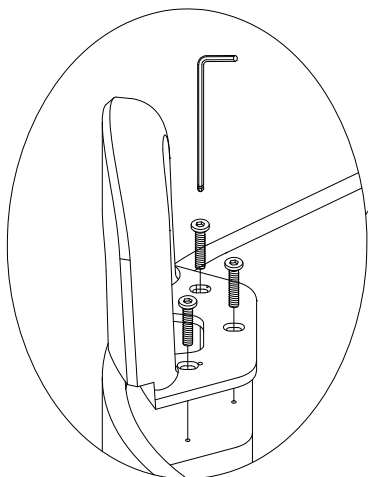
Place the box of Dresser / Changer upright, and open the box as shown in the picture.



Step 2

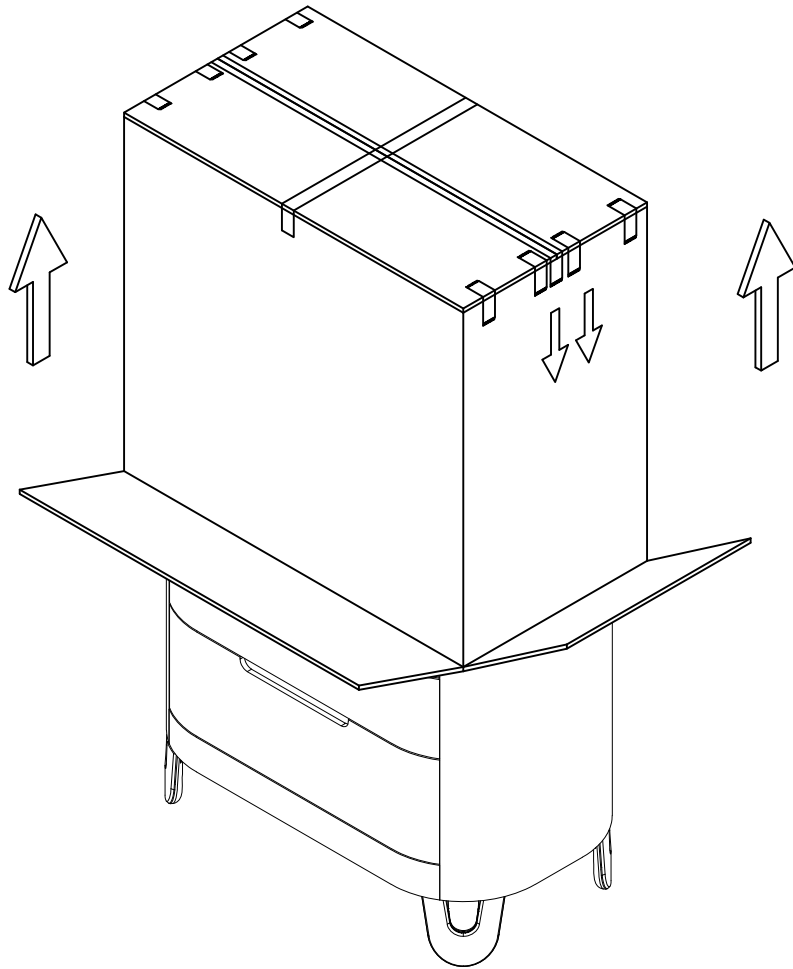
Using bolt B X12pcs, assembly the Feet by Allen Key C.

| | | |
|---|---|-------|
| A |  | 4pcs |
| B |  | 12pcs |
| C |  | |

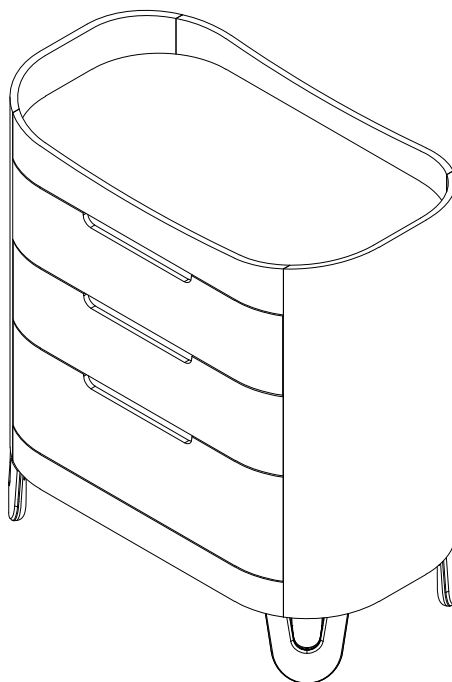


Step 3

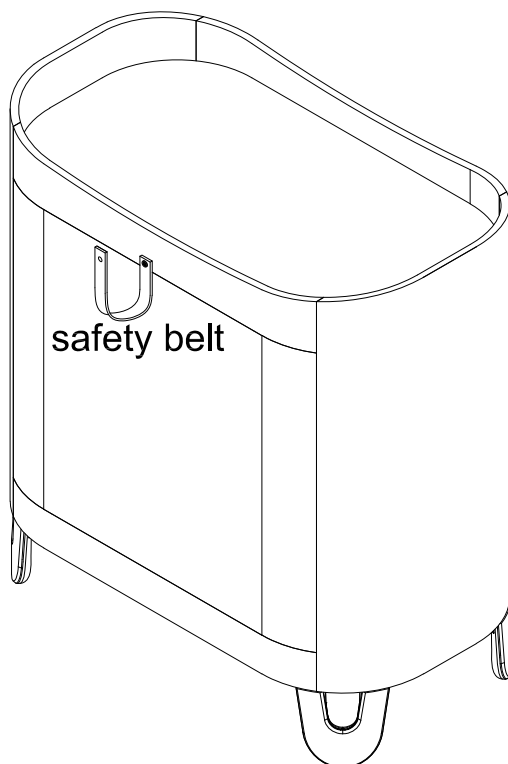
Gently reverse the assembled Dresser / Changer and draw the carton out.



The Dresser / Changer assembled.



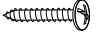


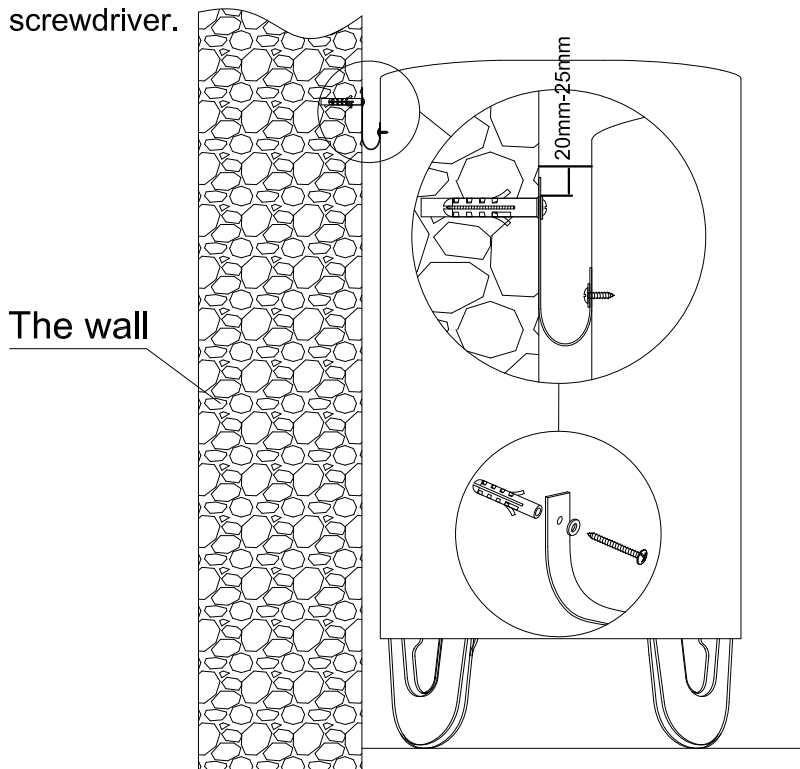
Note: The safety belt is behind the Dresser / Changer.



Step 4

In the corresponding location of the Dresser / Changer, drill holes on the wall with electric drill. The position of the hole is about 20-25mm down from the middle upper part of the Dresser / Changer, and then the Hollow-wall anchor bolt installed into the wall by hammer. Using washer E and wood screw F into the Hollow-wall anchor bolt by screwdriver.

| | | |
|---|---|-----|
| D |  | 1pc |
| E |  | 1pc |
| F |  | 1pc |



IMPORTANT- RETAIN FOR FUTURE REFERENCE: READ CAREFULLY BEFORE USE OF PRODUCT.

Please remove all packaging materials before use.

WARNINGS

- This instruction guide is important. Please read carefully and keep for future reference.
- If you use this Dresser / Changer with a changing unit:
 - DO NOT LEAVE THE CHILD UNATTENDED.
 - Weight of the child for which the product is intended up to a maximum weight of 15kgs / 331bs.
- Be aware of the risk of open fires and other sources of strong heat, such as electric bar fires, gas fires, etc. in the near vicinity of the changing unit.
- Important: The safety bracket kit is not to be a substitute for proper parental supervision which is the only proper deterrent to prevent improper use of this unit. The manufacturer assumes no liability for improper installation or excessive loads placed on the safety straps, bracket or mounting screws. This kit will not insure against tipping.
- WARNING: Do not use this product if broken or damaged.
- Important: It is dangerous to use this product on an elevated surface.
- Regularly check that all assembly fittings are always tightened properly and retighten as necessary.
- WARNING: Serious or fatal crushing injuries can occur from furniture tip-over. To help prevent tip-over:
 - Place heaviest items in the lowest drawers.
 - Do not set TVs or other heavy objects on the top of this product.
 - Never allow children to climb or hang on drawers, doors, or shelves.
 - Never open more than one drawer at a time.

Care & Maintenance

- When cleaning your Dresser / Changer, use a non-toxic, non-abrasive cleaner. Mix a solution of water with a small amount of a mild detergent. Apply to bed surface with a damp cloth, wipe dry. Excess water must be wiped off. NO BLEACH.
- It is important that the humidity levels in the room be controlled from extremes of too much humidity or too little. The Dresser / Changer should not be placed directly next to air-conditioning outlets, fire places, radiators, space heaters, humidifiers or dehumidifiers. Exposure to extreme variations of temperature and humidity can damage wood products.
- Keep the Dresser / Changer out of direct sunlight. UV rays may fade colors and in some cases darken them. It can cause crazing or hair line cracks in the finish. White finishes will darken naturally over time and exposure to direct sunlight will hasten this natural process along with some wood darkening; this is not considered to be a quality defect.
- If you need to put your Dresser / Changer in storage for any period of time do not store it in a damp or hot environment. Allow air flow around the furniture and do not stack anything on it.