

HERA NURSING CHAIR

Assembly instructions

IMPORTANT: Please read carefully and retain for future reference

TOOLS

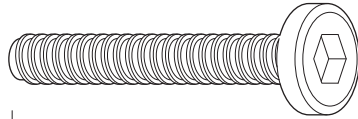


Allen key

Supplied

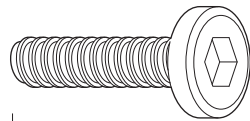
FITTINGS

B x12



50 mm

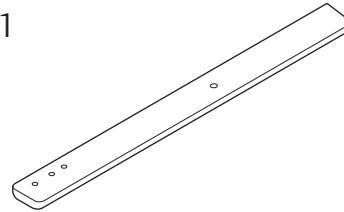
C x16



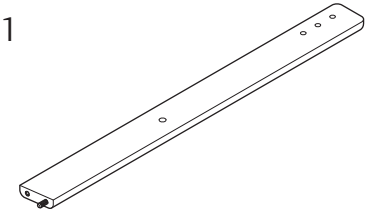
30 mm

COMPONENTS

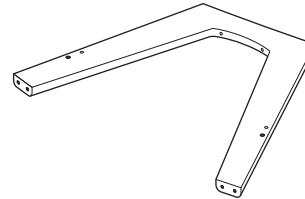
1 x1



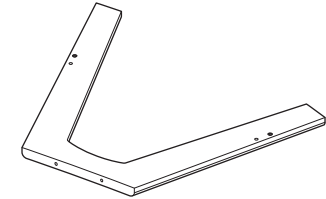
2 x1



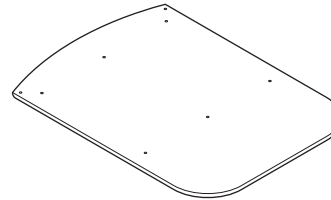
3 x1



4 x1



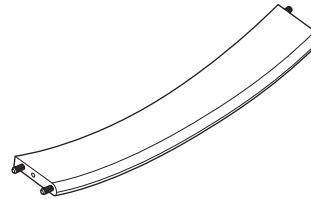
5 x1



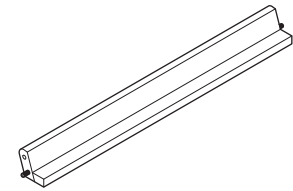
6 x8



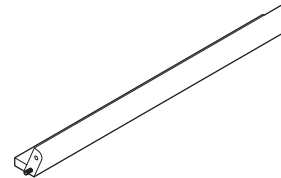
7 x1



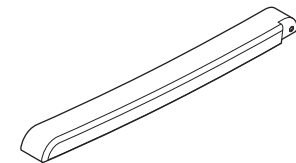
8 x1



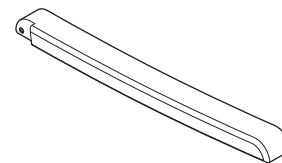
9 x1



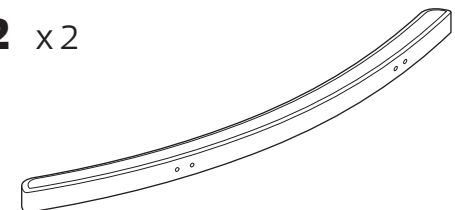
10 x1



11 x1

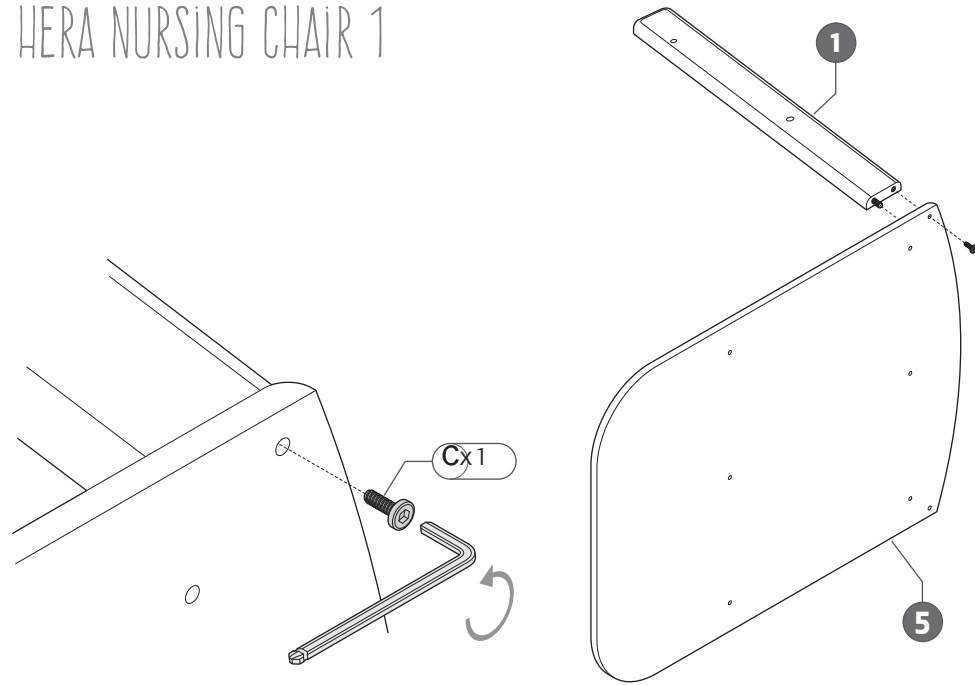


12 x2

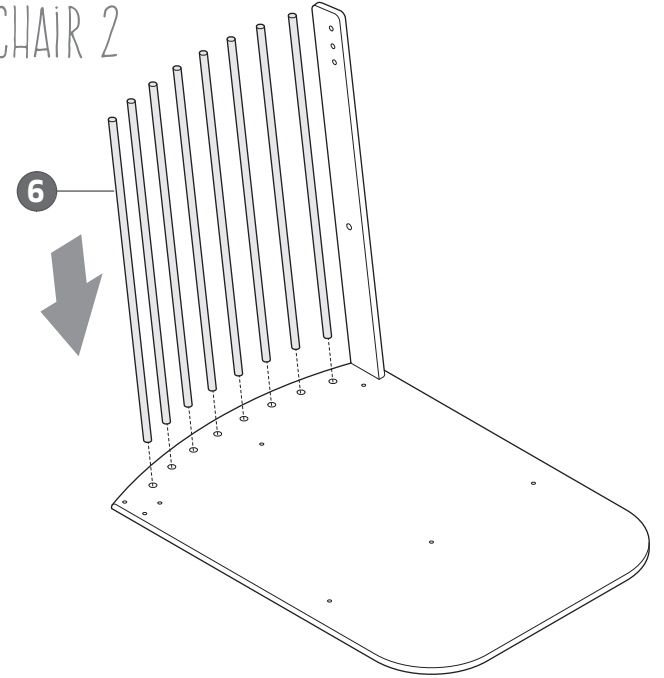


IMPORTANT: Keep all fittings and components not used in a safe place away from young children for future use.

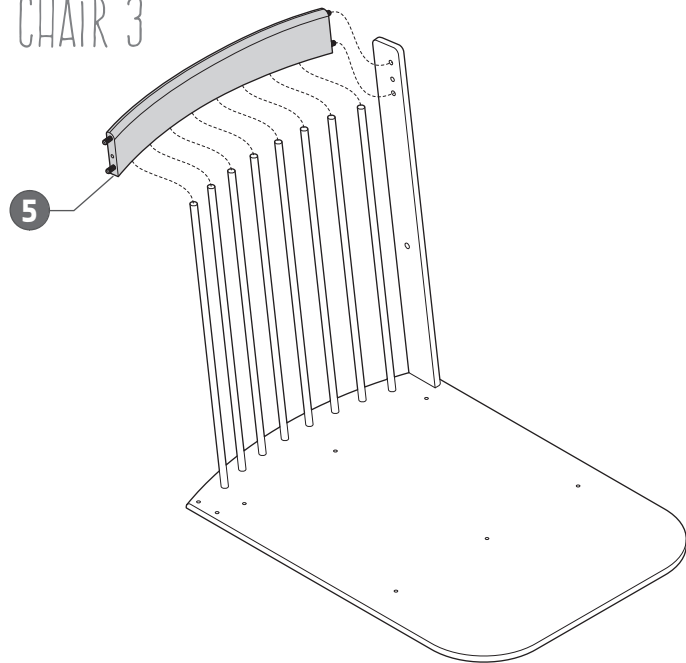
HERA NURSING CHAIR 1



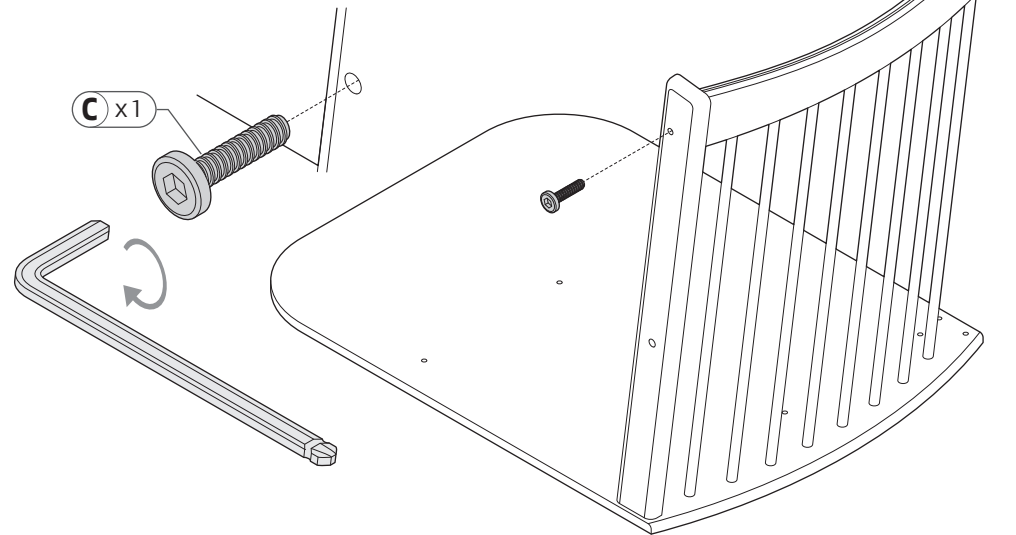
HERA NURSING CHAIR 2



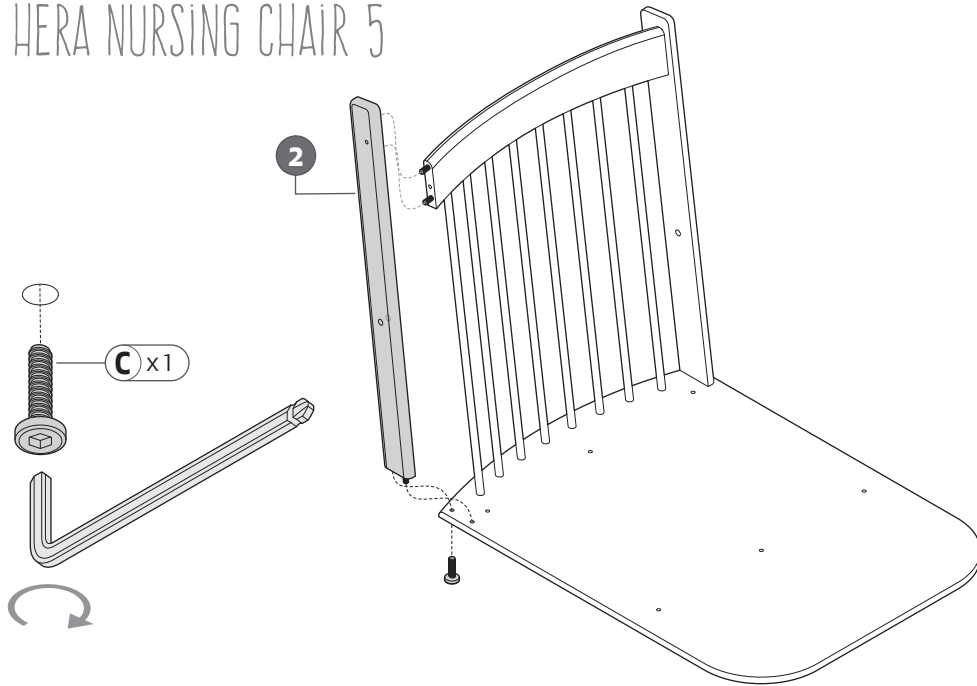
HERA NURSING CHAIR 3



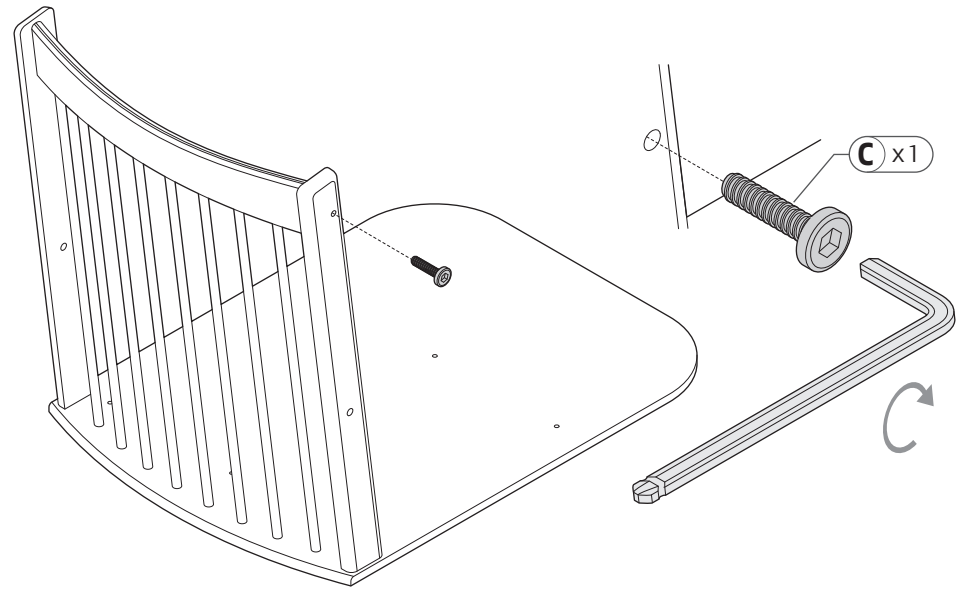
HERA NURSING CHAIR 4



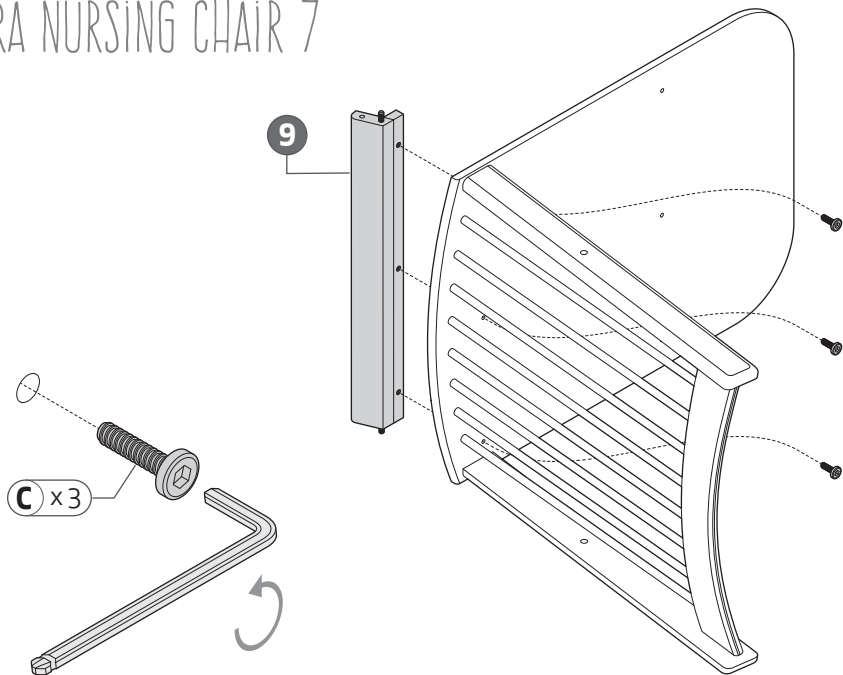
HERA NURSING CHAIR 5



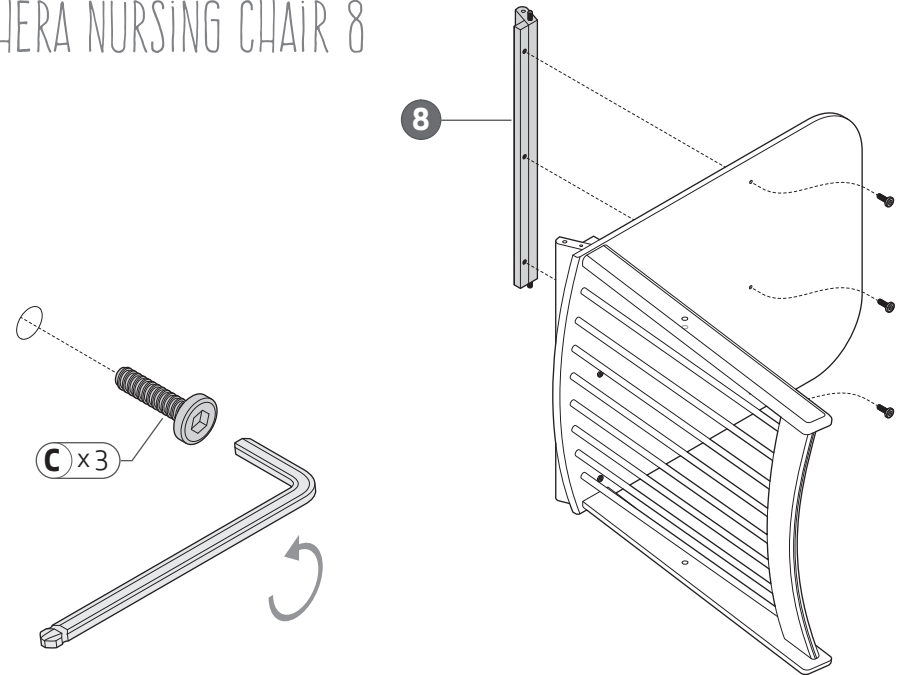
HERA NURSING CHAIR 6



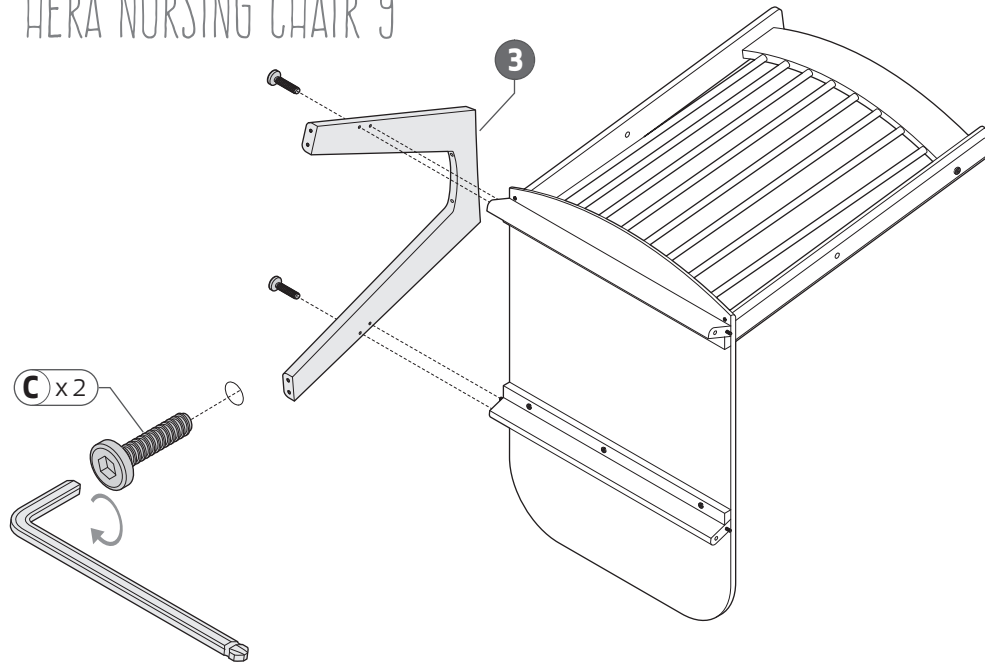
HERA NURSING CHAIR 7



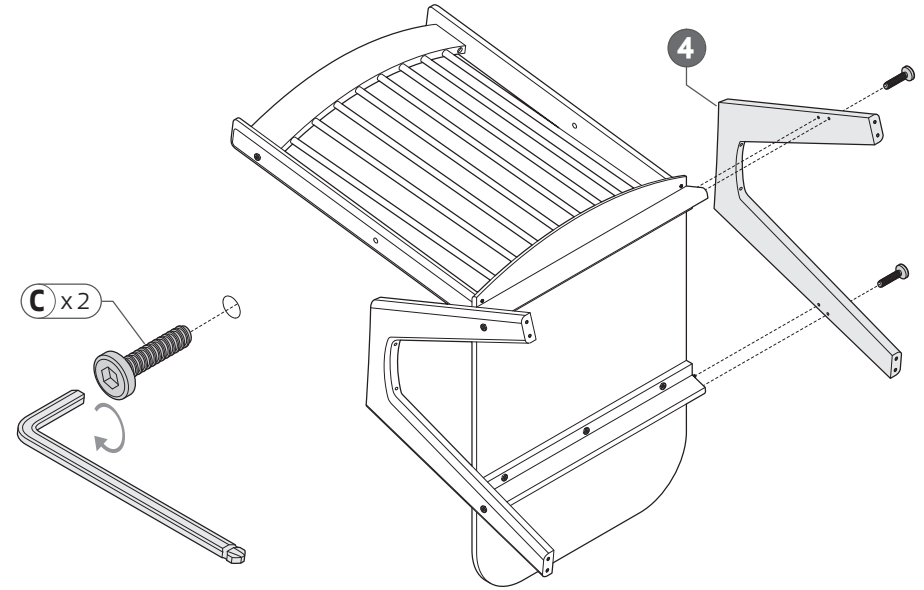
HERA NURSING CHAIR 8



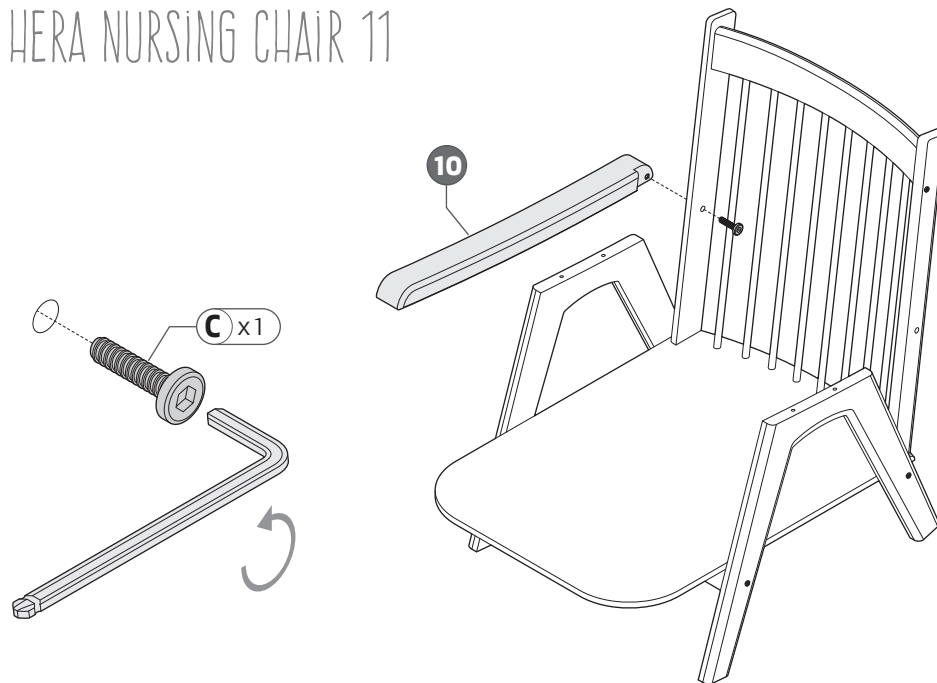
HERA NURSING CHAIR 9



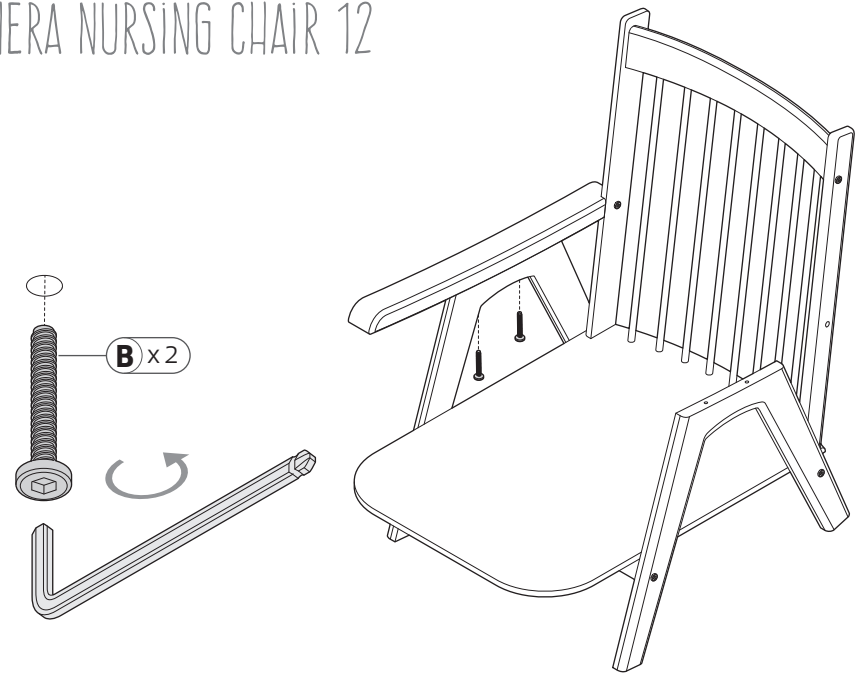
HERA NURSING CHAIR 10



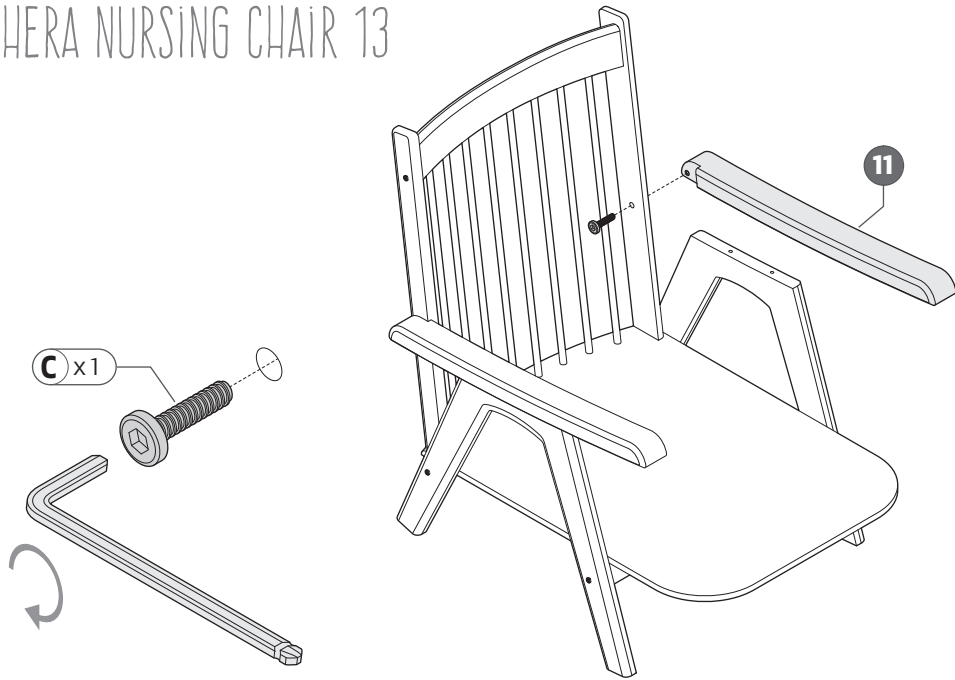
HERA NURSING CHAIR 11



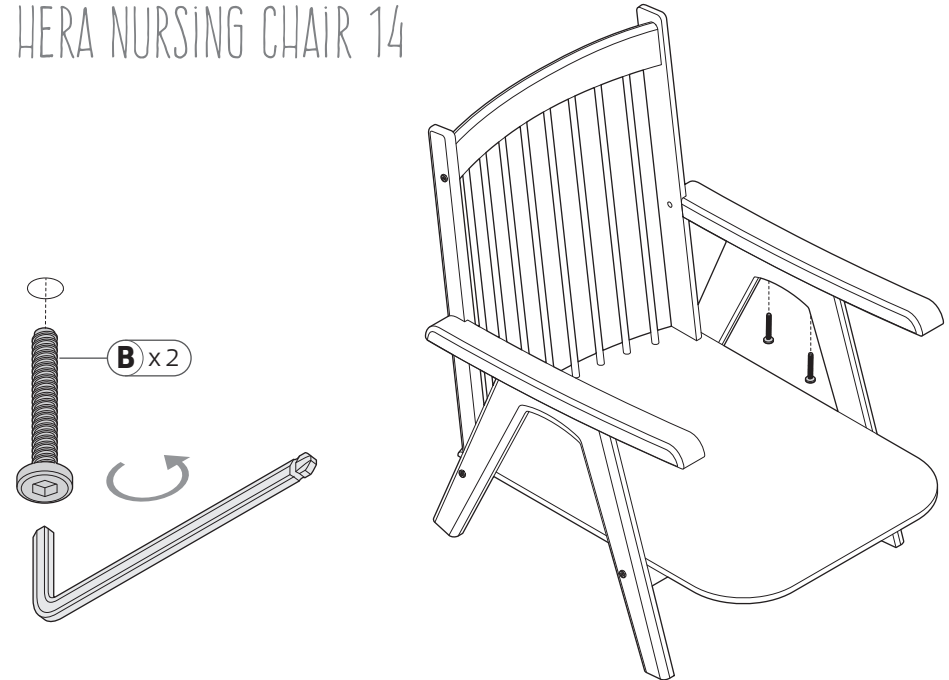
HERA NURSING CHAIR 12



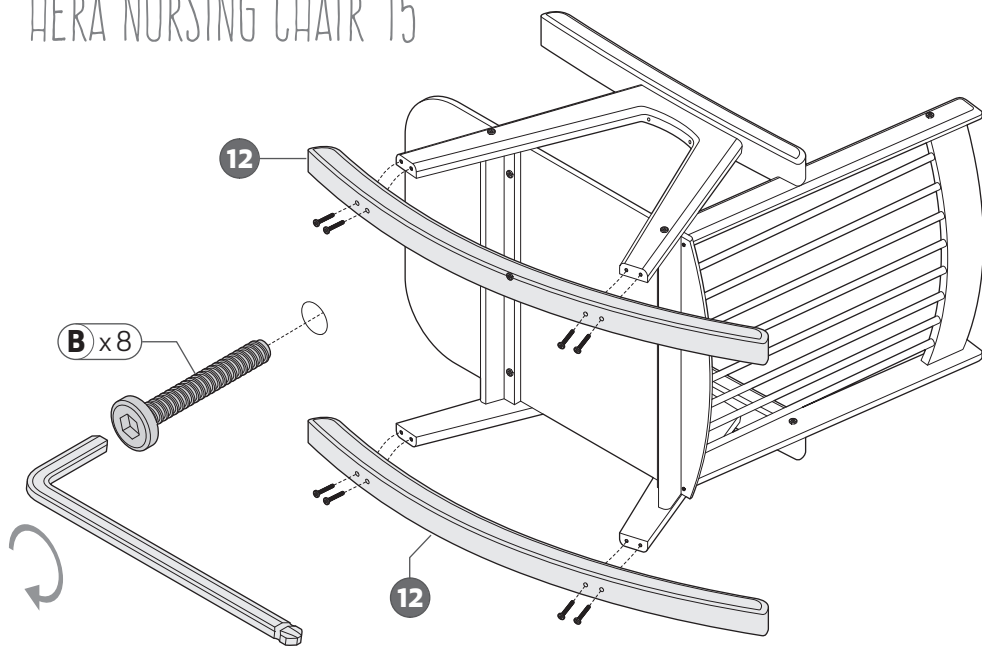
HERA NURSING CHAIR 13



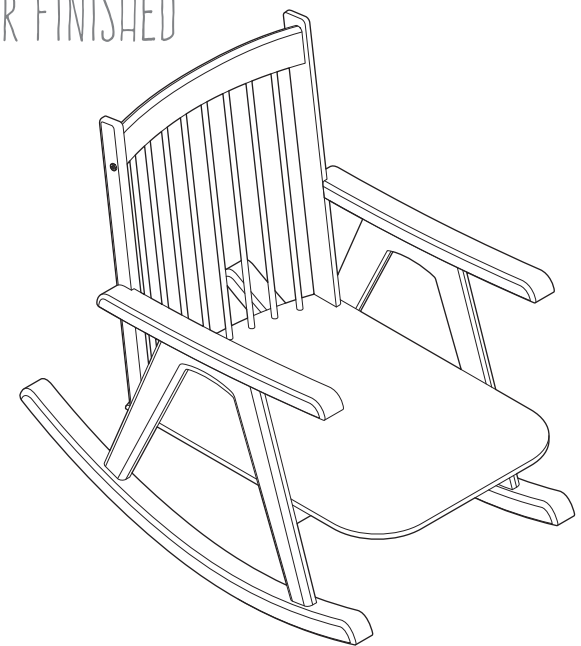
HERA NURSING CHAIR 14



HERA NURSING CHAIR 15



HERA NURSING CHAIR FINISHED



Hera nursing chair safety information

IMPORTANT: READ THESE INSTRUCTIONS CAREFULLY AND RETAIN FOR FUTURE REFERENCE

INSTRUCTIONS FOR SAFE USE

- **DO NOT LEAVE CHILD UNATTENDED.** The safety of your child is your responsibility.
- Check regularly that all of the fittings and screws are fully tightened and are not damaged. Loose screws or fittings can pinch parts of the body and/or clothing resulting in the risk of strangulation.
- Do not use replacement parts that are not recommended or supplied by the manufacturer.
- Be aware of the risk of open fires and other sources of heat, such as electric fires, gas fires etc. in the near vicinity of the nursing chair.
- Always leave the nursing chair clean and dry after use. Wipe away any spillages straight away.
- Ensure the nursing chair is on a stable level surface before use.
- Never allow children to climb on the nursing chair.
- Never use the nursing chair if any part is broken or missing.
- When moving the nursing chair, never drag it. Always lift the nursing chair with the help of another person.

Manufacturer Warranty

All Gaia Baby furniture carries a full 2 year manufacturer's warranty.

The warranty does not cover wear & tear or damage caused by the product not being used in accordance with correct care instructions.

The warranty period is effective from date of purchase. The warranty applies to product presented with an original receipt or proof of purchase. The warranty applies to the territory in which the product was purchased.

During the warranty period, Gaia Baby will repair or replace any defective part.

In the event of a product being replaced in entirety, the guarantee on the replacement will expire two years from the original purchase date.

This is a natural wood product. Some variation in surface finish and colour may occur. While every attempt is made to colour match replacement parts, colour matching cannot be guaranteed.

This guarantee excludes accidental damage, misuse and or damage caused by improper transport or handling.

This warranty is void if the original product has been altered in design or colour in anyway and/ or if not presented with an original receipt as proof of purchase.



Gaia Baby Limited

#2, Kinsealy Business Park,
Malahide
Dublin K36 DK81
Ireland

Web:

www.gaia-baby.com

Email:

customercare@gaia-baby.com