

# HERA JUNIOR BED EXTENSION

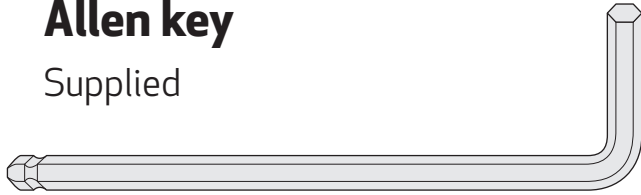
Assembly instructions

**IMPORTANT: Please read carefully and retain for future reference**

# TOOLS

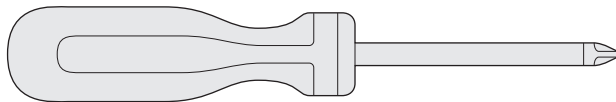
## Allen key

Supplied



## Cross head screwdriver

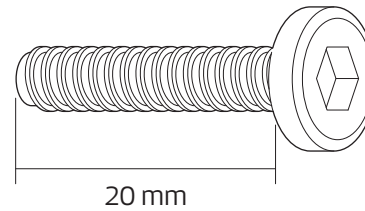
Not supplied



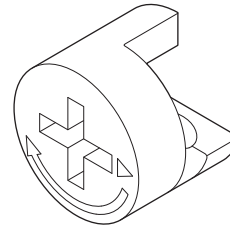
**IMPORTANT:** Keep all fittings and components not used in a safe place away from young children for future use.

# FITTINGS

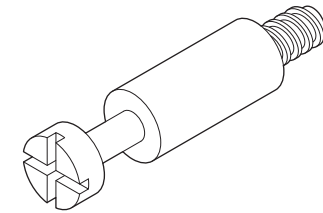
**E** x4



**H** x2



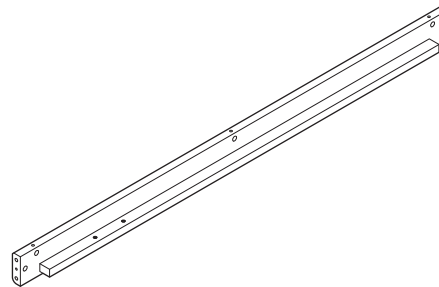
**G** x2



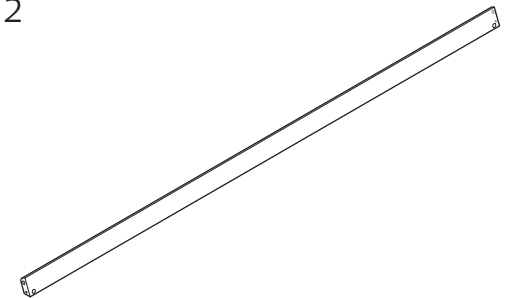
**IMPORTANT:** Please re-use the fittings from your current first bed when assembling the bed extensions.

# COMPONENTS

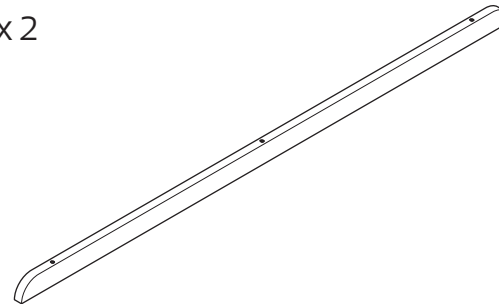
**11** x2



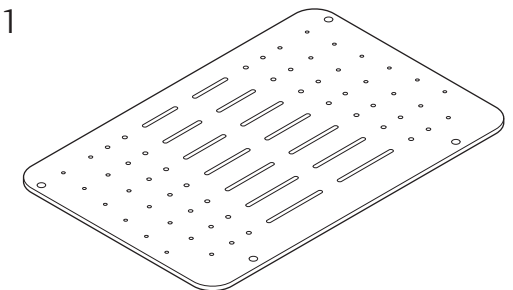
**12** x2



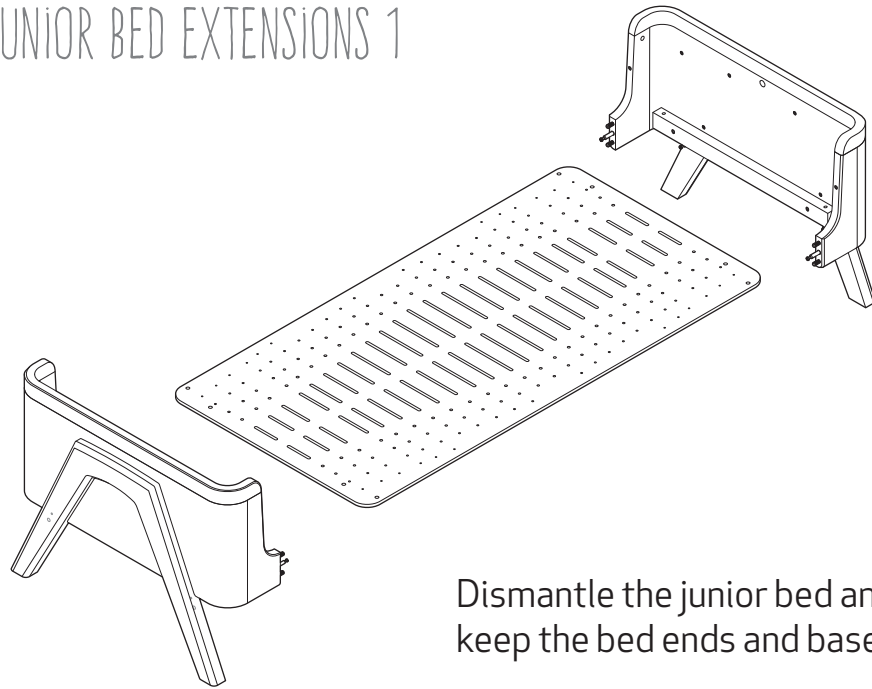
**13** x2



**14** x1

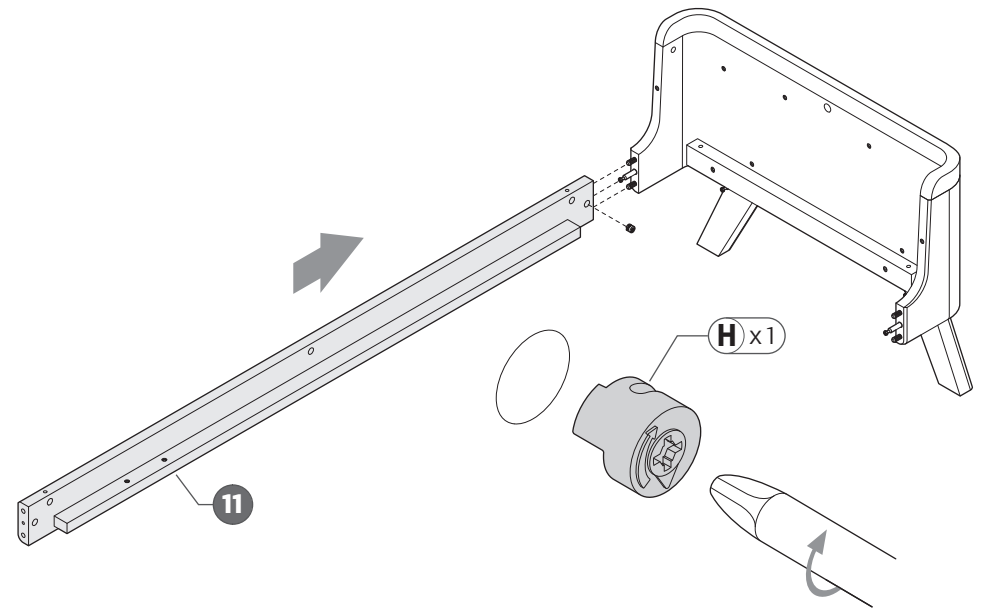


## JUNIOR BED EXTENSIONS 1

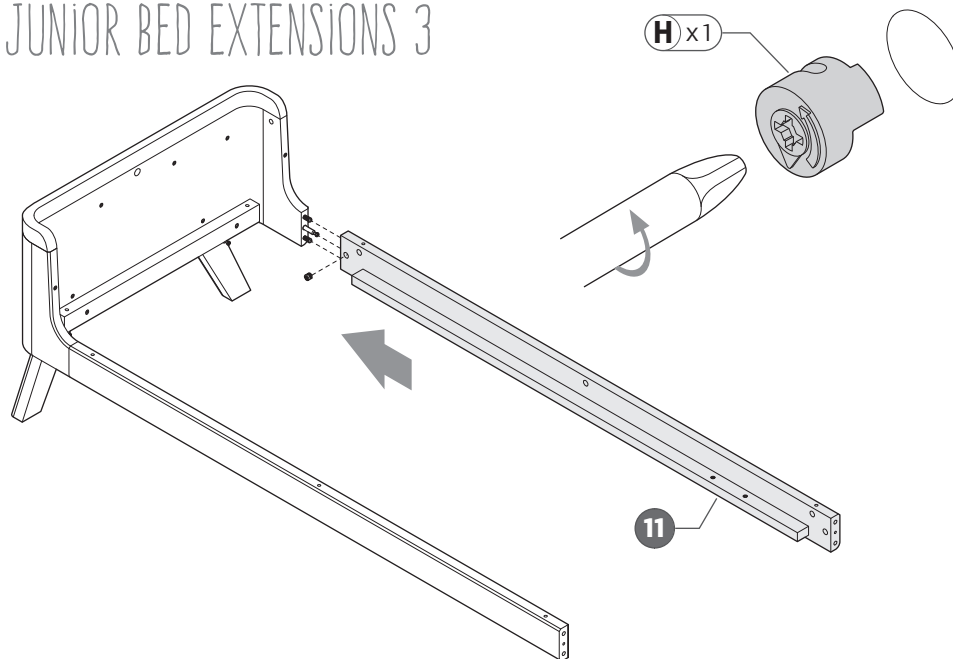


Dismantle the junior bed and keep the bed ends and base.

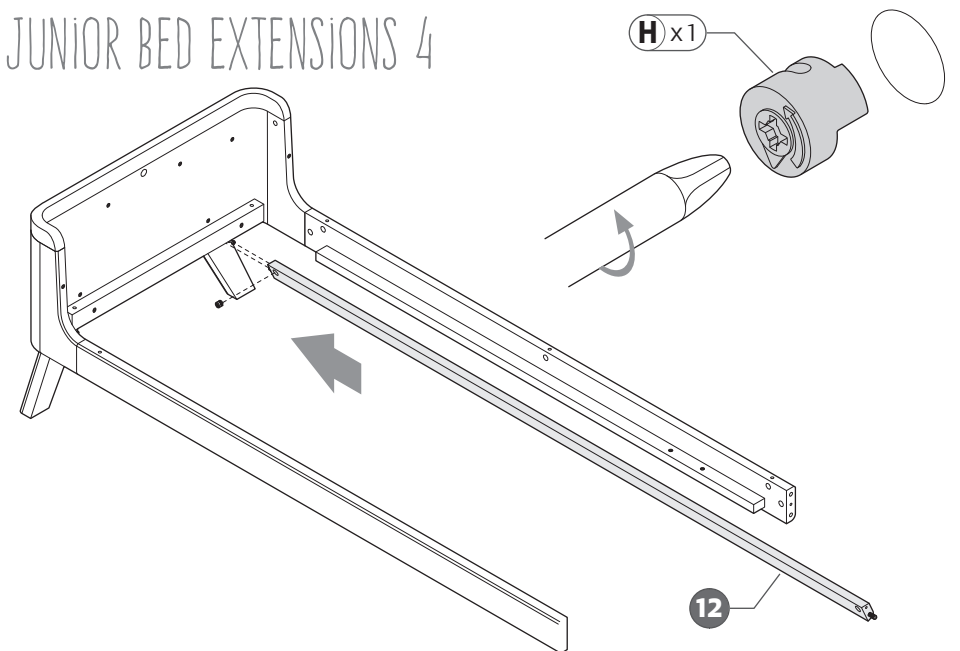
## JUNIOR BED EXTENSIONS 2



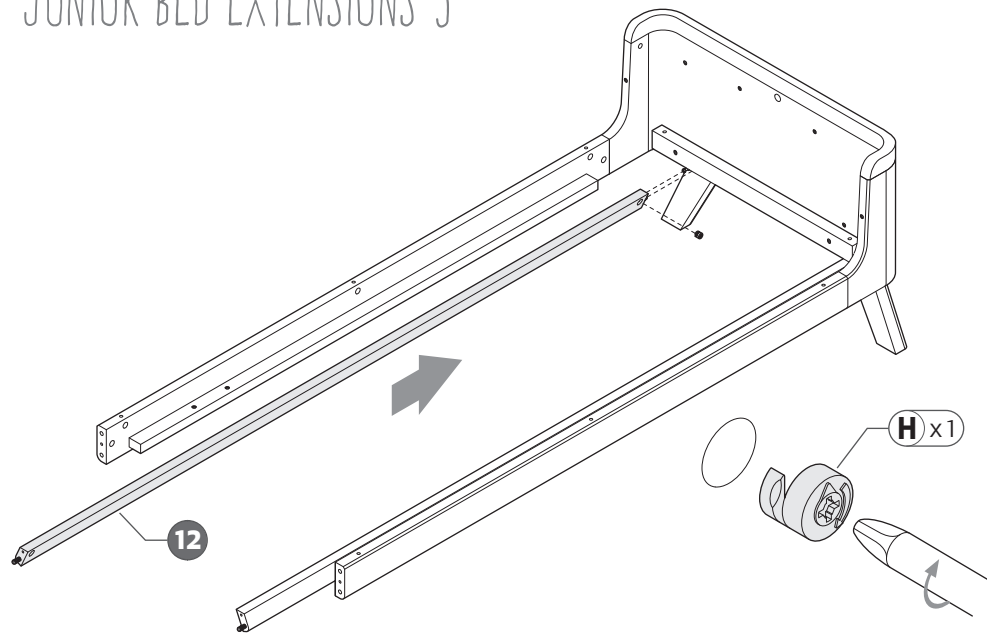
## JUNIOR BED EXTENSIONS 3



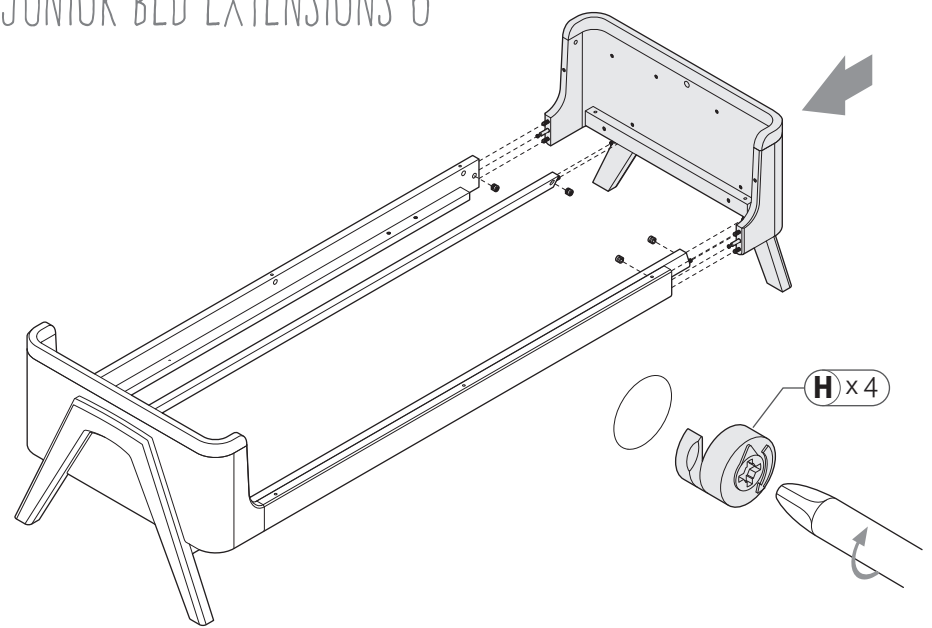
## JUNIOR BED EXTENSIONS 4



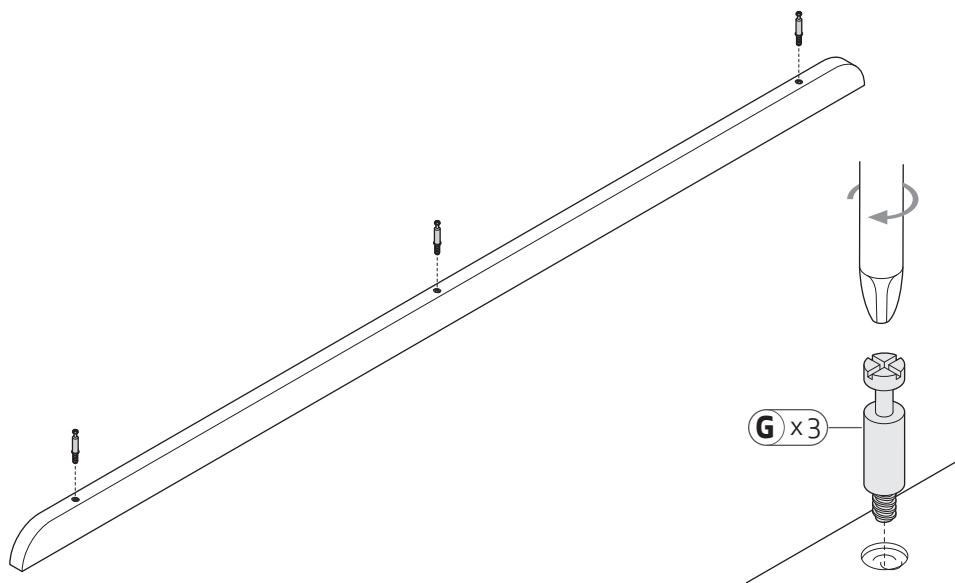
## JUNIOR BED EXTENSIONS 5



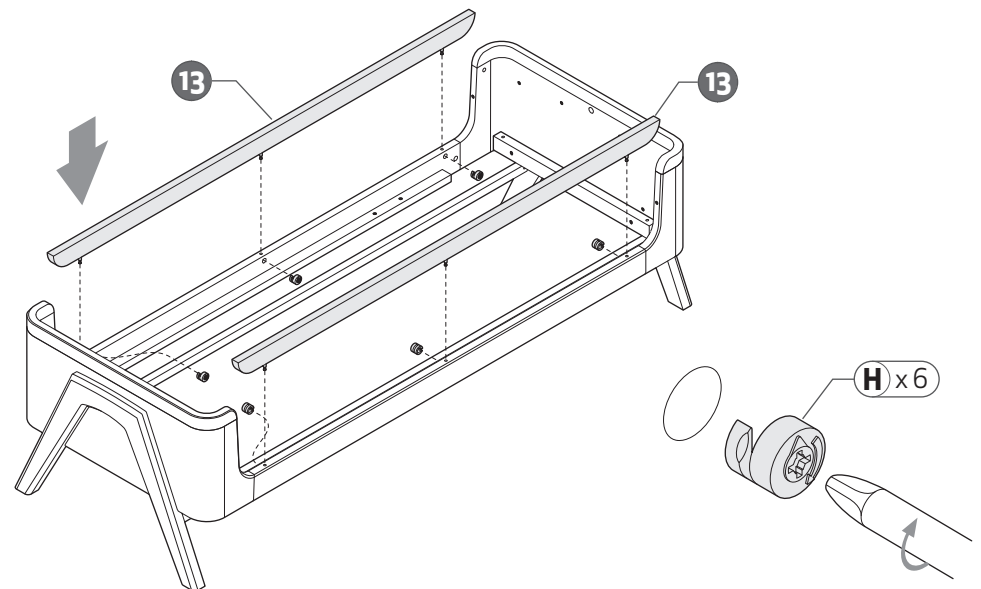
## JUNIOR BED EXTENSIONS 6



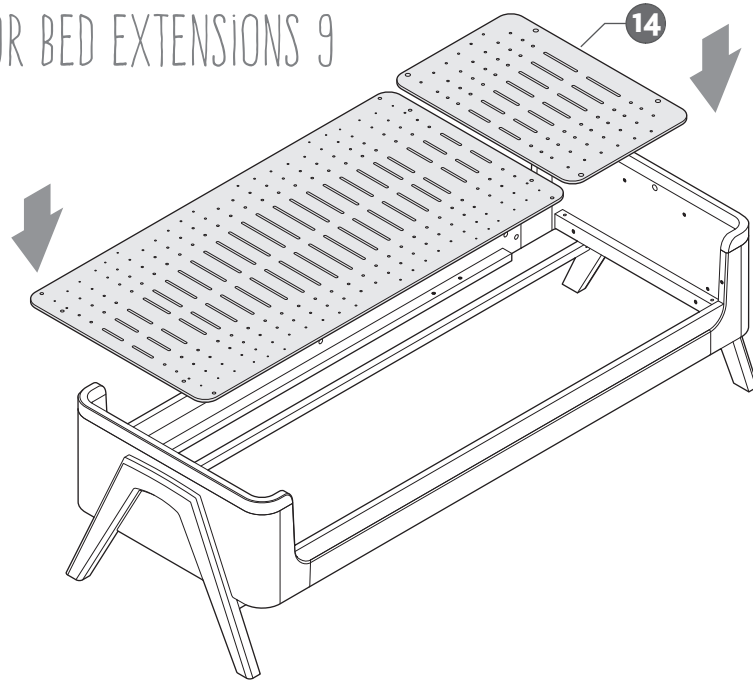
## JUNIOR BED EXTENSIONS 7



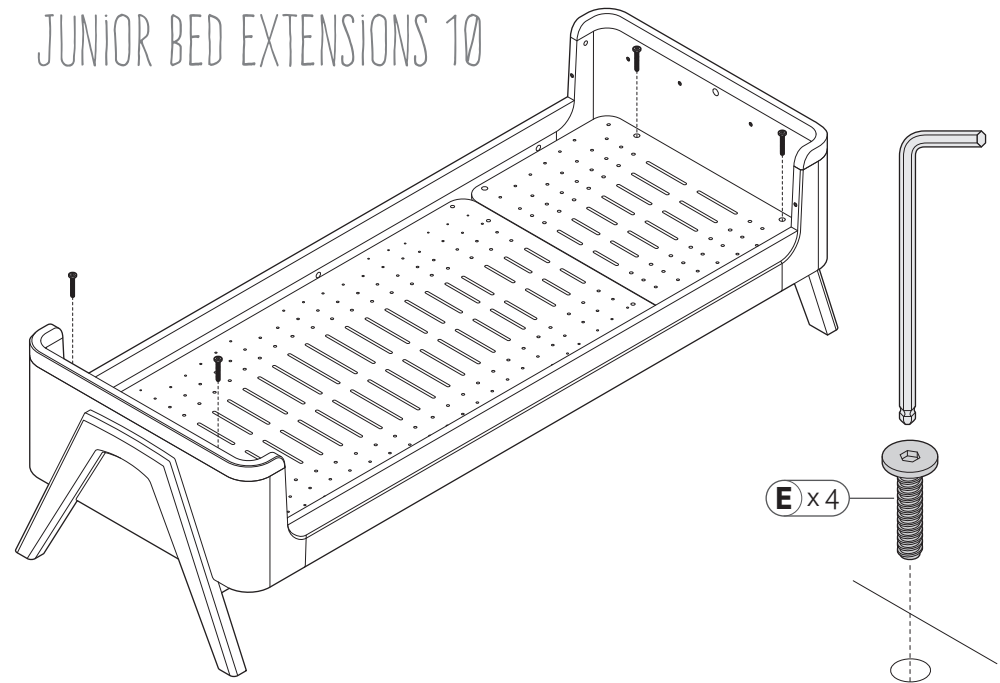
## JUNIOR BED EXTENSIONS 8



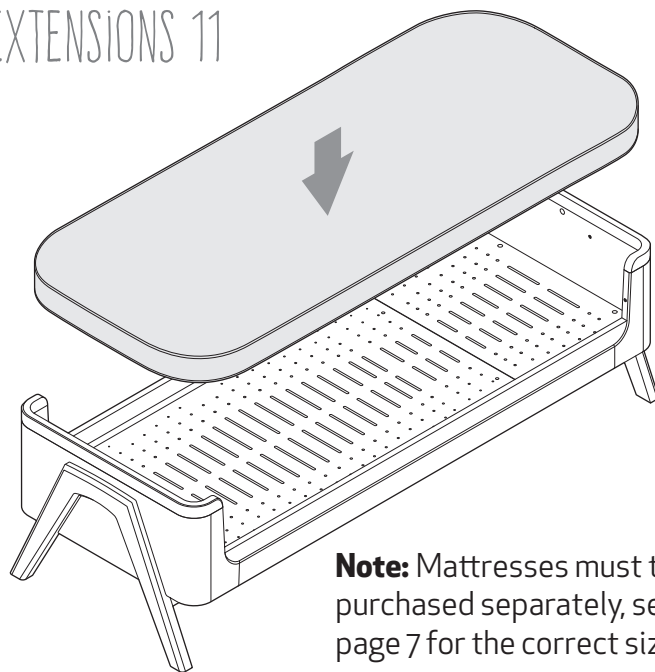
## JUNIOR BED EXTENSIONS 9



## JUNIOR BED EXTENSIONS 10

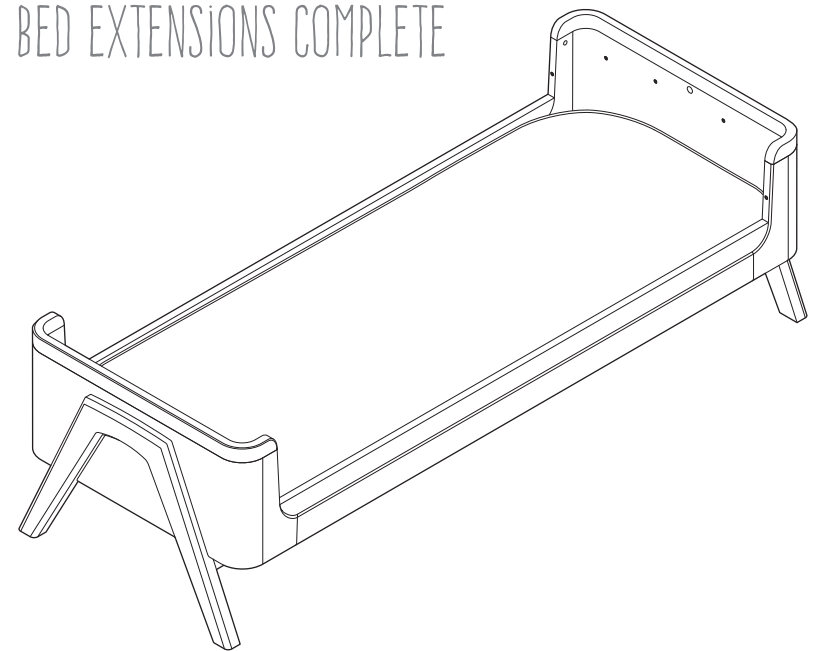


## JUNIOR BED EXTENSIONS 11



**Note:** Mattresses must to be purchased separately, see page 7 for the correct size.

## JUNIOR BED EXTENSIONS COMPLETE



NOTES

## Junior bed extensions safety information

### **IMPORTANT: READ THESE INSTRUCTIONS CAREFULLY AND RETAIN FOR FUTURE REFERENCE**

#### **INSTRUCTIONS FOR SAFE USE**

- **Recommend mattresses sizes:**

**Junior bed extensions:** 400mm long x 600mm wide x 100mm depth.

- Children are likely to play, bounce, jump and climb on beds, therefore the child's bed should not be placed too close to other furniture or windows, and should be placed either tight to any wall or have a gap of 300mm between the wall and the side of the bed.
- The mattress should be no more than 30mm shorter or narrower than the internal length or width of the cot.
- Please ensure that all fittings are tightened properly before use. Fittings should be checked and tightened regularly every 2 to 3 weeks.
- Your junior bed may be cleaned with a damp cloth. Never use bleach or abrasives cleaning agents as this will damaged the surface.
- This cot bed is intended for children aged from 4 to 5 years of age approximately.
- This cot bed conforms to BS 8509:2008 + A1 2011.

## Manufacturer Warranty

All Gaia Baby furniture carries a full 2 year manufacturer's warranty.

The warranty does not cover wear & tear or damage caused by the product not being used in accordance with correct care instructions.

The warranty period is effective from date of purchase. The warranty applies to product presented with an original receipt or proof of purchase. The warranty applies to the territory in which the product was purchased.

During the warranty period, Gaia Baby will repair or replace any defective part.

In the event of a product being replaced in entirety, the guarantee on the replacement will expire two years from the original purchase date.

This is a natural wood product. Some variation in surface finish and colour may occur. While every attempt is made to colour match replacement parts, colour matching cannot be guaranteed.

This guarantee excludes accidental damage, misuse and or damage caused by improper transport or handling.

This warranty is void if the original product has been altered in design or colour in anyway and/ or if not presented with an original receipt as proof of purchase.



**Gaia Baby Limited**

#2, Kinsealy Business Park,  
Malahide  
Dublin K36 DK81  
Ireland

**Web:**

[www.gaia-baby.com](http://www.gaia-baby.com)

**Email:**

[customercare@gaia-baby.com](mailto:customercare@gaia-baby.com)