

HERA PEG RAIL

Assembly instructions

IMPORTANT: Please read carefully and retain for future reference

Hera peg rail safety information

IMPORTANT: READ THESE INSTRUCTIONS CAREFULLY AND RETAIN FOR FUTURE REFERENCE

INSTRUCTIONS FOR SAFE USE

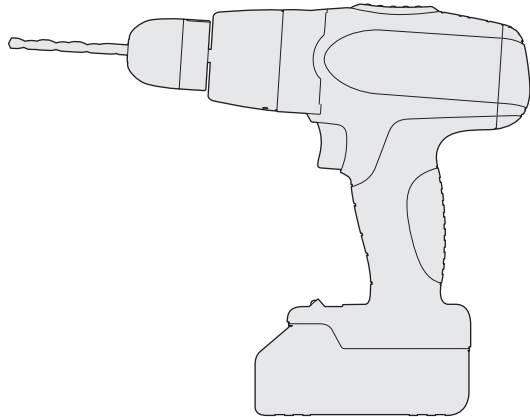
• WARNING

- Ensure that the fittings used to hang the shelf are correct for the type of wall to which the shelf is to be fixed.
 - Ensure that the wall you select is suitable for attaching the shelf and that the wall and the wall attachment fittings are capable of withstanding the forces generated.
 - The shelf may represent a hazard if it is not correctly installed.
 - The installation of the shelf must be carried out by a competent person. If in any doubt about the installation consult a professional.
 - Regularly check all the wall shelf's screws and fittings to make sure they are tight and that the wall shelf is not damaged.
 - Do not fix your wall shelf in the close proximity of an open fire or other sources of heat, such as radiators, electric or gas fires.
 - Check that the heads on the fittings are the correct size, so that the head will fit into the wide end of the hanger plates slot but cannot be pulled through the gap in the hanger plates.
 - Check that you are using the correct sized drill bit for the fittings.
 - Check that marks made on the wall for the fittings' holes are level using a spirit level before drilling into the wall.
- Double-check all the measurements before drilling any holes.
 - When fitted to the wall, the heads on the fittings must protrude the correct distance so that they can be slotted into the slots in the hanger rails.

TOOLS

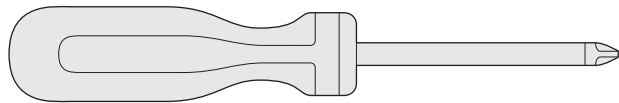
Drill and drill bits

Not supplied



Cross head screwdriver

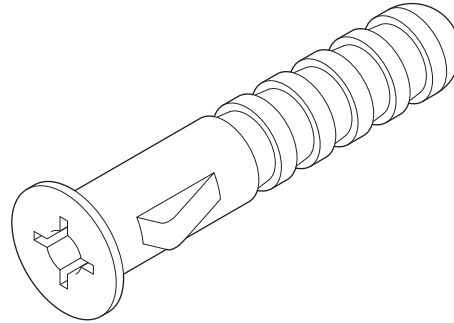
Not supplied



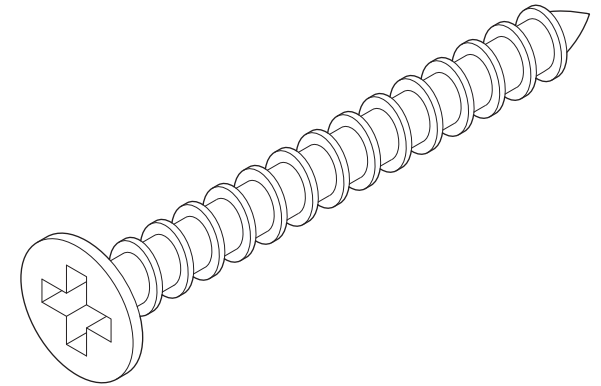
IMPORTANT: Keep all fittings and components not used in a safe place away from young children for future use.

FITTINGS

A x2

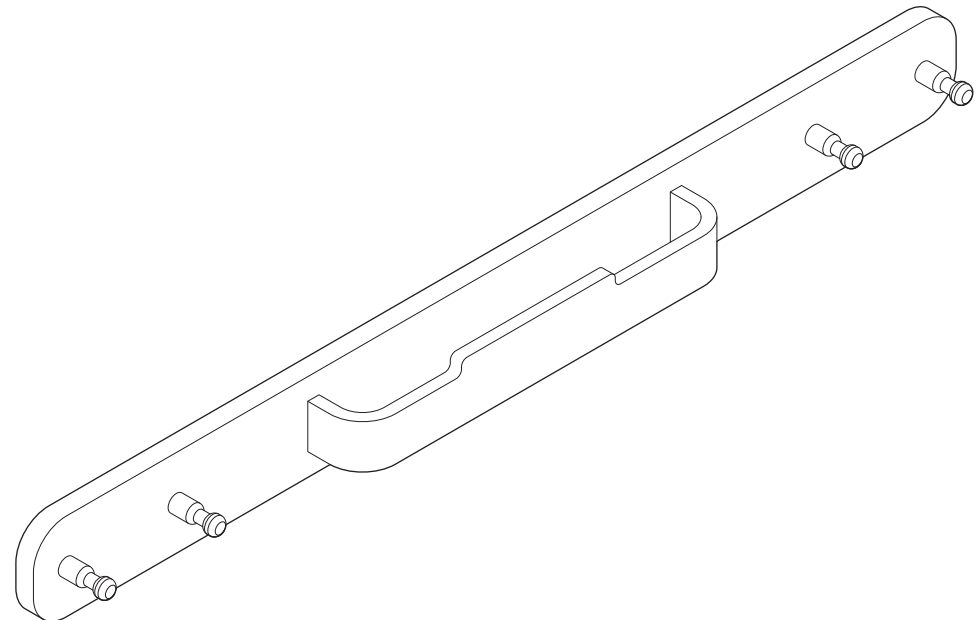


B x2



COMPONENTS

1 x1



FITTING THE PEG RAIL

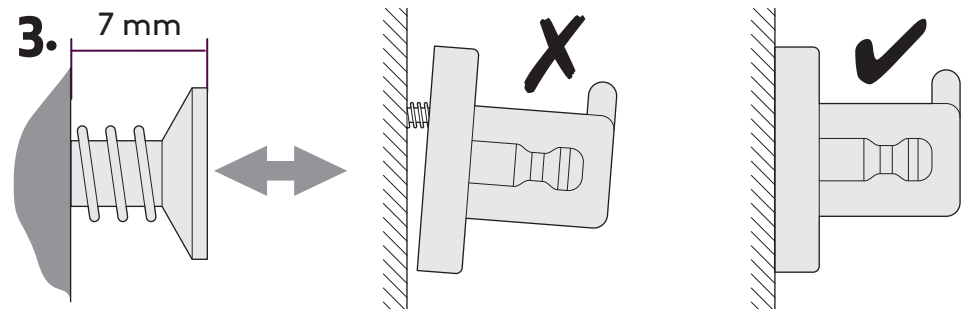
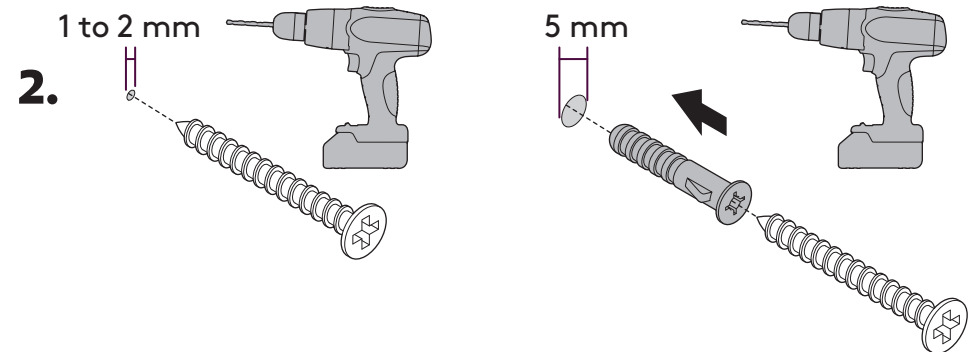
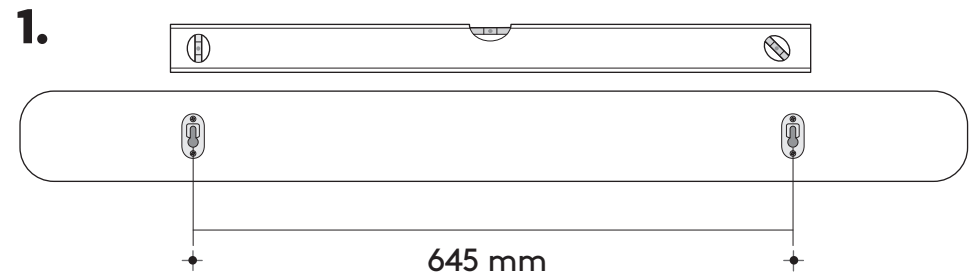
WARNING: Before attempting to fit the peg rail to the wall, if you are in any way unsure about how or where to fit the peg rail you should employ a qualified person to install your peg rail.

IMPORTANT: The fittings supplied with your peg rail may not be suitable for all types of wall. Please consult a professional for advice before drilling any holes if you are in any doubt.

IMPORTANT: Mark the position on the wall that you want the peg rail to be fitted to and check that they align with the holes in the back of the peg rail before drilling any holes.

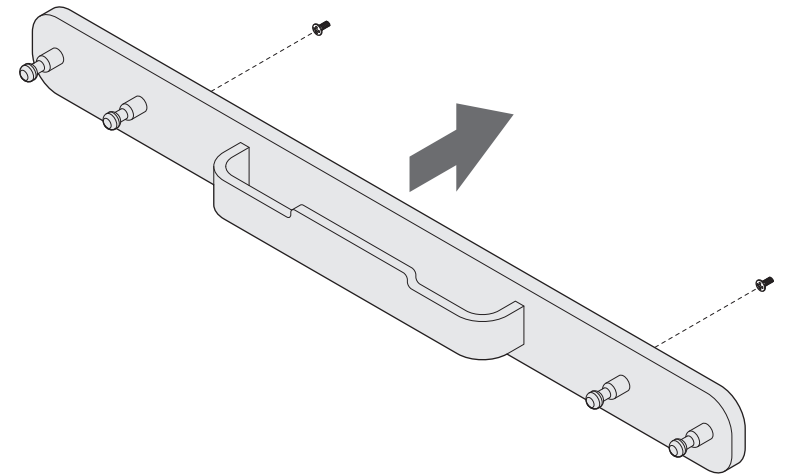
1. The distance between the outer holes must be 645 mm. Ensure the holes are level using a spirit level.
2. Drill 2 parallel holes ($\varnothing 5$ mm each according to wall type) in the wall. Firmly insert the wall plugs into the holes if required (not required for wooden structures). Tighten the screws provided into the wall using a screwdriver.
3. Leave approximately 7mm of the screw head protruding from the wall so that when the shelf is fitted it fits flush against the wall.

Note: You may need to adjust the length of the screw protruding from the wall to get the peg rail to fit flush against the wall.

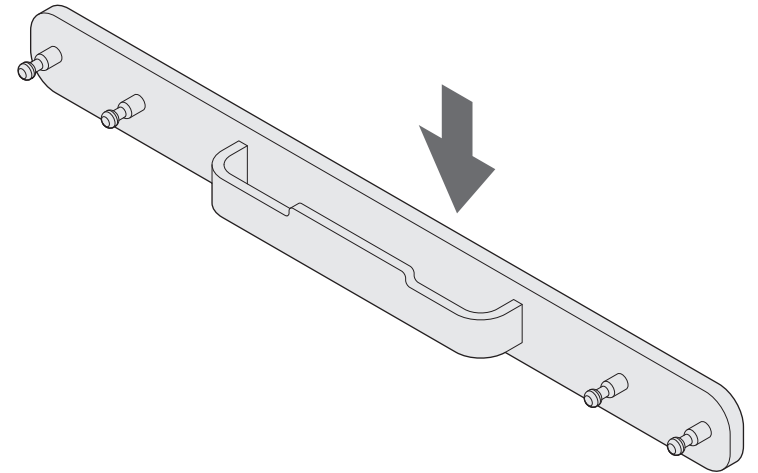


4. Align the heads of the screws in the wall with the large holes in the mounting plates on the back of the per rail and slot the peg rail onto the heads of the screws.
5. Push the peg rail down until it locks onto the screws in the wall.
6. **IMPORTANT:** The peg rail can hold a maximum of 10 Kg. Never overload the peg rail as it could damage the peg rail and/or the wall.

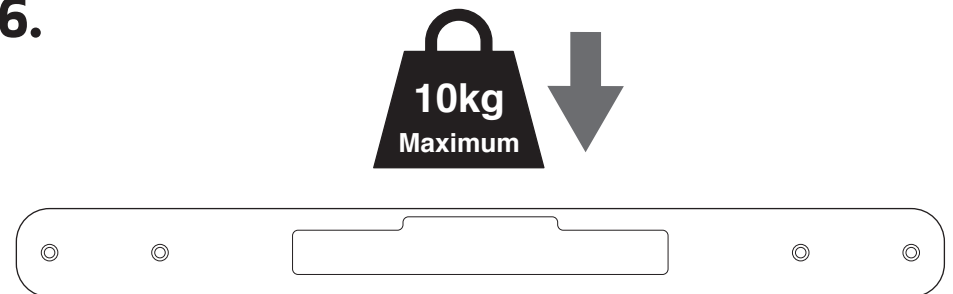
4.



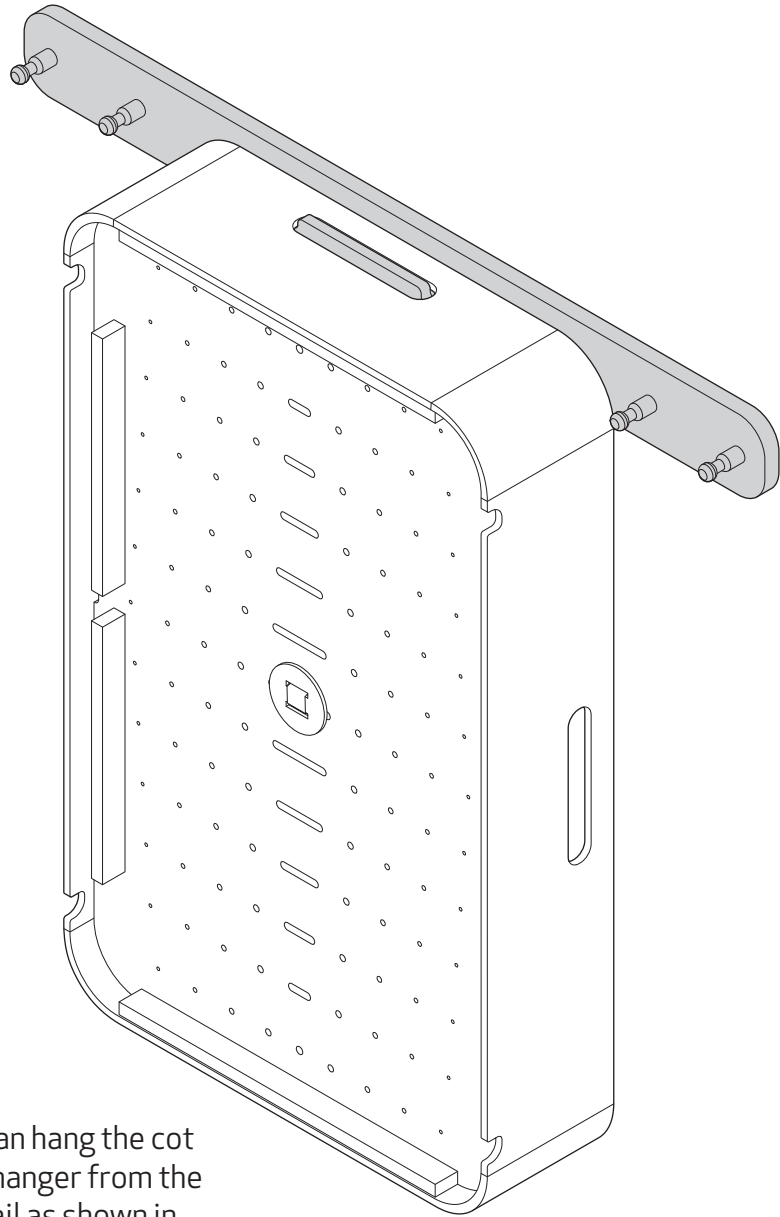
5.



6.



PEG RAIL & COT TOP CHANGER



You can hang the cot top changer from the peg rail as shown in the diagram.

NOTES

Manufacturer Warranty

All Gaia Baby furniture carries a full 2 year manufacturer's warranty.

The warranty does not cover wear & tear or damage caused by the product not being used in accordance with correct care instructions.

The warranty period is effective from date of purchase. The warranty applies to product presented with an original receipt or proof of purchase. The warranty applies to the territory in which the product was purchased.

During the warranty period, Gaia Baby will repair or replace any defective part.

In the event of a product being replaced in entirety, the guarantee on the replacement will expire two years from the original purchase date.

This is a natural wood product. Some variation in surface finish and colour may occur. While every attempt is made to colour match replacement parts, colour matching cannot be guaranteed.

This guarantee excludes accidental damage, misuse and or damage caused by improper transport or handling.

This warranty is void if the original product has been altered in design or colour in anyway and/ or if not presented with an original receipt as proof of purchase.



Gaia Baby Limited

#2, Kinsealy Business Park,
Malahide
Dublin K36 DK81
Ireland

Web:

www.gaia-baby.com

Email:

customercare@gaia-baby.com