

Hera bedside crib

Assembly instructions

IMPORTANT: Please read carefully and retain for future reference

Bedside Crib safety information

IMPORTANT: READ THESE INSTRUCTIONS CAREFULLY AND RETAIN FOR FUTURE REFERENCE

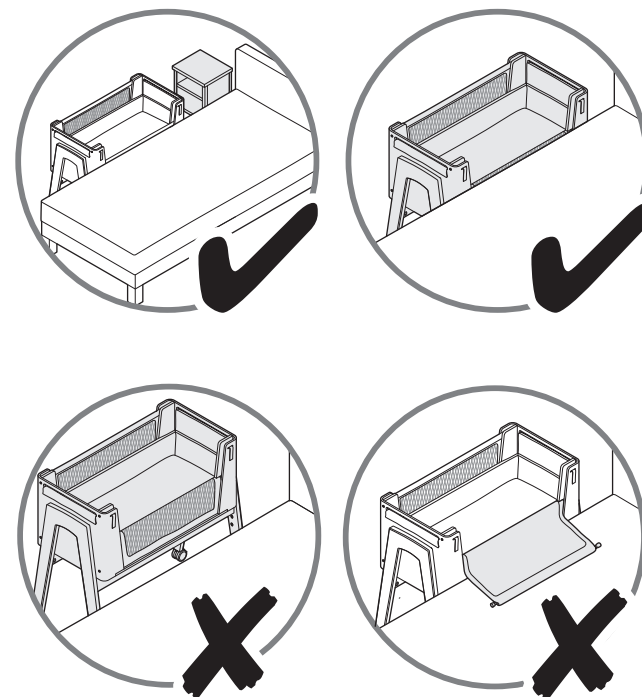
INSTRUCTIONS FOR SAFE USE

- **WARNING:** This product is intended for use for babies aged between 0 and 6 months, weighing up to a maximum of 9kgs . When a child is able to sit, kneel or to pull itself up, the crib shall not be used anymore for this child. Do not use the product if any part is broken, torn or missing.
- **WARNING:** Be aware of the risk of open fires and other sources of strong heat, such as electric bar fires, gas fires, etc.
- Before assembly, check that the product and all of its components have not been damaged during transportation. Should any part be damaged do not use and keep out of reach of children.
- Make sure the users of this product are knowledgeable on its proper operation.
- **WARNING:** the product is ready for use only when all locking mechanisms are engaged. Check carefully that these are engaged before use.
- **WARNING:** When the child is left unattended in the product, always make sure that the side panels are raised and fully secured with popper tabs clicked in to place. All opening, adjusting, anchoring and positioning operations of the product must be carried out exclusively by an adult.
- **WARNING:** Before use in “Bedside Crib” mode (Fixed to the parent’s bed) make sure the product is correctly positioned per page 16-17 of this instruction booklet.
- **WARNING:** When the product is used in “Bedside Crib” mode (Fixed to the parent’s bed)”, before laying the child in it, make sure that the connection belts are hooked and tensioned properly, the product must be secured to the parents’ mattress and no gaps between the products and the adults’ mattress must be present. .
- The product must always be placed on a horizontal surface. Never leave the product on an inclined surface with the child inside it.
- Children must not be permitted to play without supervision near the product
- Keep the fastening belts away from the reach of children.
- The thickness of the mattress must be such that the distance between the upper surface of the mattress to the upper edge of the crib sides is at least 350 mm. Do not use more than one mattress in the crib. .
- If you purchase a mattress separately, make sure it is suitable for the product. Do not leave any object inside the product that could reduce its depth.
- Do not leave small objects inside the product to prevent choking hazards.
- Use only spare parts approved by the manufacturer. Do not USE accessories which are not supplied by the manufacturer.
- Do not adjust the product with the child inside. Do not move the product with the child inside. Do not use the product with more than one child at a time.
- The product must be kept away from electric cables and cords: do not place the product near windows where cords, curtains or similar objects could pose choking or strangling hazards for the child. To avoid strangling hazards, do not give to your child or place near them, objects equipped with cords.
- A prolonged exposure to the sun may cause changes of tones to the product’s colour.



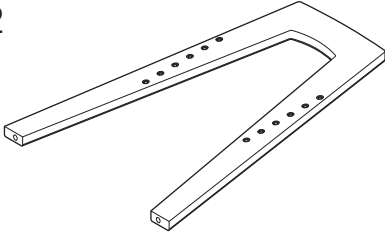
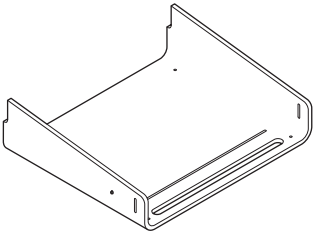
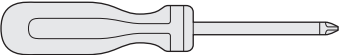
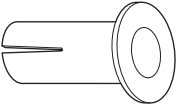
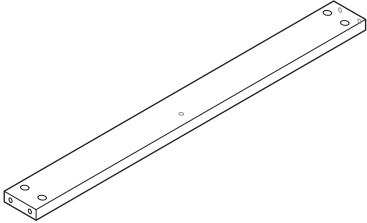
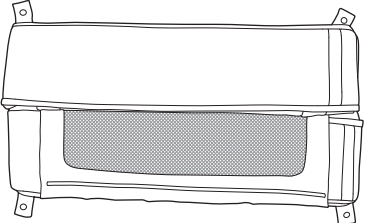
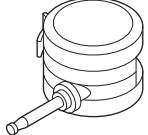
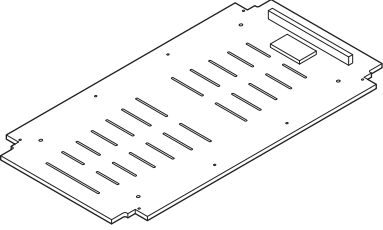
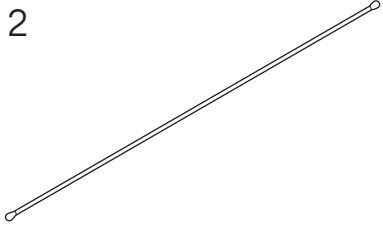
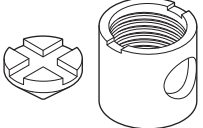
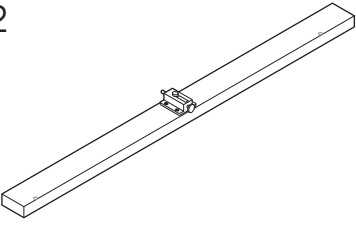
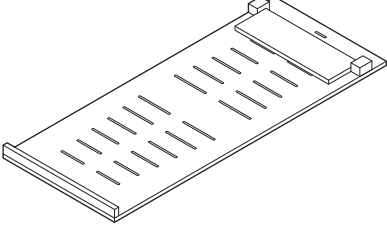
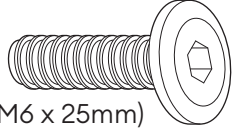
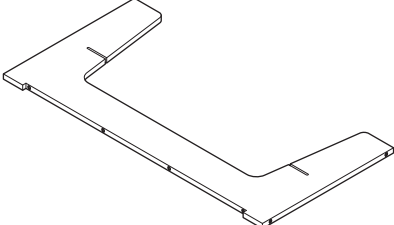
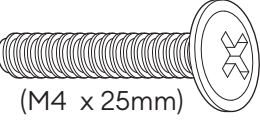
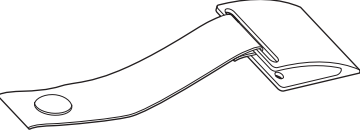
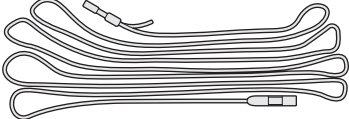
- All assembly fittings should always be tightened properly and care should be taken to ensure that no screws are loose.
- Do not use the product without the side panels (textile insert).
- **BEDSIDE CRIB MODE (FIXING TO THE PARENT’S BED)**
The Hera crib can be fixed to the parent’s bed.
- **WARNING - IMPORTANT FOR THE SAFETY OF YOUR CHILD:**
Bedside crib mode is only possible with bed types that allow the side support of the crib to be put close to the parent’s mattress. The parent’s mattress should always be aligned with the height of the side support for restraint of the crib (see page 5). Furthermore, the crib should be firmly fixed to the structure of the parents bed or to the mattress support (see page 16-17).
- **WARNING:** Check to make sure that the crib in the Bedside Adapter mode does not interfere with the parent’s bed.
- **WARNING:** During use, make sure that the parents bed sheets, blankets etc. do not enter and cover the interior of the crib.
- **WARNING:** In order to fix the crib to the parents bed (Bedside Crib mode) use the pair of straps provided. Fix the straps around the structure of the parent’s bed, from the bottom towards the top and fix the buckle to form a loop. Repeat this operation on the other side. For easier installation, during fixing of the buckles, we suggest that the crib is kept at a short distance from the parent’s bed. At this point, move the crib to the side of the parent’s bed and tighten the loop by pulling the belts firmly. Carry out this operation on one side and then on the other side, adjusting the belts until the crib is firmly in contact with the parents mattress. See Page 16-17 for further illustration

- **WARNING:** Before every use always check to make sure that there is no space between the parent’s mattress and the side of the crib. If there is, pull the belts firmly to tighten until there’s no space and the permitted condition of use has been restored.
- **WARNING:** When the product is used in the “Bedside Crib Mode” {fixing to the bed, it should always be fitted to the long side of access to the bed. **DO NOT** fix the product to the head or bottom of the bed.
- **Recommend mattresses sizes:**
Bedside crib: 78cm long x 36cm wide x 3.5cm depth

Bedside Crib correct and incorrect positioning



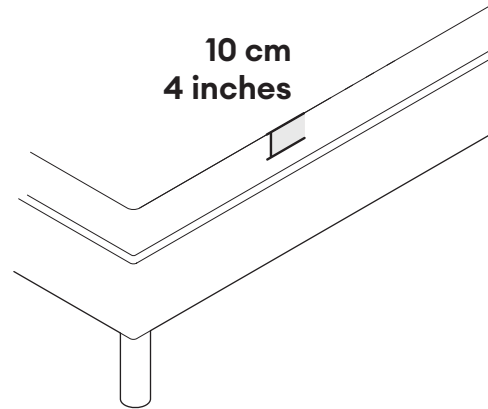
To complete assembly you will need to have the below tools, components and fittings ready

Tools	Fittings	Components	
 Allen key Supplied	A 	1 x 2 	6 x 2 
 Cross head screwdriver Not supplied	B x 4 	2 x 2 	7 x 1 
<p>IMPORTANT PLEASE READ CAREFULLY</p> <p>Keep all fittings not used in a safe place away from young children for future use.</p> <p>Please ensure that bolts & screws are not over-tightened. Failure to do this will result in potential damage.</p> <p>When assembling, do not fully tighten the bolts on the cot/crib sides until the product is fully assembled. This will help with assembly.</p>	C x 4 	3 x 1 	8 x 2 
	D x 8 	4 x 2 	9 x 1 
	E x 12  (M6 x 25mm)	5 x 2 	
	F x 8  (M4 x 25mm)		
	G x 4 		
	H x 2 		

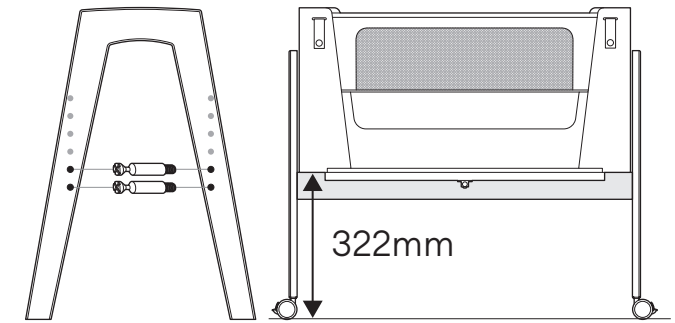
Crib base position

IMPORTANT:

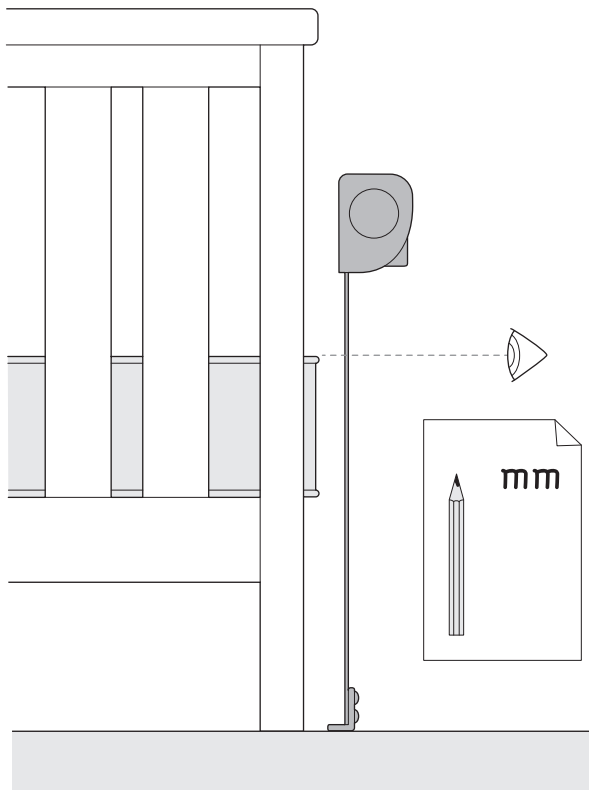
1. Measure your bed's mattress height.
2. Before fitting the crib supports (Part 6) to the legs, ensure the tops of the crib support rails (4) are a minimum of 10cm (4 inches) below the upper surface of the bed's mattress.



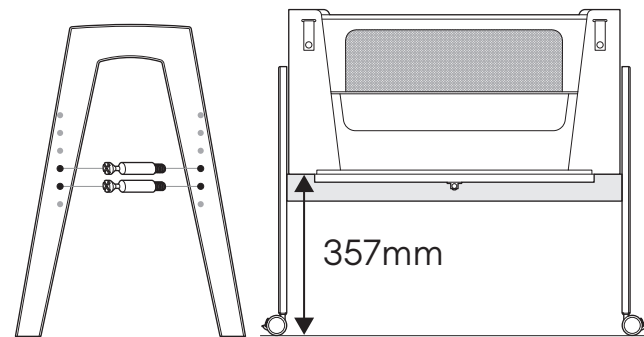
Position 1



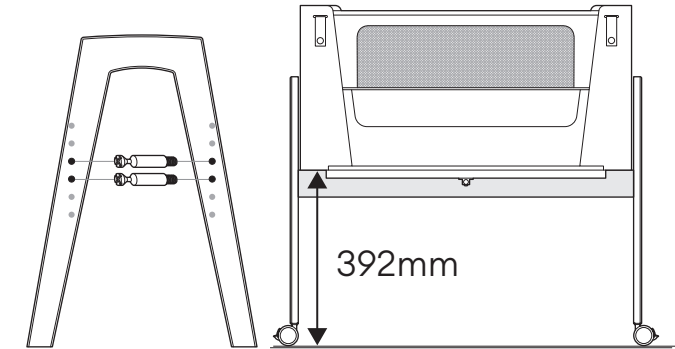
Measuring your mattress height



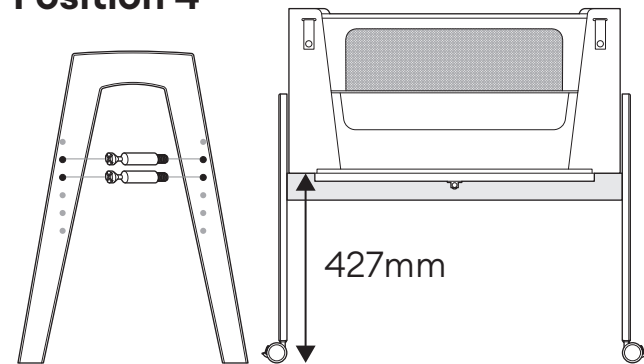
Position 2



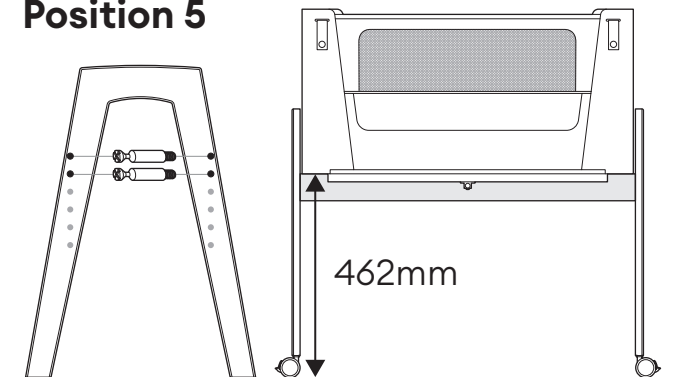
Position 3



Position 4



Position 5

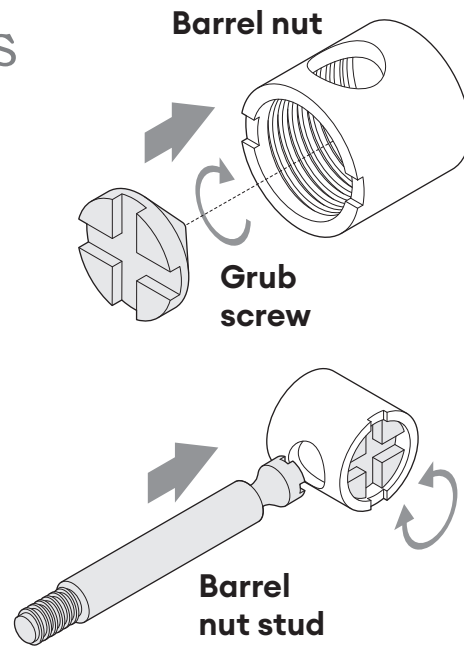


Using barrel nuts

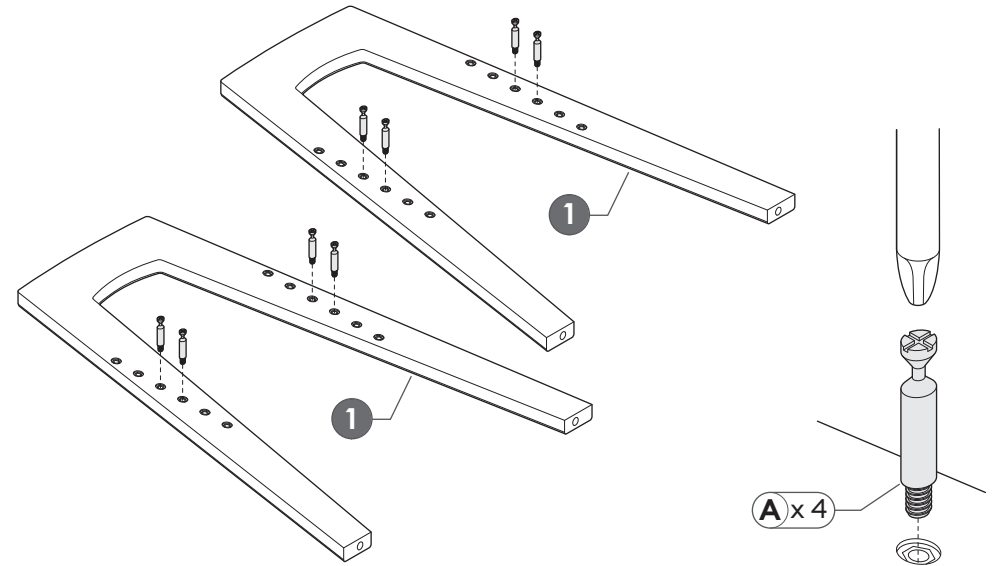
The barrel nuts come in two parts the barrel and the grub screw. Insert the grub screw into the end of the barrel and turn clockwise.

Before inserting the barrel nuts into the holes in the component, ensure the end of the barrel nut stud will fit into the barrel nut.

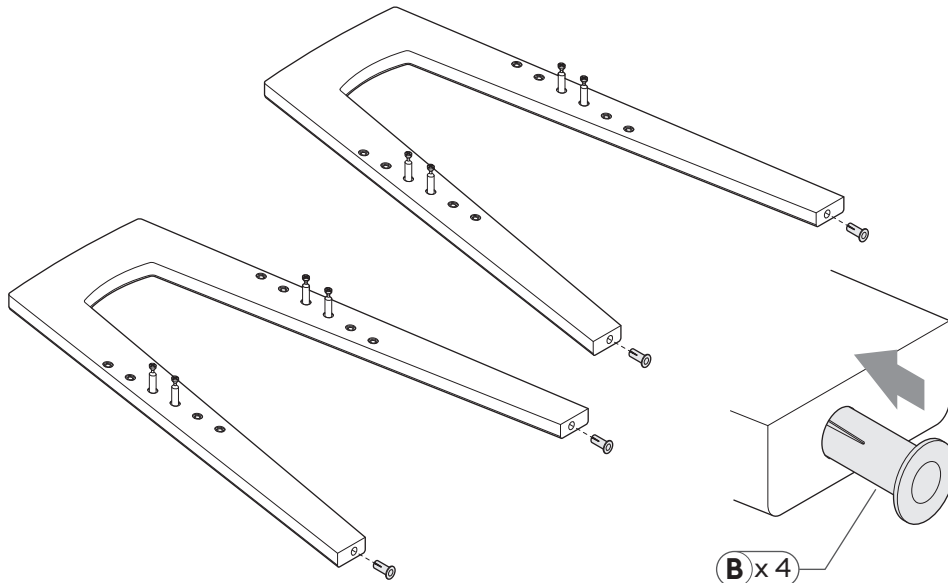
If the stud does not fit turn the grub screw anti-clockwise until the stud can be inserted.



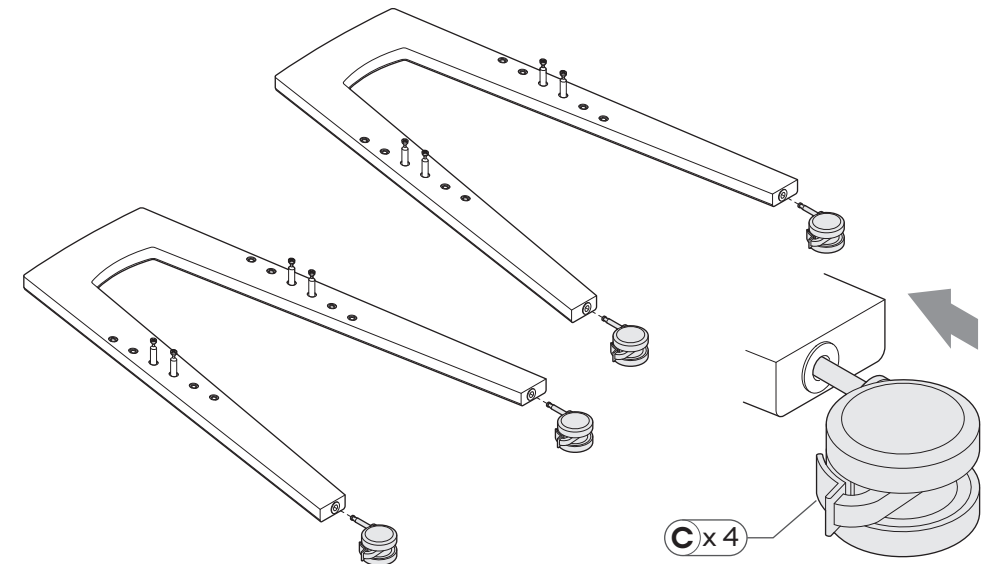
Stand assembly 1



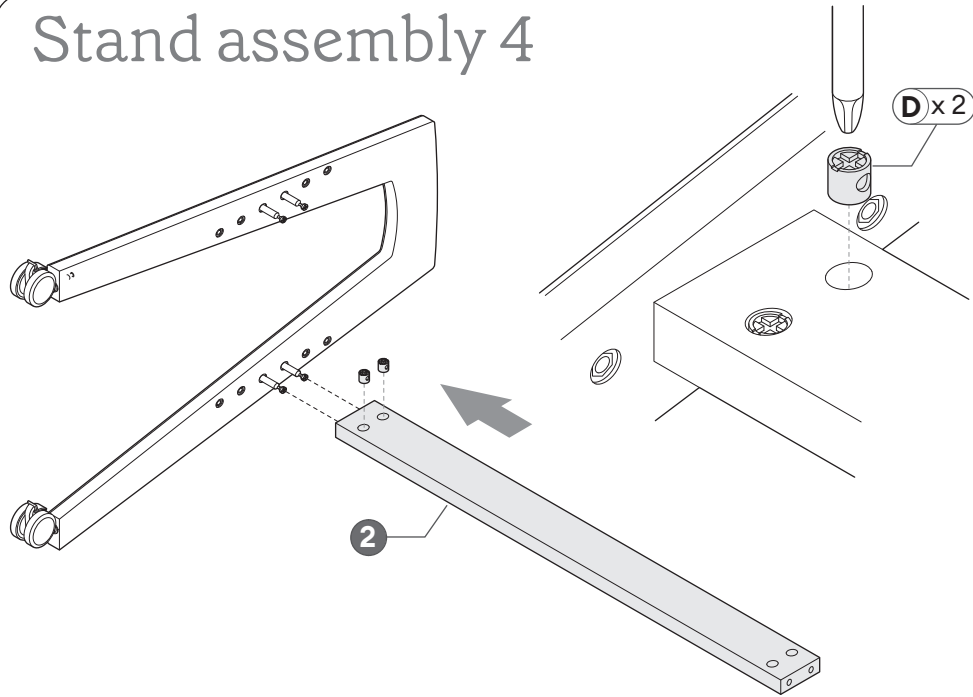
Stand assembly 2



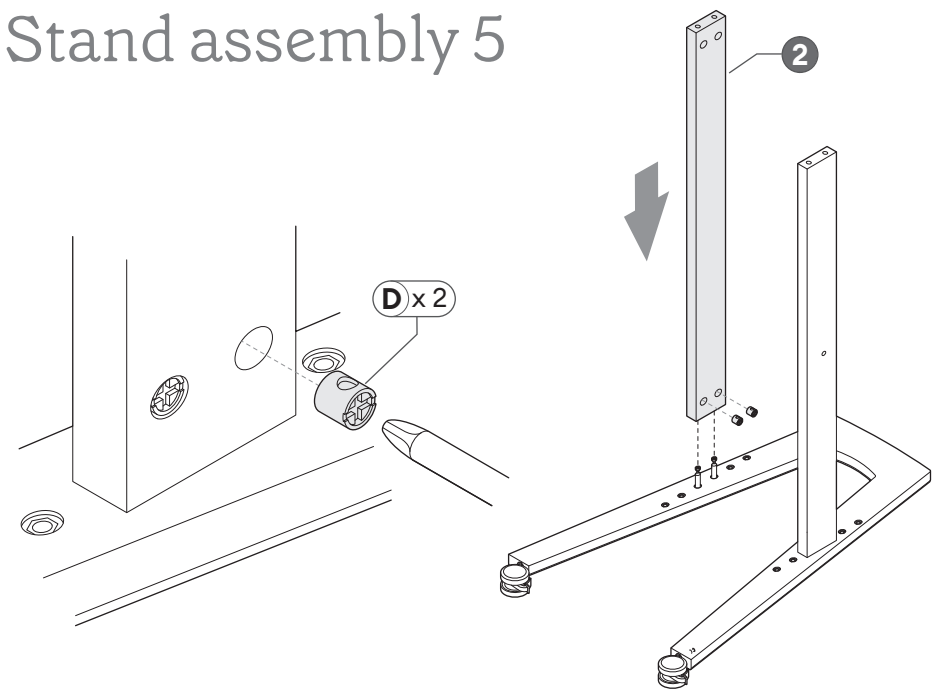
Stand assembly 3



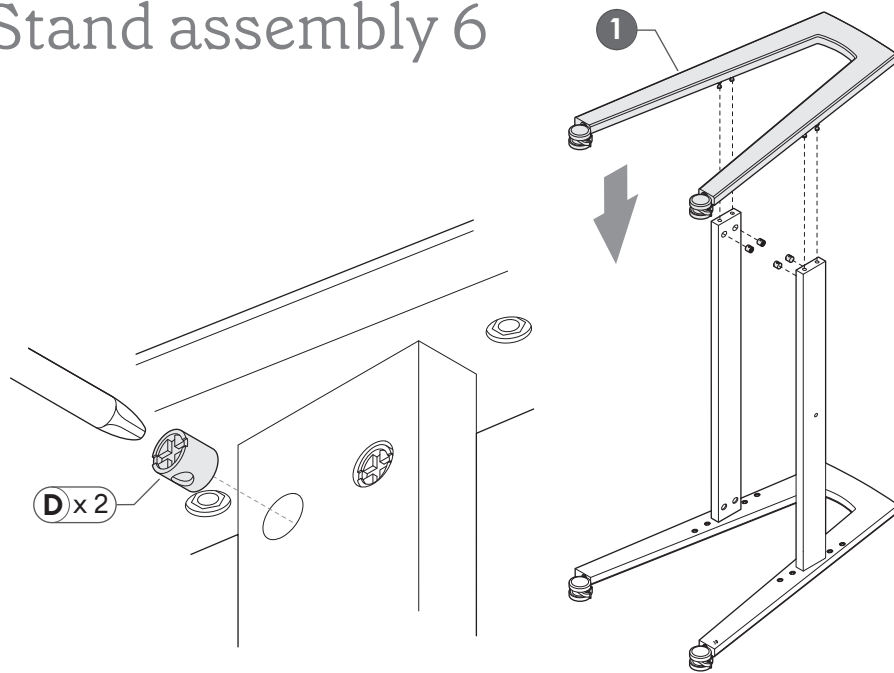
Stand assembly 4



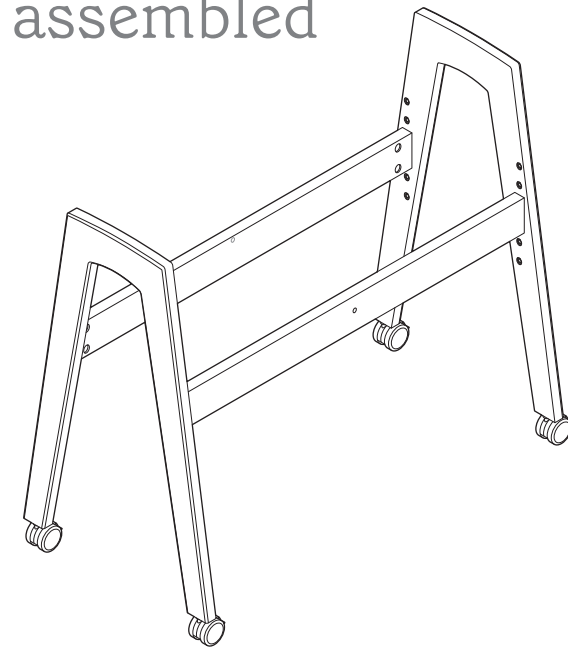
Stand assembly 5



Stand assembly 6



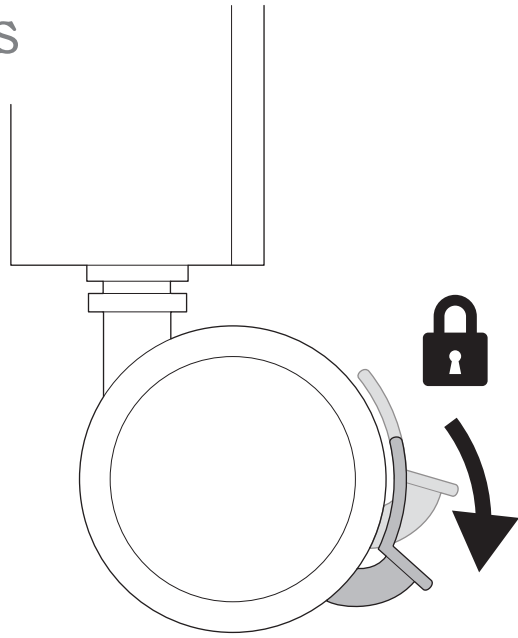
Stand assembled



Locking castors

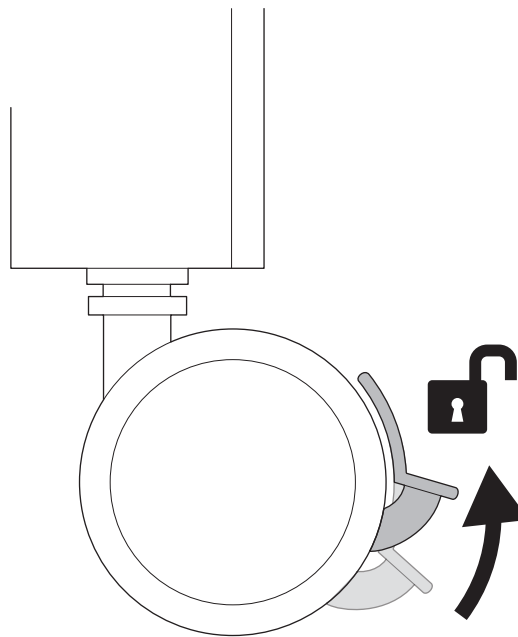
To lock the castors:

Push the locking tabs on the castors downwards until the castors lock with a CLICK.

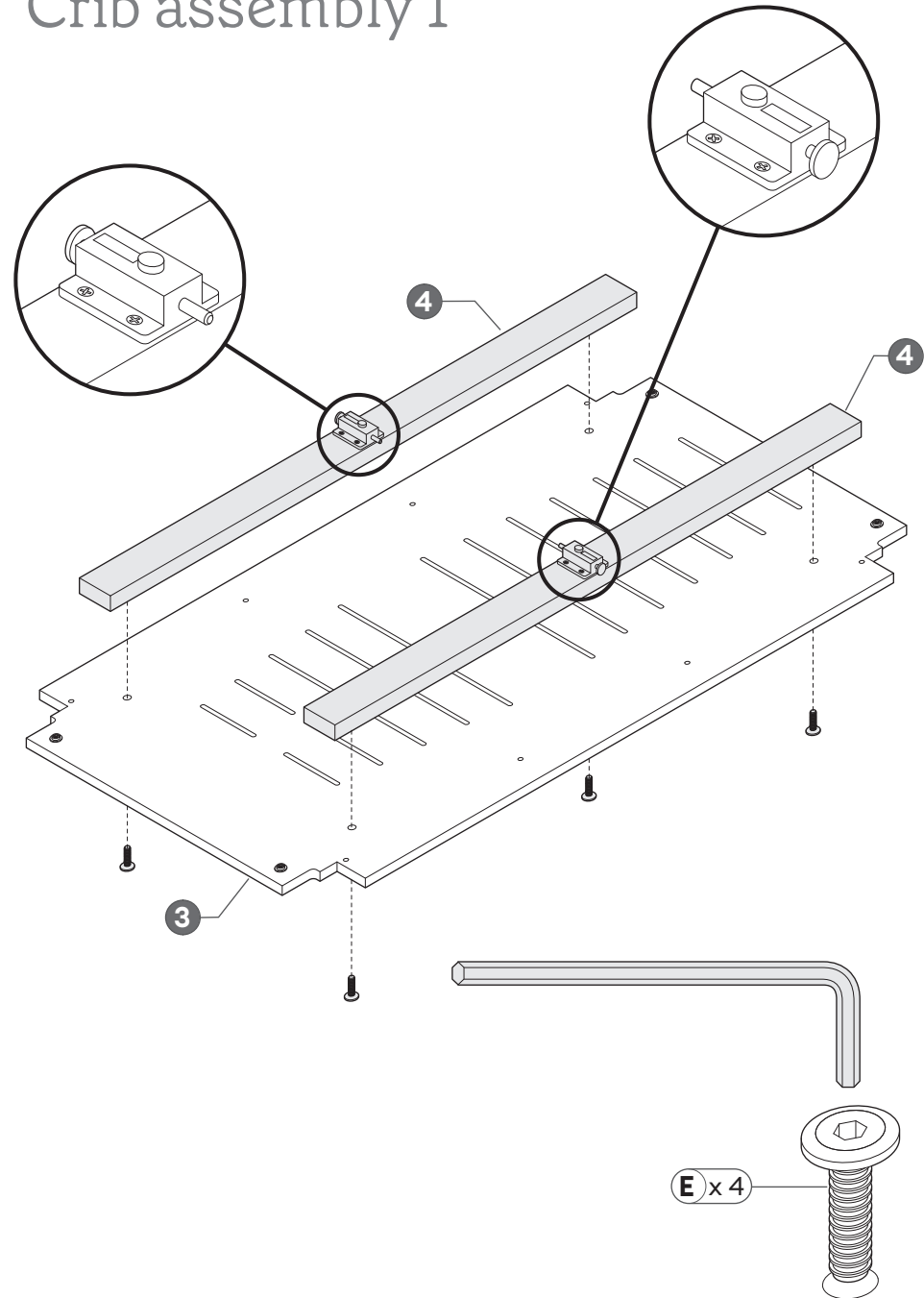


To unlock the castors:

To unlock the castors, push the locking tabs upwards until it unlocks the castors with a CLICK.

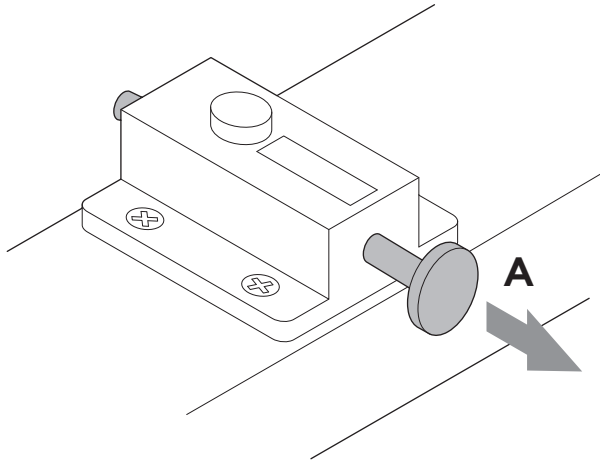


Crib assembly 1



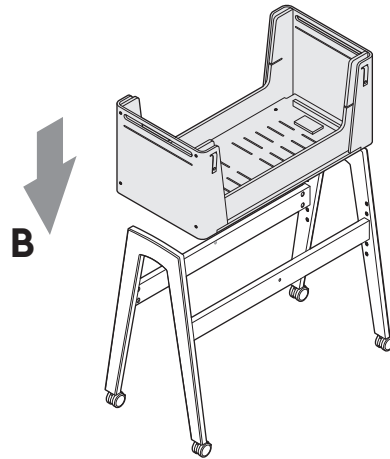
Fitting the crib base

Pull the locking pins on the base rails under the base of the crib outwards until they lock in place with a **CLICK** (**A**).



Lower the crib onto the stand (**B**).

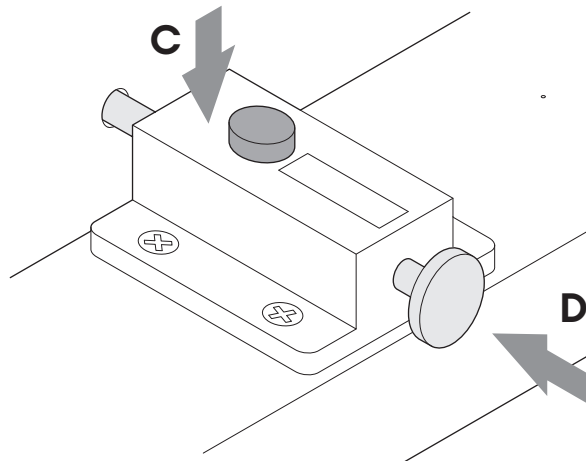
IMPORTANT: Ensure the base rails on the crib are positioned over the rails on the stand.



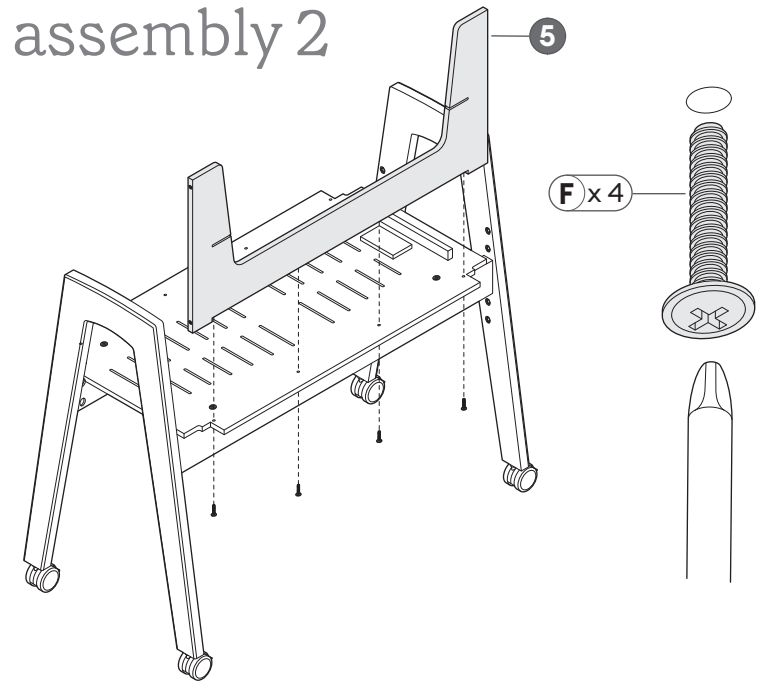
Check the pins on the locks are aligned with the locking holes in the stands rails.

Press the release button (**C**) on the lock to release the pin (**D**).

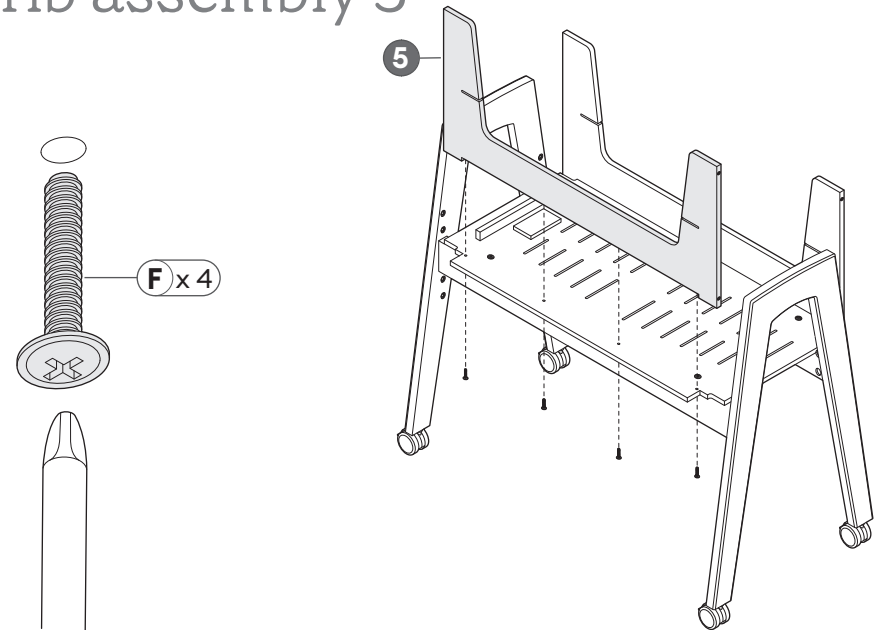
Ensure the pins are in the holes on the stand rails.



Crib assembly 2

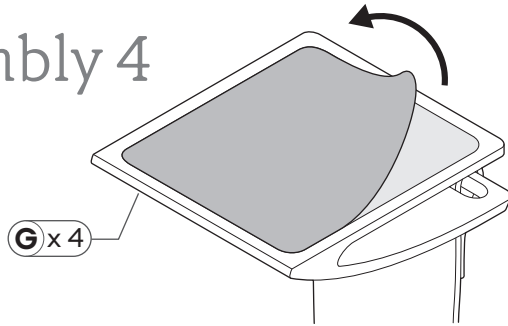


Crib assembly 3

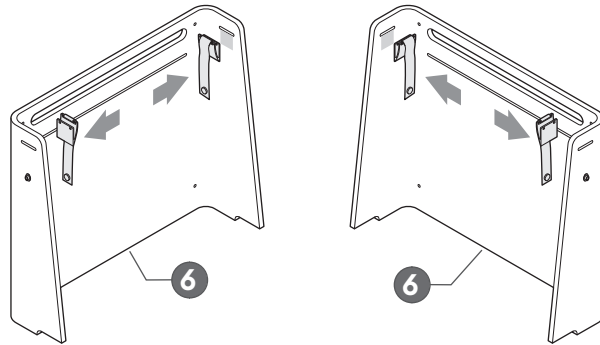


Crib assembly 4

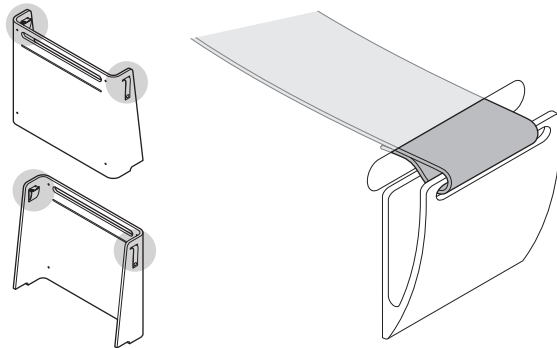
Peel the protective cover off the glue pad on the clip (G).



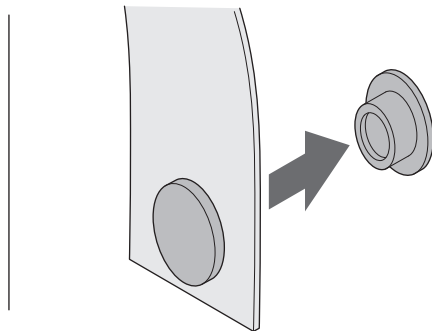
Stick the clips to the end panels (6) just below the slots in the sides of the panels.



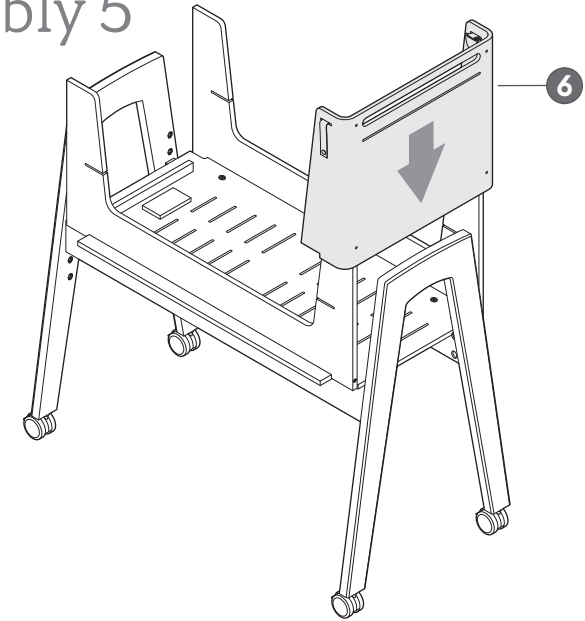
Slot the fabric straps on the clips through the slots of the end panels.



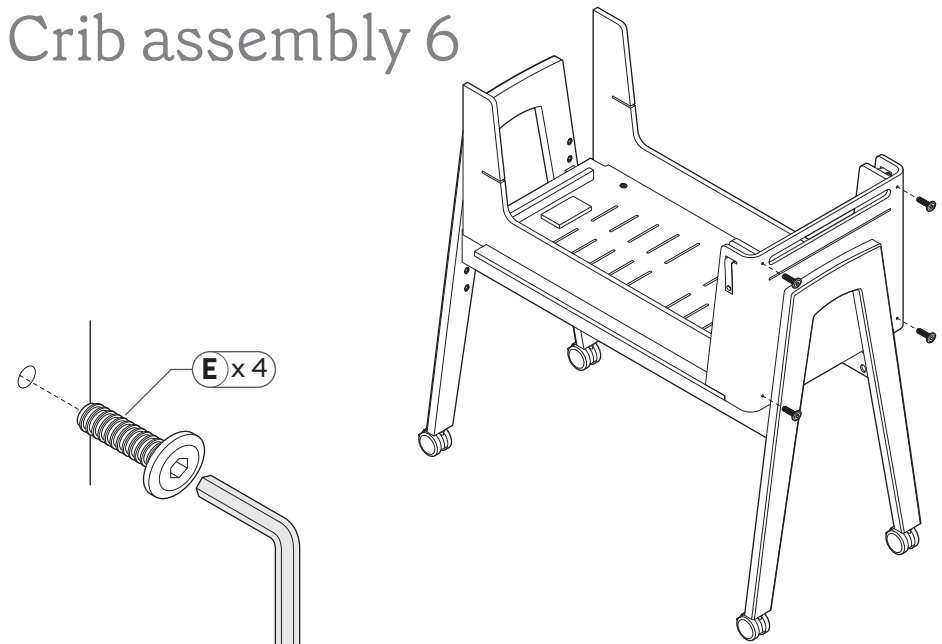
Fasten the press studs on the ends of the straps to the studs on the end panels.



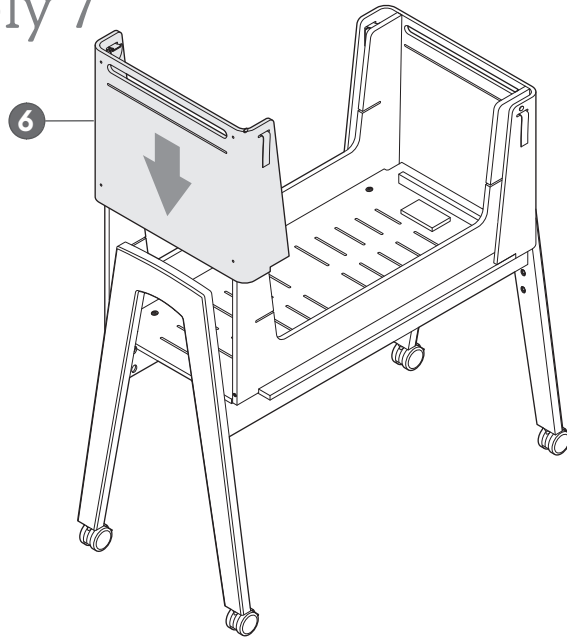
Crib assembly 5



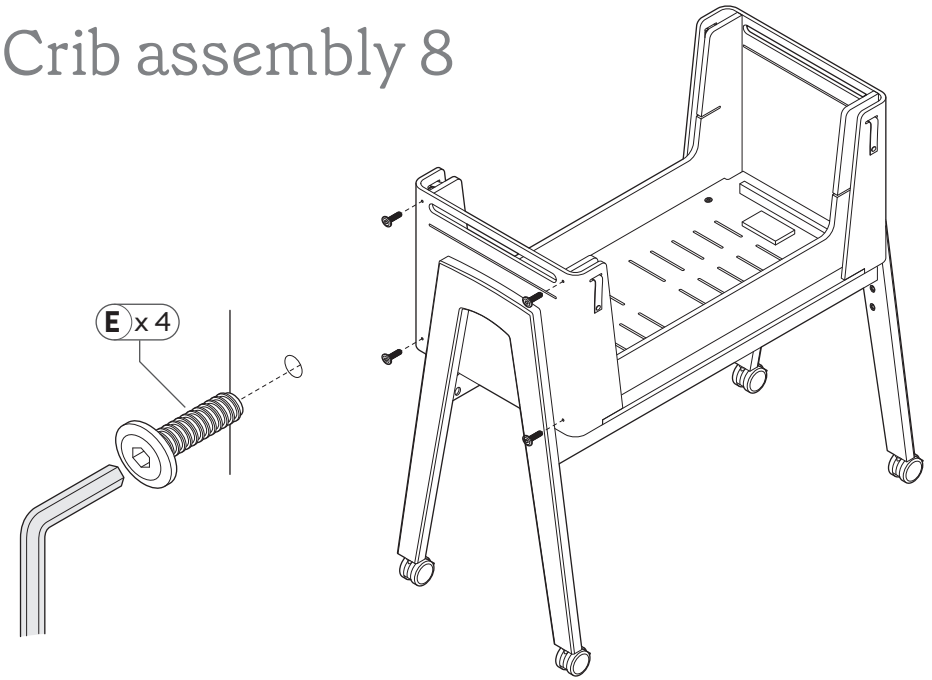
Crib assembly 6



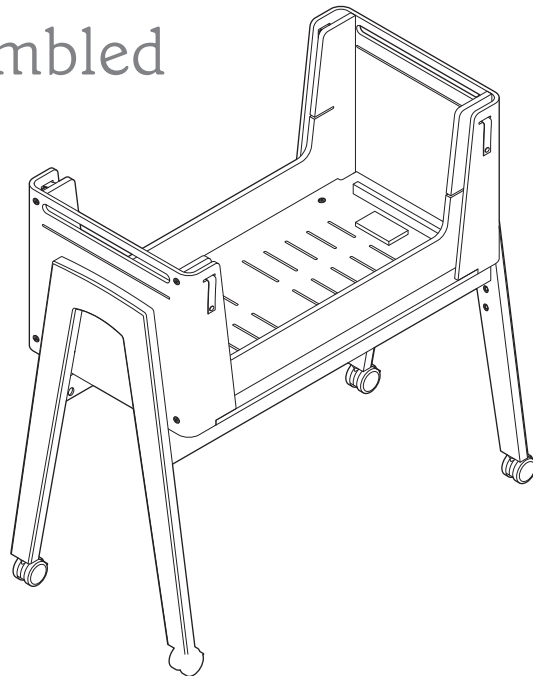
Crib assembly 7



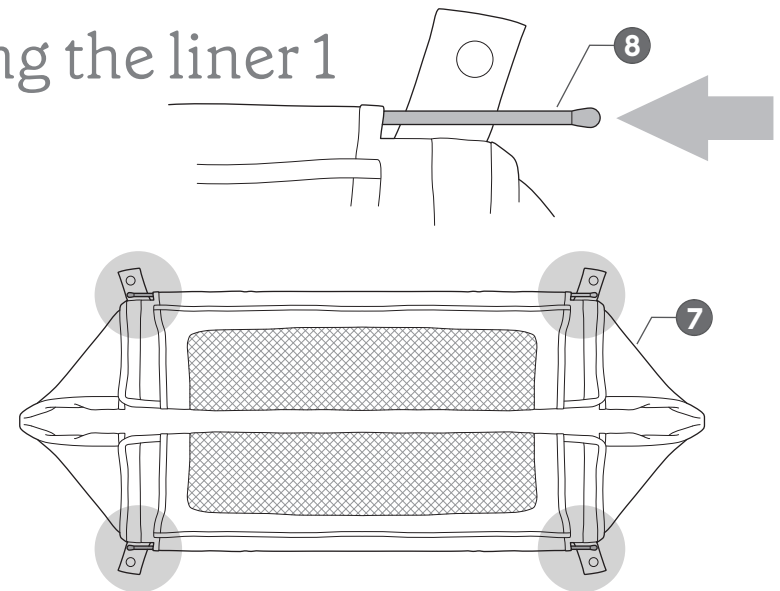
Crib assembly 8



Crib assembled



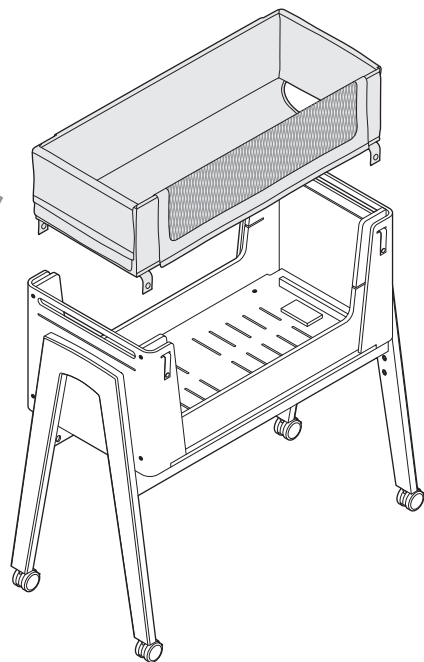
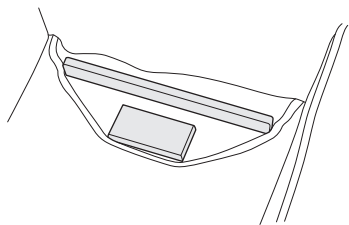
Fitting the liner 1



Insert the two metal rods (8) into the sleeves in the tops of the fabric liners (7) sides.

Fitting the liner 2

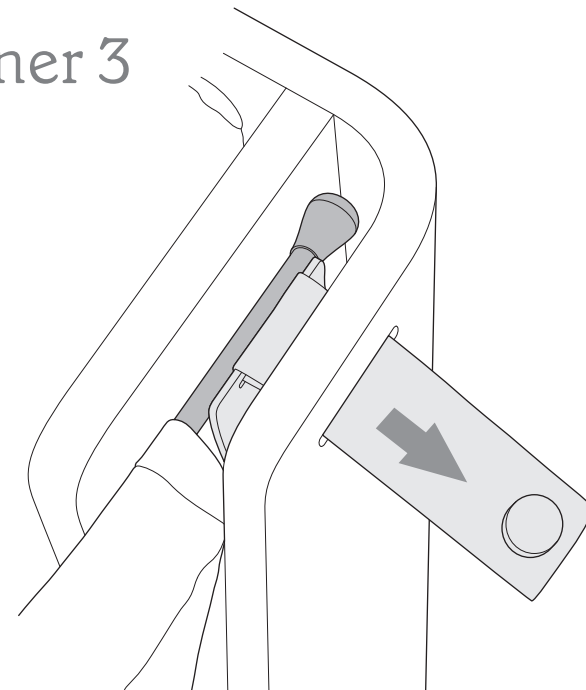
IMPORTANT: Place the liner in the crib ensuring the open end of the liner is at the same end as the two blocks attached to the base as shown below.



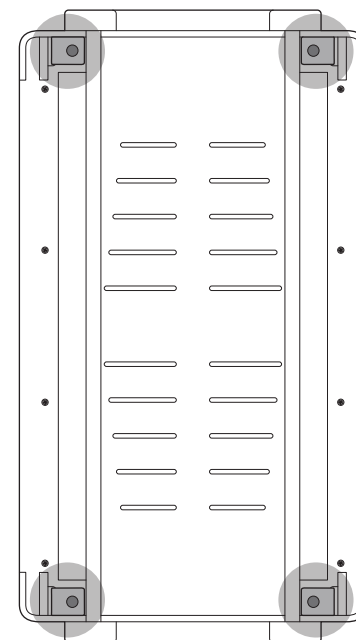
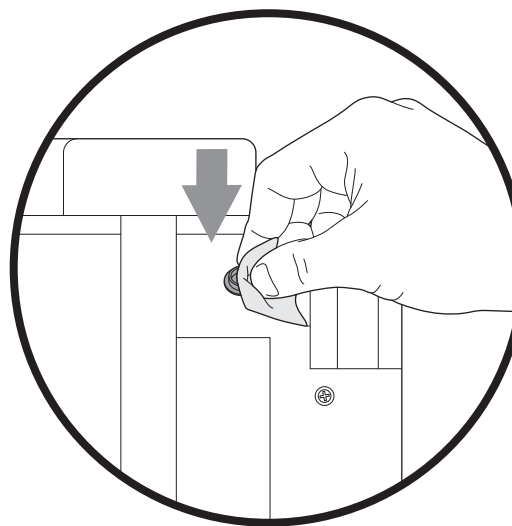
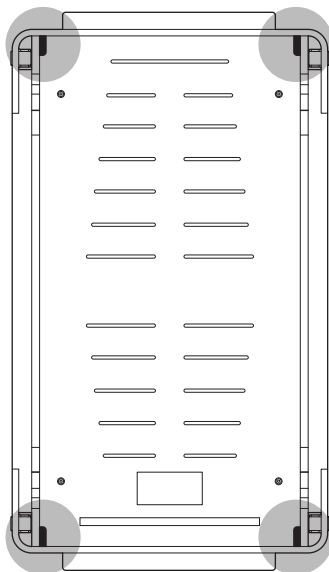
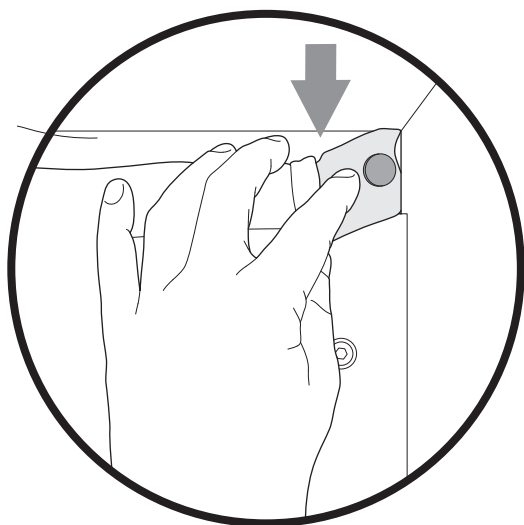
Fitting the liner 3

Slot the ends of the metal rods into the gaps between crib sides and the crib ends.

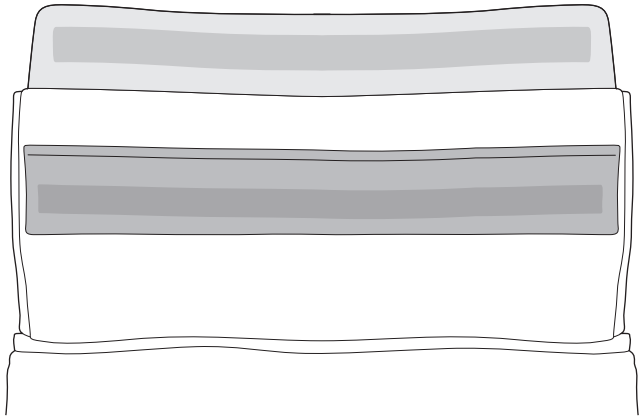
Pull the fabric straps attached to the clips outwards and lower the metal rods slide into the gap between the crib side and ends.



Fitting the liner 4

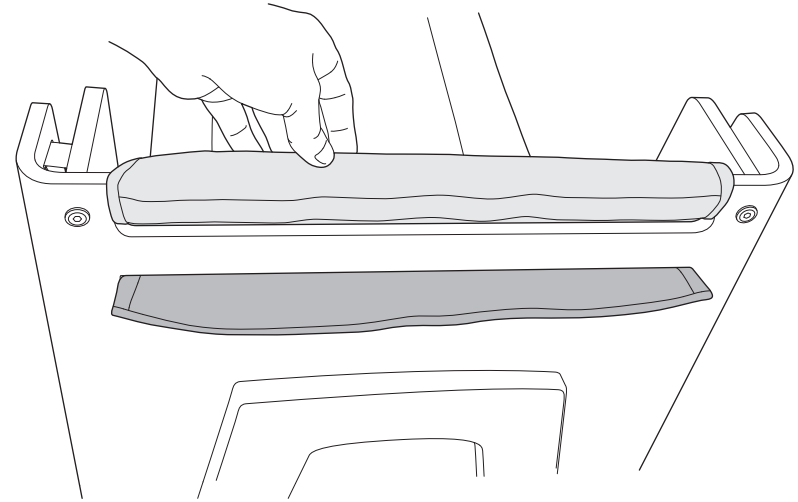


Fitting the liner 5



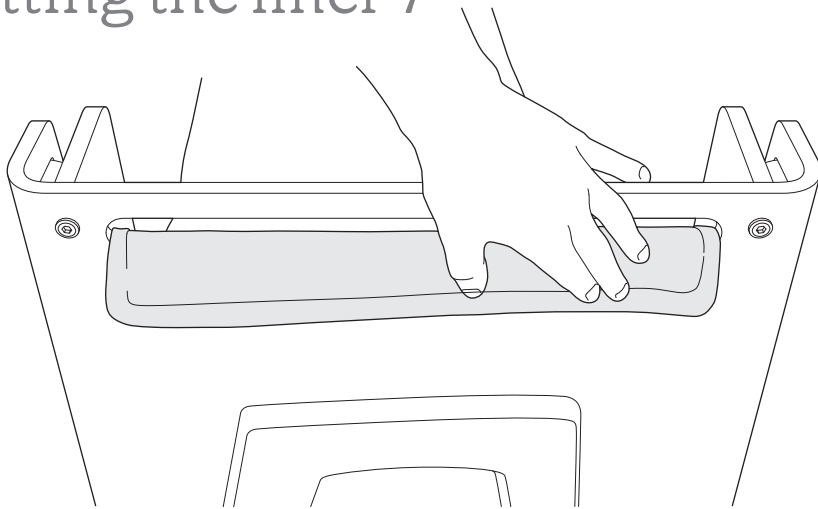
Separate the two velcro tabs on the ends of the fabric insert.

Fitting the liner 6



Slot the two tabs on the fabric insert through the holes on the top of the end panels.

Fitting the liner 7

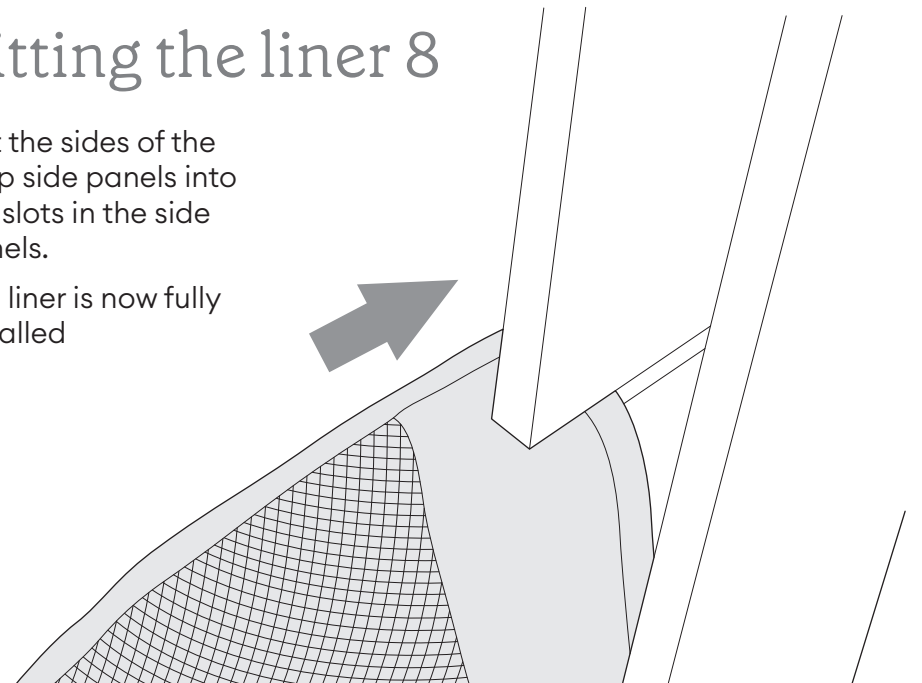


Press the two velcro tabs together to fasten the end panels of the fabric insert to the crib ends.

Fitting the liner 8

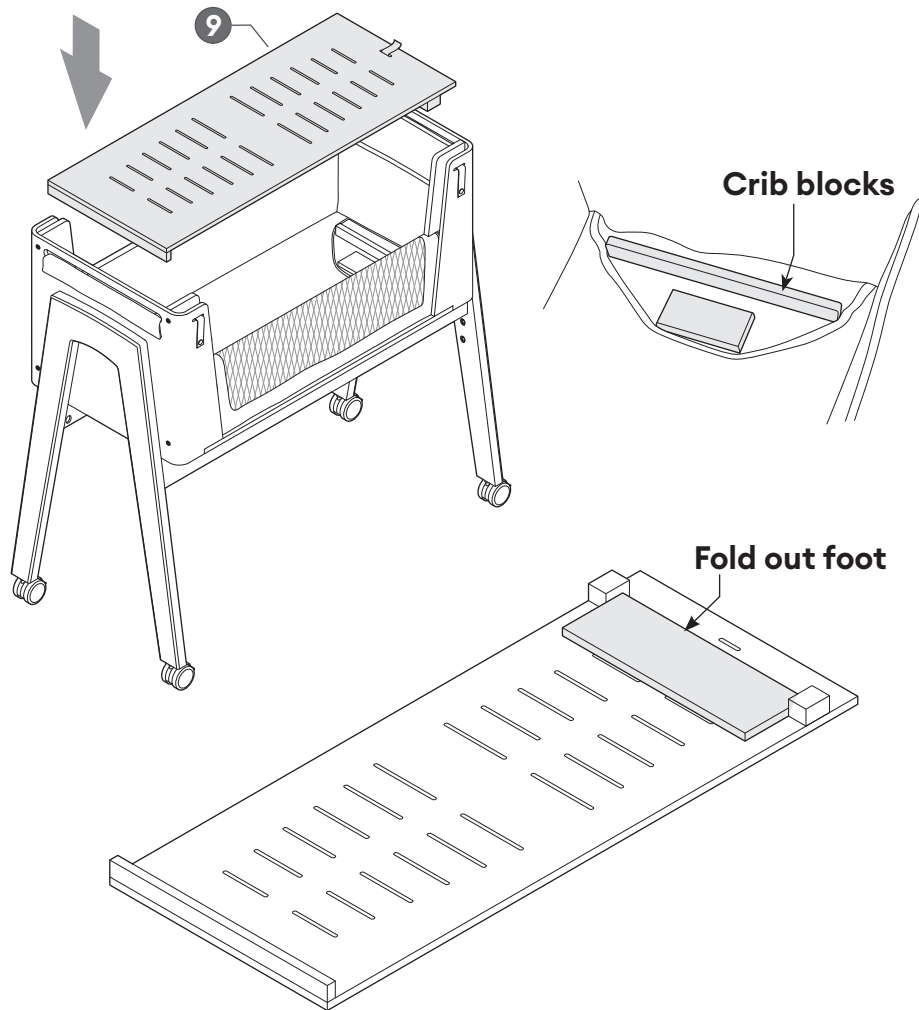
Slot the sides of the drop side panels into the slots in the side panels.

The liner is now fully installed



Inserting the upper base

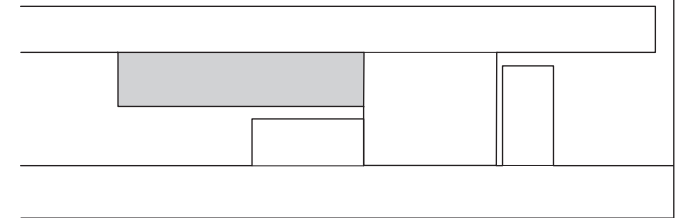
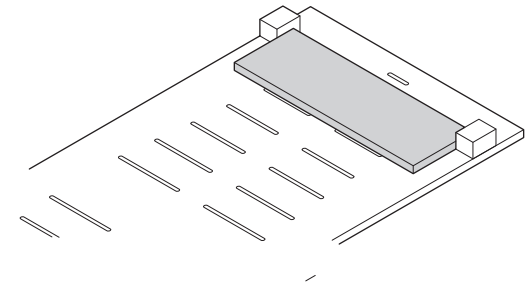
IMPORTANT: Ensure the fold out foot on the underside of the upper base is at the same end of the crib as the exposed blocks in the crib.



Adjusting the upper base

Flat position

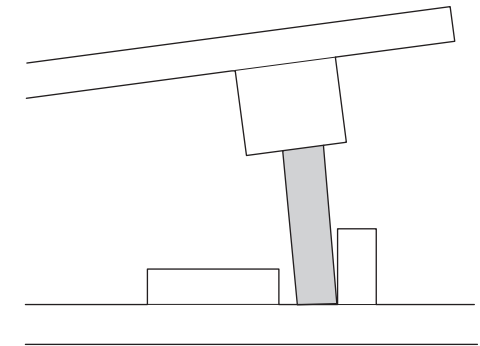
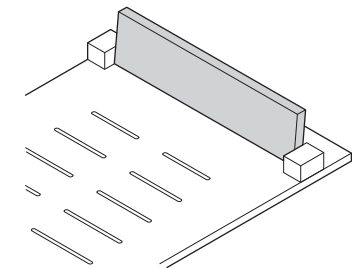
This position is used when the baby is going to sleep in the crib. Ensure the fold out foot is flat against the base.



Reflux position Use this position when you lay your baby down after feeding it. Rotate the folding foot outwards and place the upper base into the crib ensuring the fold out foot is placed between the raised sections on the lower base.

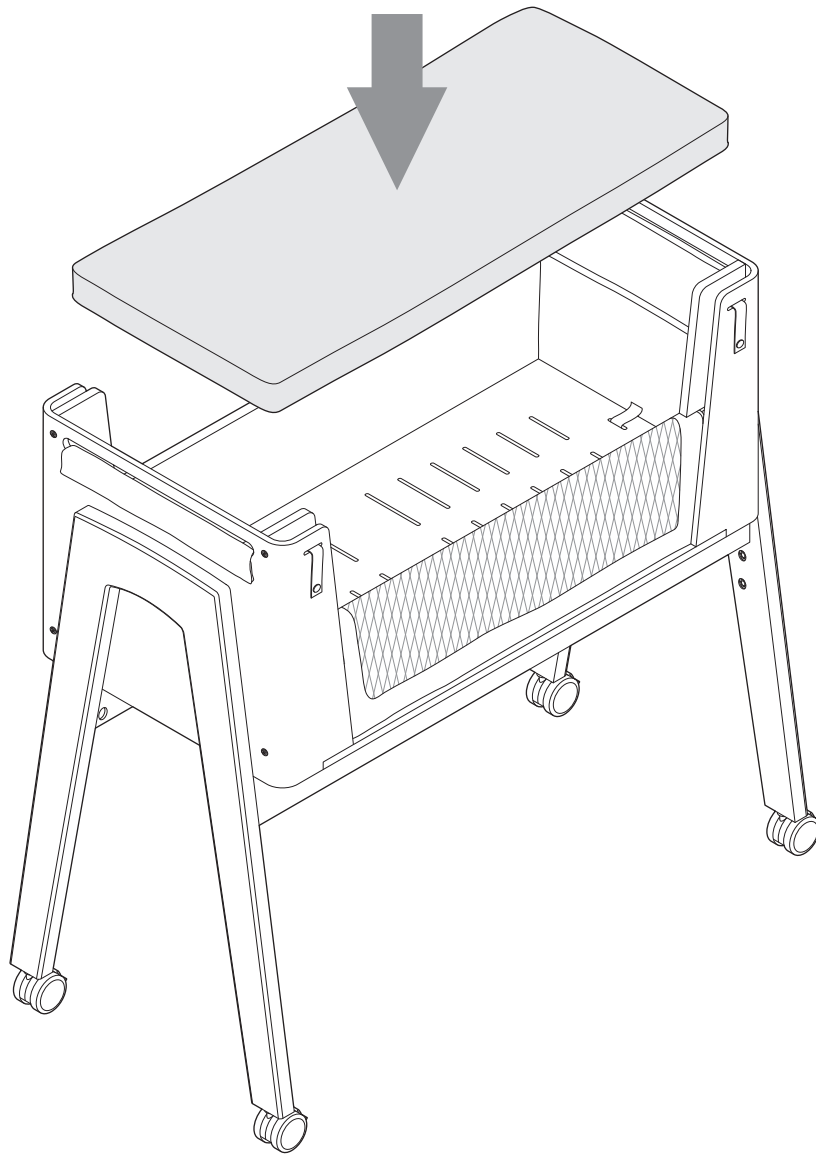
IMPORTANT: NEVER adjust the upper base with the baby in the crib.

WARNING: The reflux setting can only be used with both drop side panels of the crib fully raised and fastened.



Fitting the mattress

IMPORTANT: NEVER place a baby in the crib without the mattress placed inside it.



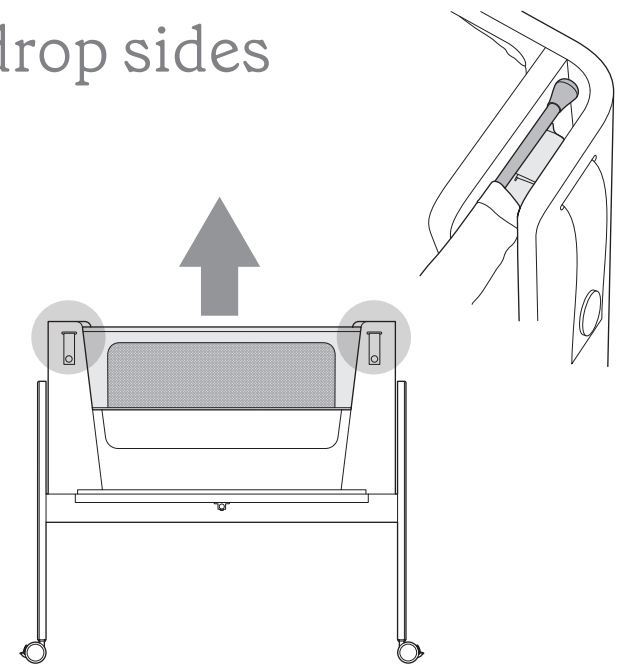
Using the drop sides

Raising the drop-sides:

Grip both ends of the bar as close to the edge as possible.

Lift upwards until the drop side is above the clip.

Fasten the press studs.



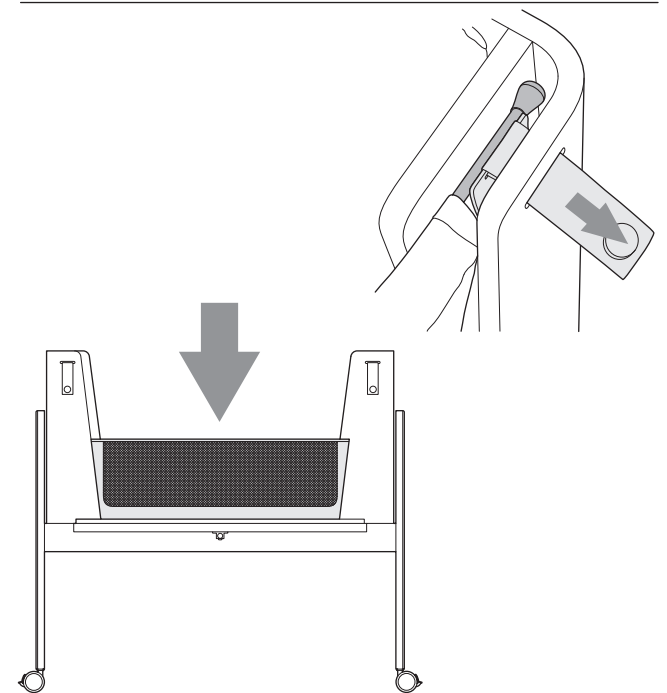
Lowering the drop-sides:

Unfasten the press studs on the straps.

Pull the strap towards you and lower the rod down past the top of the clip.

Repeat on the other side.

Lower the top of the drop-side until it rests on the base of the crib.



Using the attachment straps

1. (For easier installation, during fixing of the buckles, we suggest that the crib is kept at a short distance from the parent's bed). Wrap the strap (G) around the front legs of the cribs frame as shown in diagram **A**. You may find this easier if the crib is removed first. See page 17 for information on how to remove the crib.

Note: The straps used to attach the crib to the bed can be fitted in two different ways according to the bed you want to attach the crib to.

2. **Attaching to the mattress:** Pass the straps under the bottom of the mattress and then over the top. Slot the two sections of the buckle together until they lock (diagram **B**).

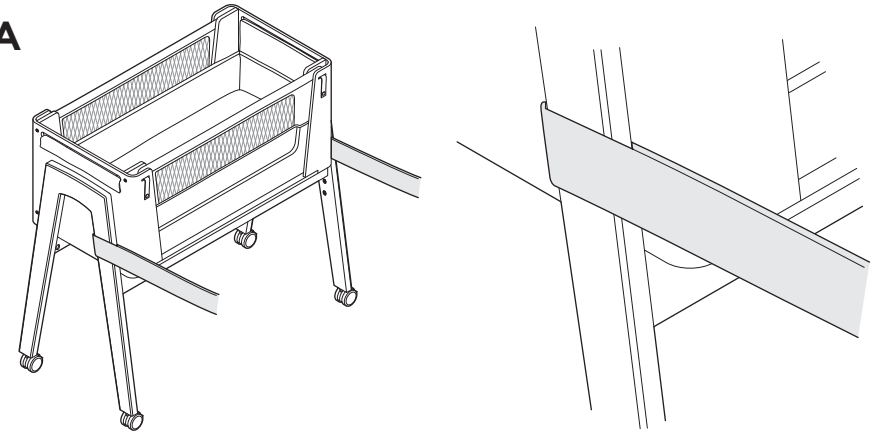
Attaching to the bed frame: Remove the mattress, pass the straps under the bed frame and then over the top. Slot the two sections of the buckle together until they lock (diagram **C**).

3. Tighten the loops by pulling the loose ends of the firmly to remove any slack (diagram **D**).

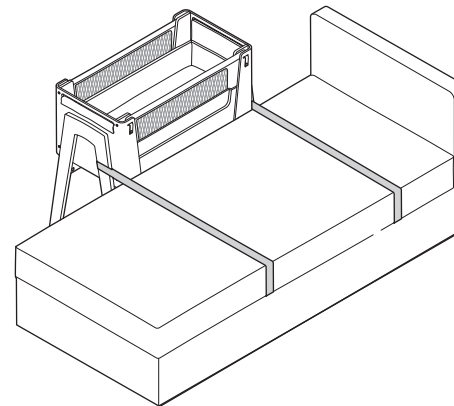
IMPORTANT: When tightening the straps, ensure you do not over tighten the straps causing the rear castors to come off the ground.

IMPORTANT: Please ensure that you have read all safety instructions before using the Bedside Adapter.

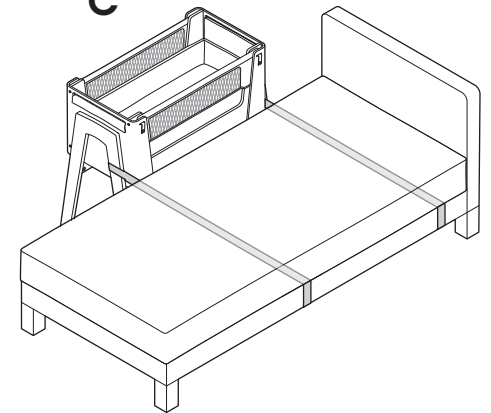
A



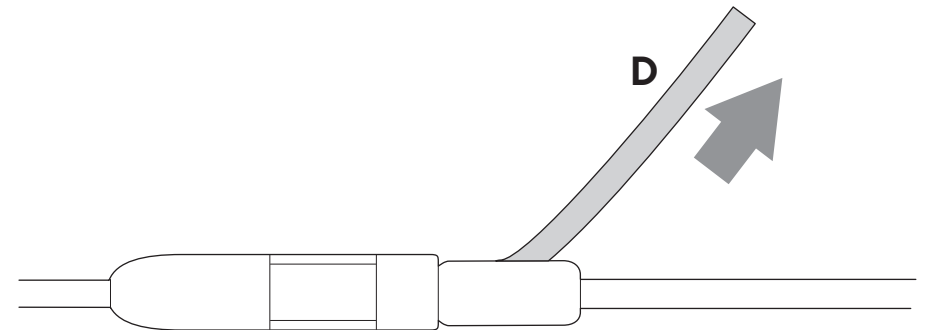
B



C

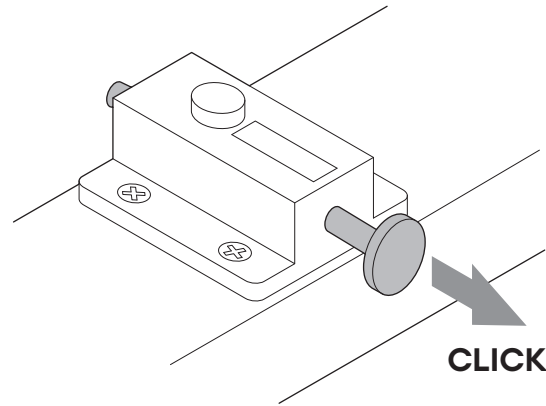


D



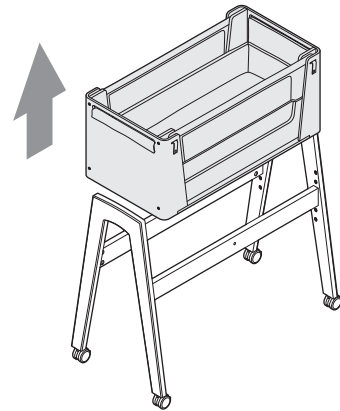
Removing the crib from the stand

Pull the locking pins on the base rails under the base of the crib outwards until they lock in place with a **CLICK**.



Lift the crib off the stand and place it on the floor.

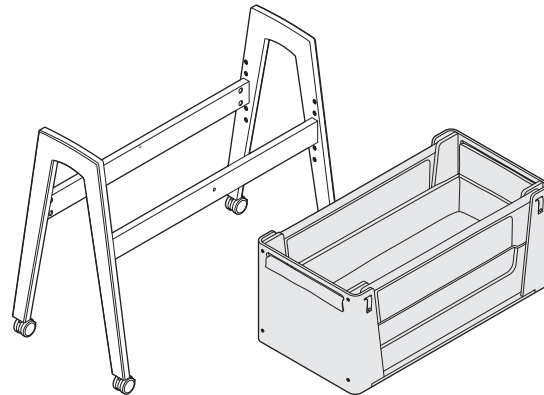
Important: NEVER remove the crib section with a baby in it.



You can also use the crib section off the stand.

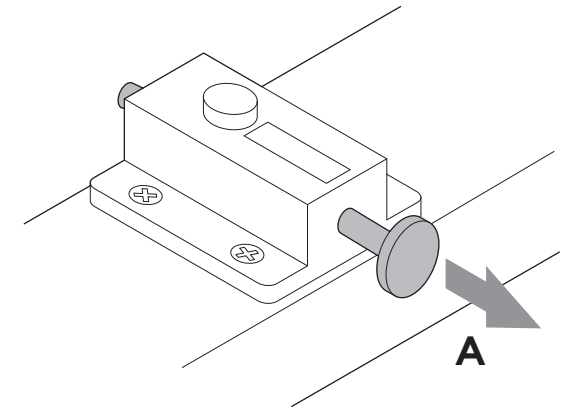
Ensure the crib section is on a level surface.

Important: NEVER place the crib on a raised surface other than the stand provided with it.



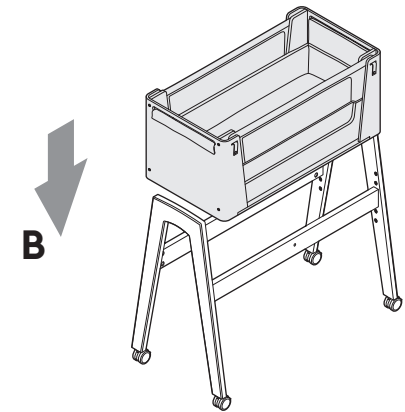
Fitting the crib to the stand

Pull the locking pins on the base rails under the base of the crib outwards until they lock in place with a **CLICK (A)**.



Lower the crib onto the stand (**B**).

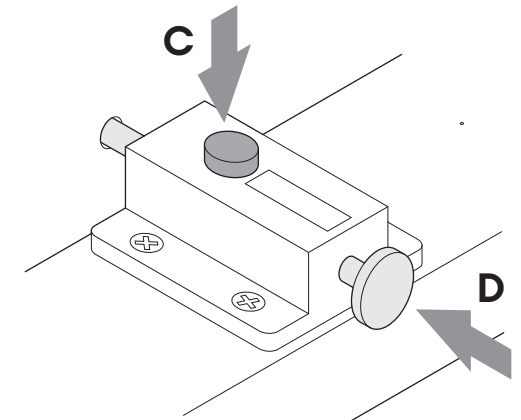
IMPORTANT: Ensure the base rails on the crib are positioned over the rails on the stand.



Check the pins on the locks are aligned with the locking holes in the stands rails.

Press the release button (**C**) on the lock to release the pin (**D**).

Ensure the pins are in the holes on the stand rails.



Notes

Notes

Manufacturer Warranty

All Gaia Baby furniture carries a full 2 year manufacturer's warranty.

The warranty does not cover wear & tear or damage caused by the product not being used in accordance with correct care instructions.

The warranty period is effective from date of purchase. The warranty applies to product presented with an original receipt or proof of purchase. The warranty applies to the territory in which the product was purchased.

During the warranty period, Gaia Baby will repair or replace any defective part.

In the event of a product being replaced in entirety, the guarantee on the replacement will expire two years from the original purchase date.

This is a natural wood product. Some variation in surface finish and colour may occur. While every attempt is made to colour match replacement parts, colour matching cannot be guaranteed.

This guarantee excludes accidental damage, misuse and or damage caused by improper transport or handling.

This warranty is void if the original product has been altered in design or colour in anyway and/ or if not presented with an original receipt as proof of purchase.



Gaia Baby Limited

#2, Kinsealy Business Park,
Malahide
Dublin K36 DK81
Ireland

Web:

www.gaia-baby.com

Email:

customercare@gaia-baby.com