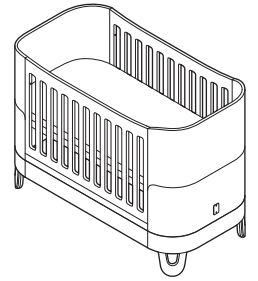


COMPLETE SLEEP COT

Assembly instructions

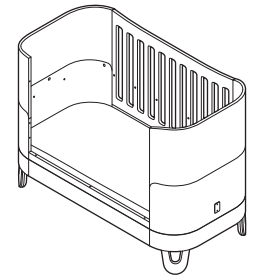
MAXI COT

0 to 3 year +



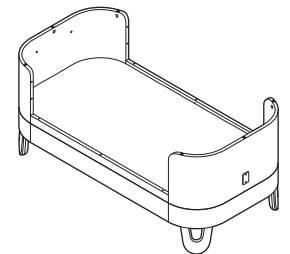
TODDLER
BED

3 to 4 year +



FIRST
BED

4 to 5 year +



**IMPORTANT: Please read
carefully and retain for
future reference**

Maxi cot / Toddler bed / First bed safety information

IMPORTANT: READ THESE INSTRUCTIONS CAREFULLY AND RETAIN FOR FUTURE REFERENCE

INSTRUCTIONS FOR SAFE USE

- **WARNING:** Be aware of the risk of open fires and other sources of strong heat, such as electric bar fires, gas fires, etc. in the near vicinity of the cot.
- **WARNING:** Do not use the cot/bed if any part is broken, torn or missing and use only spare parts approved by Gaia baby.
- **WARNING:** Do not leave anything in the cot or place the cot next to another product which could provide a foothold or present a danger of suffocation or strangulation, e.g. strings, blind/curtain cords, etc.
- **WARNING:** Do not use more than one mattress in the cot.
- **WARNING:** When converted to a child's bed, do not place this bed near heat sources, windows and other furniture.
- **WARNING:** To prevent falls, the mattress base of this cot should be adjusted to the lowest position before the child can sit up unaided.

• **Recommend mattresses sizes:**

Maxi Cot: 135cm long x 65cm wide x 10cm depth

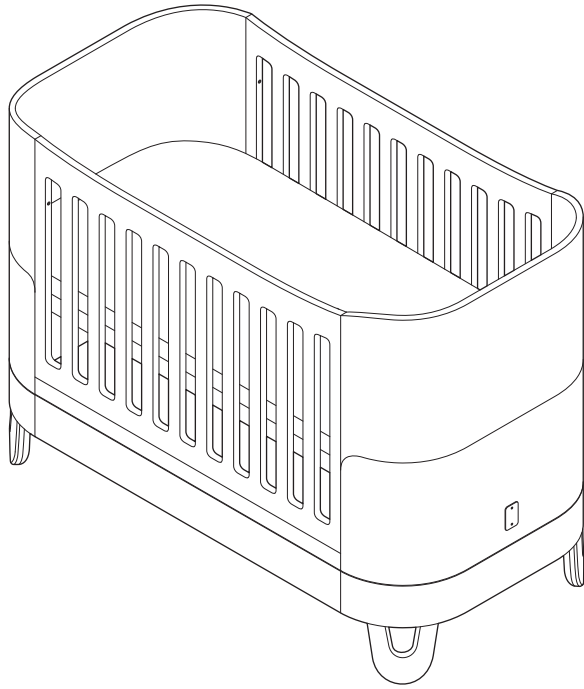
Toddler bed: 1350mm long x 650mm wide x 100mm depth.

First bed: 135cm long x 65cm wide x 10cm depth.

- The line engraved on the cot side indicates the maximum thickness of a mattress that can be used with this cot when the bed base is in the top position.
- The thickness of the mattress chosen shall be such that the internal height (surface of the mattress to the upper edge of the cot frame) is at least 500mm in the lowest position of the bed base and at least

200mm in the highest position of the bed base.

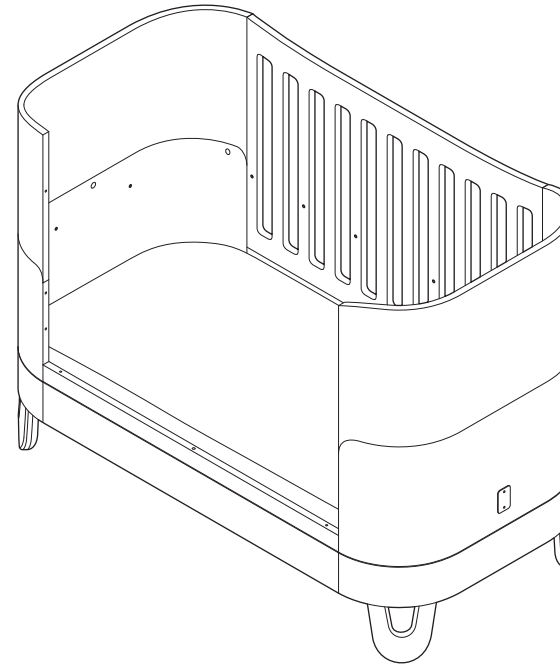
- Children are likely to play, bounce, jump and climb on beds, therefore the child's bed should not be placed too close to other furniture or windows, and should be placed either tight to any wall or have a gap of 300mm between the wall and the side of the bed.
- The mattress should be no more than 30mm shorter or narrower than the internal length or width of the cot.
- Please ensure that all fittings are tightened properly before use. Fittings should be checked and tightened regularly every 2 to 3 weeks.
- Your cot and bed may be cleaned with a damp cloth. Never use bleach or abrasives cleaning agents as this will damaged the surface.
- To prevent injury from falls, once the child is able to climb out of the cot, it should no longer be used for that child. You should now convert to either the Toddler bed or First bed.
- This cot bed is intended for children aged from birth to 4 years approximately.
- When converted to a child's bed, this cot bed conforms to BS 8509:2008 + A1 2011.



MAXI COT

Age range: 0 to 3 years +

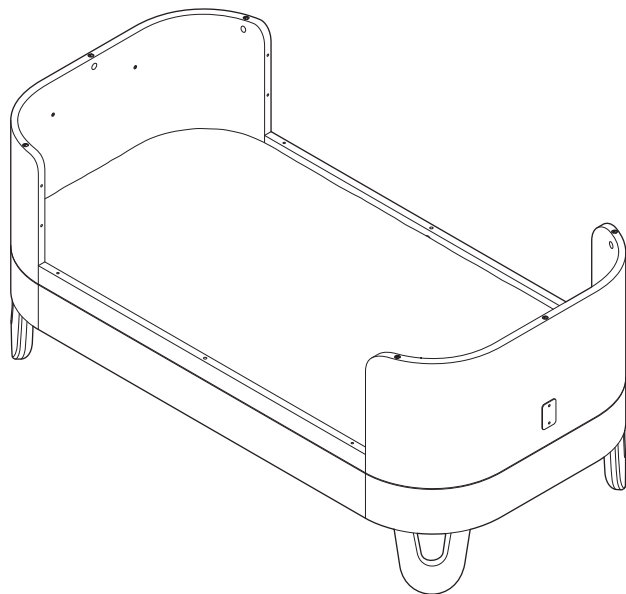
Assembly: Pages 5 to 12



TODDLER BED

Age range: 3 to 4 years +

Assembly: Pages 13 to 14



FIRST BED

Age range: 4 to 5 years +

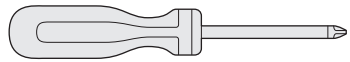
Assembly: Pages 15 to 16

TOOLS



Allen key

Supplied



Cross head screwdriver

Not supplied

IMPORTANT

PLEASE READ CAREFULLY

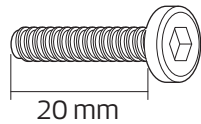
Keep all fittings not used in a safe place away from young children for future use.

Please ensure that bolts & screws are not over-tightened. Failure to do this will result in potential damage.

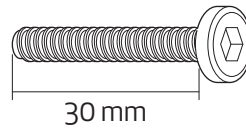
When assembling, do not fully tighten the bolts on the cot/crib sides until the product is fully assembled. This will help with assembly.

MAXI COT FITTINGS

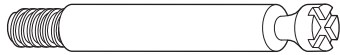
A x12



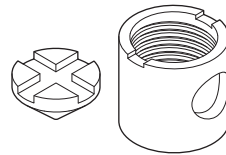
B x36



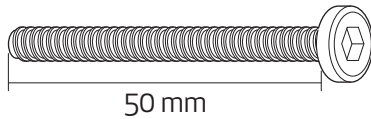
C x6



D x6



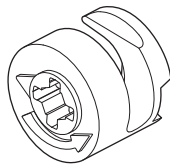
E x16



F x10



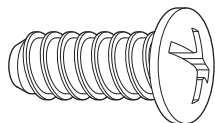
G x10



H x4

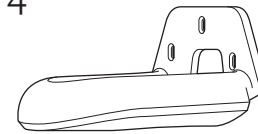


I x6

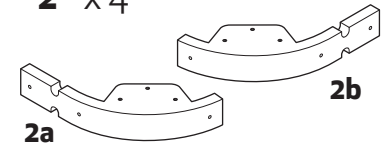


MAXI COT COMPONENTS

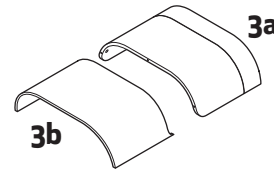
1 x4



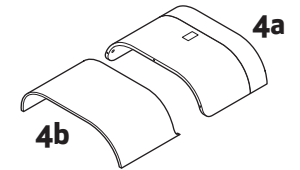
2 x4



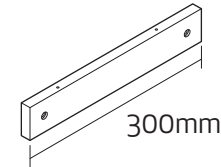
3



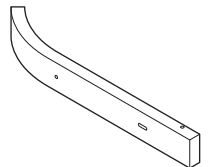
4



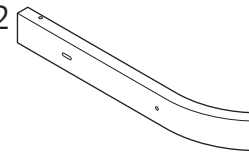
5 x4



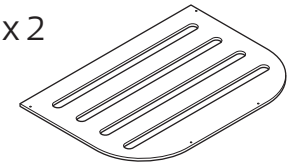
8 x2



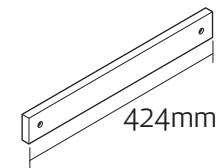
9 x2



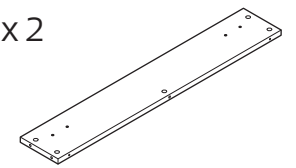
10 x2



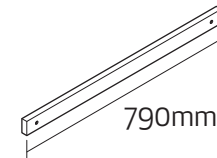
11 x2



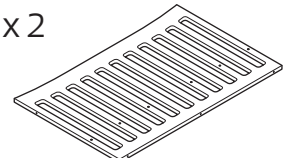
12 x2



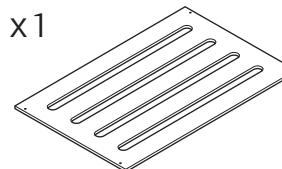
13 x2



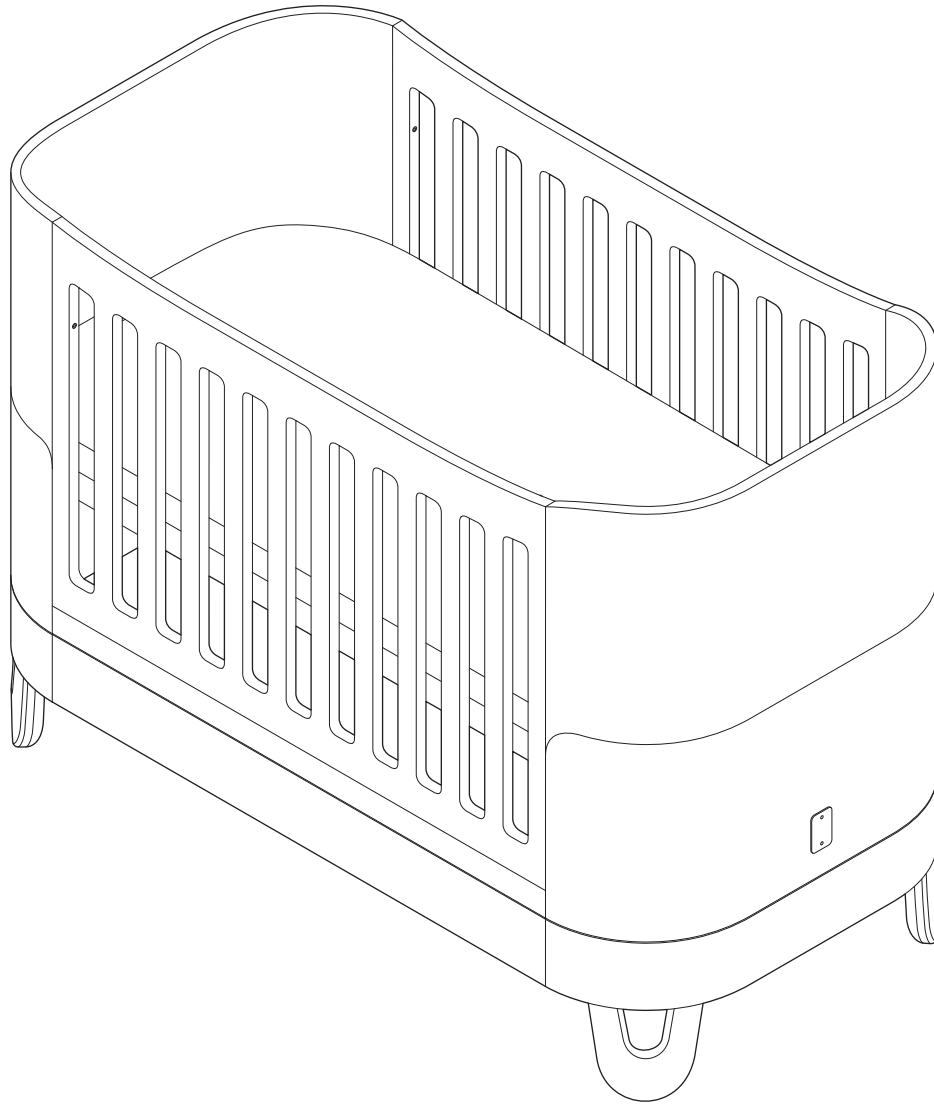
14 x2



15 x1



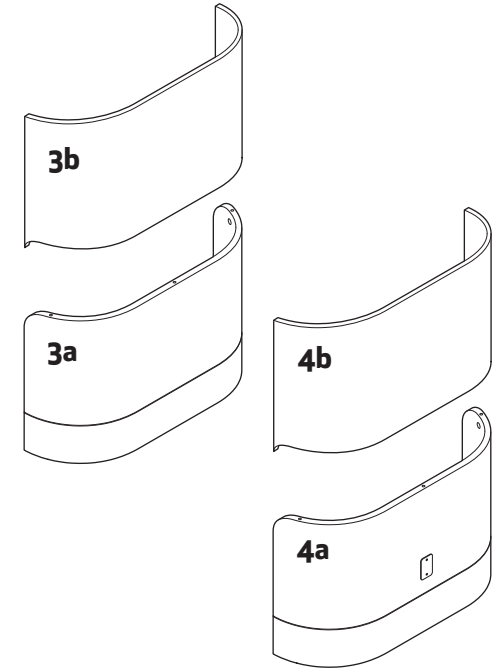
MAXI COT ASSEMBLY



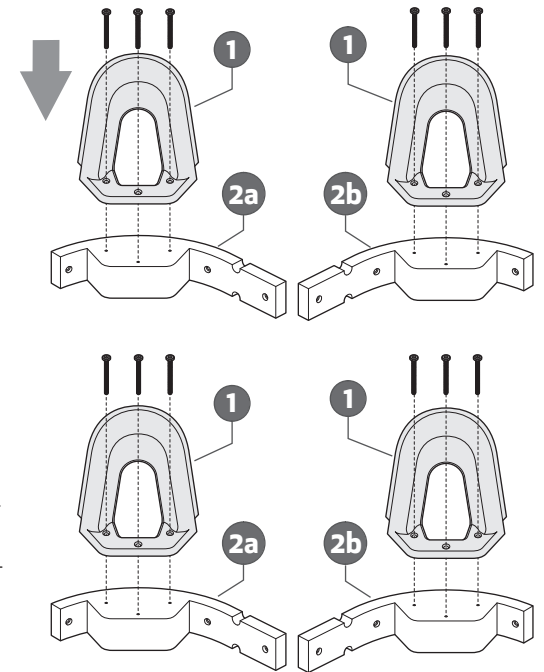
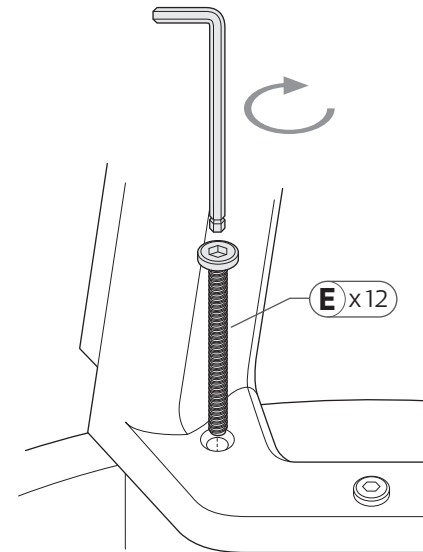
CRIB END INFORMATION

Note: Crib ends **3a** & **3b** are in **BOX 1** and Crib ends **4a** & **4b** are in **BOX 2**.

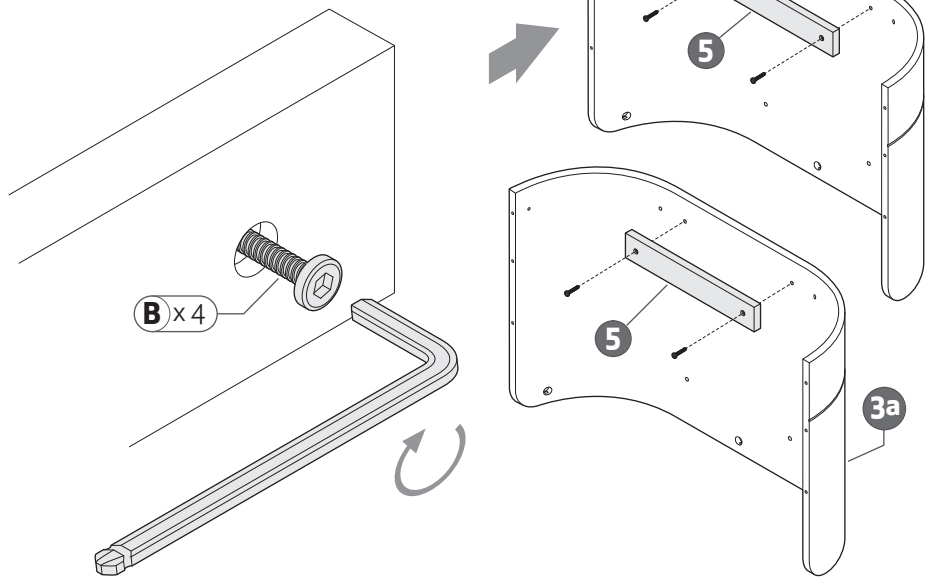
IMPORTANT: Please ensure that parts **3a** & **3b** and **4a** & **4b** are always kept together and used as a pair. Failure to do so will result in potential damage and miss alignment.



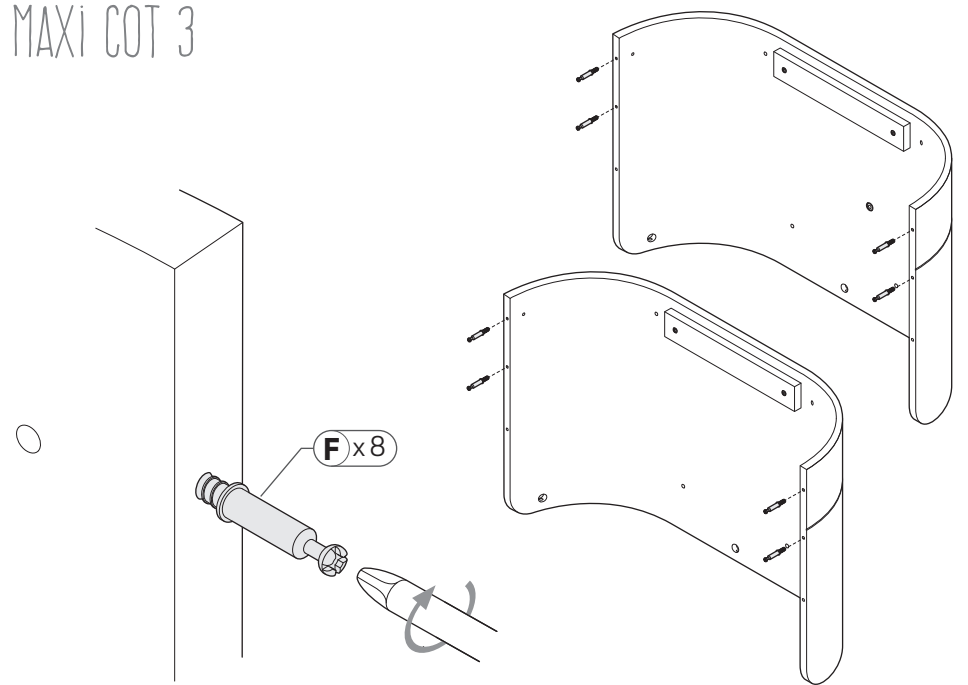
MAXI COT 1



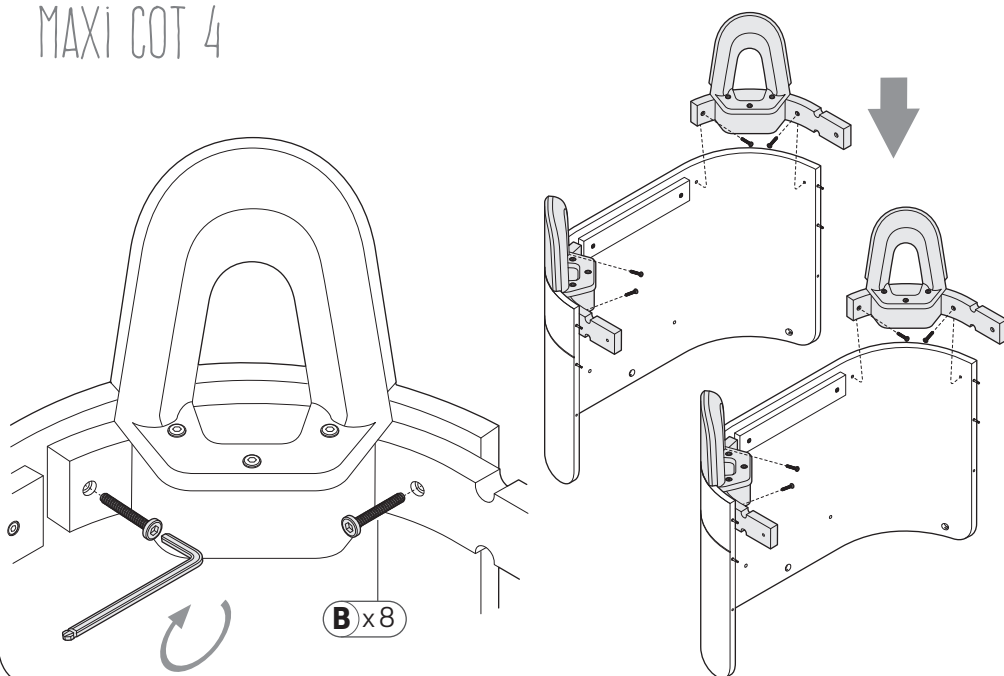
MAXI COT 2



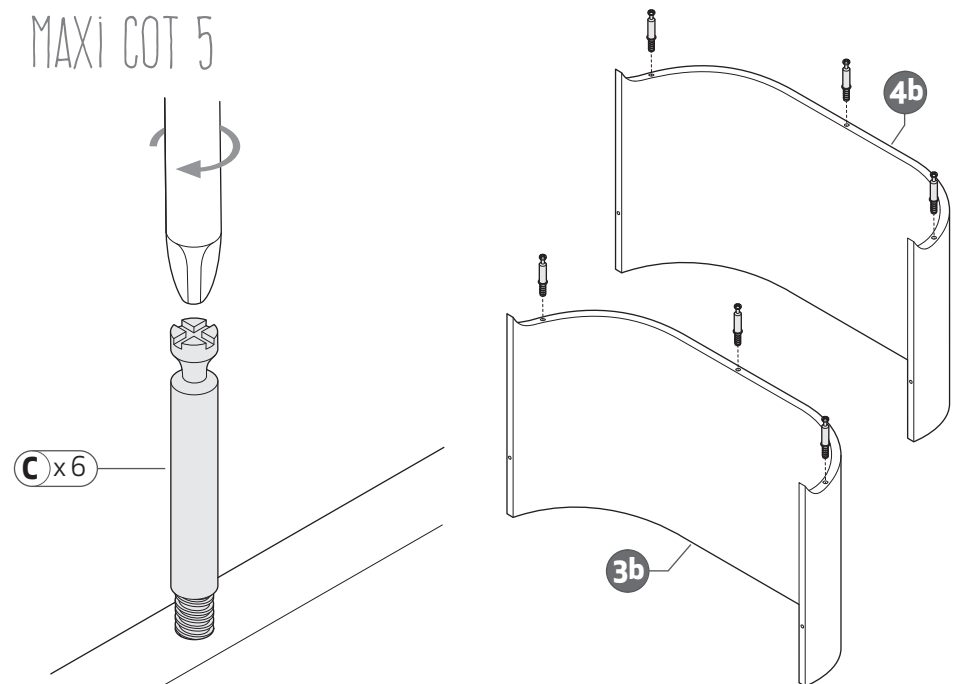
MAXI COT 3



MAXI COT 4



MAXI COT 5

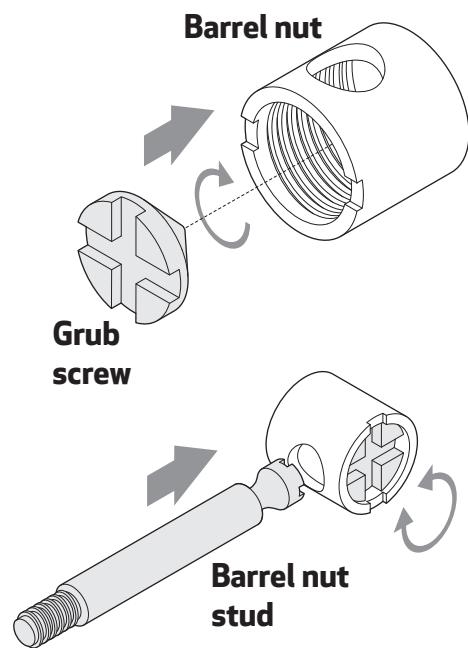


USING BARREL NUTS

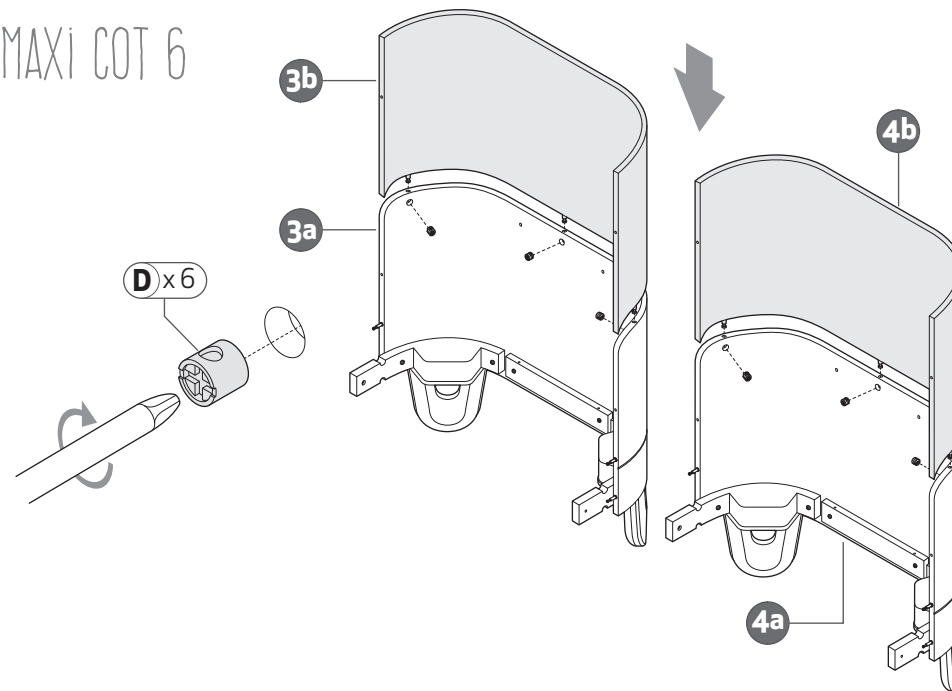
The barrel nuts come in two parts the barrel and the grub screw. Insert the grub screw into the end of the barrel and turn clockwise.

Before inserting the barrel nuts into the holes in the component, ensure the end of the barrel nut stud will fit into the barrel nut.

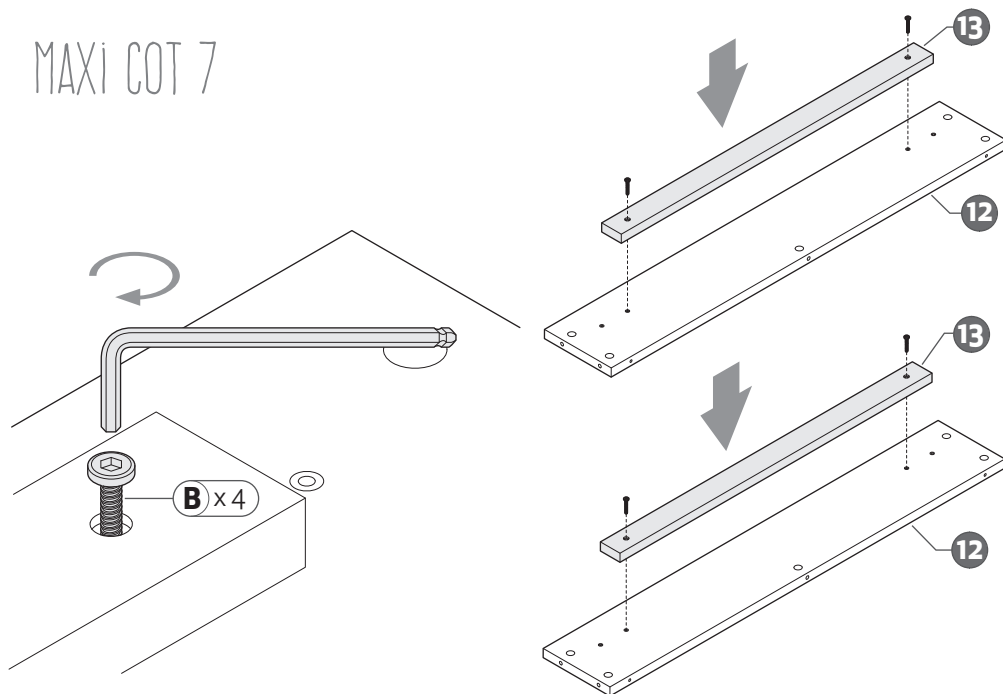
If the stud does not fit turn the grub screw anti-clockwise until the stud can be inserted.



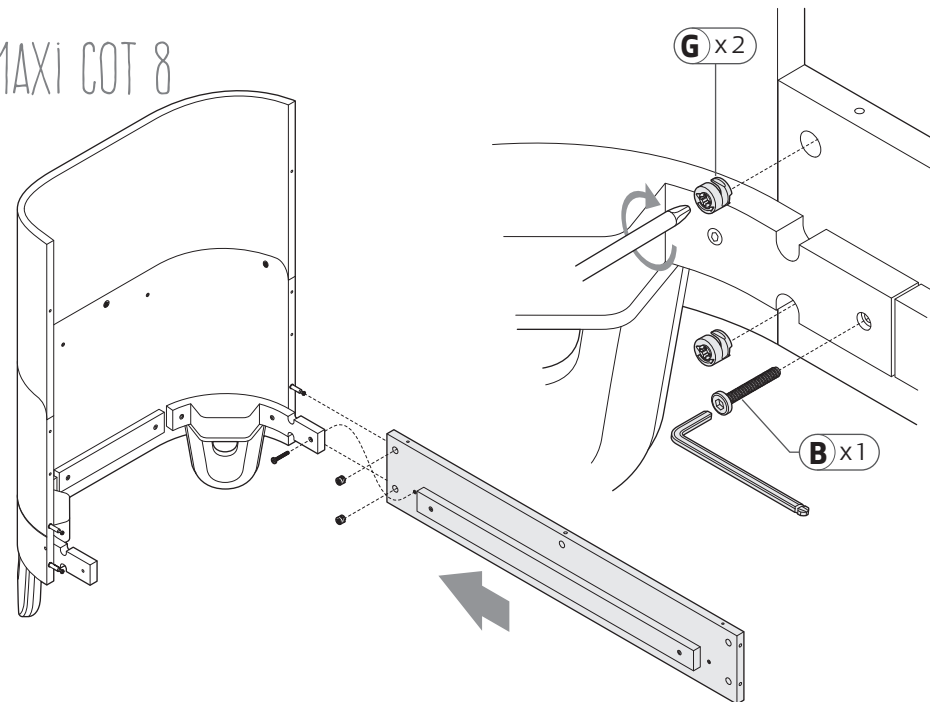
MAXI COT 6



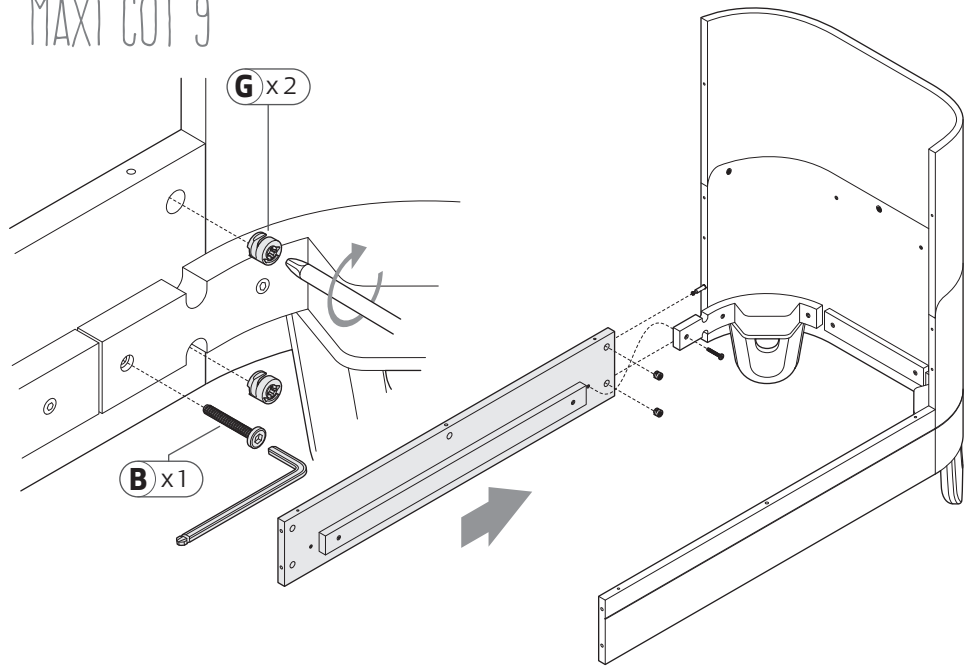
MAXI COT 7



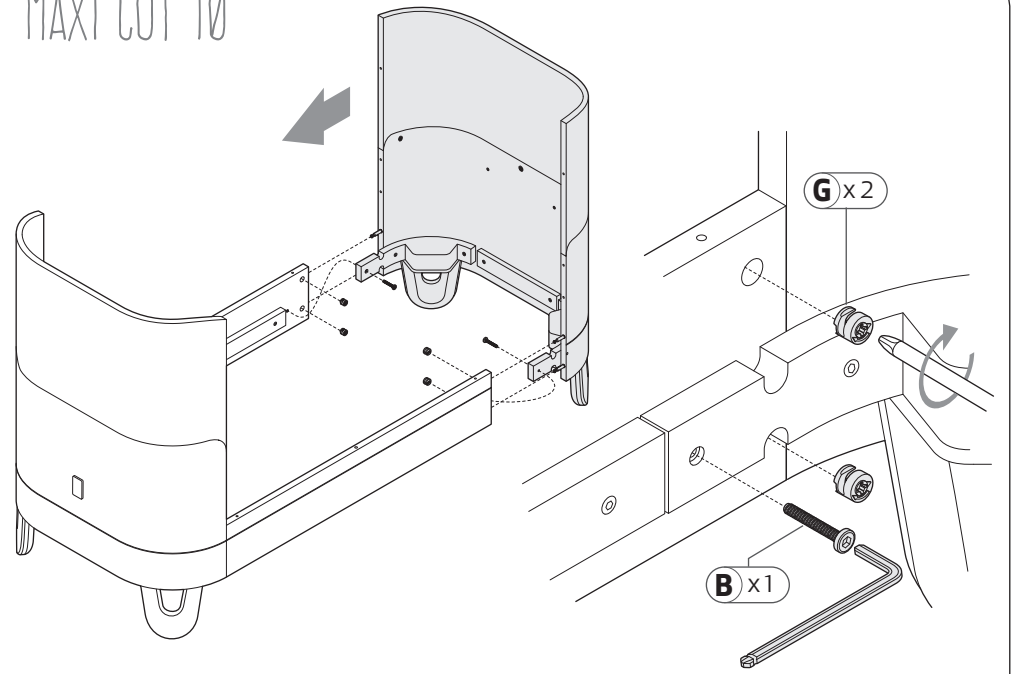
MAXI COT 8



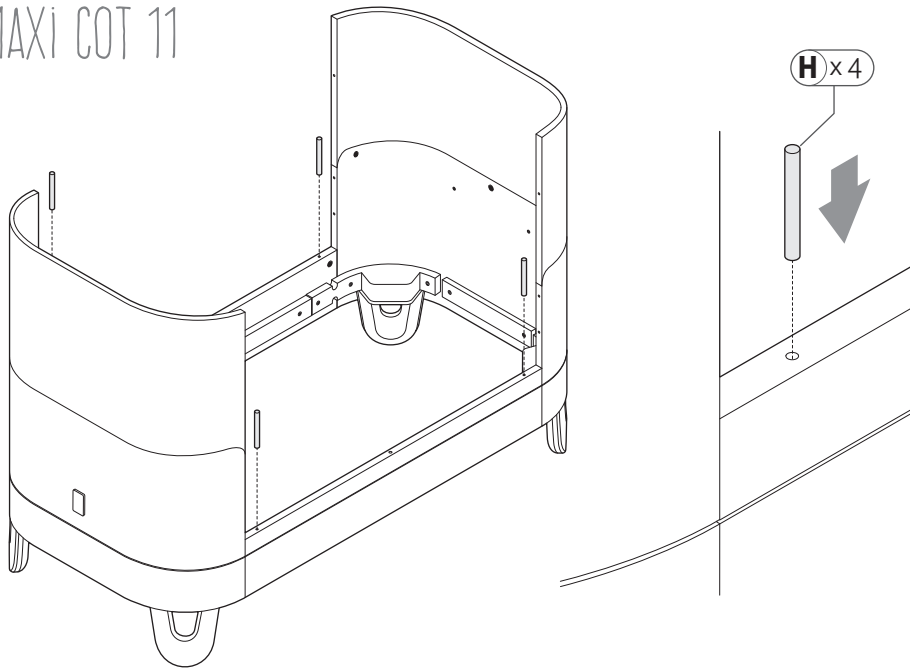
MAXI COT 9



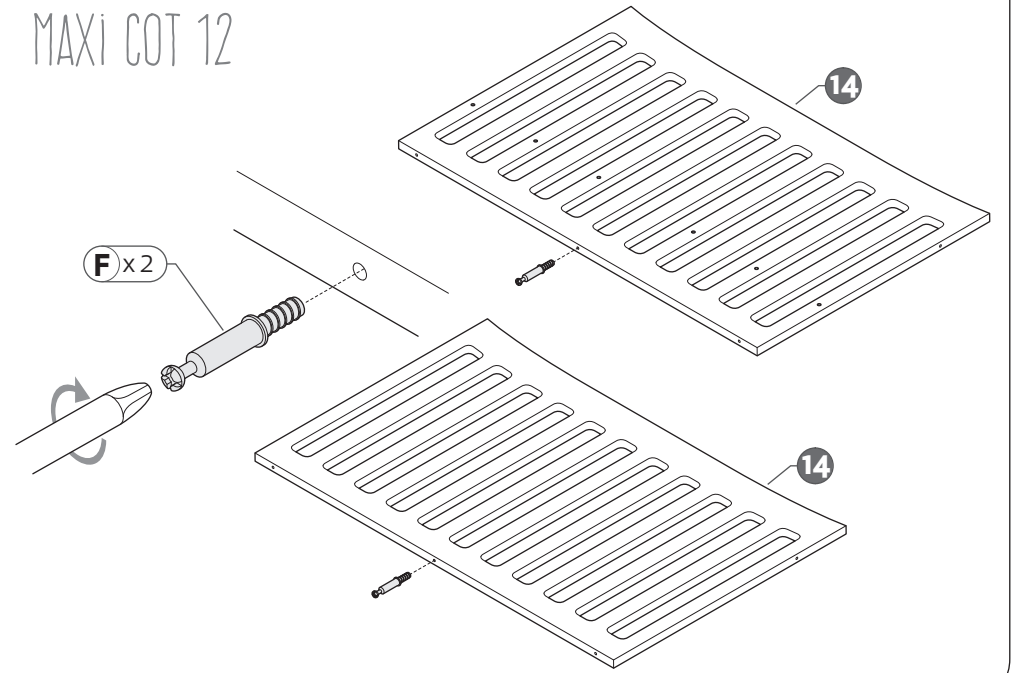
MAXI COT 10



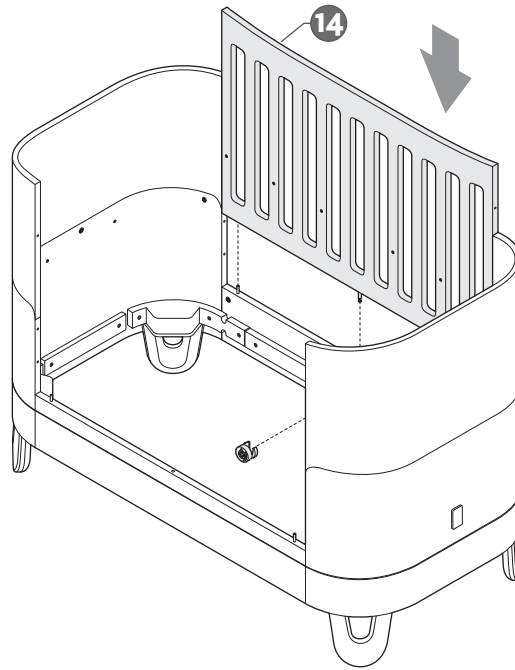
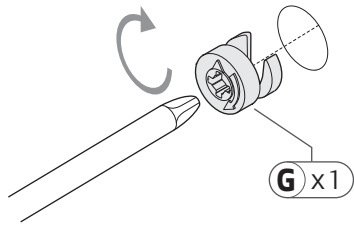
MAXI COT 11



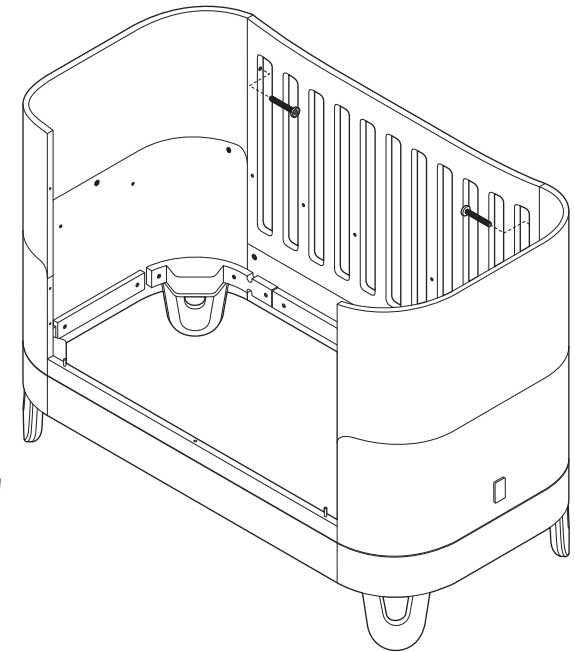
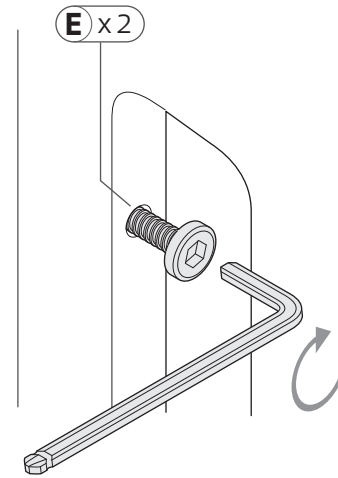
MAXI COT 12



MAXI COT 13



MAXI COT 14



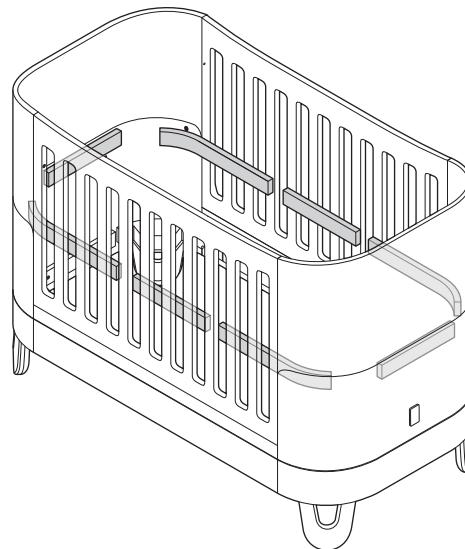
BOTTOM BASE POSITION

Top base position

Use the top base position for newborn babies.

Once the baby can push its self upwards on its hands or starts to pull itself up using the side of the cot, you **MUST** fit the cot base in the bottom position.

IMPORTANT: When fitting the top base position rails, ensure the pilot holes in the rails are facing upwards.

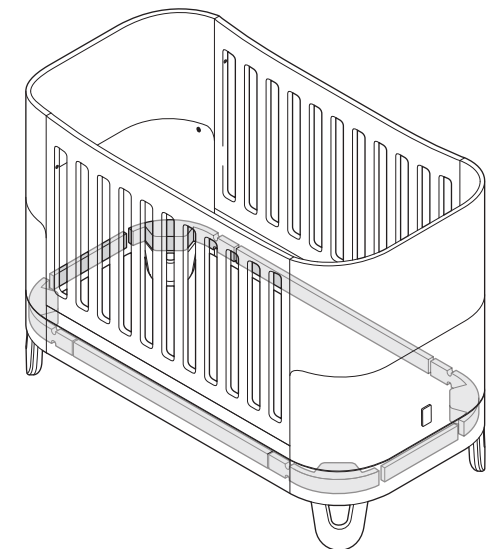


BOTTOM BASE POSITION

Bottom base position

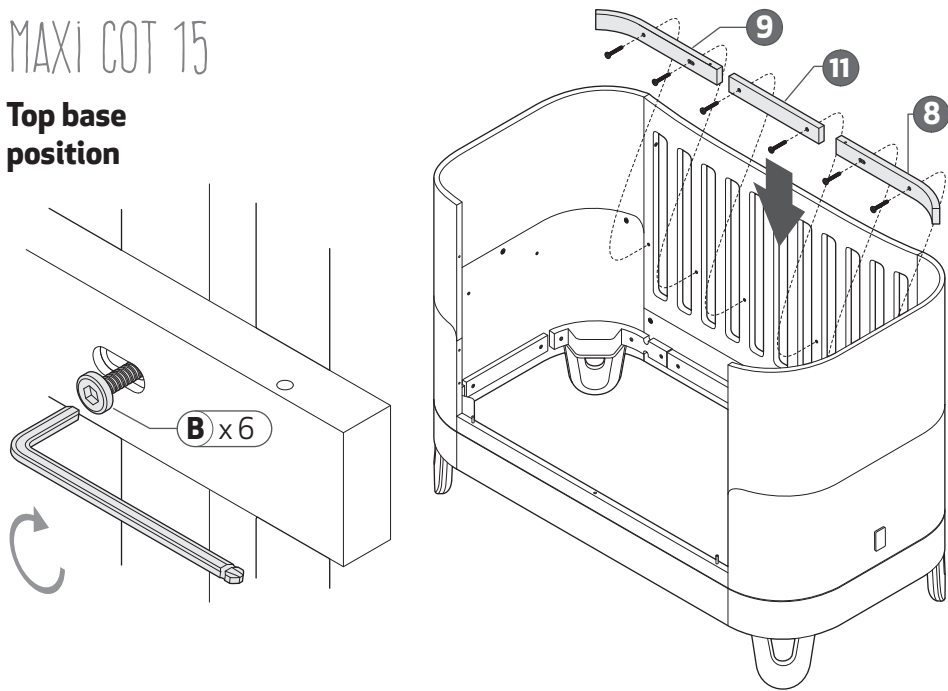
Use the bottom base position for when your baby can push itself up on its hands or starts to pull itself up on the sides of the cot.

IMPORTANT: The bottom base position is the safest position for the cot base



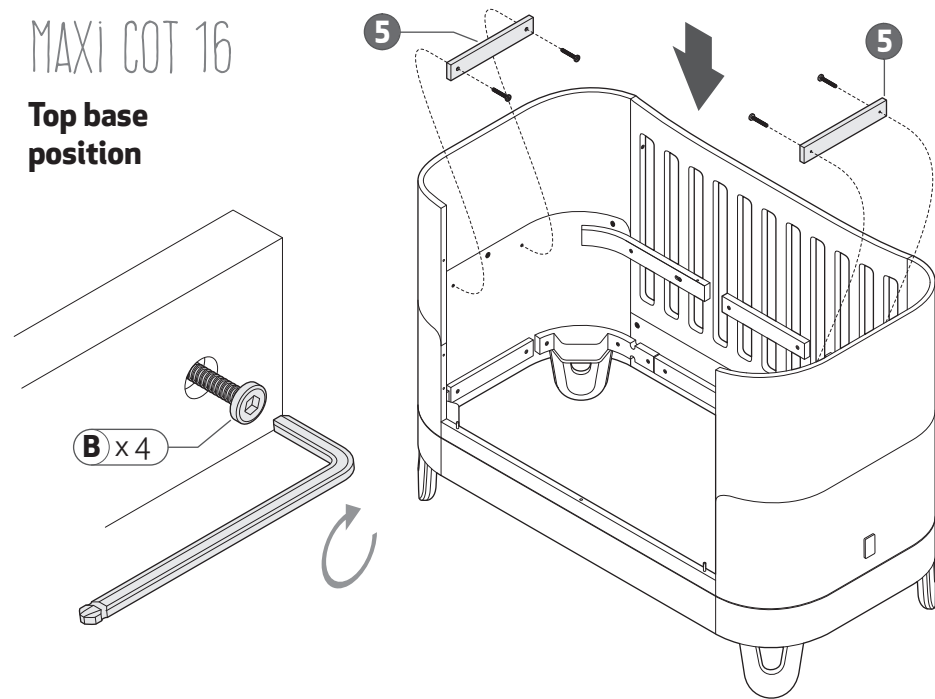
MAXI COT 15

Top base position



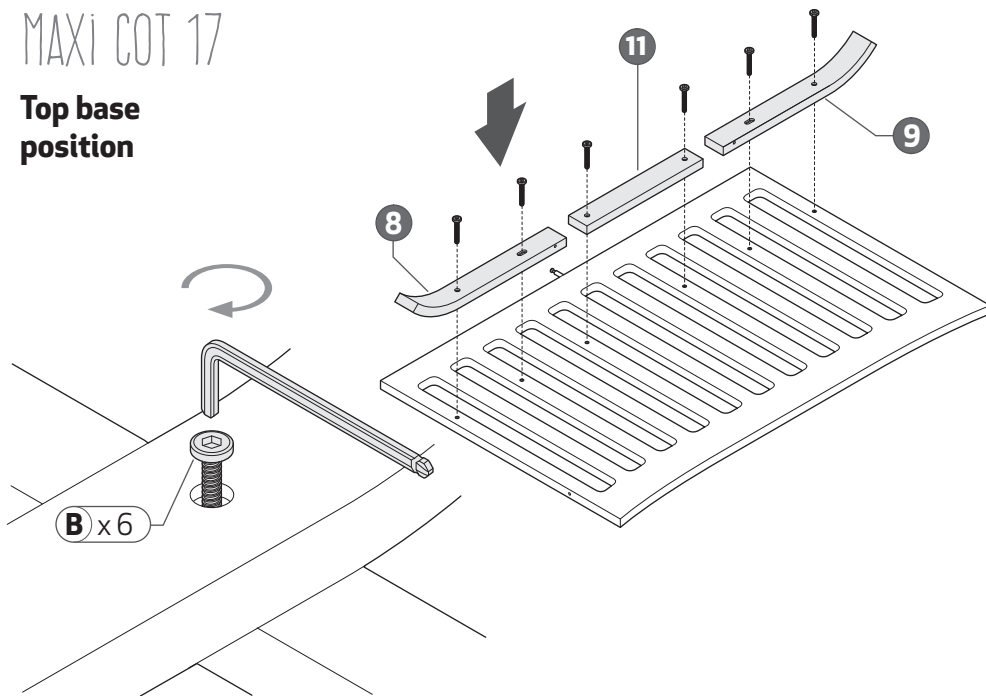
MAXI COT 16

Top base position



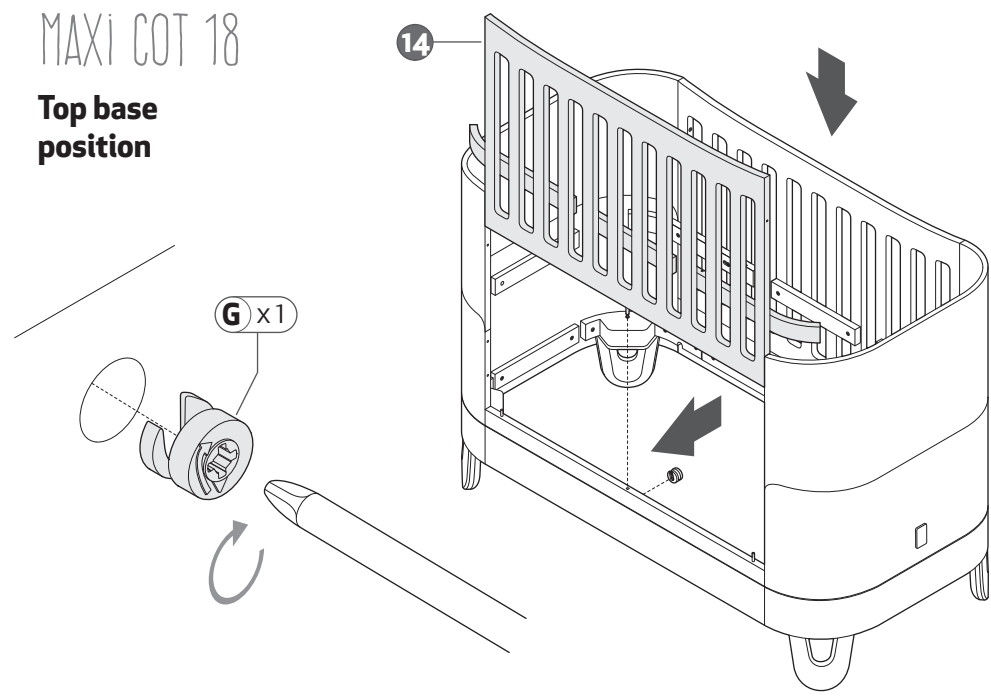
MAXI COT 17

Top base position



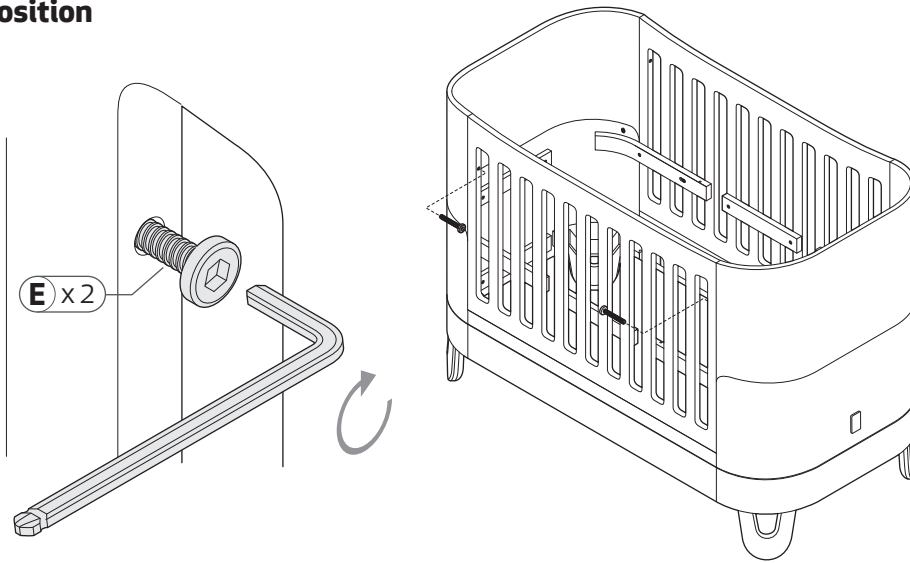
MAXI COT 18

Top base position



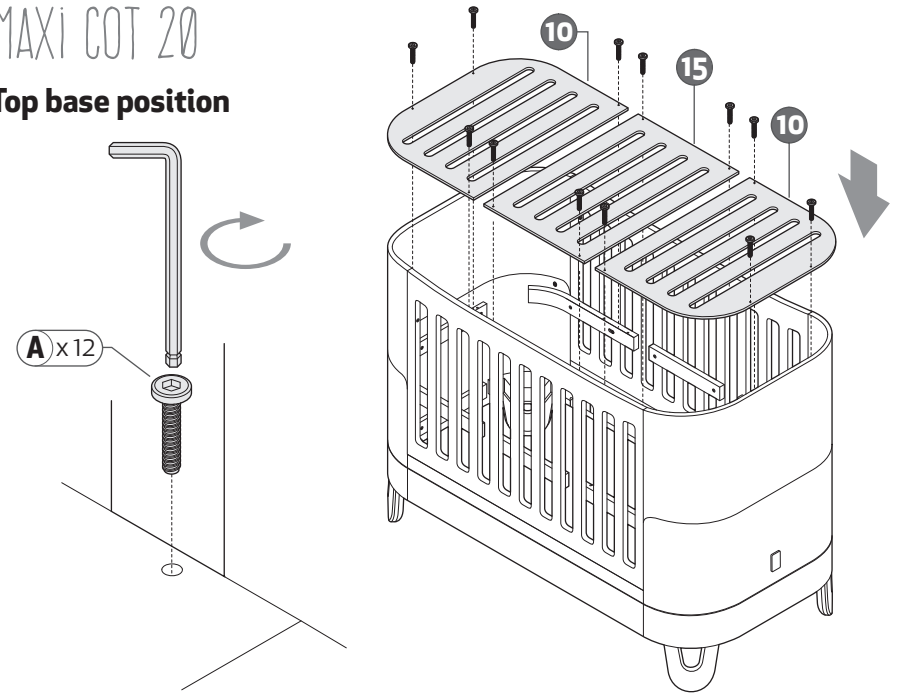
MAXI COT 19

Top base position

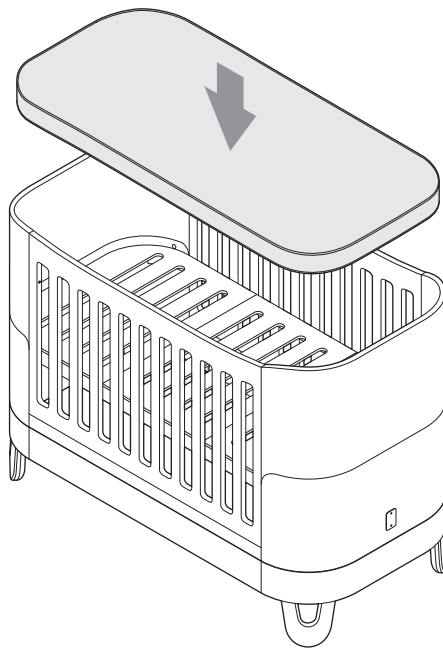


MAXI COT 20

Top base position

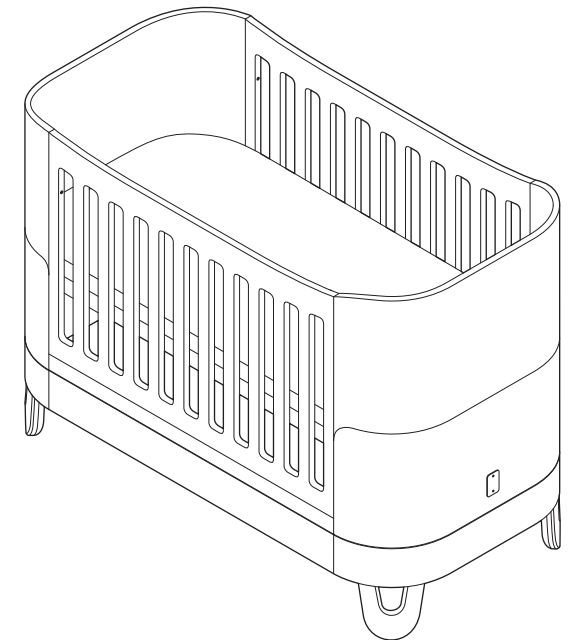


ASSEMBLY COMPLETE



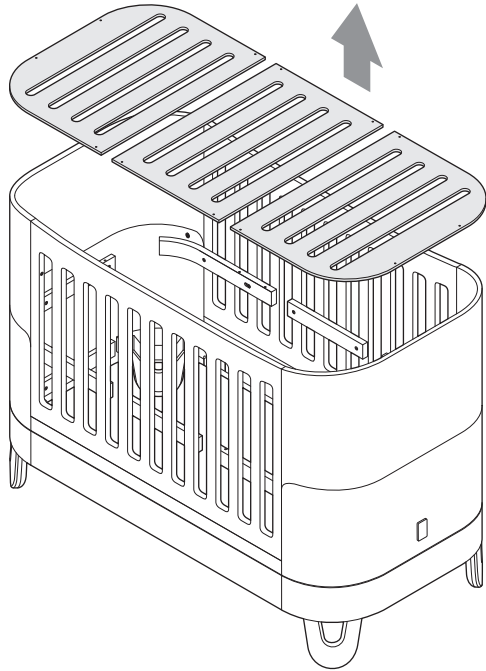
MAXI COT 21

Bottom base position



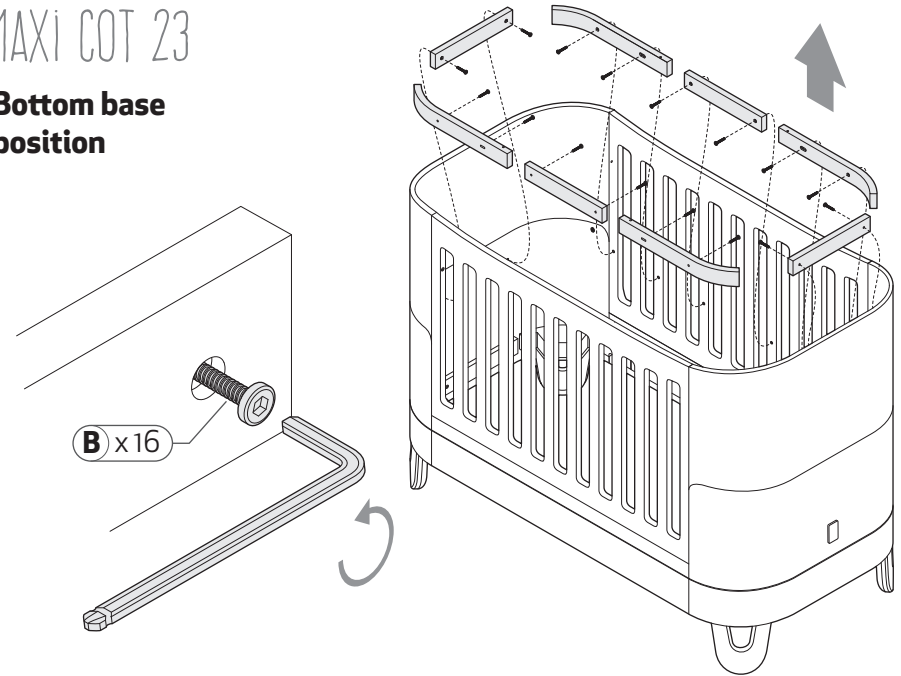
MAXI COT 22

Bottom base position



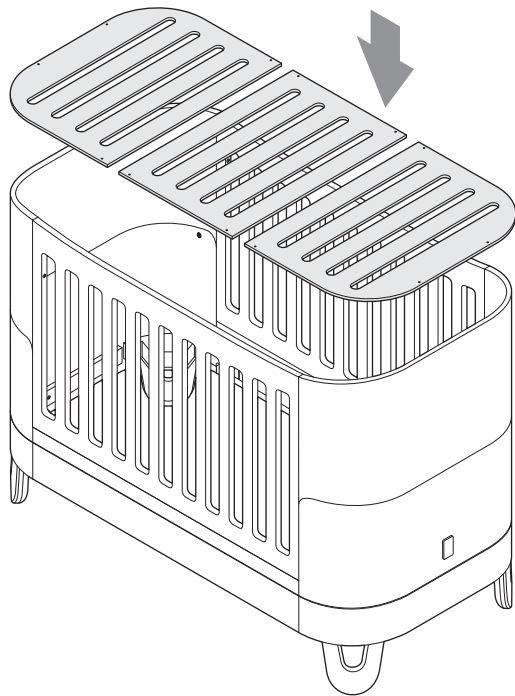
MAXI COT 23

Bottom base position

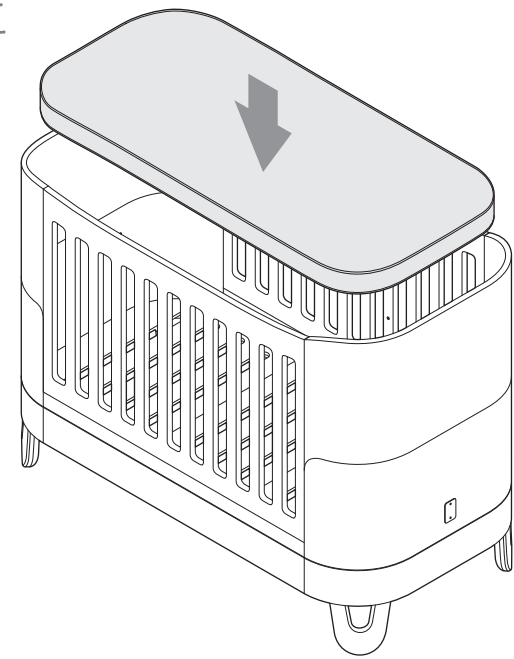


MAXI COT 24

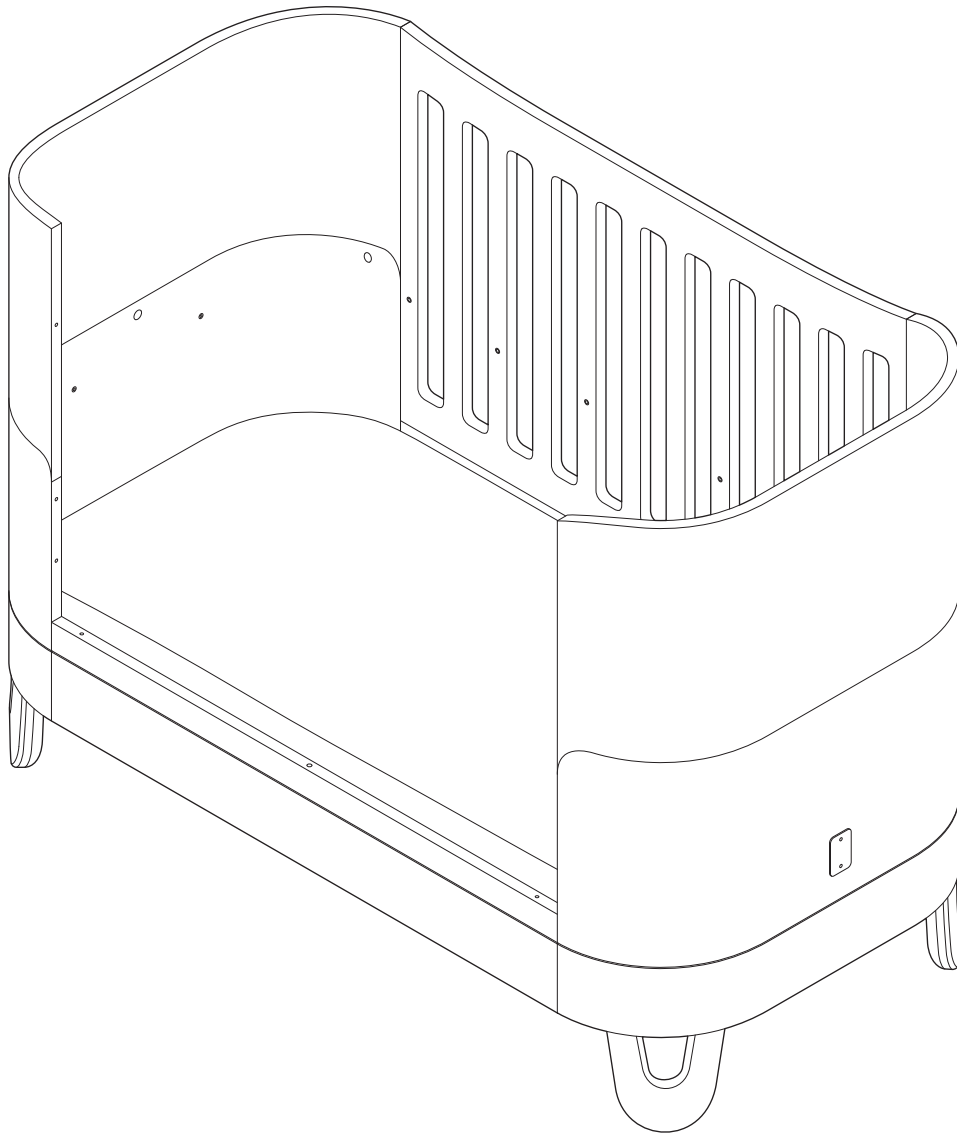
Bottom base position



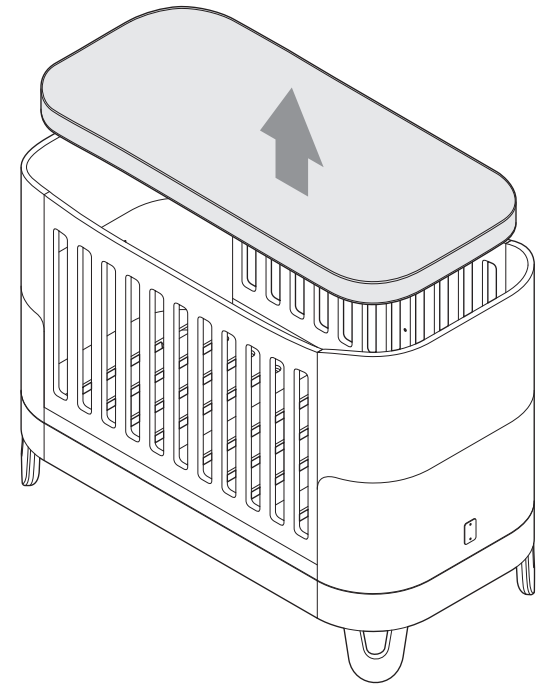
ASSEMBLY COMPLETE



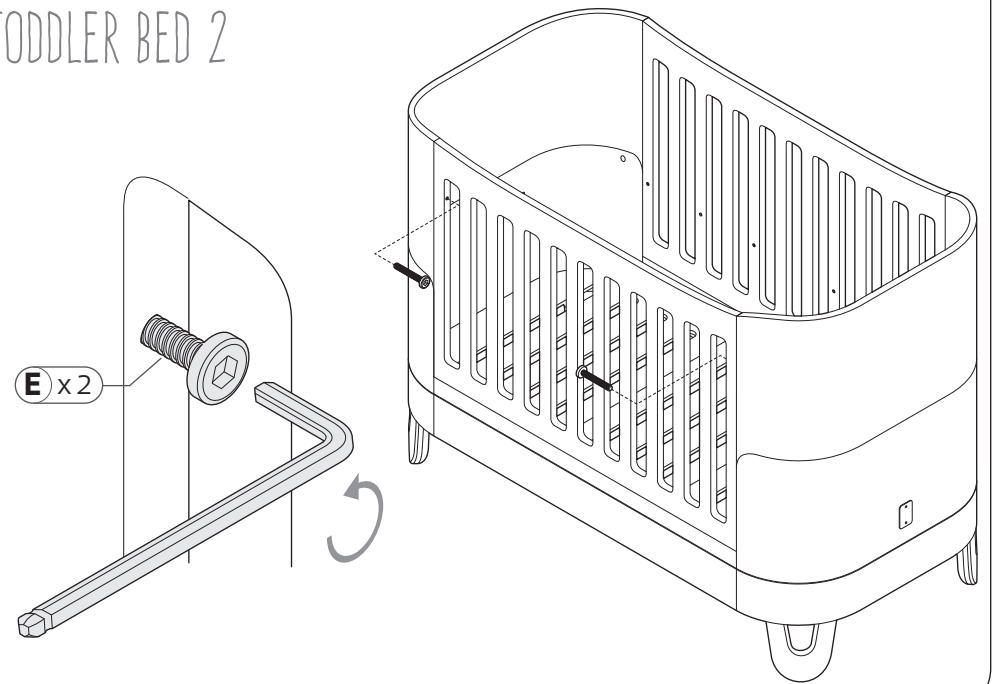
TODDLER BED CONVERSION



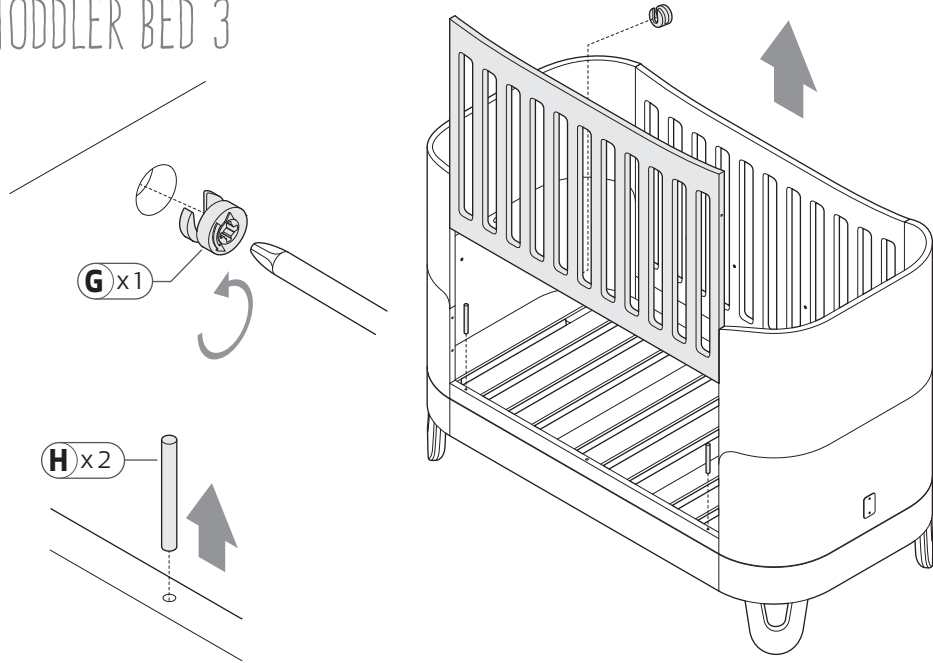
TODDLER BED 1



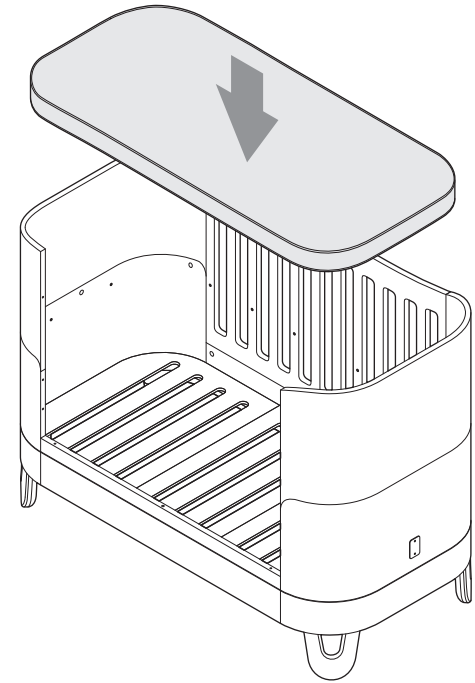
TODDLER BED 2



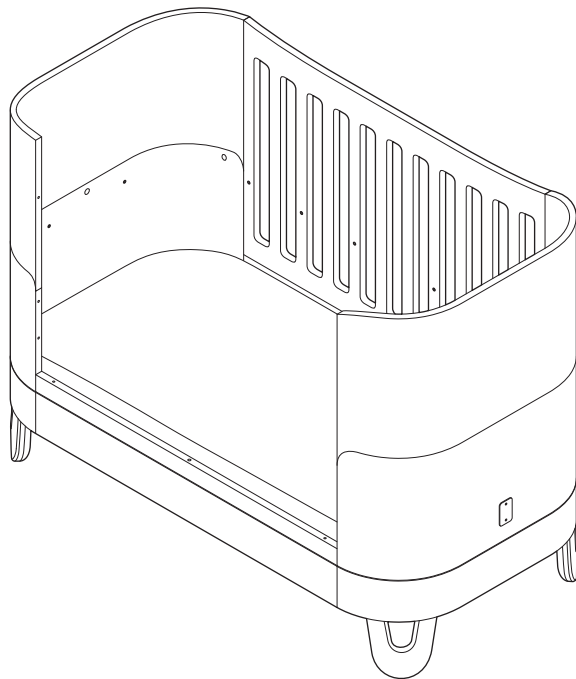
TODDLER BED 3



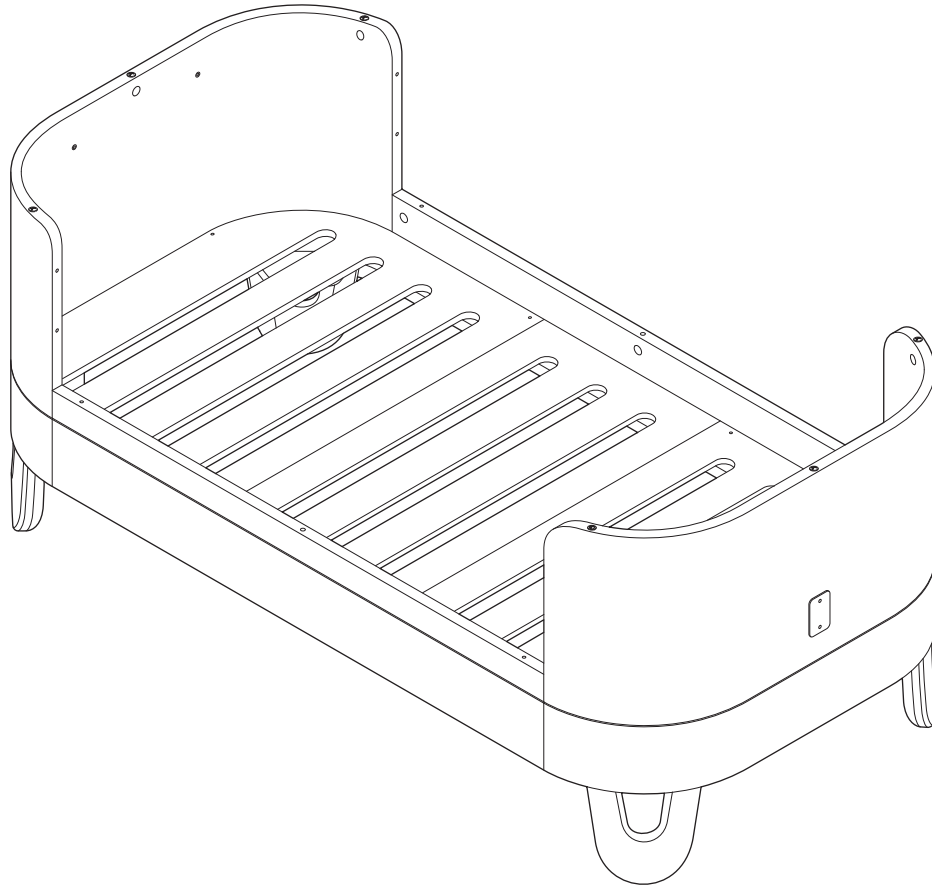
TODDLER BED 4



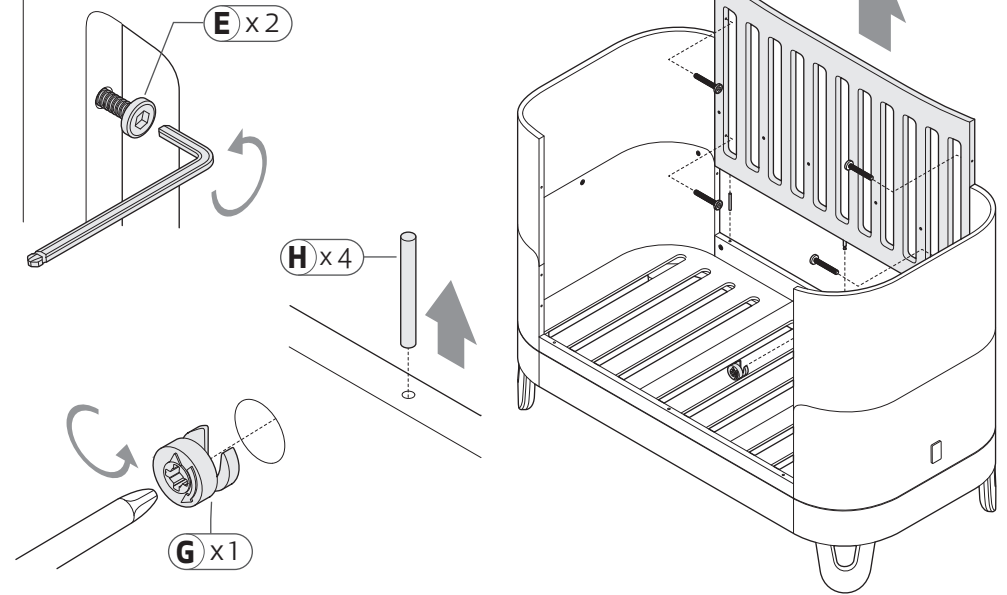
ASSEMBLY COMPLETE



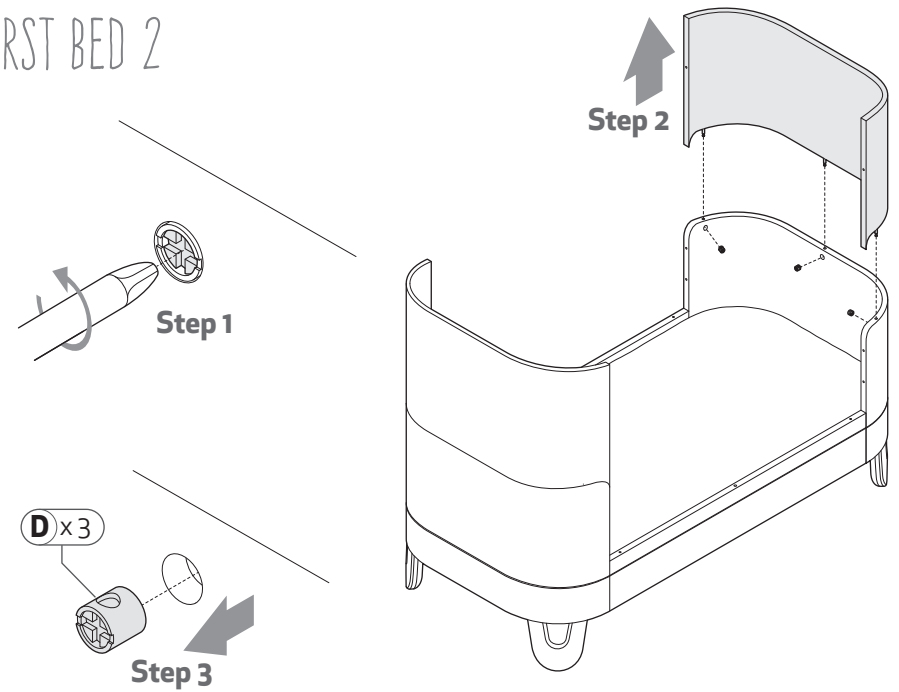
FIRST BED CONVERSION



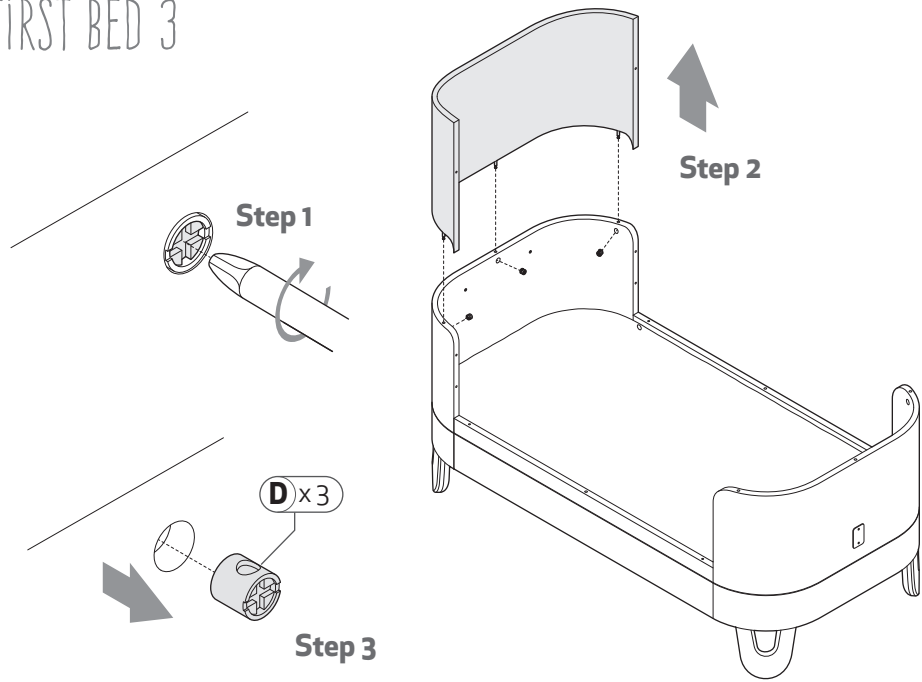
FIRST BED 1



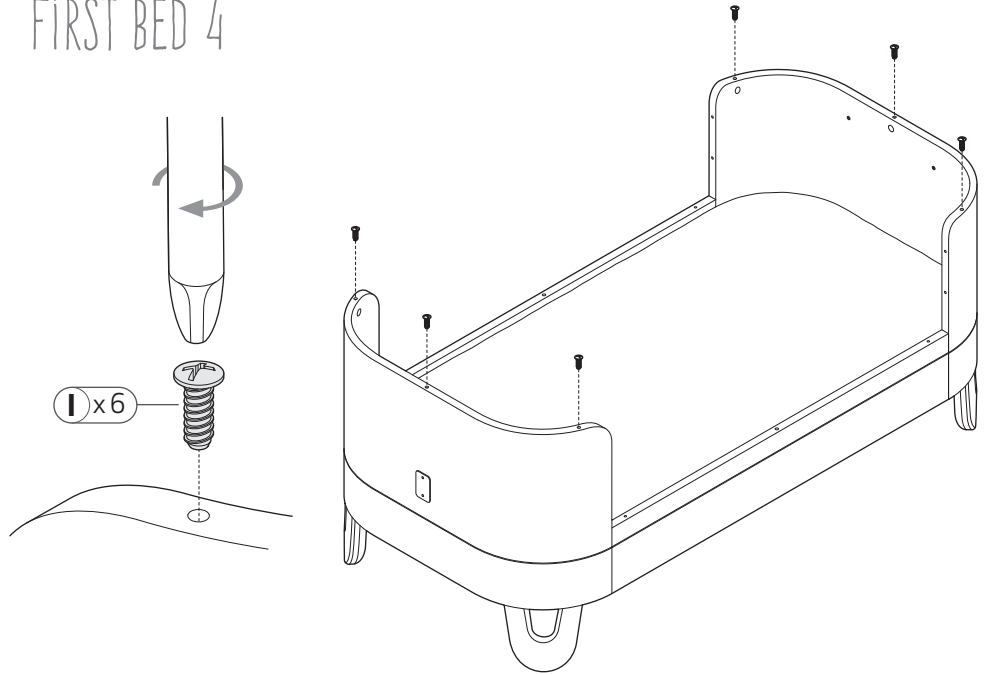
FIRST BED 2



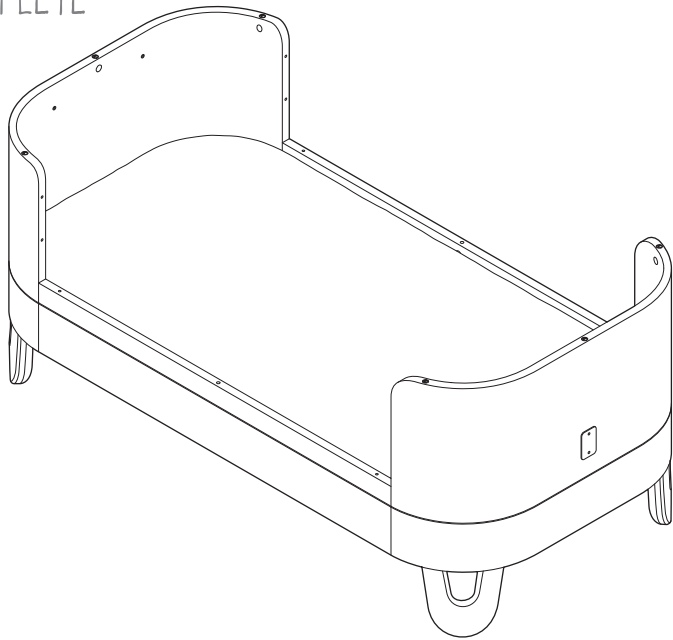
FIRST BED 3



FIRST BED 4



ASSEMBLY COMPLETE



NOTES

NOTES

Guide to using the different cot-bed positions.

Position Maxi Cot - When you first assemble the cot you have two choices of mattress height, upper position designed for new born and lower position for toddler onwards .

WARNING: TO PREVENT FALLS, THE MATTRESS BASE OF THIS COT SHOULD BE ADJUSTED TO THE LOWEST POSITION BEFORE THE CHILD CAN SIT UP.

Position Toddler bed - To allow your child to get in or out of the cot by themselves you can simply remove one of the side panels. This is usually when the child starts to try and get out of the cot by themselves and helps to avoid injuries from falling. To use the cot in this position you must always keep one of the side panels in place. Please refer to instructions to see conversion.

Position First bed- When the baby has developed further, you may convert the cot to create a 'first-bed' suitable up until the age of 5 years. This can be extended further with the use of the 'Gaia Baby Junior Bed Extension Kit' (sold separately)

Manufacturer Warranty

All Gaia Baby furniture carries a full 2 year manufacturer's warranty.

The warranty does not cover wear & tear or damage caused by the product not being used in accordance with correct care instructions.

The warranty period is effective from date of purchase. The warranty applies to product presented with an original receipt or proof of purchase. The warranty applies to the territory in which the product was purchased.

During the warranty period, Gaia Baby will repair or replace any defective part.

In the event of a product being replaced in entirety, the guarantee on the replacement will expire two years from the original purchase date.

This is a natural wood product. Some variation in surface finish and colour may occur. While every attempt is made to colour match replacement parts, colour matching cannot be guaranteed.

This guarantee excludes accidental damage, misuse and or damage caused by improper transport or handling.

This warranty is void if the original product has been altered in design or colour in anyway and/ or if not presented with an original receipt as proof of purchase.



Gaia Baby Limited

#2, Kinsealy Business Park,
Malahide
Dublin K36 DK81
Ireland

Web:

www.gaia-baby.com

Email:

customercare@gaia-baby.com