



Dauntless FlexBurn in Twilight enamel

Dauntless



Fearless and resolute, this timeless beauty delivers steady overnight heat even on the fiercest of winter nights. Exclusive FlexBurn technology provides the option to burn with a catalyst for maximum efficiency. A cast-iron griddle top and optional cooking grill helps you connect around food and flame all year long.



Timeless cast iron styling with a furniture-quality finish



Convenient top load keeps smoke and ash contained and increases load capacity



Exclusive swing-out ash pan allows you to cleanly remove ashes, even when the stove is hot



Optional cooking grill conveniently sits under the cast iron griddle top to offer a versatile cooking surface

Peak BTU/hr Output ¹	45,500
Heating Capacity ²	800 - 2,000 sq ft
Maximum Burn Time	11 hrs
Efficiency ³	LHV: 83% (Catalytic) 82% (Non-Catalytic) HHV: 78% (Catalytic) 77% (Non-Catalytic)
Emissions	1.2 g/hr (Catalytic) 1.1 g/hr (Non-Catalytic)
Firebox Capacity	1.8 cu ft
Recommended Log Length	16"
Actual Weight	390 lbs

STOVE FINISHES



CLASSIC BLACK

BORDEAUX ENAMEL

MAJOLICA BROWN ENAMEL

TWILIGHT ENAMEL

**Up to \$2,000 annually for qualifying purchase.
EPA and Tax Credit Certified save money and be kind to the environment with industry leading technology and high efficiency

FlexBurn® Technology

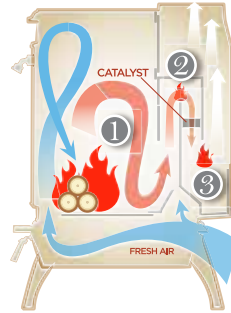
Save money and use less wood with a catalyst. Increase your heating efficiency and lower your stove emissions, ensuring you get the most out of each load of wood.



START UP
Primary burn started and fueled by fresh air with the bypass damper open

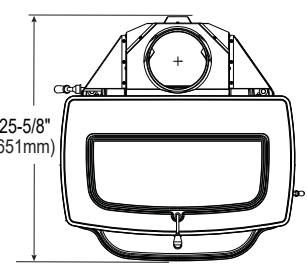
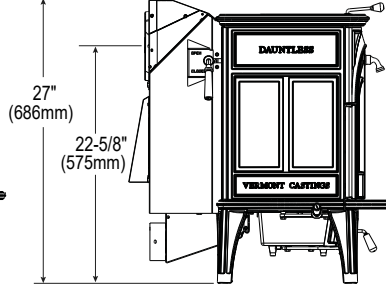
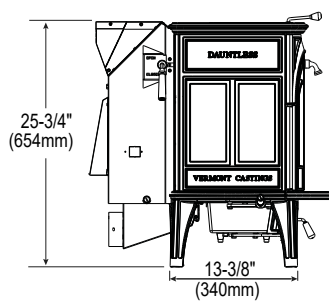
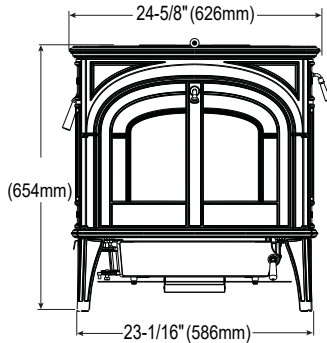


2-STAGE BURN
Damper is closed once stove and flue are sufficiently hot, forcing smoke into the secondary combustion chamber where additional air feeds combustion of gases for secondary burn



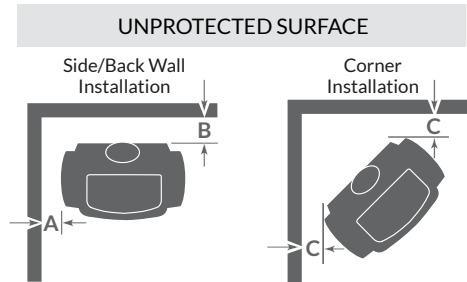
3-STAGE BURN
With catalyst in place, increased efficiency and lower emissions result from a tertiary burning of gases and CO, and enables combustion at much lower temperatures, extending burn times and saving on fuel costs

Specifications



6\"/>		
	A	B
Top exit, single wall pipe	14\"/>	
Top exit, double wall pipe	12\"/>	
Rear exit	14\"/>	

Standard floor protection: 35-3/8" x 39-3/8" minimum. See manual for corner floor protection sizes and diagrams, for single and double wall pipe. Refer to manual for complete list of clearances prior to installation.



Options & Accessories



CAST IRON STEAMER



VARIABLE SPEED FAN KIT



VERMONT CASTINGS LEATHER GLOVES



COOKING GRILL



MAGNETIC STOVE TOP THERMOMETER



CAST IRON TRIVET



CAST IRON WOOD BIN



PORTABLE SAFETY SCREEN



MATCHING ENAMEL PIPE

Scan to learn more about our wood stoves



For full warranty details, visit www.forgenflame.com.

1: BTU/hr output: 1st hour output uses high burn efficiency number. BTU/hr output will vary depending on the type of fuel used and moisture content of the fuel. 2: See your local Vermont Castings authorized dealer for help in determining the product that best suits your heating needs based on climate and home efficiency. 3: Weighted average LHV (Low Heating Value) efficiency. HHV (High Heat Value) efficiency used to qualify products for Tax Credit beginning in 2023.

IMPORTANT - READ BEFORE YOU INSTALL! - Refer to the Owner/Installation Manual for complete clearance requirements and specifications. The images and descriptions in this brochure are provided to assist you in product selection only. Vermont Castings is a registered trademark of Hearth & Home Technologies. Product specifications and pricing subject to change without notice. Fireplace, stove and insert surfaces get extremely HOT and can cause burns if touched. Keep a safe distance away. To learn more visit www.vermontcastings.com/fireplacesafety. ©2023 Hearth & Home Technologies®. All rights reserved.



FORGENFLAME.COM

VMT-1026-0324