



URBANA

---

LUXURY FIREPLACES



PROUDLY BUILT IN THE  
PACIFIC NORTHWEST

# TRADITIONAL GAS FIREPLACES

Introducing the U37 and U44 traditional gas fireplaces. These models feature clean, contemporary aesthetics and a wide variety of options allowing you to truly personalize the centerpiece of your room. Offered in a well-known square or eye-catching arched configuration, the U37/U44 can be customized to fit any design. Pair the unit with a traditional log set or a modern glass configuration. No matter what you are looking for, the U37/U44 delivers.



- Traditional Log Set
- Black Glass Liner



- Birch Log Set
- Black Glass Liner



- Traditional Log Set
- Herringbone Liner – Sandstone



- Birch Log Set
- Herringbone Liner – Dark Umber



# U55

Painted Steel Liner  
Traditional Log Set  
Glass Size: 42" h x 52" w

# U55

Sandstone Herringbone Liner

Birch Log Set

Glass Size: 42" h x 52" w



- Traditional Log Set
- Painted Liner



- Birch Log Set
- Painted Liner



- Traditional Log Set
- Brick Liner



- Birch Log Set
- Brick Liner



- Traditional Log Set
- Painted Steel Liner



- Birch Log Set
- Painted Steel Liner



- Traditional Log Set
- Rustic Brick Liner



- Birch Log Set
- Rustic Brick Liner



U55

Black Glass Liner  
 Birch Log Set  
 Glass Size: 42" h x 52" w



U44 – Traditional Log Set, Sandstone Herringbone Liner



U44 – Driftwood Log Set, Black Enameled Liner



U44 – Birch Log Set, Ledgerstone Liner



U37 – Traditional Log Set, Rustic Brick Liner



U37 – Birch Log Set, Rustic Brick Liner



U44 – Traditional Log Set, Black Glass Liner



U44 – River Rock Set w/Twigs, Black Enameled Liner

# Aesthetic Features U33 - U33T - U37 - U44 - U55

**Rustic Brick Liner**



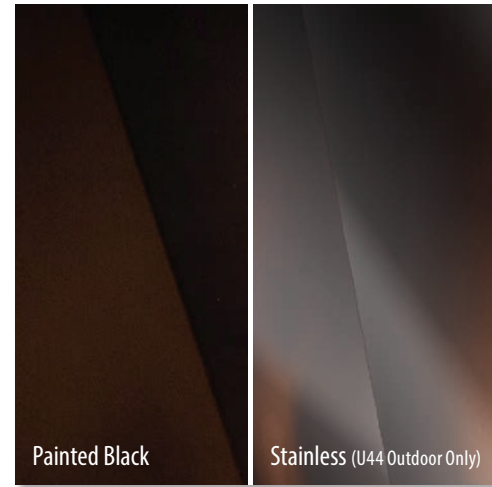
U33, U37, U44, U44 Outdoor, U55

**Ledgestone Liner**



U37, U44, U44 Outdoor

**Steel Liners**



U33, U33T, U37, U44, U44 Outdoor, U55

**Traditional Log Set**



U33, U33T, U37, U44, U44 Outdoor, U55

**Birch Log Set**



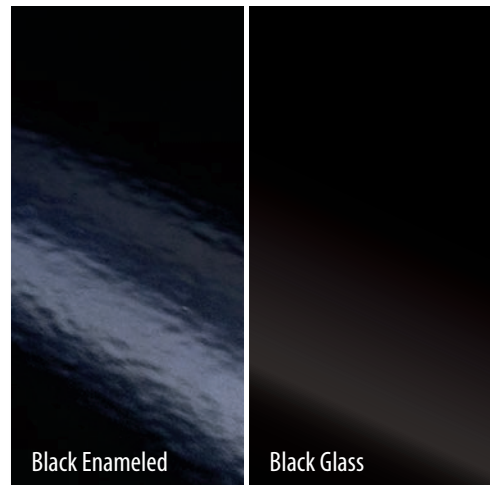
U33, U33T, U37, U44, U44 Outdoor, U55

**Driftwood Log Set**



U37 & U44

**Reflective Liners - TWO OPTIONS**



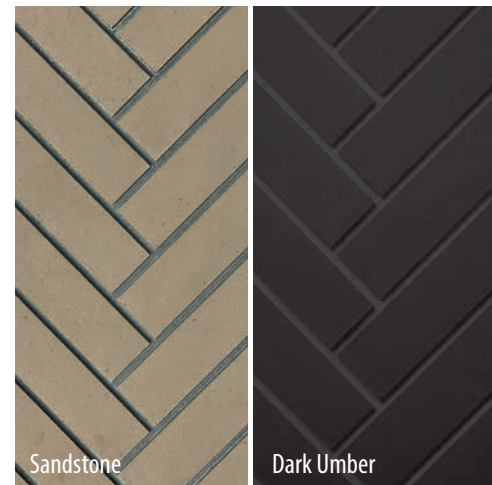
U33, U33T, U37, U44, U44 Outdoor (Black Enameled Only), U55

**Fluted Liner**



U33 & U33T (INCLUDED)

**Herringbone Liner**



U37, U44, U44 Outdoor, U55

**River Rock Set w/Twigs**



U37 & U44

**Glass Media**



U37 & U44

**Shale**



U37 & U44



# Specifications

	U30   U30 S   U30 T	U50   U50 S   U50 T	U70   U70 S   U70 T	U33   U33 T	U37	U44   U44 O	U55					
BTU Max. Input NG / LP	22,500 BTUs	38,000 BTUs	52,500 BTUs	40,000 BTUs	47,000 BTUs	63,000 BTUs	75,000 BTUs					
P4 Efficiency	65.9% 65.9% Tall 63.6% Screen	68.5% 68.5% Tall 61% Screen	59.2% 59.2% Tall 62.5% Screen	TBA	36.6% 46.6%†	37.6% 47.6%†	39% XX%†					
Turn Down	Up to 33%	Up to 33%	Up to 33%	Up to 33%	Up to 33%	Up to 33%	Up to 33%					
Valve Configuration	IPI	IPI	IPI	IPI	IPI	IPI	IPI					
Venting	4" x 6 5/8"	5" x 8"	5" x 8"	5" x 8"	5" x 8"	5" x 8" or 8" x 11"	8" x 11"					
Flex Venting	Up to 40'	Up to 40'	Up to 40'	TBA	N/A	N/A	N/A					
Average Weight (Including liner and media)	255 lbs	355 lbs	500 lbs	200 lbs 300 lbs U33 T	400 lbs	489 lbs	525 lbs					
Viewing Area	1042 in <sup>2</sup> 1,440 in <sup>2</sup> Tall	1,390 in <sup>2</sup> 1,920 in <sup>2</sup> Tall	1,737 in <sup>2</sup> 2,400 in <sup>2</sup> Tall	1,062 1/2 in <sup>2</sup> 1,875 in <sup>2</sup> Tall	1,112 in <sup>2</sup>	1,586 in <sup>2</sup> 1,476 in <sup>2</sup> Outdoor	2,463 3/4 in <sup>2</sup>					
Glass Dimensions <i>Safety Screen replaces outer glass on screened units</i>	H: 19 3/4" 26 3/8" Tall	W: 30" D: 15"	H: 19 3/4" 26 3/8" Tall	W: 50" D: 15"	H: 19 3/4" 26 3/8" Tall	W: 70" D: 15"	H: 34" 60" Tall	W: 35 3/16" H: 30 5/16" W: 35 3/16" H: 36 5/16" W: 42 3/16" H: 42" W: 52"				
Unit Dimensions	H: 40" 46 5/8" Tall	W: 30 3/4" D: 21"	H: 47" 53 3/8" Tall	W: 50 3/4" D: 21"	H: 47" 53 3/8" Tall	W: 70 3/4" D: 21"	H: 44" 62" Tall	W: 41" D: 19"	H: 44 1/2" 46 1/4" 24 1/4"	W: 50 1/2" 53 1/2" 47 1/2" Out	D: 27 1/2" 21 1/4" Out	H: 60" W: 63 3/8" D: 28 1/2"

\*See owner's manual for detailed fireplace specifications.

† Based on in-house testing using 5"/8" vent

## U30/U50/U70

### DESIGN FEATURES

- Left/Right Corner Installation Kits
- Single Sided Installation Kit  
Not applicable with screened units
- Top Firebox Lighting
- Ventilated Chase Design
- 3D Stainless Steel Burner
- Optional LP Conversion Kit
- Cool Surface System
- Optional LP Conversion Kit
- Power Vent Compatible  
*(Approved for Duravent CVS 5"/3")*
- Optional Bezels  
*(Black Glass, Antique Rust)*
- Optional Chase Comfort Kit
- Floating Installation Compatible (U30)

### FIREBOX MEDIA

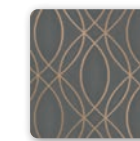
- Driftwood Log Set
- Signature Traditional Log Set
- Signature Birch Log Set
- River Rock Set w/Twigs
- Adjustable Color LED Lighting
- Glass Media
- Vermiculite
- Bezel w/Glass or Vermiculite
- Shale

### LINER OPTIONS

- Painted Steel Liner (Included)
- Fluted Liner
- Infinity Glass Liner - Black

### COMPATIBLE WITH MOST FINISHES

The low heat nature of Urbana fireplaces allow you to use a large variety of combustible finishes during framing. Here are some examples.



Wallpaper



Drywall



Shiplap



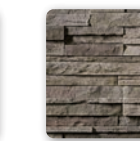
Tile



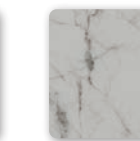
Fabric



Wood



Imitation Stone



Marble

## U33/U37/U44/U55

### DESIGN FEATURES

- Clean Face Design
- IPI Pilot System
- Optional LP Conversion Kit
- Top Firebox Lighting
- ClearView Safety Screen
- Stainless Steel Burner
- Cool Surface System
- Power Vent Compatible
- Optional Chase Comfort Kit
- Optional Arched Install (U37/U44 Only)
- See-Through Installation Kit (U33/U33T Only)

### OPTIONAL FACE

- Forgeworks Face (U37/U44 Only)

### FIREBOX MEDIA

- Driftwood Log Set (U37/U44 Only)
- Birch Log Set
- Traditional Log Set
- River Rock Set w/Twigs (U37/U44 Only)
- Glass Media (U37/U44 Only)
- Shale

### LINER OPTIONS

- Painted Steel Liner (U37/U44/U55 Included)
- Rustic Brick Liner (N/A U33/U33T)
- LedgeStone Liner (U37/U44 Only)
- Fluted Liner (U33/U33T Included)
- Herringbone (Sandstone) Liner (N/A U33/U33T)
- Herringbone (Umber) Liner (N/A U33/U33T)
- Black Enameled Steel Liner (U37/U44 Only)
- Black Glass Liner
- Stainless Steel Liner (U44 Outdoor Only)

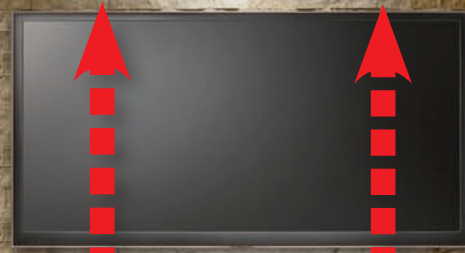
## INCLUDED WITH THE U37 & U44 COOL SURFACE SYSTEM

The Cool Surface System allows the fireplaces rising heat to move safely up the chase without creating excessive surface temperatures that can damage HDTV's or other wall mounted valuables.

*Rising heat is evenly vented forward into the living space above the chase*

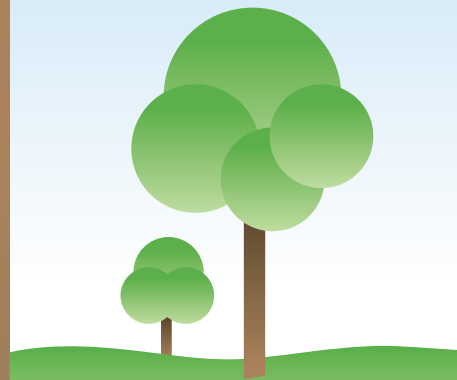
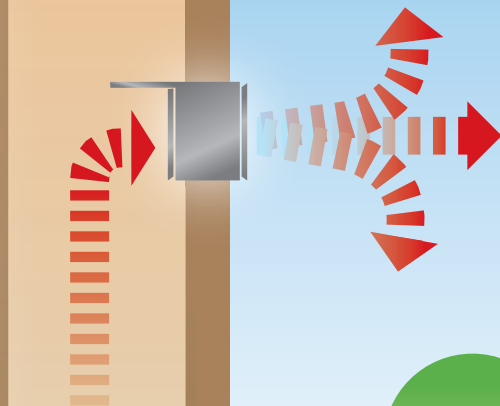
*Rising heat is channeled safely past valuable wall mounted items such as a TV*

*Heat radiates forward from the fireplace window*



## COMFORT KIT

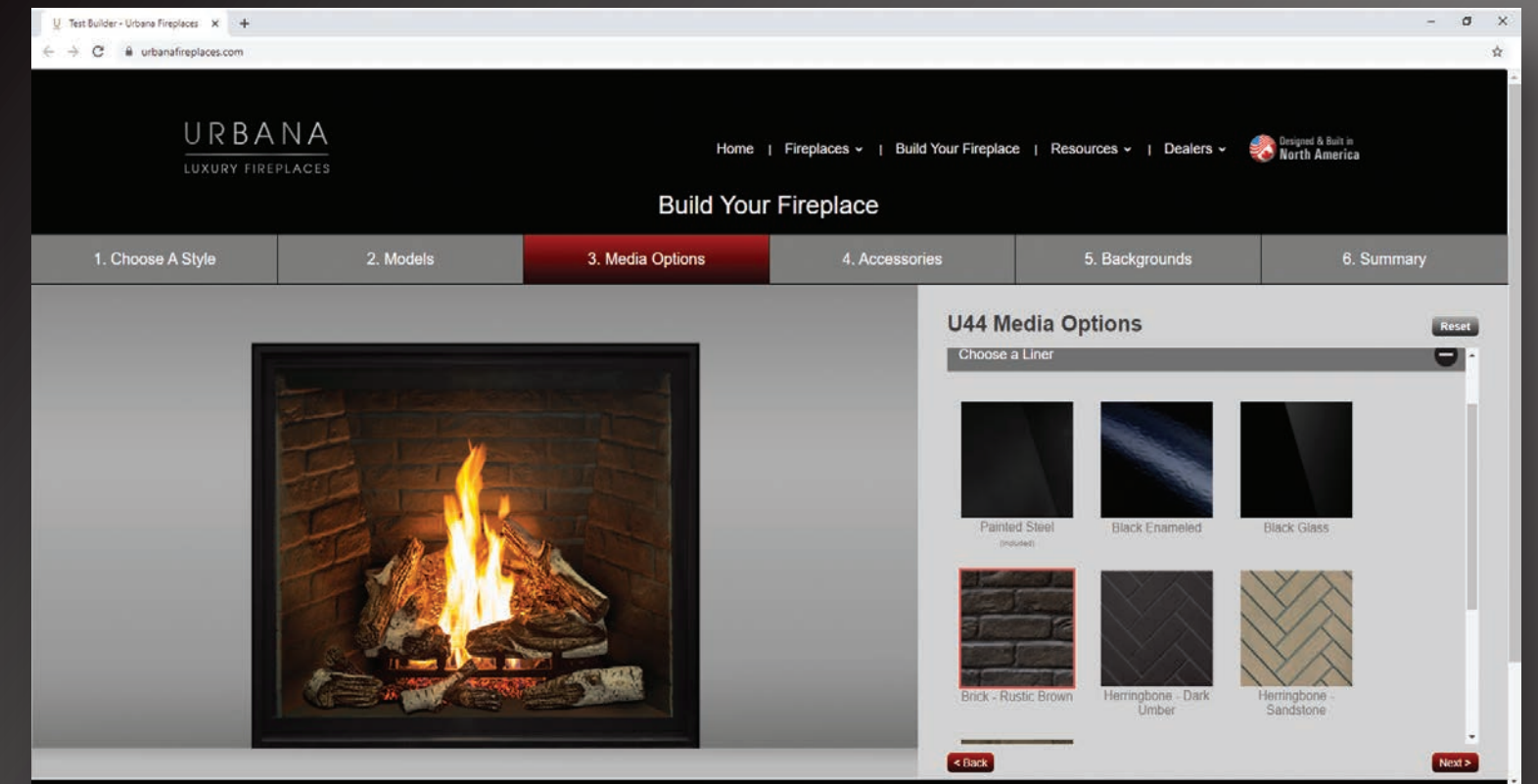
Our available Comfort Kit is an installation option that allows excess rising heat to be channeled outside through an exterior wall behind the fireplace. This setup allows you and your loved ones to enjoy a beautiful flame at comfortable temperatures.



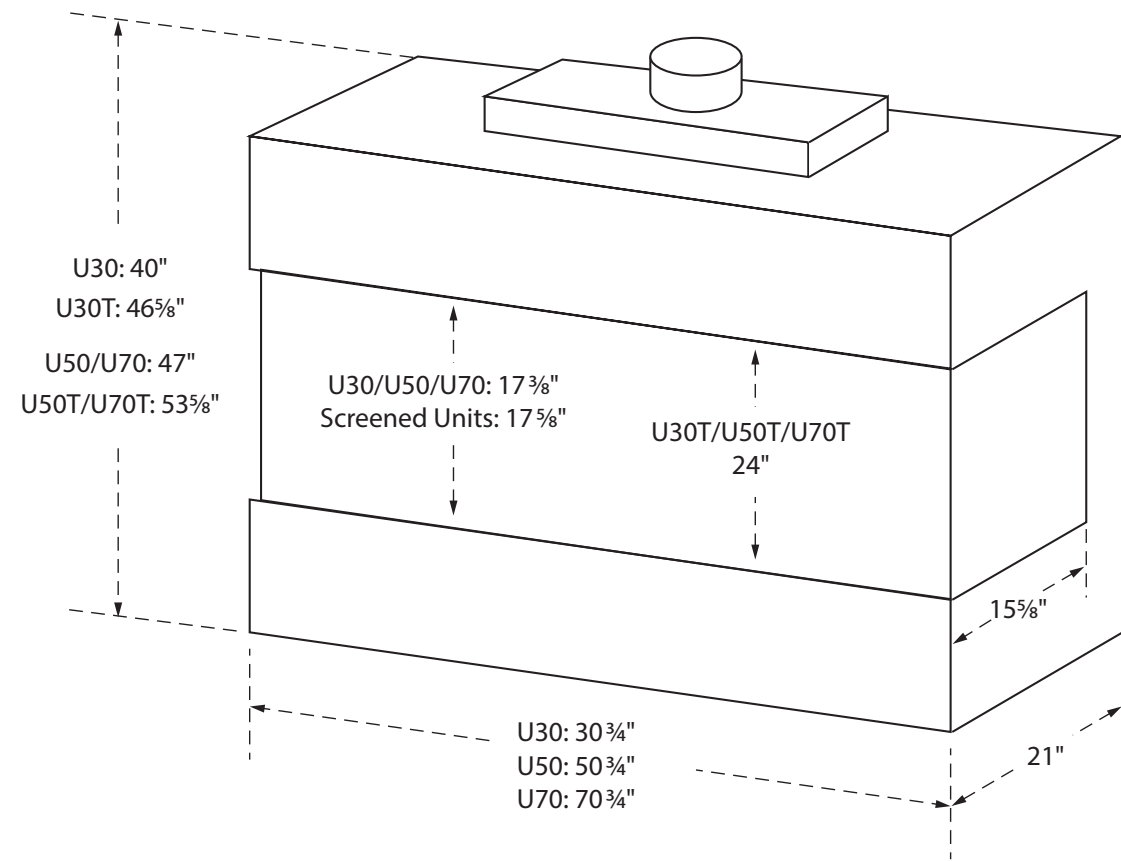
## BUILD YOUR FIREPLACE

Find the ideal combination of logs and liners with the Urbana Fireplace Builder. This tool includes the ability for customers to receive a PDF of their fireplace as well as provide a list of authorized dealers in their area.

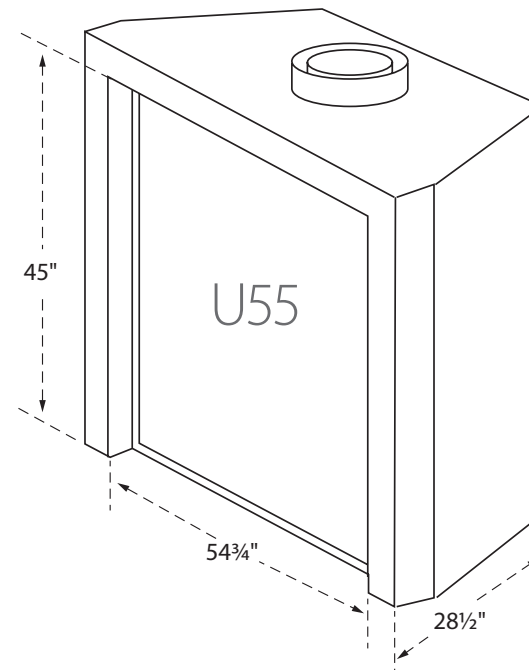
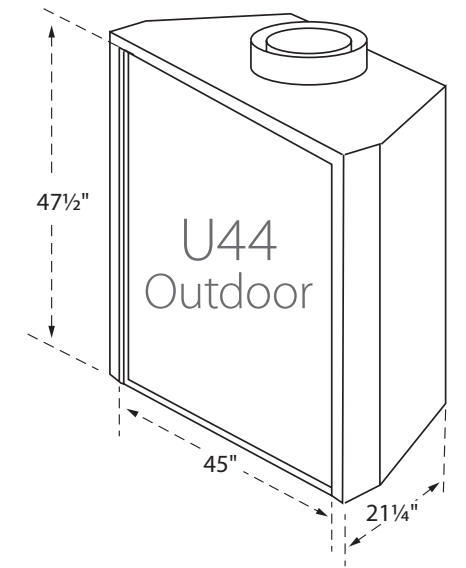
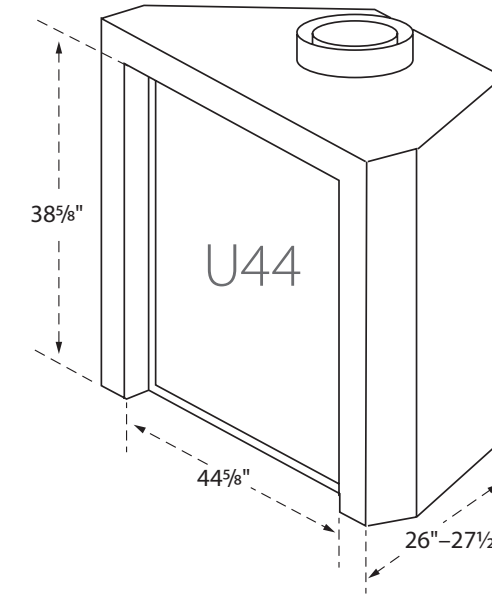
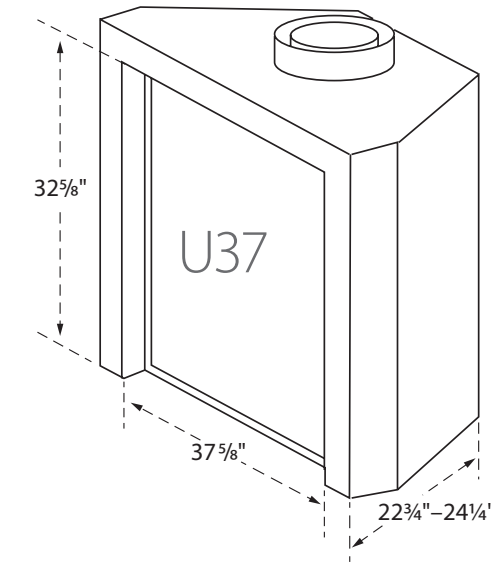
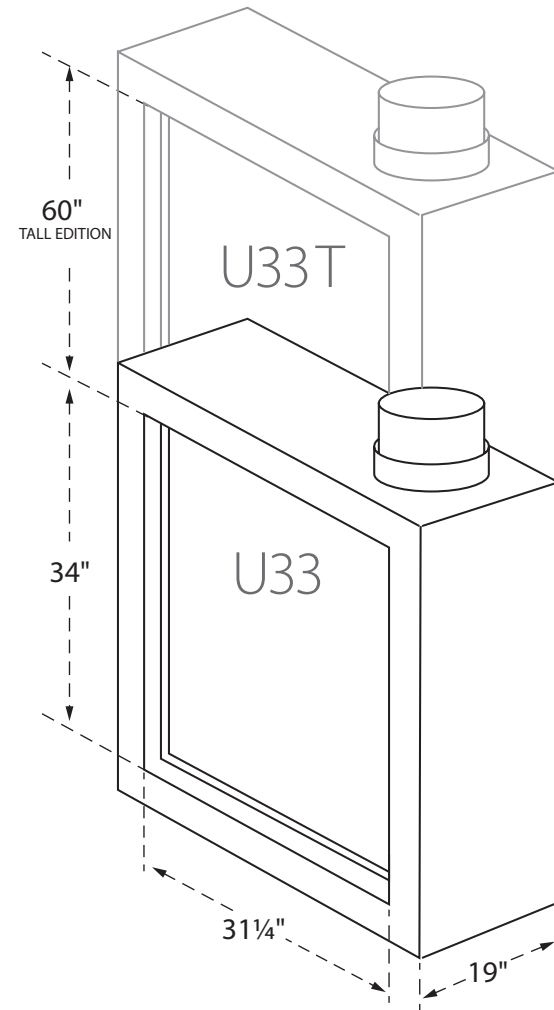
Visit [urbanafireplaces.com/fireplace-builder](http://urbanafireplaces.com/fireplace-builder) to build your dream fireplace today



# UNIT DIMENSIONS



Note: U30/U50/U70 dimensions also apply to screened editions unless indicated different.



Full Install Details Available online

Venting, Clearances, Install guides and more are available on our website. Please scan the above QR code for these guides and more detailed information.



urbanafireplaces.com



Manufactured by Sherwood Industries Ltd. • Victoria, British Columbia, Canada

Printed in Canada, October 2023