



URBANA

LUXURY FIREPLACES



PROUDLY BUILT IN THE
PACIFIC NORTHWEST

U33T

See-Through Installation Kit

Birch Log Set

Painted Steel Side Liners

Glass Size: 60" h x 31" w



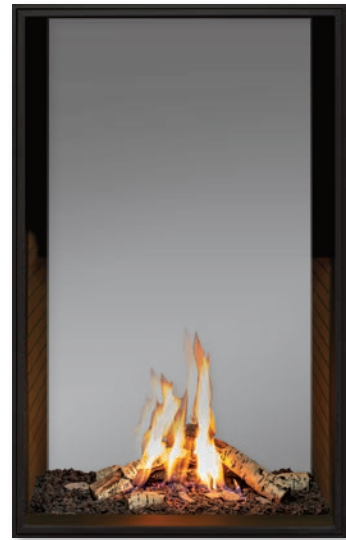
- Birch Log Set
- Fluted Liner



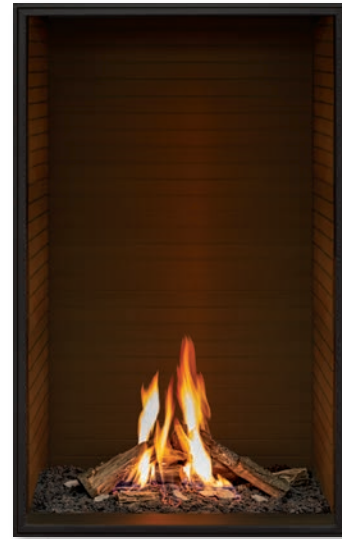
- Birch Log Set
- Black Glass Liner



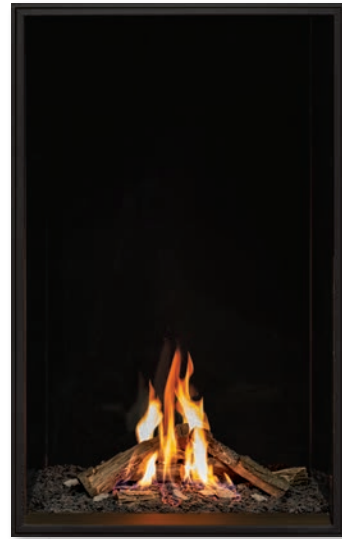
- Birch Log Set
- Fluted Liner



- Birch Log Set
- See-Through Installation Kit



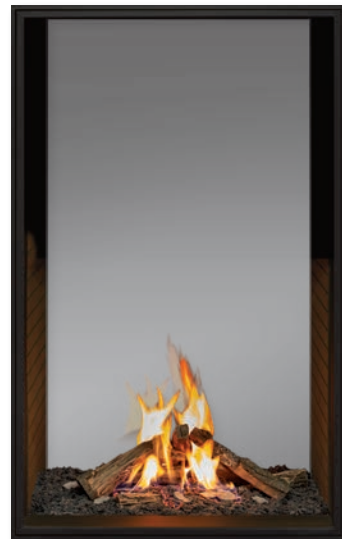
- Traditional Log Set
- Fluted Liner



- Traditional Log Set
- Black Glass Liner



- Traditional Log Set
- Fluted Liner



- Traditional Log Set
- See-Through Installation Kit

U33T

Single Sided Install

Traditional Log Set

Fluted Liner

Glass Size: 60"h x 31"w





U44 – Traditional Log Set, Sandstone Herringbone Liner



U44 – Driftwood Log Set, Black Enameled Liner



U44 – Birch Log Set, Ledgestone Liner



U37 – Traditional Log Set, Rustic Brick Liner



U37 – Birch Log Set, Rustic Brick Liner



U44 – Traditional Log Set, Black Glass Liner



U44 – River Rock Set w/Twigs, Black Enameled Liner

Aesthetic Features U33 - U33T - U37 - U44 - U55

Rustic Brick Liner



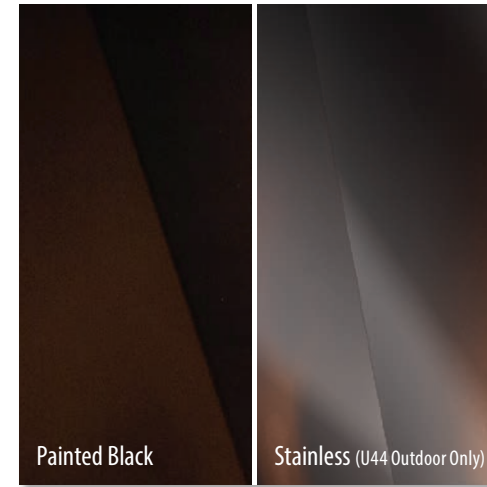
U33, U37, U44, U44 Outdoor, U55

Ledgestone Liner



U37, U44, U44 Outdoor

Steel Liners



U33, U33T, U37, U44, U44 Outdoor, U55

Traditional Log Set



U33, U33T, U37, U44, U44 Outdoor, U55

Birch Log Set



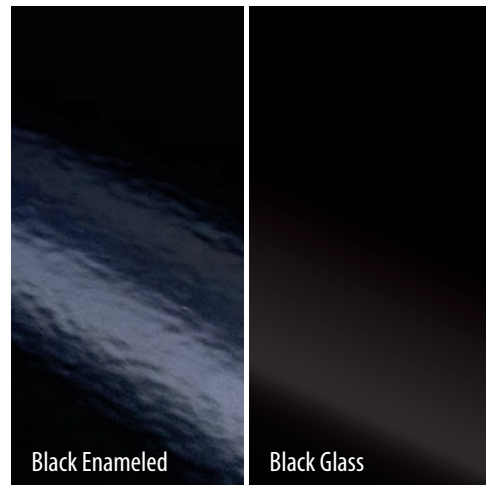
U33, U33T, U37, U44, U44 Outdoor, U55

Driftwood Log Set



U37 & U44

Reflective Liners - TWO OPTIONS



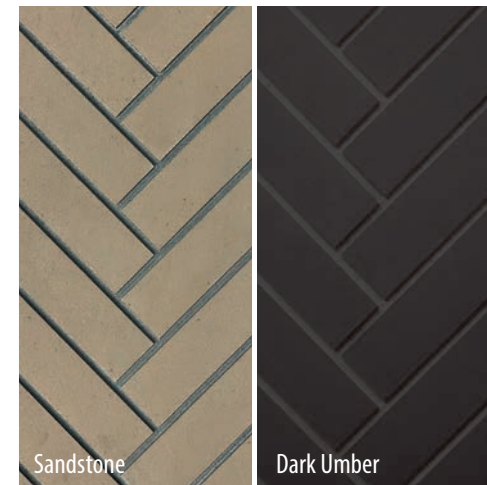
U33, U33T, U37, U44, U44 Outdoor (Black Enameled Only), U55

Fluted Liner



U33 & U33T (INCLUDED)

Herringbone Liner



U37, U44, U44 Outdoor, U55

River Rock Set w/Twigs



U37 & U44

Glass Media



U37 & U44

Shale



U37 & U44

Specifications

	U30 U30 S U30 T	U50 U50 S U50 T	U70 U70 S U70 T	U33 U33 T	U37	U44 U44 O	U55						
BTU Max. Input NG / LP	22,500 BTUs	38,000 BTUs	52,500 BTUs	40,000 BTUs	47,000 BTUs	63,000 BTUs	75,000 BTUs						
P4 Efficiency	65.9% 65.9% Tall 63.6% Screen	68.5% 68.5% Tall 61% Screen	59.2% 59.2% Tall 62.5% Screen	TBA	36.6% 46.6%†	37.6% 47.6%†	39% XX%†						
Turn Down	Up to 33%	Up to 33%	Up to 33%	Up to 33%	Up to 33%	Up to 33%	Up to 33%						
Valve Configuration	IPI	IPI	IPI	IPI	IPI	IPI	IPI						
Venting	4" x 6 5/8"	5" x 8"	5" x 8"	5" x 8"	5" x 8"	5" x 8" or 8" x 11"	8" x 11"						
Flex Venting	Up to 40'	Up to 40'	Up to 40'	TBA	N/A	N/A	N/A						
Average Weight (Including liner and media)	255 lbs	355 lbs	500 lbs	200 lbs 300 lbs U33 T	400 lbs	489 lbs	525 lbs						
Viewing Area	1042 in ² 1,440 in ² Tall	1,390 in ² 1,920 in ² Tall	1,737 in ² 2,400 in ² Tall	1,062 1/2 in ² 1,875 in ² Tall	1,112 in ²	1,586 in ² 1,476 in ² Outdoor	2,463 3/4 in ²						
Glass Dimensions <i>Safety Screen replaces outer glass on screened units</i>	H: 19 3/4" 26 3/8" Tall	W: 30" D: 15"	H: 19 3/4" 26 3/8" Tall	W: 50" D: 15"	H: 19 3/4" 26 3/8" Tall	W: 70" D: 15"	H: 34" 60" Tall	W: 35 3/16" 30 5/16" 35 3/16"	H: 36 5/16" W: 42 3/16"	H: 42" W: 52"			
Unit Dimensions	H: 40" 46 5/8" Tall	W: 30 3/4" D: 21"	H: 47" 53 3/8" Tall	W: 50 3/4" D: 21"	H: 47" 53 3/8" Tall	W: 70 3/4" D: 21"	H: 44" 62" Tall	W: 41" D: 19"	H: 44 1/2" 46 1/4" 24 1/4"	H: 50 1/2" 47 1/2" Out	W: 53 1/2" 45" Out	D: 27 1/2" 21 1/4" Out	H: 60" W: 63 3/8" D: 28 1/2"

*See owner's manual for detailed fireplace specifications.

† Based on in-house testing using 5"/8" vent

U30/U50/U70

DESIGN FEATURES

- Left/Right Corner Installation Kits
- Single Sided Installation Kit
Not applicable with screened units
- Top Firebox Lighting
- Ventilated Chase Design
- 3D Stainless Steel Burner
- Optional LP Conversion Kit
- Cool Surface System
- Optional LP Conversion Kit
- Power Vent Compatible
(Approved for Duravent CVS 5"/3")
- Optional Bezels
(Black Glass, Antique Rust)
- Optional Chase Comfort Kit
- Floating Installation Compatible (U30)

FIREBOX MEDIA

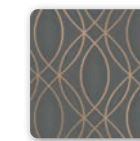
- Driftwood Log Set
- Signature Traditional Log Set
- Signature Birch Log Set
- River Rock Set w/Twigs
- Adjustable Color LED Lighting
- Glass Media
- Vermiculite
- Bezel w/Glass or Vermiculite
- Shale

LINER OPTIONS

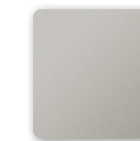
- Painted Steel Liner (Included)
- Fluted Liner
- Infinity Glass Liner - Black

COMPATIBLE WITH MOST FINISHES

The low heat nature of Urbana fireplaces allow you to use a large variety of combustible finishes during framing. Here are some examples.



Wallpaper



Drywall



Shiplap



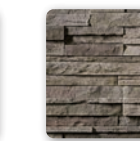
Tile



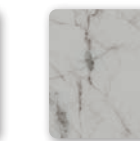
Fabric



Wood



Imitation Stone



Marble

U33/U37/U44/U55

DESIGN FEATURES

- Clean Face Design
- IPI Pilot System
- Optional LP Conversion Kit
- Top Firebox Lighting
- ClearView Safety Screen
- Stainless Steel Burner
- Cool Surface System
- Power Vent Compatible
- Optional Chase Comfort Kit
- Optional Arched Install (U37/U44 Only)
- See-Through Installation Kit (U33/U33T Only)

OPTIONAL FACE

- Forgeworks Face (U37/U44 Only)

FIREBOX MEDIA

- Driftwood Log Set (U37/U44 Only)
- Birch Log Set
- Traditional Log Set
- River Rock Set w/Twigs (U37/U44 Only)
- Glass Media (U37/U44 Only)
- Shale

LINER OPTIONS

- Painted Steel Liner (U37/U44/U55 Included)
- Rustic Brick Liner (N/A U33/U33T)
- LedgeStone Liner (U37/U44 Only)
- Fluted Liner (U33/U33T Included)
- Herringbone (Sandstone) Liner (N/A U33/U33T)
- Herringbone (Umber) Liner (N/A U33/U33T)
- Black Enameled Steel Liner (U37/U44 Only)
- Black Glass Liner
- Stainless Steel Liner (U44 Outdoor Only)

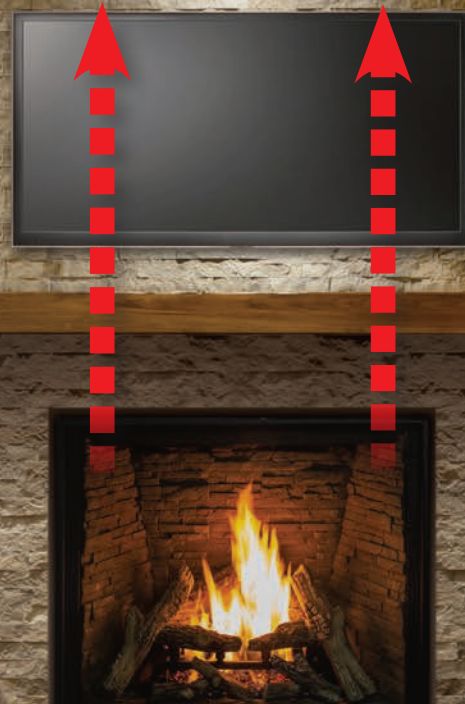
INCLUDED WITH THE U37 & U44 COOL SURFACE SYSTEM

The Cool Surface System allows the fireplaces rising heat to move safely up the chase without creating excessive surface temperatures that can damage HDTV's or other wall mounted valuables.

Rising heat is evenly vented forward into the living space above the chase

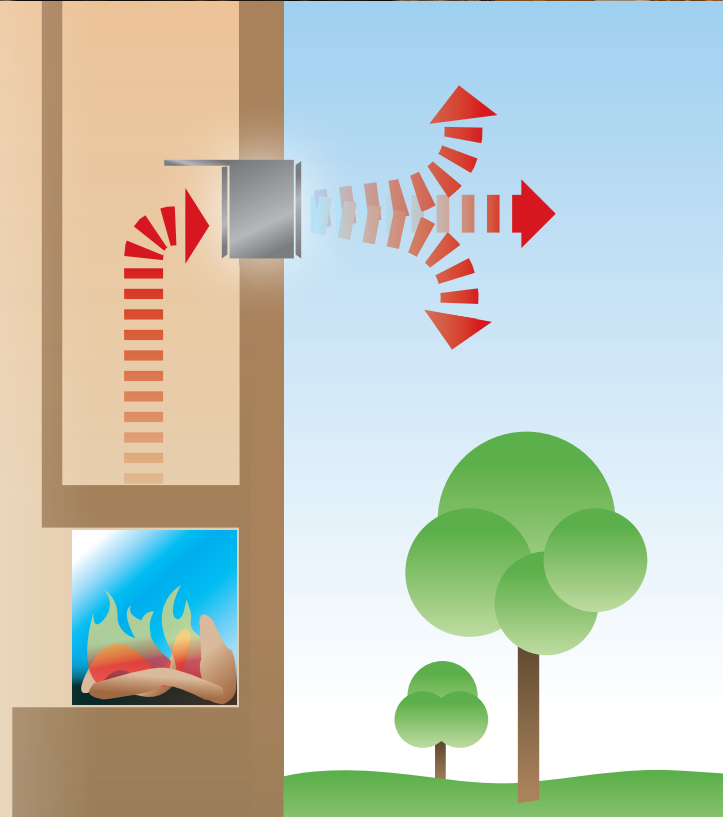
Rising heat is channeled safely past valuable wall mounted items such as a TV

Heat radiates forward from the fireplace window



COMFORT KIT

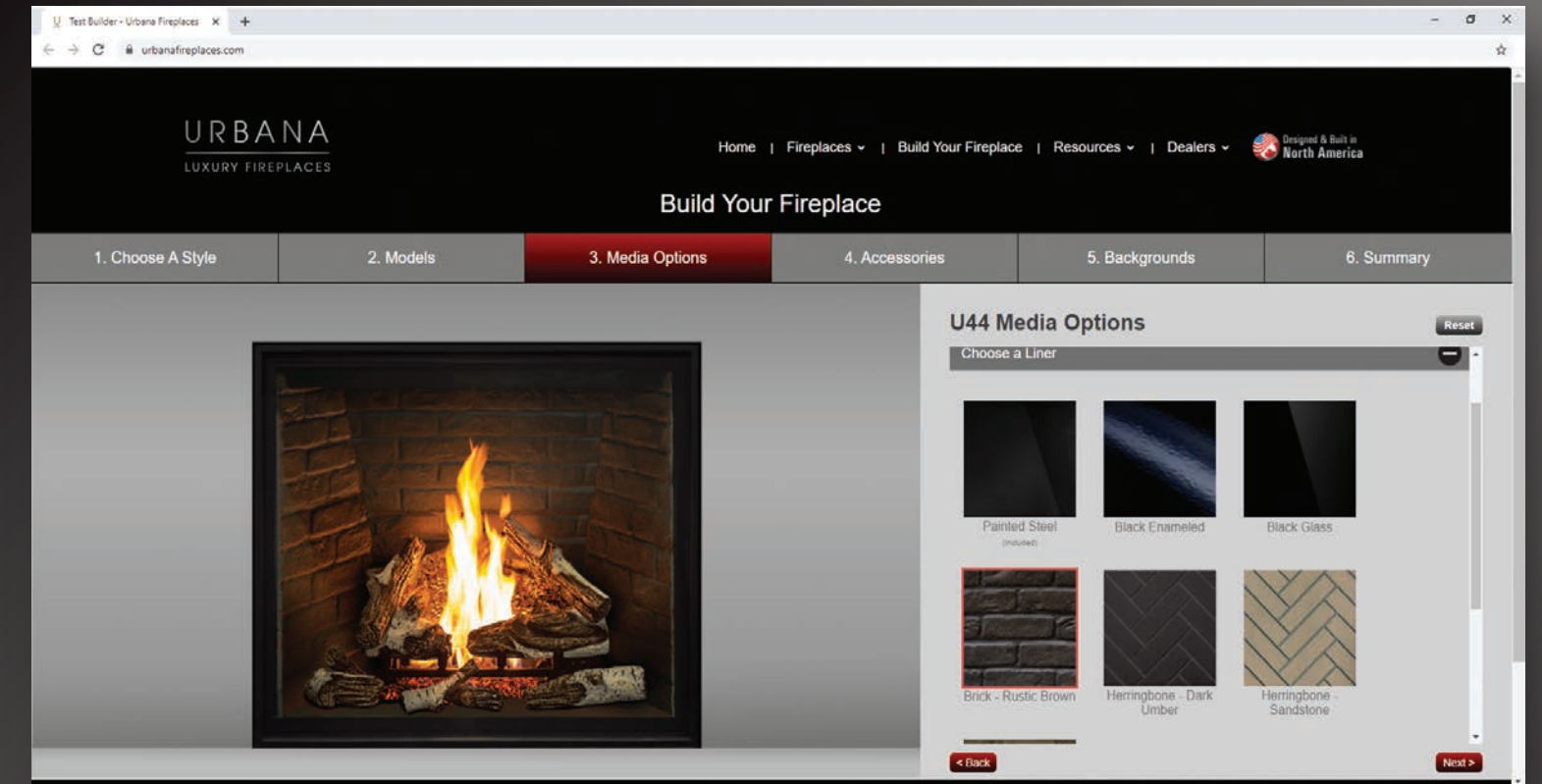
Our available Comfort Kit is an installation option that allows excess rising heat to be channeled outside through an exterior wall behind the fireplace. This setup allows you and your loved ones to enjoy a beautiful flame at comfortable temperatures.



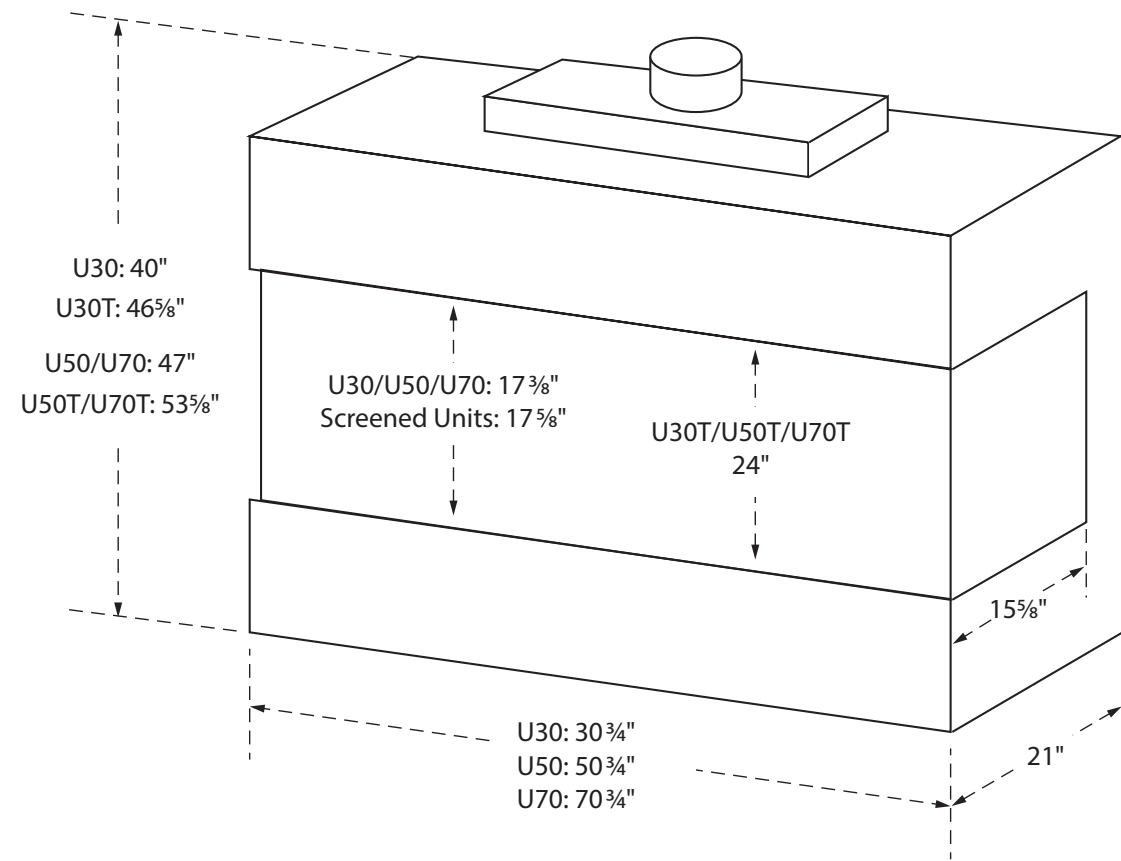
BUILD YOUR FIREPLACE

Find the ideal combination of logs and liners with the Urbana Fireplace Builder. This tool includes the ability for customers to receive a PDF of their fireplace as well as provide a list of authorized dealers in their area.

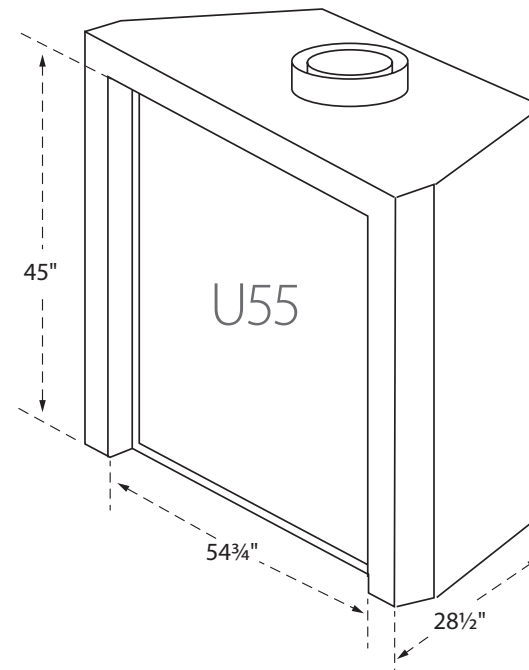
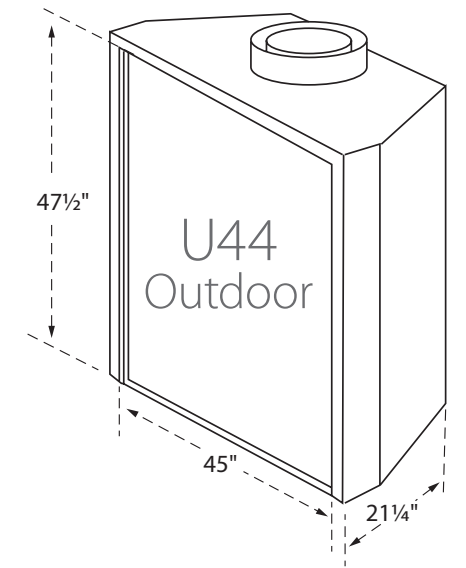
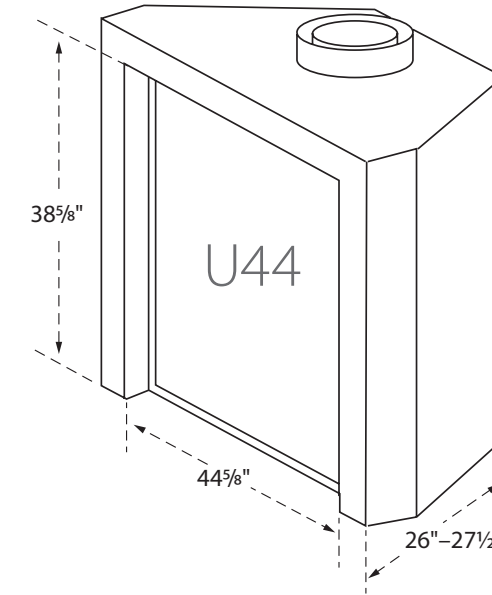
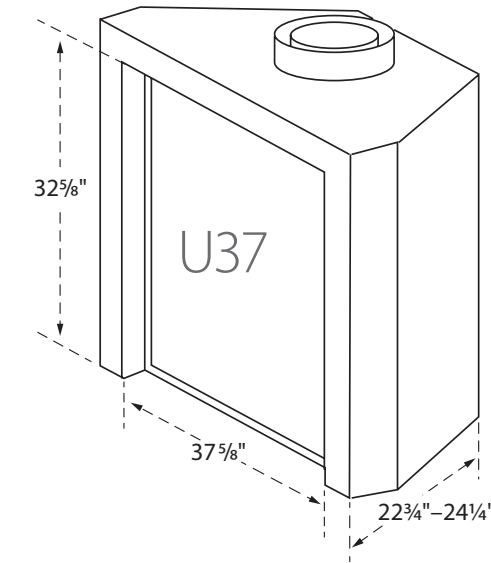
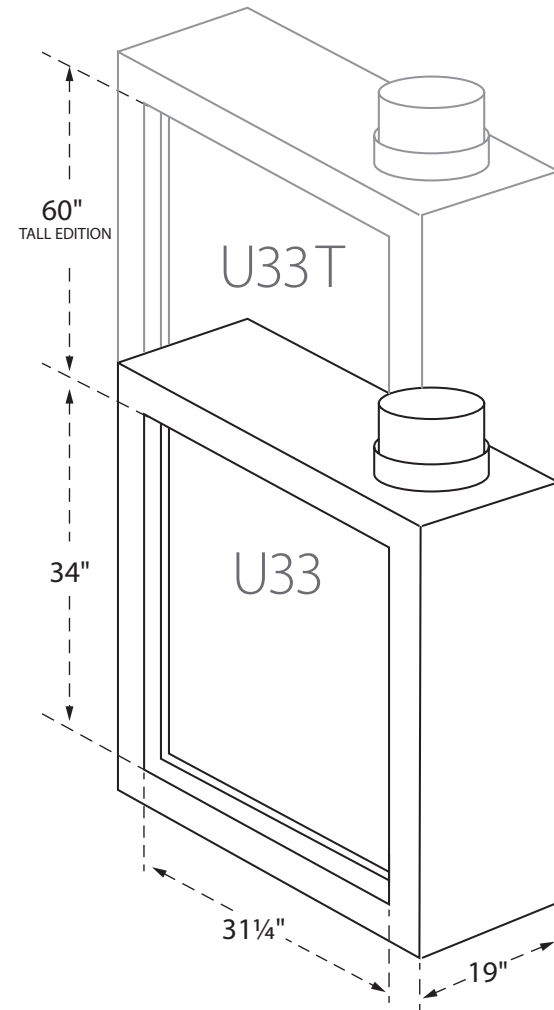
Visit urbanafireplaces.com/fireplace-builder to build your dream fireplace today



UNIT DIMENSIONS



Note: U30/U50/U70 dimensions also apply to screened editions unless indicated different.



Full Install Details Available online

Venting, Clearances, Install guides and more are available on our website. Please scan the above QR code for these guides and more detailed information.



urbanafireplaces.com



Manufactured by Sherwood Industries Ltd. • Victoria, British Columbia, Canada

Printed in Canada, October 2023