



**stuv**

AMERICA



Photo Nick Adams

I am often asked what creativity is. If there is a recipe for it.

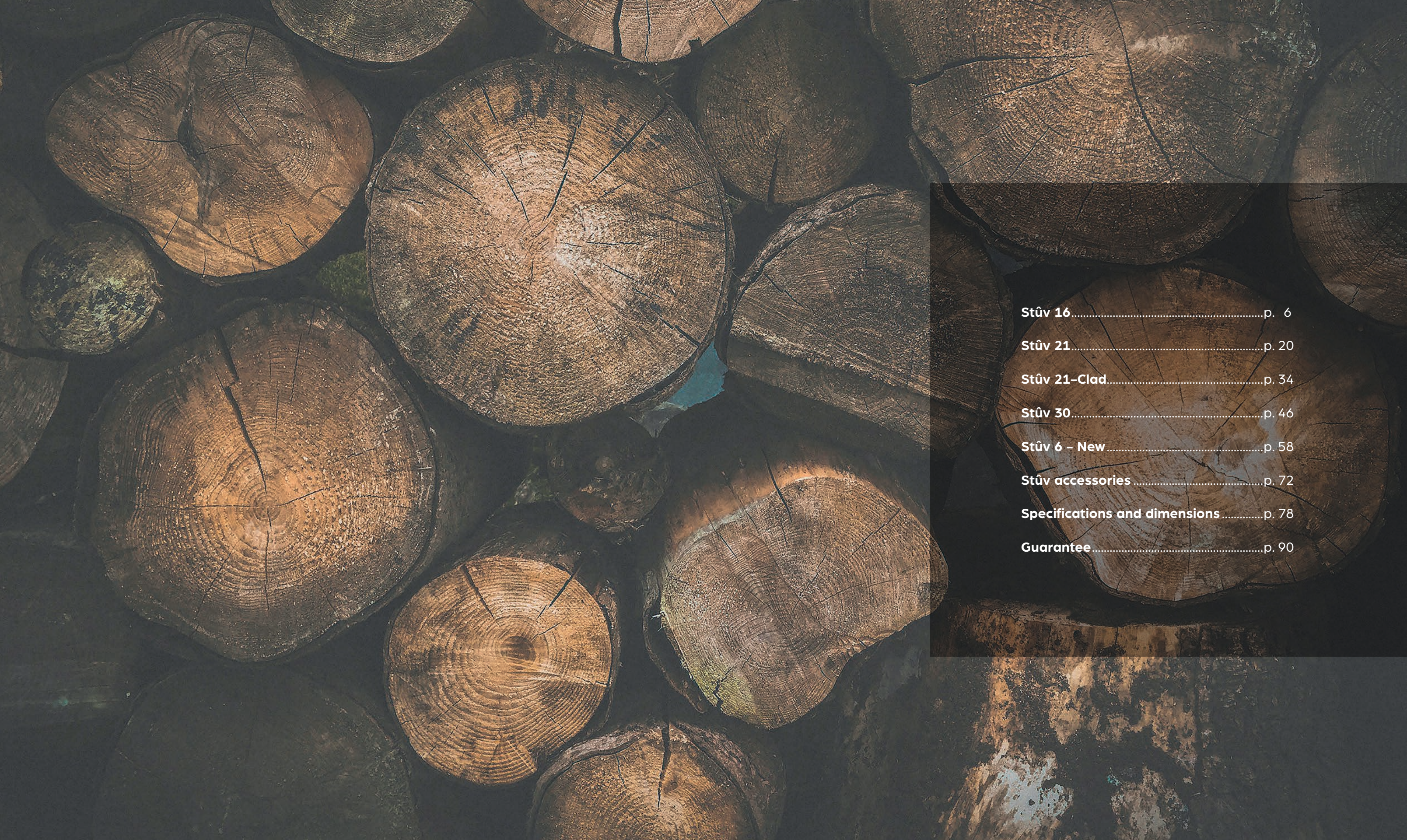
For me, it is above all the ability to seize the spirit of the moment, to immerse oneself in the outside world, to have one's eyes wide open to this multitude of constantly changing phenomena that influence our existence.

It is possible to simply undergo these phenomena, to tell oneself that they are inevitable, to let oneself be carried away by them without resistance.

We can also try to fight against them. Swim against the current. Choose where we want to go.

I believe that through this attitude, lies the beginning of creativity.

**Gérard Pitance**  
Designer & Founder



**Stûv 16** .....p. 6

**Stûv 21** .....p. 20

**Stûv 21-Clad** .....p. 34

**Stûv 30** .....p. 46

**Stûv 6 – New** .....p. 58

**Stûv accessories** .....p. 72

**Specifications and dimensions** .....p. 78

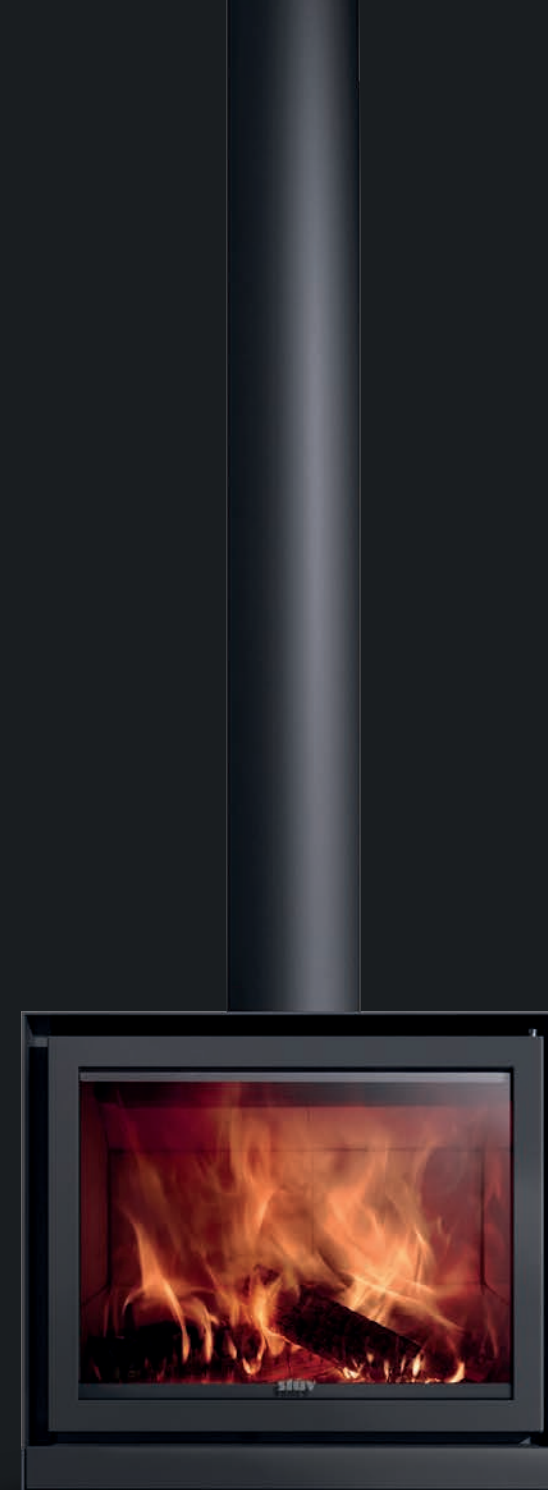
**Guarantee** .....p. 90

# STÛV 16

ELEGANCE

## MAGNIFY WOOD HEATING

Perfect for wood-burning enthusiasts, the Stûv 16 line has a sleek design to showcase the beauty of the flames and a very wide opening that creates an abundant diffusion of heat.



# PERFORMANCE & INNOVATION

BRING FIRE TO ITS PUREST STATE

The combustion techniques of the Stûv 16s optimize their efficiency while eliminating their environmental impact: to release a maximum amount of heat with a minimum of fine particle emissions into the atmosphere.

With five models available in three sizes, this product line offers many design options. From the family room to the living room, from the condo in the city to the country house, there is a Stûv 16 for every lifestyle.



Stûv 16-78 cube



## COTTAGE LIFE ALL YEAR ROUND

The performance of the Stûv 16 line is always surprising because of its power and the gentle heat that quickly spreads through the entire house.



Photo Nathan Dumlao



Stûv 16-68 Z & thin edge frame  
APPAREIL Architecture | Photo Félix Michaud



Stûv 16-78 in

# STÛV 16

TAILOR-MADE SOLUTIONS WITHIN EVERYONE'S REACH

Available as a single unit stove, with an integrated wood storage or on a podium, in an insert format or in a fireplace, the Stûv 16 line offers a multitude of possibilities.



## AUTOMATIC CONTROL

The air intake of the Stûv 16s is factory configured so that the amount of air that is supplied to the combustion chamber is perfectly calibrated for optimum performance. No air damper to adjust, just light the fire and enjoy.





## CONCEAL FUNCTIONALITIES

No handle or convection grill is visible on the Stûv 16s. A key serves as a tool to open the hinged door. The heat is released into the room via an opening between the combustion chamber and its shell. Behind these features, ingenious mechanisms ensure proper operation of the unit.

Stûv goes to great lengths to conceal the features of its devices so that your experience can be enhanced.





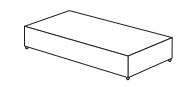
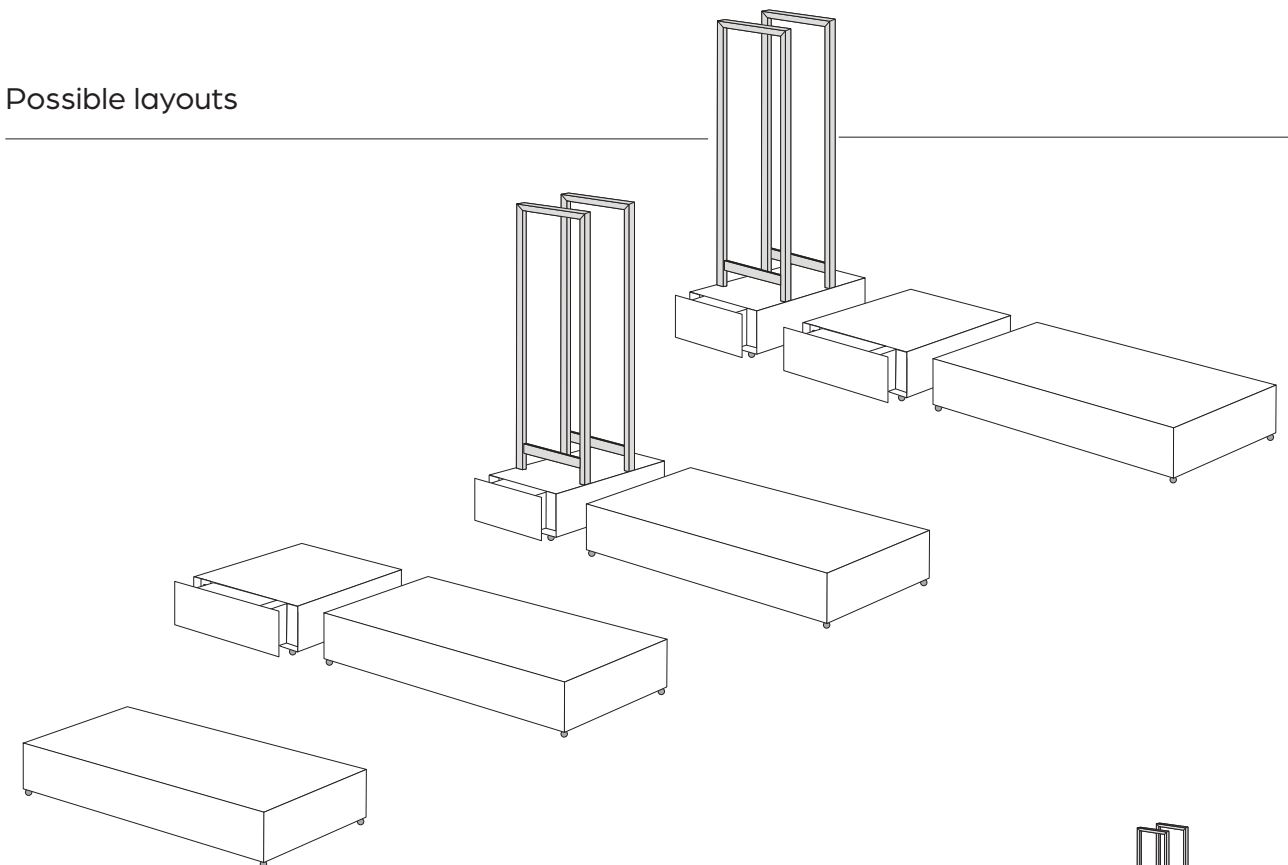
Stûv 16-68 cube and podium set

# PODIUM

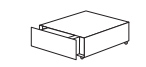
## THE STÛV 16 PODIUM SET

Offered separately, it is possible to create the layout that best suits each project.

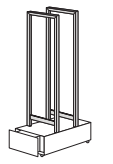
### Possible layouts



Podium



Accessory drawer



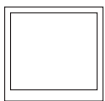


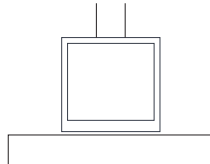
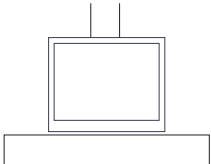
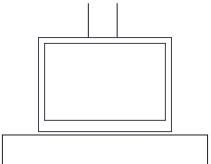
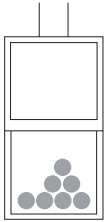
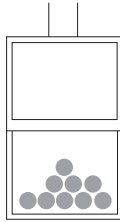
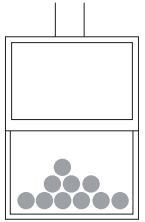
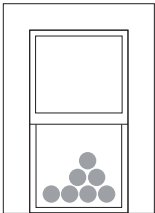
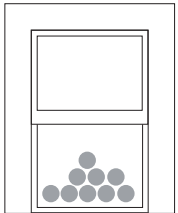
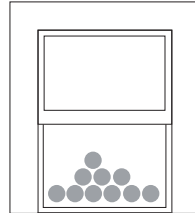
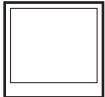
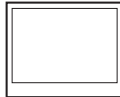
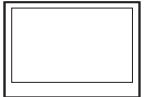



Mobile log rack with drawer

### Available colours

- StûvGrey
- White *RAL 9010*

	Podium	Accessory drawer	Mobile log rack with drawer
Width	47 1/4"	23 5/8"	18 1/8"
Height	8 3/8"	8 3/8"	53 3/4"
Depth	23 1/4"	23 1/4"	23 1/4"

models and options

			
Size	<b>16-58</b>	<b>16-68</b>	<b>16-78</b>
Certification	<b>EPA</b>	<b>EPA</b>	<b>CSA B-415</b>
16-cube and podium			
16-H			
16-combo			
16-Z   16-in and thin edge frame (3,5 mm)			
16-Z   16-in and picture type frame (2", 4" or 6")			



Stûv 16 summary

## ADVANTAGES

- High heating power
- Precision assembly
- Generates little ash
- Easy to use
- Can be connected to outside air

## WHY

**Suitable for all types of interiors**  
Classic, rustic and contemporary.

**Priority to the view of the fire**  
Its minimalist door frame leaves a large glass surface to take full advantage of the view of the fire.

**Environmental performance**  
Its dual combustion system generates optimal efficiency, which minimizes fine particle emissions into the air.

**No more firewood recutting**  
Its large combustion chamber can accommodate 17", 21" or 25" logs depending on the model.

# STÛV 21

DISCREET AND TIMELESS

## A FIREPLACE TO INSPIRE NEW PATHS

With the Stûv 21 line, there is no frame at the bottom to affect the view of the fire, whether or not the guillotine glass window is raised. Even with an open fire, you never see the door mechanisms. There is no fixed handle to break the minimalist design of the unit. The Stûv 21 line is made to highlight the decor and showcase only the fire.



# ATMOSPHERE & PERFORMANCE

COMBINE THE PLEASURE  
OF FIRE WITH PRACTICAL HEATING

With family, friends, alone or for a romantic evening, the Stûv 21 transports you into a state of well-being. Its very large combustion chamber heats up spaces in no time. Stûv 21s are designed to blend into its decor for an authentic experience.



## HYBRID IN ITS CLASS

Heat according to your needs. No compromises on ambiance. By lowering the guillotine glass window, you can quickly switch from an ambiance fire to a heating system adapted to today's builds. The heat is distributed via a versatile convection system.



Stûv 21-125  
Photo Ema Peter Photography



Stûv 21-85 DF

## DOUBLE VISION

Also available in double face, the Stûv 21 DF models feature two guillotine glass windows that can be raised or lowered on either side. Unique on the market, they are perfect for connecting two rooms.

# STÛV 21

## FIRE IN HIGH DEFINITION

Only a delicate steel frame contours the combustion chamber. These clean lines allow it to integrate into all styles: rustic, classic or contemporary. Stûv 21s offer a great view of the fire: 10% frame for 90% view.





## THE WOW FACTOR

From the very start of the creation process, designers consider how to surprise and charm users. The Stûv 16 line has no visible handles and a removable key to open and close the door. The Stûv 21 line with its guillotine glass window allows for an open or closed fire according to the user's preferences. When the window is partially raised, no frame impairs the view of the fire. The three doors of the Stûv 30 models allow for three different combustion modes.

All Stûv stoves and fireplaces have an element of surprise.

# THE CONVECTION SYSTEM

FLEXIBLE AND MODULAR

The Stûv 21 convection system consists of 2 ambient air intakes and 2 hot air outlets. This mandatory system serves 2 functions: to temper the alcove of the fireplace and to distribute heat in the room to heat the house. When only a front configuration is possible a linear grid convection system is also available. This new option offers a discreet design perfectly suited for this type of installation.

Several configurations are possible to perfectly integrate the grids of the convection system to your décor.



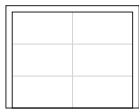
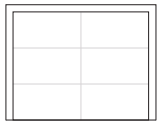
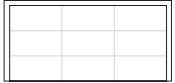
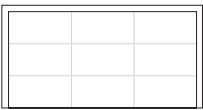

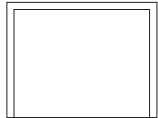

Convection system with linear grid  
Photo Oblica

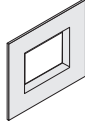
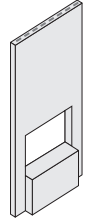
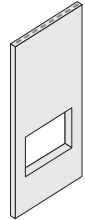
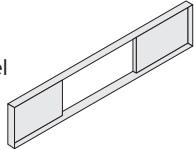
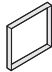
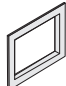


Chantale Tétreault design | Photo Annie Fafard



models and options

Size	 <b>21-85</b>	 <b>21-95</b>	 <b>21-105</b>	 <b>21-125</b>
Size Double face	 <b>21-85 DF</b>	 <b>21-95 DF</b>		 <b>21-125 DF</b>

Front panel SF4		✓	✓	✓	✓
Front panel SF5		✓	✓	✓	✓
Integrated convection system					
Front panel SF6		✓	✓		✓
Integrated convection system					
Front panel SF8				✓	
Thin edge frame		✓	✓	✓	✓
Picture type frame		✓	✓	✓	✓



Stûv 21 summary

## ADVANTAGES

- Hybrid – Ambiance fire or auxiliary heating
- Versatile convection system
- Can be connected to outside air
- Accessible mechanical components
- High heating power
- Easy to light
- Generates little ash

## WHY

**Minimalist design**  
Many possibilities for architectural integration.

**Wide view of the fire**  
Its guillotine glass window with no frame at the bottom never obstructs the view on the fire.

**Elegant**  
Invisible mechanism and slides regardless of whether the glass window is up or down.

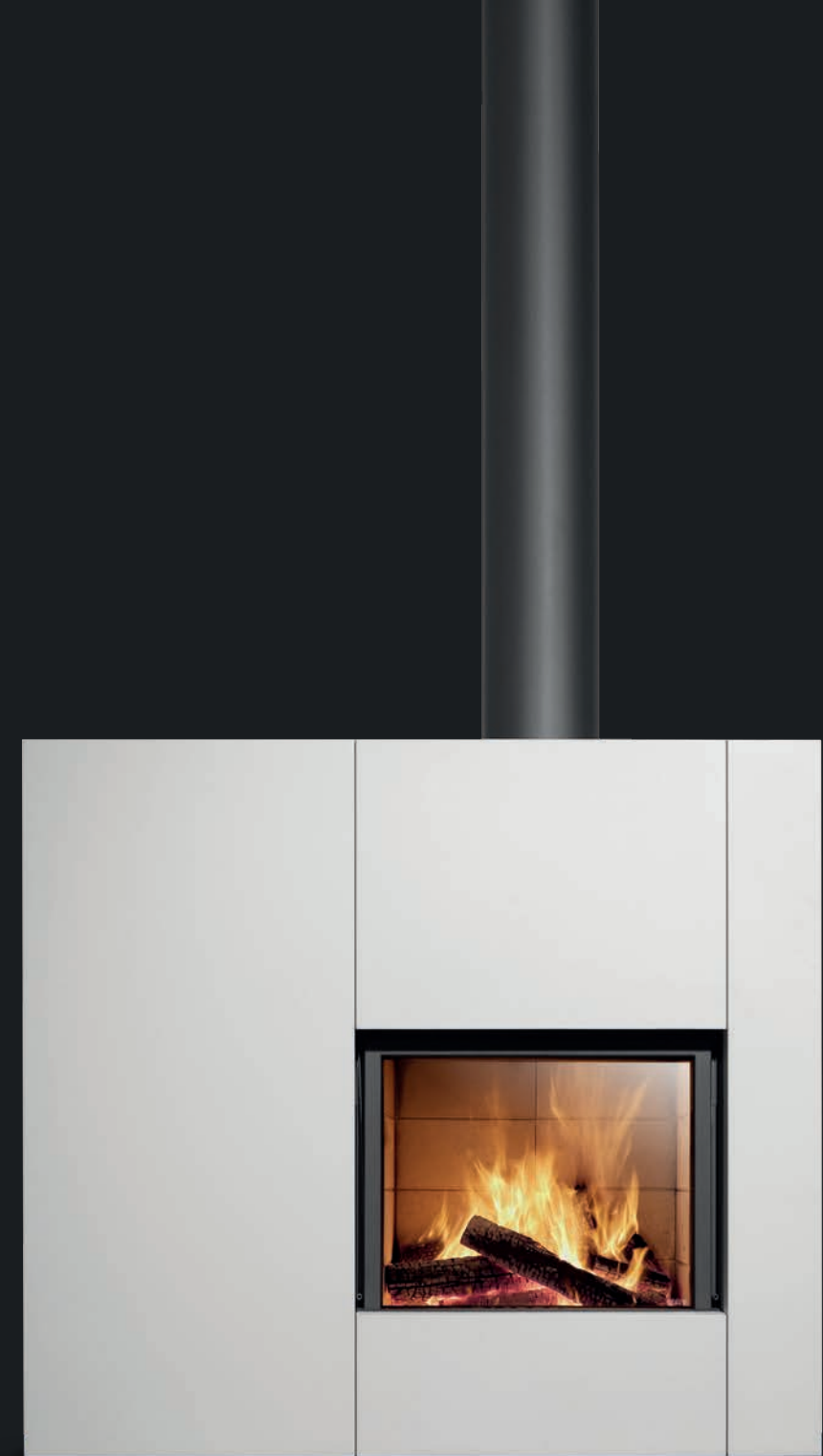
**Easy to clean**  
The door tilts forward to make cleaning easier.

# STÛV 21-CLAD

SIMPLE AND INGENIOUS

## RETHINKING THE FIREPLACE

The Stûv 21-clad line is a turnkey fireplace. Like the Stûv 21 line, it offers an open or closed fire, high-performance heating, a sleek design, and it does not need to be fitted into a wall, nor does it require special finishing work. Thanks to their steel casing, they are as easy to install as a stove.

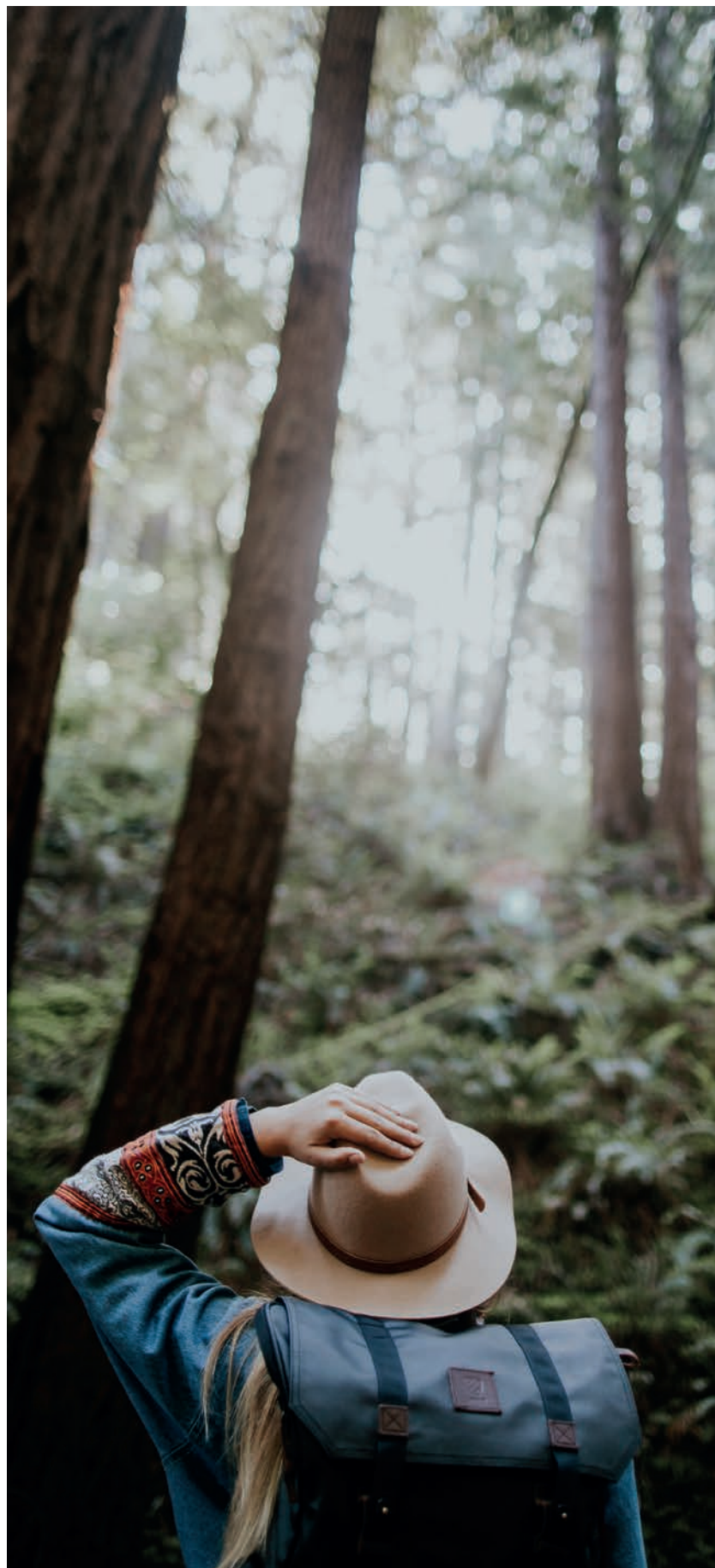


# BEAUTIFUL & PRESTIGIOUS

## COMBINING AESTHETICS AND FUNCTIONALITY

Considered as a piece of furniture able to complement any decor, the Stûv 21-clad has a condensed set of practical features. Because the convection system is integrated into the steel shell, there is no need to install the ambient air inlet grids or the hot air outlet grids. Log storage on the right or left side simplifies daily wood management.





Stův 21-85 clad SF2 left asymmetrical



Stův 21-125 clad SF2 right asymmetrical  
Photo Oblica

# UNIQUE PIECES

## STRIVE FOR PERFECTION

Available in single and double sided, the Stûv 21-clads are freestanding fireplaces composed of a Stûv 21 fireplace and a hand-made metal cladding. These designs are unique in North America and require factory precision assembly and a sharp finish. Each piece is carefully crafted to perfection. Therefore, the 21-clad requires several weeks of production.

The result is worth the wait since the outcome is a masterpiece that sits in the heart of your home.



### RUST FINISH

#### CONTEMPORARY AND AUTHENTIC

The rust finish of each piece is obtained by natural oxidation in a controlled environment. This process carried out by our artisans requires several weeks of work to achieve the desired result. The Stûv 21-clad in rust finish are real works of art that inspire refinement and comfort.

In addition to the rust finish the Stûv 21-clads are available in 4 other colours, StûvGrey, White RAL9010, Grey RAL9070 and StûvBlack.



## OBSERVE FRUSTRATIONS AND INNOVATE

A traditional fireplace must be built into a wall and requires additional finishing work. This installation necessity can sometimes become an obstacle to the realization of a project. Stûv has therefore developed a concept of steel shells to simplify installation, allow quick integration and enhance the fireplace.

Innovation is constantly at the heart of the development of a unit and always comes from a real need to be filled.

models and options

Size	21-85	21-95	21-105	21-125
SF2 Right	✓	✓	✓	✓
SF2 Left	✓	✓	✓	✓
Size Double face	21-85 DF	21-95 DF		21-125 DF
DF2	✓	✓		✓
DF7	✓	✓		✓

Stûv 21-clad summary

## ADVANTAGES

- Quick and easy installation
- Hybrid - Ambiance fire or auxiliary heating
- Integrated convection system
- Can be connected to outside air
- Accessible mechanical components
- High heating power
- Easy to light
- Generates little ash

## WHY

### No finishing work required

The steel shell transforms the fireplace into a self-supporting unit.

### Minimalist design

Many possibilities for architectural integration.

### Wide view of the fire

Its guillotine glass window with no frame at the bottom never obstructs the view on the fire.

### Elegant

Invisible mechanism and slides regardless of whether the glass window is up or down.

### Easy to maintain

The door tilts forward to make cleaning easier.



# STÛV 30

REVOLUTIONARY

## DARE TO REINVENT THE WOOD STOVE

The Stûv 30 offers wood stove lovers a multitude of new possibilities: efficient heating, great view of the fire, heat accumulator, 360° rotation and even year-round BBQ. Outstanding due to their many features, the Stûv 30 is also appreciated for its perfect balance between pleasure and performance.





# VERSATILITY & EFFICIENCY

GIVE THE PRIVILEGE OF CHOOSING



Stuv 30 stoves have three doors, giving you three ways to enjoy the fire. This internationally patented concept has revolutionized the wood-burning stove and fireplace market.

The glass door magnifies the view of the fire and warms the room. The full door, ideal for letting a fire burn overnight, envelops the house in comforting warmth. And finally, the loading door makes it quick and easy to add a log and do some grilling.

The Stuv 30s can also be oriented in the desired direction. Enjoy an aperitif in front of the fire in the living room, then swivel the unit towards the dining room for dinner.





Photo Jessika Kerwin



Stûv 30-compact H

### THE SHOW MUST GO ON

With its optional heat accumulator, the Stûv 30-compact H prolongs heating time. Once the fire is out, the heat continues to be released into the house for many hours.



Loading door



Glass door



Full door

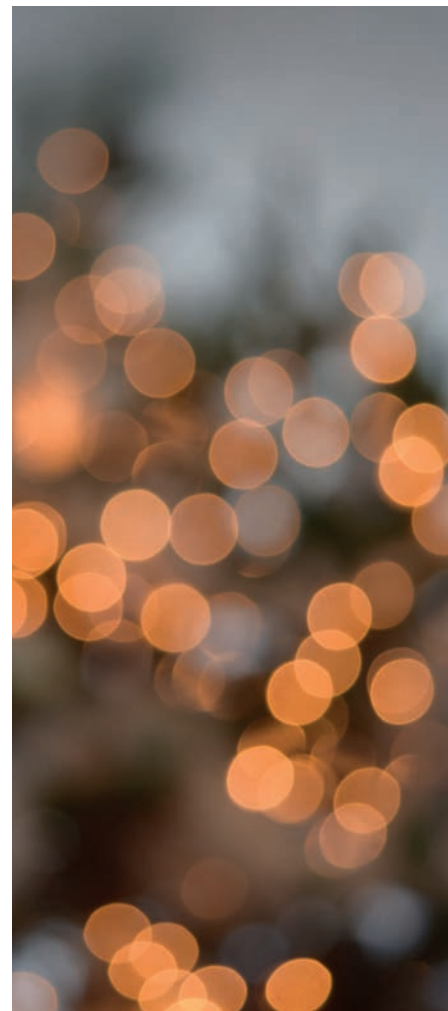
# STÛV 30

## REDEFINING THE FIREPLACE SPACE

In a corner, along a wall or even in the center of a room, the Stûv 30 can easily be used in small or large rooms.  
Add a floor plate, a mobile log rack and you have a new fireplace area.



Stûv 30-compact and mobile log rack  
Hinter Company | Photo therollingvan



Stûv 30-compact  
Boom Town architects | Photo Maxim Brouillet

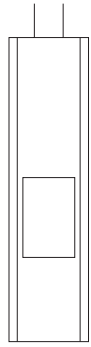
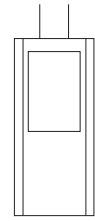
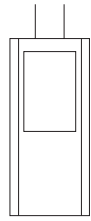


## REVEALING THE FORM OF THE FUNCTION

Many Stûv models are born of the frustration of having to choose between a high-efficiency stove and a fireplace with an open fire. The desire to make no compromises and to combine as many benefits as possible in one unit pushes our team to always think differently about the traditional shape of a fireplace.

The cylindrical shape of the Stûv 30 is the result of this desire, to offer users the possibility to change the combustion mode according to their needs.

models and options



Size                      **30-compact ONE BLACK**                      **30-compact**                      **30-compact H**

Colour                      StûvBlack                      StûvGrey                      StûvGrey

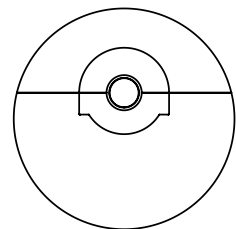
Glass door only                      ✓

3 doors                                           ✓                      ✓

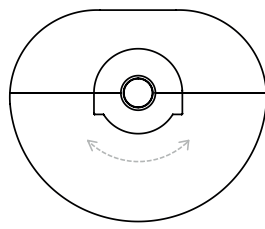
360° Rotation                      ✓                      ✓                      ✓

Floor plate

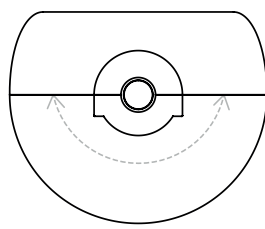
4 choices according to the selected rotation angle.



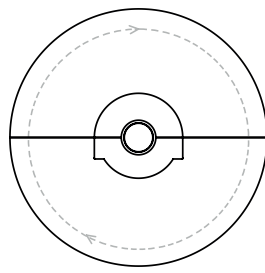
0°  
ROTATION



90°  
ROTATION



180°  
ROTATION



360°  
ROTATION

Available colours

● StûvGrey                      ● StûvBlack

Stûv 30 summary

ADVANTAGES

- 3 operation modes
  - 360° rotation
  - Ash pan integrated into the base of the unit
  - Easy to light
  - Generates little ash
  - Can be connected to outside air
  - Low fine particle emission rate

WHY

**Suitable for all types of interiors**  
*Classic, rustic and contemporary.*

**Priority to the view of the fire**  
*The curves of the unit enhance the view of the flames.*

**Energy saving**  
*Its dual combustion system generates optimal efficiency, which saves energy.*

**No more firewood recutting**  
*Its large combustion chamber can accommodate 16" vertical logs.*

**Easy to clean**  
*Each door is equipped with hinges to make cleaning easier.*



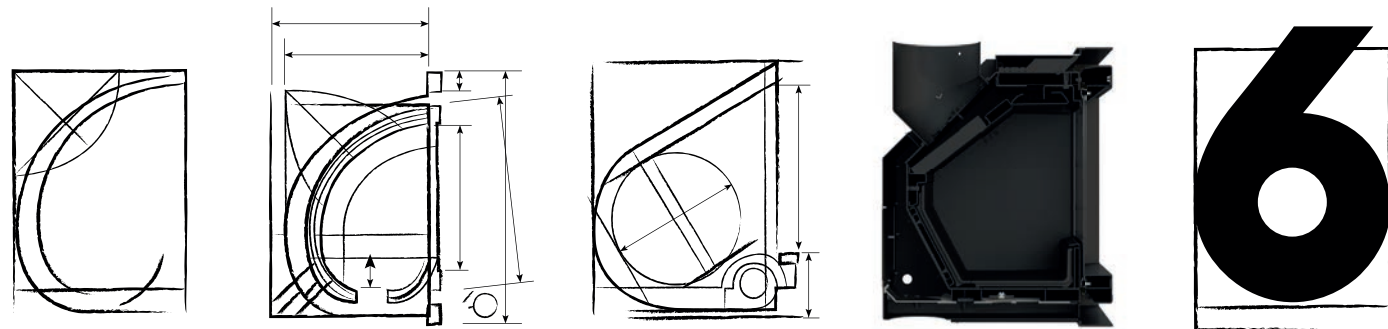
NEW

# STÛV 6

AN INNOVATIVE DESIGN

## THE ESSENTIAL FIRE

Stûv 6 was named for the distinctive shape of its inner workings, which came about when the designers sought to develop the most effective form for natural air circulation. Concealing the true complexity of the technology, the result is a shape we all recognize : the number 6.



# INNOVATION THROUGH DESIGN & EXPERIENCE

COMBINING FORM AND FUNCTION

This wood-burning insert's sleek and modern design perfectly suits the classic look of masonry hearths. The entire appliance has been designed to make it easy to install in small hearths. Stûv 6 offers smaller insert dimensions while guaranteeing a generous view of the fire and high-efficiency combustion.



Stûv 6-in 66 x 50





Photo François Chevalier - Stûv 6-in 76 x 55





MAKING THE FIRE THE FOCUS

# TIMELESS STYLE

Notable for its tapered door frame—which offers a breathtaking view of the fire—and for being incredibly compact, the Stûv 6 wood-burning insert can be easily installed in any masonry hearth. Whether you are looking to replace an older-generation insert or to restore your hearth to its true purpose, Stûv 6 is an energy efficient and environmentally respectful solution.





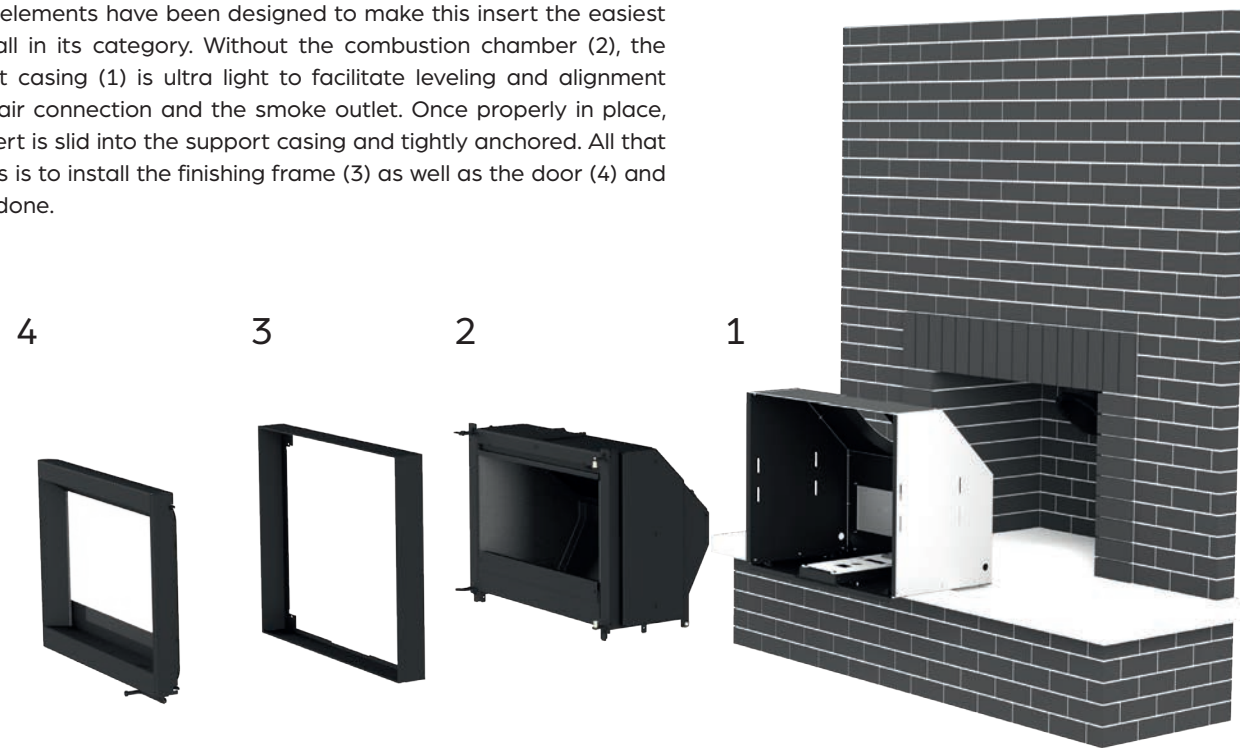
## HARNESSING SIMPLICITY

Simplicity became a priority very early in the design process. From form to function and installation to maintenance, every aspect was carefully considered to eliminate unnecessary elements and favour an optimal experience over the latest trends. This principle stems from the desire to create timeless, label-free appliances that will meet the needs of several generations of users.

Stûv 6 units were designed to be enjoyable and easy to use. Several ingenious mechanisms let users easily light the fire and then sit back to enjoy it.

## EASY INSTALLATION

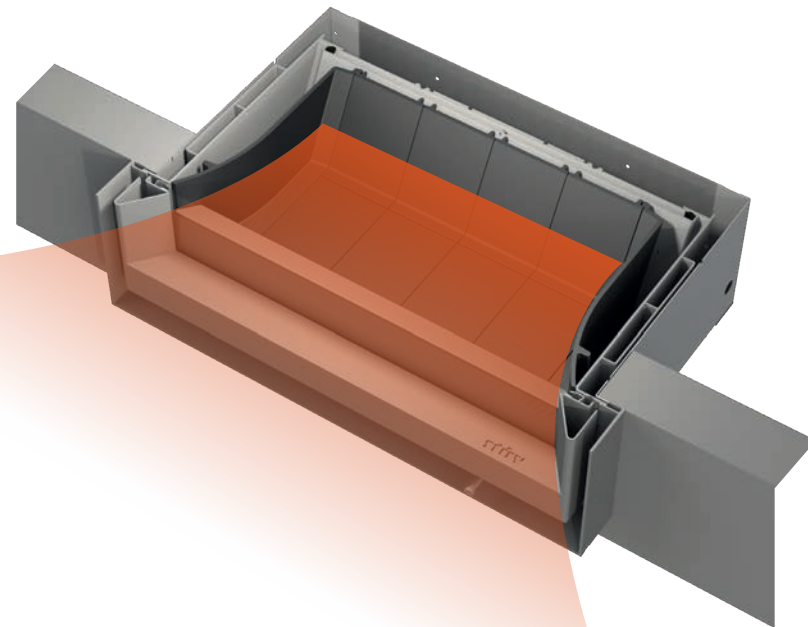
All the elements have been designed to make this insert the easiest to install in its category. Without the combustion chamber (2), the support casing (1) is ultra light to facilitate leveling and alignment of the air connection and the smoke outlet. Once properly in place, the insert is slid into the support casing and tightly anchored. All that remains is to install the finishing frame (3) as well as the door (4) and you're done.



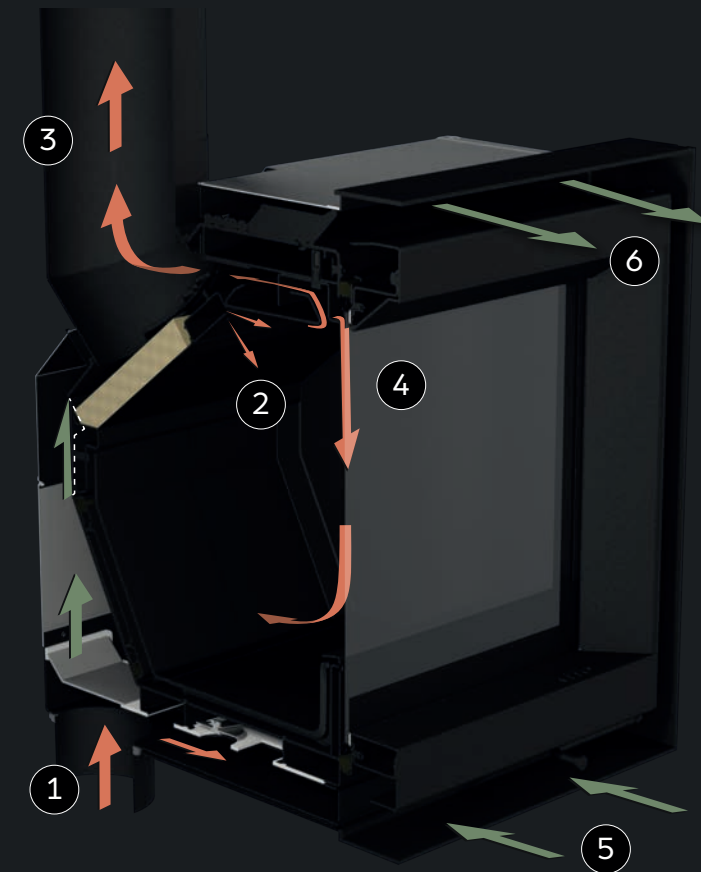
## OPTIMAL PERFORMANCE

The shape of Stuv 6's door frame and combustion chamber offer a wide view of the fire while requiring little space in the hearth.

The cast iron combustion chamber provides high heat resistance and maximizes the appliance's performance.



## FIRE-ENHANCING PERFORMANCE



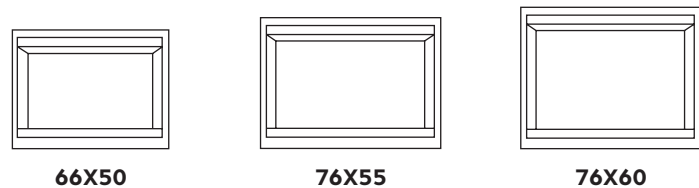
### COMBUSTION

1. The air required for combustion can either be taken from the room via the front of the appliance or from an outside air intake.
2. The air injected at the top of the combustion chamber allows the gases to be burned a second time, preventing fine particles from being released into the air.
3. Once the gases are burned, they are evacuated through the flue.
4. Air flow along the glass helps keep it clean while increasing the insert's efficiency.

### CONVECTION

5. The ambient air gathered from the room through the front of the appliance moves along the combustion chamber, absorbing heat.
6. Once heated, this air exits naturally through the appliance's upper frame.

models and options



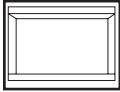



Size

66X50

76X55

76X60

**Finishing frames**

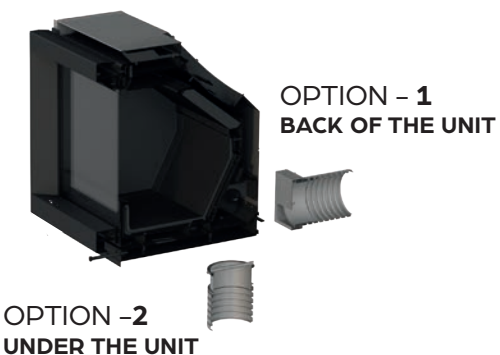
Thin-edge frame		W	26"	29 <sup>15</sup> / <sub>16</sub> "	29 <sup>15</sup> / <sub>16</sub> "
		H	19 <sup>11</sup> / <sub>16</sub> "	21 <sup>11</sup> / <sub>16</sub> "	23 <sup>5</sup> / <sub>8</sub> "
2" picture-type frame		W	29 <sup>3</sup> / <sub>8</sub> "	33 <sup>5</sup> / <sub>16</sub> "	33 <sup>5</sup> / <sub>16</sub> "
		H	21 <sup>3</sup> / <sub>8</sub> "	23 <sup>3</sup> / <sub>8</sub> "	25 <sup>5</sup> / <sub>16</sub> "
4" picture-type frame		W	33 <sup>5</sup> / <sub>16</sub> "	37 <sup>1</sup> / <sub>4</sub> "	37 <sup>1</sup> / <sub>4</sub> "
		H	23 <sup>3</sup> / <sub>8</sub> "	25 <sup>5</sup> / <sub>16</sub> "	27 <sup>5</sup> / <sub>16</sub> "
6" picture-type frame		W	37 <sup>1</sup> / <sub>4</sub> "	41 <sup>3</sup> / <sub>16</sub> "	41 <sup>3</sup> / <sub>16</sub> "
		H	25 <sup>5</sup> / <sub>16</sub> "	27 <sup>5</sup> / <sub>16</sub> "	29 <sup>1</sup> / <sub>4</sub> "

Available colour

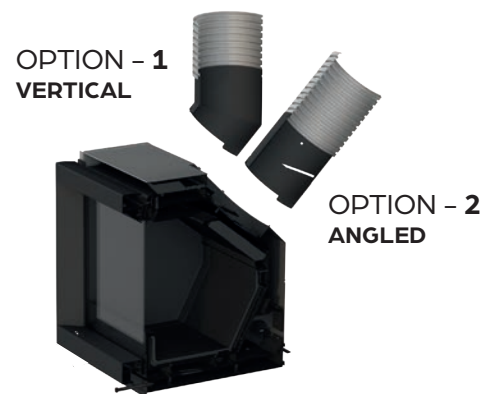


Dimensions for information only. See the installation manuals for details.  
Overall dimensions W = Width | H = Height

**Air intake options 4"**



**Smoke outlet options 6"**



**ADVANTAGES**

- Heating power adapted to the smallest spaces
- Automatic combustion air inlet calibration
- Precision assembly
- Produces little ash
- Easy to light
- Low fine particle emission rate

**WHY**

**Fits all masonry hearths**

Its reduced insert dimensions allow it to be easily installed in small hearth openings.

**Puts the focus on the fire**

The door frame's unique shape offers a large glass surface for maximum fire viewing.

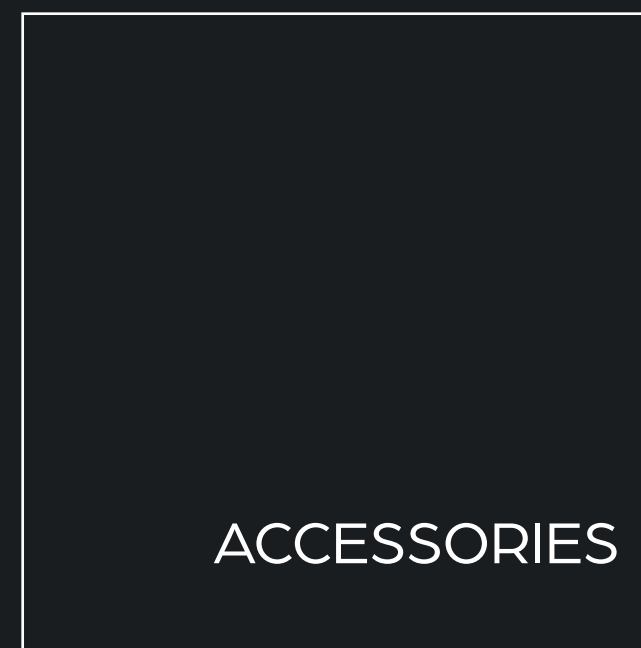
**Energy-efficient performance**

Its dual combustion system ensures optimal performance while greatly reducing fine particle emissions.

**Sleek design**

Suits all decor styles: classic, rustic and contemporary.





ACCESSORIES



# CONVENIENT & POPULAR

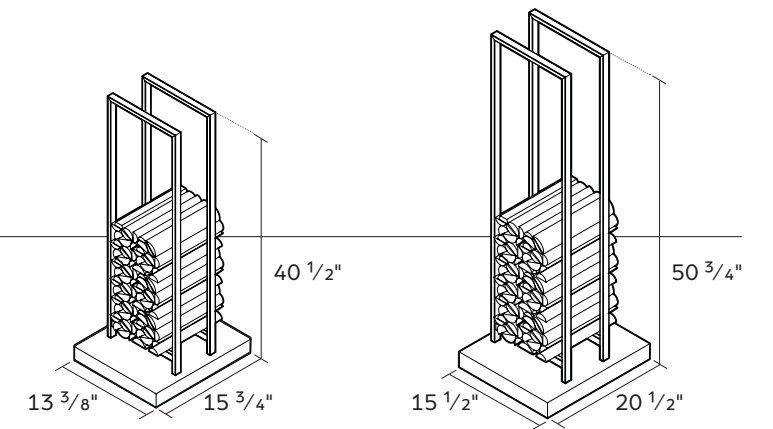
MAKING THE ACCESSORY ESSENTIAL

The mobile log rack and the Mobilobox are designed to simplify and enhance the use of any unit.

## Mobile log rack

The ideal solution for storing wood. Thanks to its manoeuvrability, it moves easily.

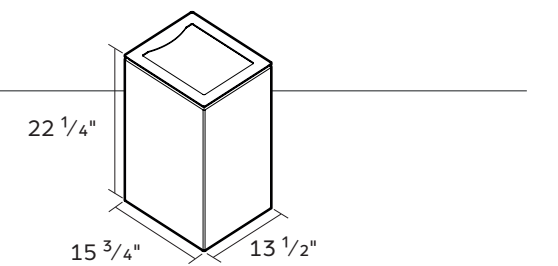
Available colour  
 StûvGrey



## Mobilobox

This small mobile box is easy to handle and has integrated storage for firewood, matches and fire starters.

Available colour  
 StûvGrey



### Stûv 21 guillotine fire screen

Sturdy and discreet, the Stûv 21 guillotine fire screen lets you enjoy an open fire in complete safety. Its stainless steel structure makes it strong while its delicate mesh lets you fully enjoy the view of the flames.

Like the guillotine glass pane, the fire screen has a handgrip on both the right and left, so you can open it from either side.

Available as an option, it can be added to your Stûv 21 later, regardless of the finish around your fireplace. This elegant screen, with no visible mechanism or finishing material, forms an integral part of the appliance.

The Stûv 21 guillotine fire screen is the essential accessory for enhancing the wood fire experience at home.



### BBQ grill

Food cooks by radiant heat without touching the flames. The cooking juices are collected in the stainless steel tray, and the odours are drawn up through the chimney.

Available for Stûv 30-compact and 30-compact H models.



### Heat accumulator Stûv 30-compact H

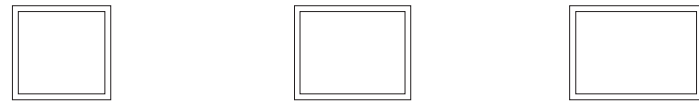
A core made of refractory bricks accumulates some of the heat while the unit is in operation. Once the fire is out, the unit can radiate for many hours.



SPECIFICATIONS  
& DIMENSIONS



SPECIFICATIONS AND DIMENSIONS



Size	16-58	16-68	16-78
Maximum length of logs	17"	21"	25"
Efficiency (EPA)	70,3%	61,6%	66,6%
Certification	EPA	EPA	CSA B-415
Particle emissions	1.47 g/h	1.94 g/h	3.1 g/h
Maximum power*	65 000 BTU/h	82 000 BTU/h	86 000 BTU/h
EPA power*	27 015 BTU/h	24 818 BTU/h	28 765 BTU/h
Nominal heat output*	46 000 BTU/h	50 000 BTU/h	58 000 BTU/h
Heating surface area	1 400 ft <sup>2</sup>	1 650 ft <sup>2</sup>	2 100 ft <sup>2</sup>
Firebox size	1.6 ft <sup>3</sup>	2 ft <sup>3</sup>	2.2 ft <sup>3</sup>
Glass width	17 5/8"	21 9/16"	25 1/2"
Glass height	16 9/16"	16 9/16"	16 9/16"
Outside air duct	ø 4"	ø 4"	ø 4"

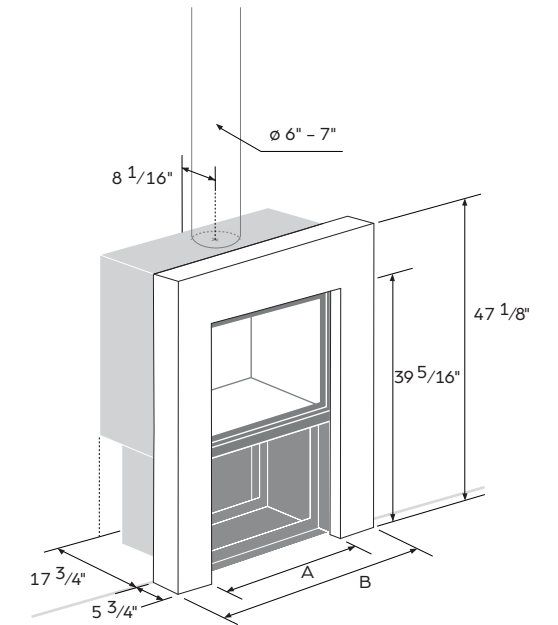
\*For additional information on powers, please see: <https://stuvamerica.com/en/inspirations/tips-and-techniques/power-btu/>

SPECIFICATIONS AND DIMENSIONS

**Stûv 16-combo**

Fireplace

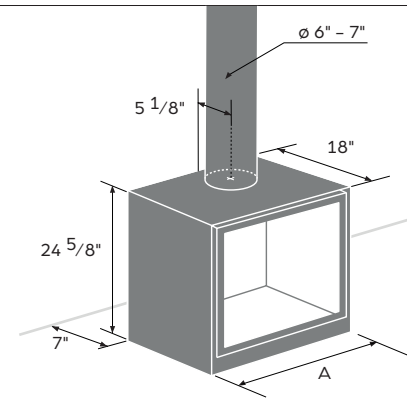
Size	16-58	16-68	16-78
Weight	378 lb.	417 lb.	452 lb.
Width (A)	22 7/16"	26 3/8"	30 5/16"
Width (B)	38 3/16"	42 1/8"	46 1/16"



**Stûv 16-cube**

Stove

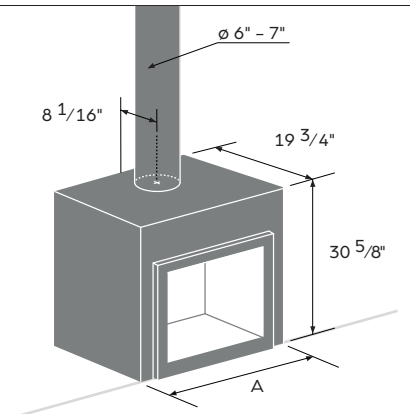
Size	16-58	16-68	16-78
Weight	250 lb.	272 lb.	300 lb.
Width (A)	22 7/8"	26 3/4"	30 3/4"



**Stûv 16-Z**

Fireplace

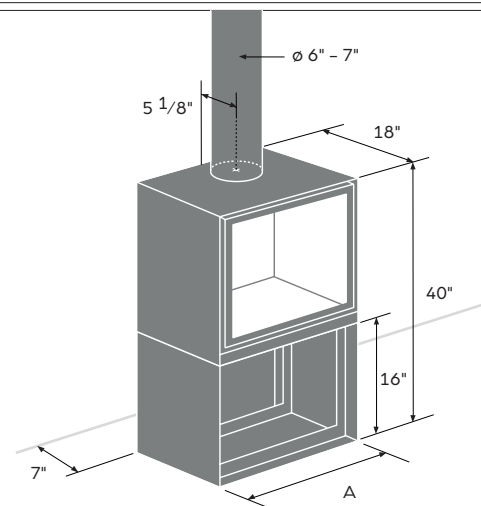
Size	16-58	16-68	16-78
Weight	232 lb.	261 lb.	288 lb.
Width (A)	29 3/16"	33 3/16"	37 1/16"



**Stûv 16-H**

Stove

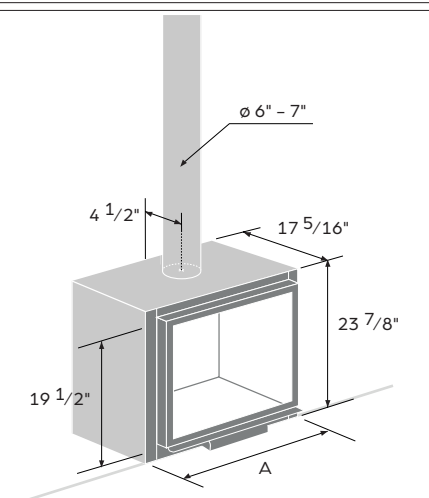
Size	16-58	16-68	16-78
Weight	332 lb.	362 lb.	396 lb.
Width (A)	22 7/8"	26 3/4"	30 3/4"



**Stûv 16-in**

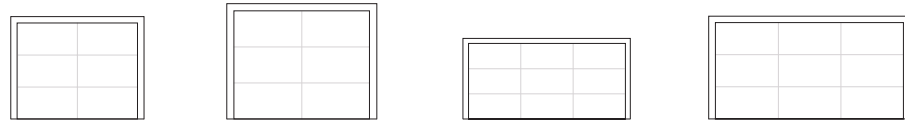
Insert

Size	16-58	16-68	16-78
Weight	180 lb.	205 lb.	228 lb.
Width (A)	22 7/8"	26 3/4"	30 3/4"



SPECIFICATIONS AND DIMENSIONS

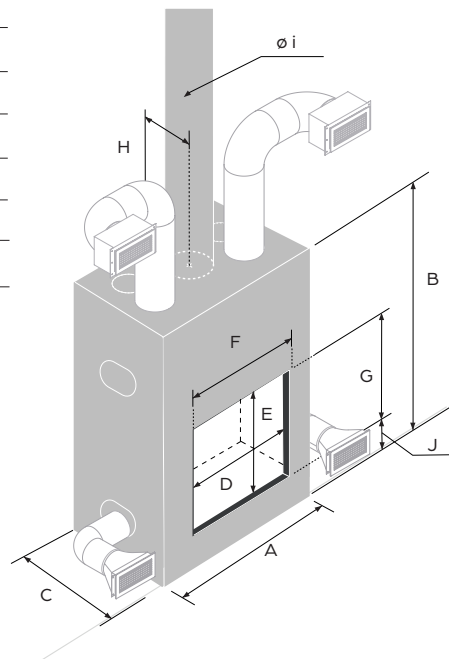
**Stûv 21.2**  
Fireplace



Size	21.2-85	21.2-95	21.2-105	21.2-125
Maximum length of logs	24"	28"	32"	40"
Nominal heat output*	44 000 BTU/h	43 000 BTU/h	65 000 BTU/h	60 000 BTU/h
Heating surface area	1 400 ft <sup>2</sup>	1 600 ft <sup>2</sup>	1 400 ft <sup>2</sup>	1 800 ft <sup>2</sup>
Firebox size	4.8 ft <sup>3</sup>	6.6 ft <sup>3</sup>	5.3 ft <sup>3</sup>	8.4 ft <sup>3</sup>
Convection system	standard	standard	standard	standard
Outside air duct	ø 4-6"	ø 4-6"	ø 4-6"	ø 4-6"
Weight	665 lb.	820 lb.	688 lb.	892 lb.

\*These nominal heat outputs were obtained according to a European testing protocol  
For additional information on powers, please see: <https://stuvamerica.com/en/inspirations/tips-and-techniques/power-btu/>

Size	21.2-85	21.2-95	21.2-105	21.2-125
A – Width	40"	43 7/8"	47 7/8"	55 3/4"
B – Height	62 7/8"	68 1/4"	56 1/8"	62 7/8"
C – Depth	26 1/2"	28 1/2"	25"	27 3/4"
D – Glass width	26 1/2"	30 3/8"	34 1/4"	42 1/8"
E – Glass height	21 1/16"	24 1/4"	15 3/4"	21 1/16"
F – Opening width	30 3/4"	34 7/8"	38 3/4"	46 1/2"
G – Opening height	23 3/4"	26 15/16"	18 1/2"	23 3/4"
H – Chimney position	10 1/2"	11 3/4"	11"	11 3/4"
i – Chimney diameter	8"	10"	8"	10"
J – Height to opening	6 1/2"	6 1/2"	6 1/2"	6 1/2"



SPECIFICATIONS AND DIMENSIONS

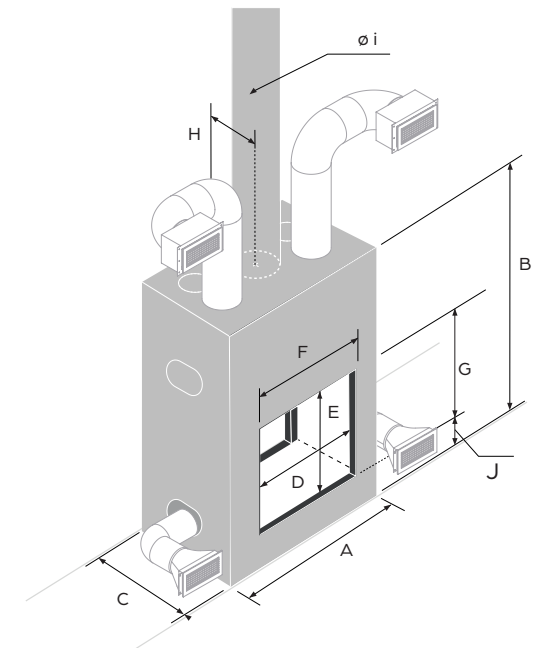
**Stûv 21 double face**  
Fireplace



Size	21-85 DF	21-95 DF	21-125 DF
Maximum length of logs	24"	28"	40"
Nominal heat output*	48 000 BTU/h	50 000 BTU/h	61 000 BTU/h
Heating surface area	1 400 ft <sup>2</sup>	1 600 ft <sup>2</sup>	1 800 ft <sup>2</sup>
Firebox size	6.5 ft <sup>3</sup>	8.4 ft <sup>3</sup>	10.6 ft <sup>3</sup>
Convection system	standard	standard	standard
Outside air duct	ø 6"	ø 6"	ø 6"
Weight	752 lb.	855 lb.	960 lb.

\*These nominal heat outputs were obtained according to a European testing protocol  
For additional information on powers, please see: <https://stuvamerica.com/en/inspirations/tips-and-techniques/power-btu/>

Size	21-85 DF	21-95 DF	21-125 DF
A – Width	39 3/4"	43 5/8"	55 1/2"
B – Height	62 7/8"	68 1/4"	62 7/8"
C – Depth	31 1/2"	31 1/2"	31 1/2"
D – Glass width	26 1/2"	30 3/8"	42 1/8"
E – Glass height	21 1/16"	24 1/4"	21 1/16"
F – Opening width	30 3/4"	34 7/8"	46 1/2"
G – Opening height	23 3/4"	26 15/16"	23 3/4"
H – Chimney position	15 3/4"	15 3/4"	15 3/4"
i – Chimney diameter	10"	12"	12"
J – Height to opening	6 1/2"	6 1/2"	6 1/2"



SPECIFICATIONS AND DIMENSIONS

Stûv 21 – Frames and front panels



thin edge	21-85	21-95	21-105	21-125
W	31 5/8"	35 3/16"	39 1/8"	47"
H	24 1/8"	27 1/4"	18 13/16"	24 1/8"

● StûvGrey only

picture type	21-85	21-95	21-105	21-125
W	35 5/8"	39 5/8"	43 1/2"	51 3/8"
H	28 1/2"	31 5/8"	23 1/4"	28 1/2"

● StûvGrey only

SF4	21-85	21-95	21-105	21-125
W	49 3/4"	53 3/4"	57 5/8"	65 1/2"
H	42 5/8"	45 3/4"	37 3/8"	42 5/8"



SF5	21-85	21-95	21-105	21-125
W	42 5/8"	46 5/8"	50 1/2"	58 1/2"
H	81 3/4"	88"	78 3/4"	81 3/4"



Integrated convection system

SF6	21-85	21-95	21-105	21-125
W	42 5/8"	46 5/8"	-	58 1/2"
H	81 3/4"	88"	-	81 3/4"



Integrated convection system

SF8	21-85	21-95	21-105	21-125
W	-	-	94 1/2"	-
H	-	-	18 7/8"	-

● StûvGrey only

Outer dimensions W = Width | H = Height

Dimensions indicated are for informative purposes only. For more details see installation manual.

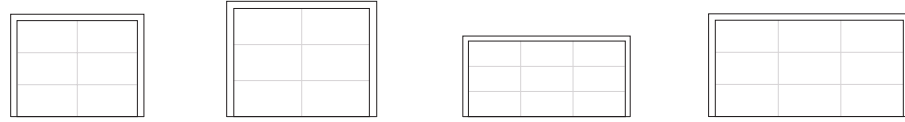


Stûv 21-85 SF6 rust

SPECIFICATIONS AND DIMENSIONS

**Stûv 21-clad**

Self supporting fireplace



Size	21-85	21-95	21-105	21-125
Maximum length of logs	24"	28"	32"	40"
Nominal heat output*	44 000 BTU/h	43 000 BTU/h	65 000 BTU/h	60 000 BTU/h
Heating surface area	1 400 ft <sup>2</sup>	1 600 ft <sup>2</sup>	1 400 ft <sup>2</sup>	1 800 ft <sup>2</sup>
Firebox size	4.8 ft <sup>3</sup>	6.6 ft <sup>3</sup>	5.3 ft <sup>3</sup>	8.4 ft <sup>3</sup>
Outside air duct	ø 4-6"	ø 4-6"	ø 4-6"	ø 4-6"

\*These nominal heat outputs were obtained according to a European testing protocol  
For additional information on powers, please see: <https://stuvamerica.com/en/inspirations/tips-and-techniques/power-btu/>

SPECIFICATIONS AND DIMENSIONS

**Stûv 21-clad double face**

Self supporting fireplace

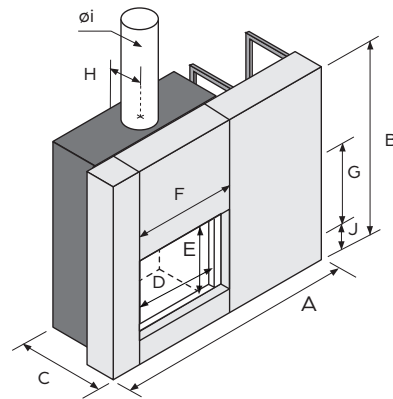


Size	21-85 DF	21-95 DF	21-125 DF
Maximum length of logs	24"	28"	40"
Nominal heat output*	48 000 BTU/h	50 000 BTU/h	61 000 BTU/h
Heating surface area	1 400 ft <sup>2</sup>	1 600 ft <sup>2</sup>	1 800 ft <sup>2</sup>
Firebox size	6.5 ft <sup>3</sup>	8.4 ft <sup>3</sup>	10.6 ft <sup>3</sup>
Outside air duct	ø 6"	ø 6"	ø 6"

\*These nominal heat outputs were obtained according to a European testing protocol  
For additional information on powers, please see: <https://stuvamerica.com/en/inspirations/tips-and-techniques/power-btu/>

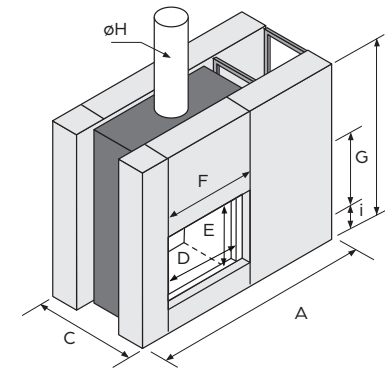
**Stûv 21-clad SF2**

left or right asymmetrical



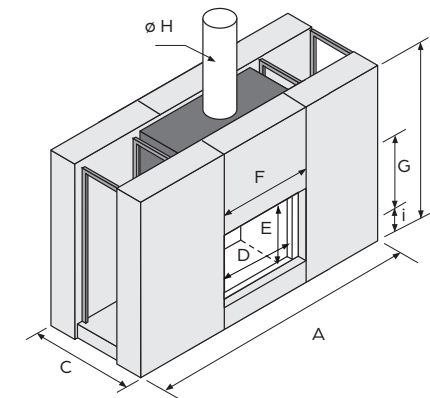
Size	21-85	21-95	21-105	21-125
A – Width	66 5/16"	70 1/4"	74 3/16"	82 1/16"
B – Height	59 5/8"	64 1/4"	51 7/16"	59 5/8"
C – Depth	27 7/16"	29 7/16"	25 1/2"	28 1/4"
D – Glass width	26 1/2"	30 3/8"	34 1/4"	42 1/8"
E – Glass height	21 1/16"	24 1/4"	15 3/4"	21 1/16"
F – Opening width	30 3/4"	34 7/8"	38 3/4"	46 1/2"
G – Opening height	23 3/4"	26 15/16"	18 1/2"	23 3/4"
H – Chimney position	11 5/8"	12 1/2"	11 3/8"	12 5/16"
i – Chimney diameter	8"	10"	8"	10"
J – Height to opening	12 3/4"	12 3/4"	12 3/4"	12 3/4"
Weight**	775 lb.	925 lb.	765 lb.	975 lb.

**Stûv 21-clad DF2**



Size	21-85 DF	21-95 DF	21-125 DF
A – Width	66 5/16"	70 1/4"	82 1/16"
B – Height	59 5/8"	64 1/4"	59 5/8"
C – Depth	31 1/2"	31 1/2"	31 1/2"
D – Glass width	26 1/2"	30 3/8"	42 1/8"
E – Glass height	21 1/16"	24 1/4"	21 1/16"
F – Opening width	30 3/4"	34 7/8"	46 1/2"
G – Opening height	23 3/4"	26 15/16"	23 3/4"
H – Chimney diameter	10"	12"	12"
i – Height to opening	12 3/4"	12 3/4"	12 3/4"
Weight**	885 lb.	1 055 lb.	1 100 lb.

**Stûv 21-clad DF7**



Size	21-85 DF	21-95 DF	21-125 DF
A – Width	86"	89 15/16"	101 5/8"
B – Height	59 5/8"	64 1/4"	59 5/8"
C – Depth	31 1/2"	31 1/2"	31 1/2"
D – Glass width	26 1/2"	30 3/8"	42 1/8"
E – Glass height	21 1/16"	24 1/4"	21 1/16"
F – Opening width	30 3/4"	34 7/8"	46 1/2"
G – Opening height	23 3/4"	26 15/16"	23 3/4"
H – Chimney diameter	10"	12"	12"
i – Height to opening	12 3/4"	12 3/4"	12 3/4"
Weight**	975 lb.	1 145 lb.	1 200 lb.

Available colours

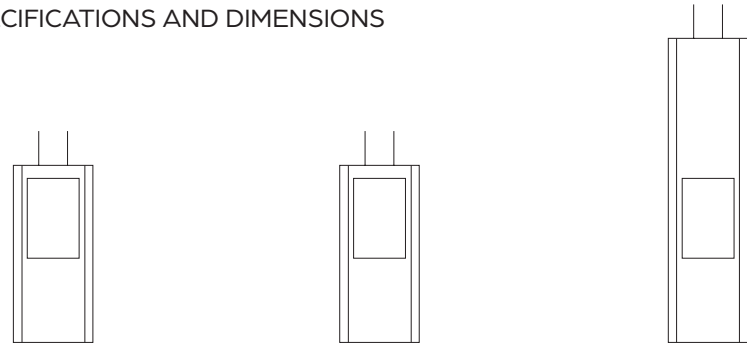
- StûvGrey
- White RAL 9010
- Grey RAL 9007
- StûvBlack
- Rust

Log rack is optional

\*\* Approximate weight includes fireplace and cladding

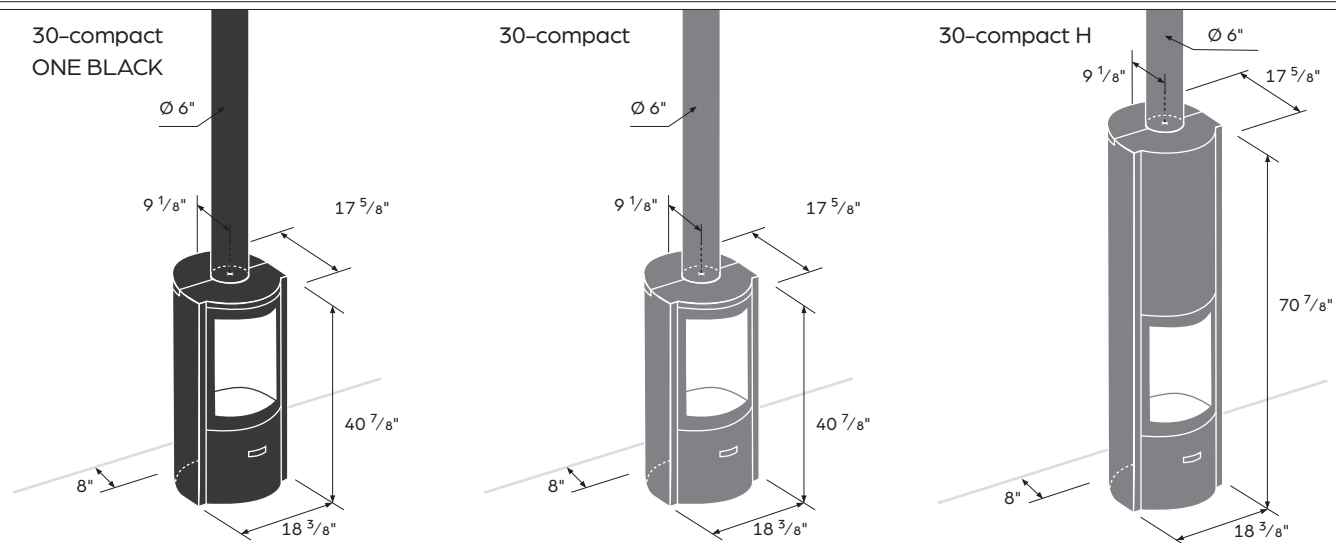
SPECIFICATIONS AND DIMENSIONS

**Stûv 30**  
Stove



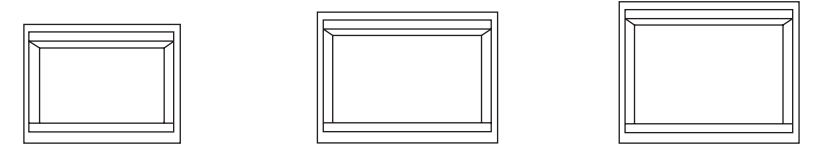
Size	30-compact ONE BLACK	30-compact	30-compact H
Colour	StûvBlack	StûvGrey	StûvGrey
Door	glass door only	3 doors	3 doors
360° Rotation	standard 360°	standard 360°	standard 360°
Max. vertical log length	16"	16"	16"
Max. horizontal log length	10"	10"	10"
Efficiency	73,9%	73,9%	73,9%
Certification	EPA	EPA	EPA
Fine particle emissions	1.82 g/h	1.82 g/h	1.82 g/h
Maximum power*	47 000 BTU/h	47 000 BTU/h	47 000 BTU/h
EPA power*	17 049 BTU/h	17 049 BTU/h	17 049 BTU/h
Nominal heat output*	33 000 BTU/h	33 000 BTU/h	33 000 BTU/h
Heating surface area	900 ft <sup>2</sup>	900 ft <sup>2</sup>	900 ft <sup>2</sup>
Firebox size	1.1 ft <sup>3</sup>	1.1 ft <sup>3</sup>	1.1 ft <sup>3</sup>
Outside air duct	ø 4"	ø 4"	ø 4"
Weight	284 lb.	248 lb.	340 lb. (+330 lb.)

For additional information on powers, please see: <https://stuvamerica.com/en/inspirations/tips-and-techniques/power-btu/>



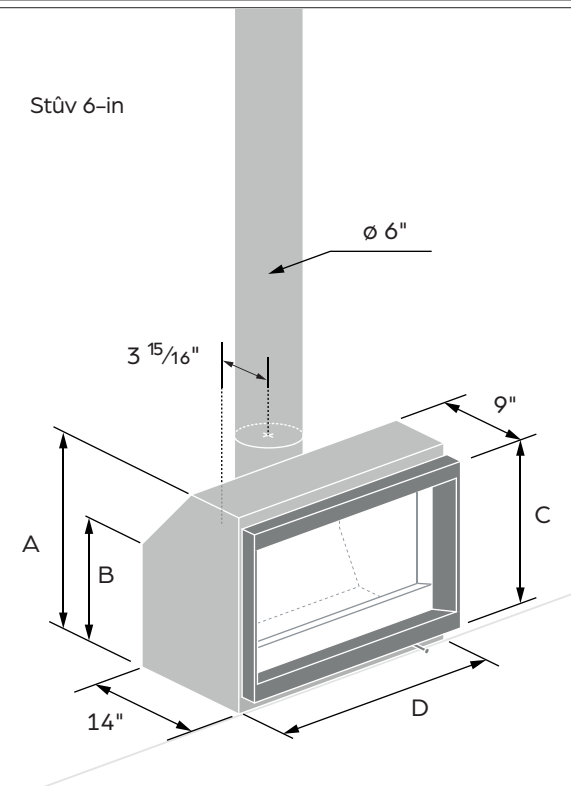
SPECIFICATIONS AND DIMENSIONS

**Stûv 6-in**  
Insert



Size	66x50	76x55	76x60
Max. log length	16"	20"	20"
Patent	D898,173	D898,173	D898,173
Efficiency	68,4%	67,6%	68,3%
Certification	EPA	EPA	EPA
Particles emission	1,93 g/h	1,86 g/h	1,89 g/h
Maximum power*	49 000 BTU/h	58 000 BTU/h	64 000 BTU/h
EPA power*	17 121 BTU/h	21 732 BTU/h	23 388 BTU/h
Nominal heat output*	34 000 BTU/h	39 000 BTU/h	44 000 BTU/h
Heating area	1 000 ft <sup>2</sup>	1 300 ft <sup>2</sup>	1 400 ft <sup>2</sup>
Combustion chamber	1.08 ft <sup>3</sup>	1.55 ft <sup>3</sup>	1.58 ft <sup>3</sup>
Glass width	20 9/16"	24 1/2"	24 1/2"
Glass height	12 1/16"	14 1/16"	16 1/16"
Outside air connection	ø 4"	ø 4"	ø 4"
Weight	165 lb.	190 lb.	200 lb.

Stûv 6-in



Size	66x50	76x55	76x60
A	19 1/4"	21 1/4"	23 3/16"
B	11 7/16"	13 3/8"	15 3/8"
C	16 3/4"	18 3/4"	20 3/4"
D	24 1/2"	28 7/16"	28 7/16"

\*For additional information on powers, please see: <https://stuvamerica.com/en/inspirations/tips-and-techniques/power-btu/>

Dimensions for information only. See the installation manuals for details.

# THE STÛV GUARANTEE

## THIS IS OUR COMMITMENT

A product's warranty begins long before it is acquired and resides in a company's commitment to its future customers.

- Invest heavily in research and development to offer units that are always at the cutting edge of technology;
- Prioritize innovation and refuse to market a product simply for its potential to generate profits quickly;
- Comply with the most stringent environmental standards;
- Promote global thinking but focus on local actions such as establishing a manufacturing plant in Canada, dedicated exclusively to the North American market;
- Choose a local, qualified and decently paid workforce;
- Obtain only the highest quality raw material;
- Select the best local suppliers to contribute to the economic development of the regions where we operate;
- Partner with experts in the field of stoves and fireplaces;
- Provide available and efficient customer and after-sales service;
- Establish a fair price that takes into account all our commitments.

A manufacturing defect, if any, always appears in the first few months of use of a unit. For this reason, our warranty provides a realistic 5-year coverage on the fireplace body against all manufacturing defects and one year on components such as refractory bricks, gaskets, door mechanisms, hinges, pulleys, slides and fasteners.

For more details, see the warranty form available on our website at [stuvamerica.com](http://stuvamerica.com)



This brochure has been prepared with the utmost care. However, we accept no responsibility for any errors that may have occurred.

Stûv fireplaces are  
designed by:

Stûv sa – Belgium  
[stuv.com](http://stuv.com)

Manufactured in  
North America by:

Stûv America inc. – Canada  
[stuvamerica.com](http://stuvamerica.com)

September 2023

