

BAYPORT 41 & BAYPORT 36

DIRECT VENT GAS FIREPLACES



Bayport 36 Traditional Log shown with a Rectangle Full screen front and Black Glass panels

QUALITY FIREPLACES FOR LIFE.

KOZY HEAT
FIREPLACES

BAYPORT SERIES

Safety Screen Fronts

Sizes shown below: Bayport 41 / Bayport 36



Inside Fit Screen Front
with optional Black Glass panels
Screen Front available in Black



Rectangle Full Screen Front
with Black Enamel panels
Screen Front available in Black, Brushed Stainless



Rectangle Full Screen Front
in Antique Copper Overlay with
the Beach Accent Kit with Black
Enamel panels
*Screen Front available in
Antique Copper, Brushed Nickel*



Portrait Screen Front*
with optional Black Glass panels
Screen Front available in Black

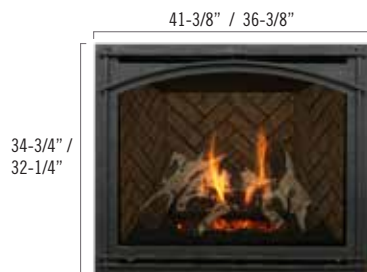


Prairie Screen Front
with optional Masonry refractory
Screen Front available in Black



Arched Prairie Full Door
with optional Black Glass panels
Screen Front available in Black

**Bayport 41: Safety screen requires the fireplace to be 2-1/4" above the hearth and 3" clearance from the outside edge to a sidewall.
Bayport 36: Safety screen requires the fireplace to be 3" above the hearth and 3" clearance from the outside edge to a sidewall.



Arched Mission Screen Front
in Vintage Bronze with Herringbone refractory
Screen Front available in Vintage Bronze



Mission Screen Front
in Vintage Bronze with Traditional Brick refractory
Screen Front available in Vintage Bronze



Bayport 41 Glass shown with a Portrait Screen Front, Glacier Crystal glass, Black Enamel panels and Beach Accent Kit

BAYPORT SERIES

Media & Refractory/Panel Options



Log Set with Traditional Brick refractory



Birch Set with Masonry refractory



Log Set with Black Glass panels



Crushed Glass with Enamel panels



Beach Accent Kit
(Optional Accent Media with Glass)

Bayport 41 Birch Logs shown with a Prairie
Screen Front and Masonry refractory



BAYPORT SERIES

Refractory Options



Traditional Brick



Enamel



Black Glass



Herringbone



Masonry

Standard Black firebox



Bayport 41 Traditional Logs shown with a Full Rectangle Screen Front and Masonry refractory

Glass Media

Crushed Glass



Reflective Midnight



Reflective Copper

Crystals



Glacier



Amber



Black



Seabreeze

Burn Videos



Bayport 41 Log



Bayport 41 Glass with Beach Accent Kit



Bayport 41 Birch Log



Bayport 36 Black Glass Log



Bayport 36 Brick Log



Bayport 36 Birch Log



Bayport 36 Masonry Log



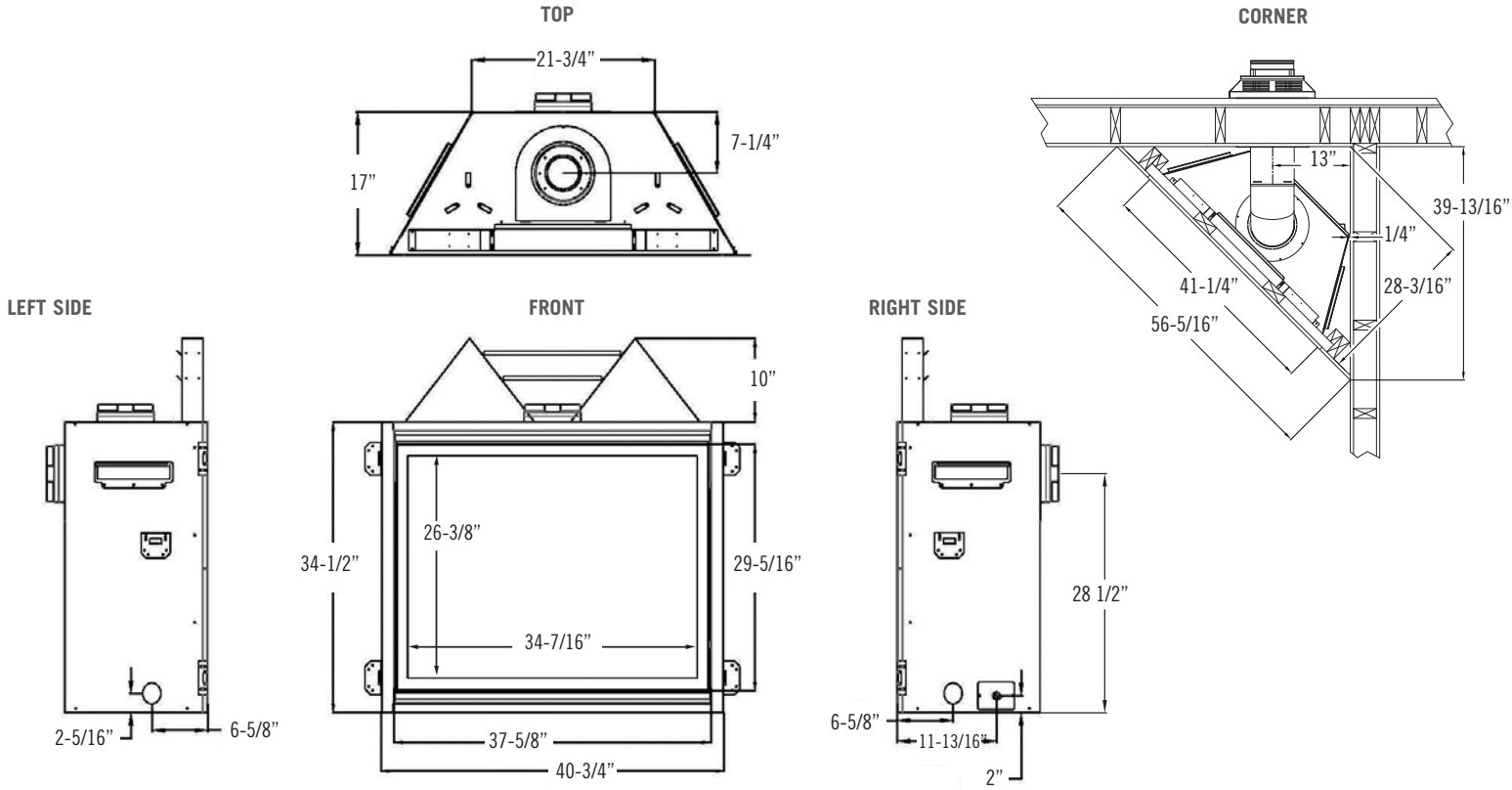
Bayport 36 Glass with Beach Accent Kit

BAYPORT SERIES

The Bayport is available with traditional or birch log sets, or a contemporary glass media model. These models contain an IPI valve system and full-function remote control. The Bayport 36 & 41 with traditional logs are also available with a millivolt standing pilot system.

Specifications

Bayport 41



Clearances

Model	Bayport 41	Bayport 36
Mantel 6" deep from appliance top	9"	8"
Mantel 6" deep from appliance top for RSF-2 ONLY	5"	5"
Top of appliance to 3/4" Trim	5-1/2"	4-1/2"
Top of appliance to 3/4" Trim for RSF-2 ONLY	1-1/2"	1-1/2"
From appliance left and right side stand-off	0"	0"
From appliance back stand-offs	0"	0"
From appliance corners	1/4"	1/4"
From appliance front	36"	36"
From appliance top to ceiling	31"	30"
Appliance sides to adjacent sidewall	1"	3/4"

Model	Bayport 41	Bayport 41 MV	Bayport 36	Bayport 36 MV
Height	34-1/2"	34-1/2"	32"	32"
Width	40-3/4"	40-3/4"	35-3/4"	35-3/4"
Depth	17"	17"	15-13/16"	15-13/16"
Weight	199 lbs.	199 lbs.	178 lbs.	178 lbs.
Viewing Area	34-7/16" X 26-3/8"	34-7/16" X 26-3/8"	29-7/16" X 23-7/8"	29-7/16" X 23-7/8"
BTU NG High / Low	30,000 / 15,000	28,500 / 21,500	26,500 / 14,000	26,500 / 17,500
BTU LP High / Low	30,000 / 15,000	28,500 / 21,500	26,500 / 14,000	26,500 / 21,000
ENERGUIDE P.4 NG / LP	76.16% / 76.77%	76.16% / 76.77%	66.61% / 71.09%	65.52% / 70.12% (MV)
Steady State NG / LP	77.96% / 78.04%	77.96% / 78.04%	71% / 75%	71% / 75%
AFUE % NG / LP	72.19% / 72.16%	72.19% / 72.16%	70% / 74%	70% / 74%
Valve System	IPI	Millivolt	IPI	Millivolt
Black Enamel Panel	Standard (BAY 41-G)	N/A	Standard (BAY 36-G)	N/A
Optional Refractory/Panels	Black Glass Herringbone Brick Traditional Brick Masonry Panels (BAY 41-MV, BAY 41-L & BW)		Black Glass Herringbone Brick Traditional Brick Masonry Panels (BAY 36-MV, BAY 36-L & BW)	
Accent Light Kit	Standard (BAY 41-G)	N/A	Standard (BAY 36-G)	N/A
Ember Light Kit	Standard (BAY 41-L & BW)	N/A	Standard (BAY 36-L & BW)	N/A
Glass Media	Required (BAY 41-G)	N/A	Required (BAY 36-G)	N/A
Accent Media	Optional Beach Accent Kit	N/A	Optional Beach Accent Kit	N/A
Ceramic Glass	Standard		Standard	
Fan Kit Availability	Standard (BAY 41-L & BW) Optional (BAY 41-G)	Optional	Standard (BAY 36-L & BW) Optional (BAY 36-G)	Optional
Finishing Trim Kit	Standard		Standard	
Screen Front	Required		Required	

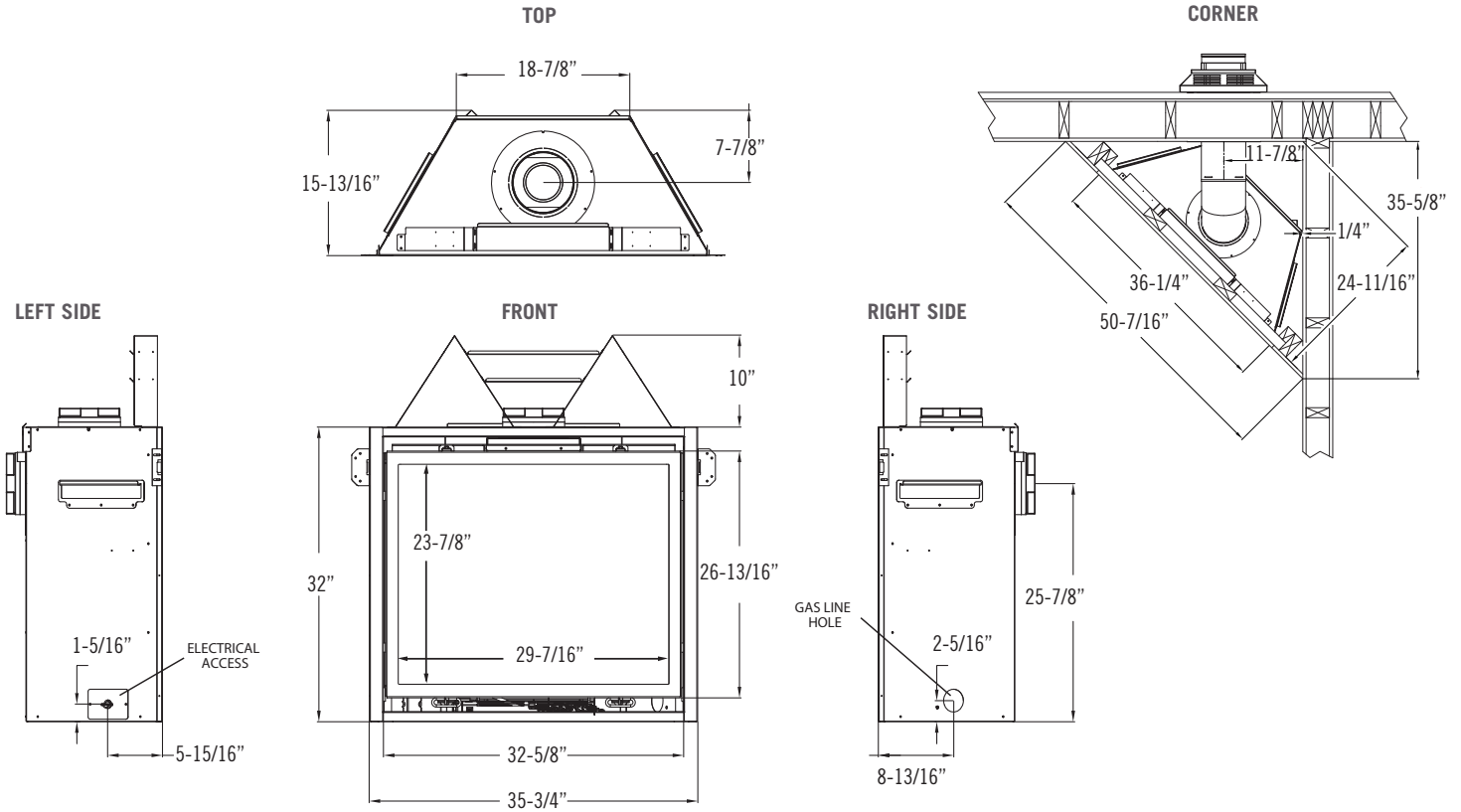
Each unit factory tested

Refer to the installation manuals for complete installation & venting requirements. See additional mantel clearance configurations in the installation manual.

Note: Over time, antique copper will react with oxygen, heat, and other aspects of the environment and naturally change color, or patina.

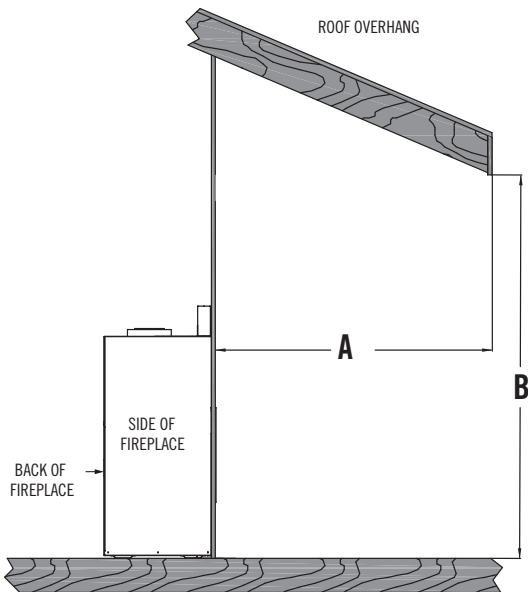
Features, Options & Specifications are subject to change.

Bayport 36

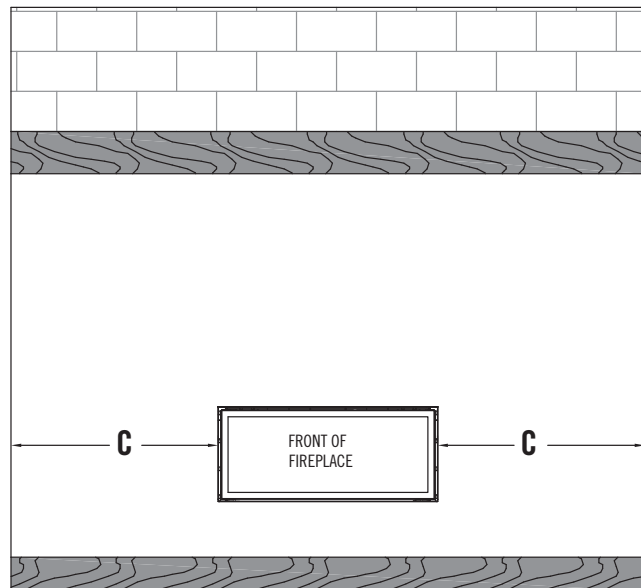


Outdoor Covered Fireplace Install

- Fireplace operation is approved from 40 degrees F to 110 degrees F
- All wiring connections shall be in accordance with outdoor requirements of NECA NFPA 70
- All clearances and requirements in your appliance manual must be adhered to



The overhang (A) must be a minimum of 1/2 or greater of the roofline elevation (B) above the base of the fireplace.



The width of the overhang to each side of the appliance (C) must be a minimum of 1/2 or greater of the roofline elevation (B) above the base of the fireplace.

EXAMPLE: If roofline (B) is 10 ft. above the base of the fireplace, the overhang (A) must be 5 ft. or greater. The width of the overhang to EACH side of the fireplace (C) must be 5 ft. or greater.



Bayport 36 Log shown with a Rectangle Full Screen Front with an Antique Copper overlay and Black Glass panels

Fireplace brochures are for advertising purposes only. Refer to the specific fireplace manual for installation.

BAYPORT SERIES






Accessories & Controls



KOMFORT KONTROL

The Komfort Kontrol remote gives you the ability to bring comfort and green technology all together into your home. With the Komfort Kontrol remote, all you have to do is decide a comfortable set point temperature on your remote and when the room temperature gets closer to the point you desire, the Komfort Kontrol remote will turn the flames down accordingly! And with our zone heating, you can save energy and enjoy time in the room you use the most by just turning down the central heat, setting your Komfort Kontrol remote, and enjoy your time around the fireplace with friends, family, or just a good book! That way you'll get to have heat where and when you need it while saving energy and money with just a click of the Komfort Kontrol remote!

Remote control features:

-  Thermostat function
-  Light kit modulation
-  Flame height modulation
-  IPI to continuous pilot
-  Fan speed modulation

Millivolt Option Controls



Thermostat Remote or On/Off Remote



Wired or Wireless Wall Mount Thermostat



Wireless wall switch

In order to continually provide the highest quality product available, features/options, specifications & dimensions are subject to change. Refer to the unit installation manual for complete installation instructions. Installation must conform with local building codes. **In some regions it may be possible that this appliance qualifies for an energy rebate. See your local dealer for details regarding promotions and qualifications.**

Manufactured by Hussong Mfg. Co., Inc.
204 Industrial Park Road, Lakefield, MN 56150
Phone 1-800-253-4904 www.kozyheat.com

11-21



Product Line:



For complete information on the Kozy Heat product line, please contact us at:

FOR CALIFORNIA RESIDENTS ONLY
⚠ California Proposition 65 Warning

WARNING: This product can expose you to chemicals including Carbon Monoxide, that is an externally vented by-product of fuel combustion, which is [are] known to the State of California to cause birth defects or other reproductive harm. For more information, visit www.P65Warnings.ca.gov.