

4237 DELUXE GAS FIREPLACE

FIREPLACE
XTRORDINAIR



The 4237 Deluxe is shown with the Charcoal Painted IronWorks™ Double Doors, Classic Oak Log Set, and Handmade Brick Fireback.



BRAND NEW

4237 Deluxe Gas Fireplace

The grandest of our premium fireplaces, the 4237 Deluxe is a massive showstopper that is perfect for great rooms with its 42" wide by 37" high glass and generous heat output. The magic of the 4237 lies within its ability to express the appeal of an open masonry fireplace while embodying the performance and functionality of Fireplace Xtrordinair's superior gas heating technology. This top vent fireplace features the Ember-Fyre® II Burner, Ember-Glo™ ember bed lighting, and Comfort Control™, which allows you to turn down the heat output up to 77% while maintaining a beautiful fire display all year-round.

The 4237 is available as a "Clean Face" model with decorative trim (shown on the left), or you can add the charcoal painted hand-hammered IronWorks™ Double Doors (shown on the cover). This full feature Deluxe fireplace includes the GreenSmart® Remote Control, 260 CFM Convection Fan, and overhead Accent Lights. Add the CoolSmart TV Wall™ option to safely install a TV above your fireplace.

- Ceramic Glass Viewing Area: 39 7/8" W x 34 7/8" H (1,388 Sq. In.)
- Heating Capacity: Up to 3,000 Sq. Ft.
- BTU Input Per Hour: 14,500 to 60,000 (NG)
13,600 to 60,000 (LP)
- Steady State Efficiency: Up to 78.15% (NG), 80.64% (LP)
- EnerGuide P4 Efficiency: 66.99% (NG), 68.79% (LP)



See the magic of this incredible new fireplace burning in action!

Choose Your High Definition Log Set (Required)



Classic Oak



Birch



Bon-Fyre™

Choose Your Fireback (Required)



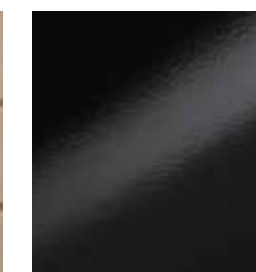
Herringbone Brick



Handmade Brick



Stacked Tan Brick



Black Glass

The 4237 Clean Face Deluxe is shown with the 2" Trim Kit, Birch Log Set, Black Enamel Fireback, and CoolSmart TV Wall™ option.

Features & Options You're Going To Love

Comfort Control™	YES
Burner Type	Ember-Fyre® II
Convection Fan	260 CFM
Accent Lights	OVERHEAD
Ember-Glo™	YES
Heavy-Built 12 Gauge Welded Firebox	YES
Front or Side CoolSmart TV Wall™ Option	YES
Power Exhaust Vent Option	YES
Power Heat Duct Option	TWO

Specifications

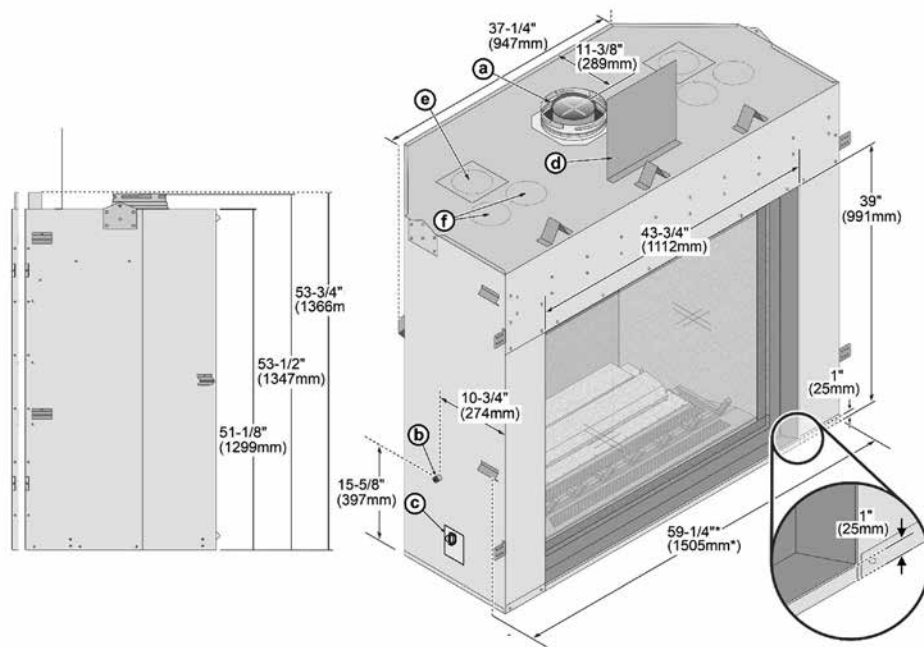
Height (including standoffs)	53-3/4"
Width	59-1/4"
Depth	29-1/4"
Flue Diameter	8"
Direct Vent Top Vent	YES
Direct Vent Rear Vent	N/A
Weight	555 lbs.
Glass Viewing Area	1,388 sq. in.
Combustible Min. Mantel Clearances (Measured from base of fireplace to mantle)	55"-57"
Hearth Requirement <i>*If using Luxury Vinyl Planking see your Installation Manual for hearth requirements</i>	None*

Front Width		Back Width	
Unit	Framing	Unit	Framing
59-1/4"	59-1/2"	37-1/4"	59-1/2"
Height		Depth	
Unit	Framing	Unit	Framing
53-3/4"	54"	29-1/4"	29-1/4" Flush 28-3/4" Std

Performance

Heating Capacity (Up To)	3,000 Sq. Ft.
BTU Input High to Low (NG)	60,000 - 14,500
BTU Input High to Low (LP)	60,000 - 13,600
Turndown Ratio	76% NG 77% LP
Canadian EnerGuide P4 Efficiency	66.99% NG 68.79% LP
Steady State Efficiency High (Up to)	78.15% NG 80.64% LP
AFUE (Annual Fuel Utilization Efficiency)	62.20% NG 62.80% LP

NOTE: Improper installation of your gas appliance or failure to operate it in accordance to the guidelines detailed in the Owner's Manual may negate your warranty and endanger your home and family. Installation information is available on our website at www.fireplacex.com.



(a)	8" x 5" Co-Axial Vent	(b)	Gas Inlet (1/2" MPT)	(c)	Electrical Junction Box
(d)	Vertical Pipe Shield	(e)	Power Heat Duct/CoolSmart location	(f)	CoolSmart TV Wall kit location

These illustrations provide basic information and are NOT to be used for actual installation! See Installation Manual for complete installation instructions. Installation Manuals are available online at www.fireplacex.com under the "Documents" tab for each model.



See our complete line of products online:
fireplacex.com

We reserve the right to change and improve our product at any time without prior notification. Please refer to the Owner's Installation Manual for complete installation requirements. Photos and illustrations are for descriptive purposes only. Fireplace Xtrordinaire® Gas Fireplaces are protected by one or more of the following patents; U.S. 8,469,021, 7,066,170, 6,602,068, 6,443,726, 6,953,037; Canada 2755517 as well as other U.S. and Foreign Patents Pending.

