

Archgard

FIREPLACES

GAS STOVE
Direct Vent / Freestanding
/ Electronic Ignition



45-DVFE28LN with Standard Black Grill and Quebec City Grey Panel Set

45-DVFE28LN

Archgard's efficient and convenient Freestanding Gas stove driven by an electronic control system! Whether replacing a wood burning stove, adding a rustic touch to your home, or bringing that unique design to life, the 45-DVFE28LN provides Archgard's unparalleled flame at the touch of a button.

DECORATIVE GRILLS



Black Grills Standard



Gold Grills (Optional)



Nickel Grills (Optional)

WALL MOUNTABLE REMOTE

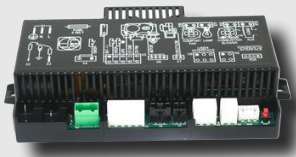


This remote comes standard with the 45-DVFE28LN and is used to control the flame height and fan speed of your fireplace. Place the remote in SMART Thermostat mode to automatically adjust the flame height to match the temperature set on the remote.

This adaptable remote includes a mounting bracket which allows the remote to be mounted at the location of your choosing and removed for the convenience of hand-held use.

WORLD'S FIRST DYNAMIC START ADVANTAGE

Our engineers teamed up with the industry's lead electronics producer to develop the all new Dynamic Start Advantage control system. The new control is absolutely the most reliable, user friendly, and safest start system ever produced.



This system will start the fire slowly and build it up after a draft has been established. This process helps ensure a more reliable start, reduces any condensation on the glass door, and helps to reduce the expansion sounds common to other gas fireplaces on startup.

PANEL SET OPTIONS



45-BRPL-QCR /
Québec City Red



45-BRPL-QCG /
Québec City Grey



45-BRPL-RG /
Eternal Flame Reflective Ceramic Glass

CONTINUOUS PILOT ON DEMAND

Archgard's efficient gas fireplaces are designed to help save the environment while saving you money! The Continuous Pilot On Demand ignition system is a safety feature which also saves energy by automatically turning the pilot off after seven continuous days without use.



This system allows you to live your life without consideration for whether you've left the pilot on or not. Whether you've gone on vacation or it's those warm summer days, the pilot will automatically turn off until you need it. Simply turn on the fireplace to start the seven day timer again.

Input Rating	
Natural Gas	18,750-28,000 BTU/hr 5.5-8.2 kW/hr
Propane	19,600-28,000 BTU/hr 5.7-8.2 kW/hr
Efficiencies	
Steady State	70.40%
P4 Fireplace Efficiency	68.35%

Standard Features	
Ignition Type	Archgard's exclusive Dynamic Start Advantage spark-to-pilot ignition with continuous pilot on demand and battery backup.*
Glass Type	Shatter-resistant ceramic glass.
Remote Control	Multi-function remote control system including SMART Thermostat.*
Convection Fan	High efficiency six speed heat distribution fans and variable speed fan controlled by the remote control.
Firebox Construction	Welded, double-seal rivet and gasket, silicone free. Constructed of 16 and 18 gauge galvanized and aluminized coated steel for long life and durability.
Warranty	Archgard's Worry-Free Elite Limited Lifetime.
Burner Type	Panoramic Wall to wall steel pan.
Propane Conversion Kit	Optional.
Optional Archgard Vent Kit	45-TVKFS: This kit includes everything you need for your typical installation.*

All fireplaces come standard with barrier screens which attach to the door with very little effort.

Note: A minimum of 3' (914 mm) of vertical vent to center of elbow is required for a maximum horizontal run of 3' (914 mm)*.

An adapter is required if using rigid direct vent pipe from another manufacturer (mandatory on vertical installations)*

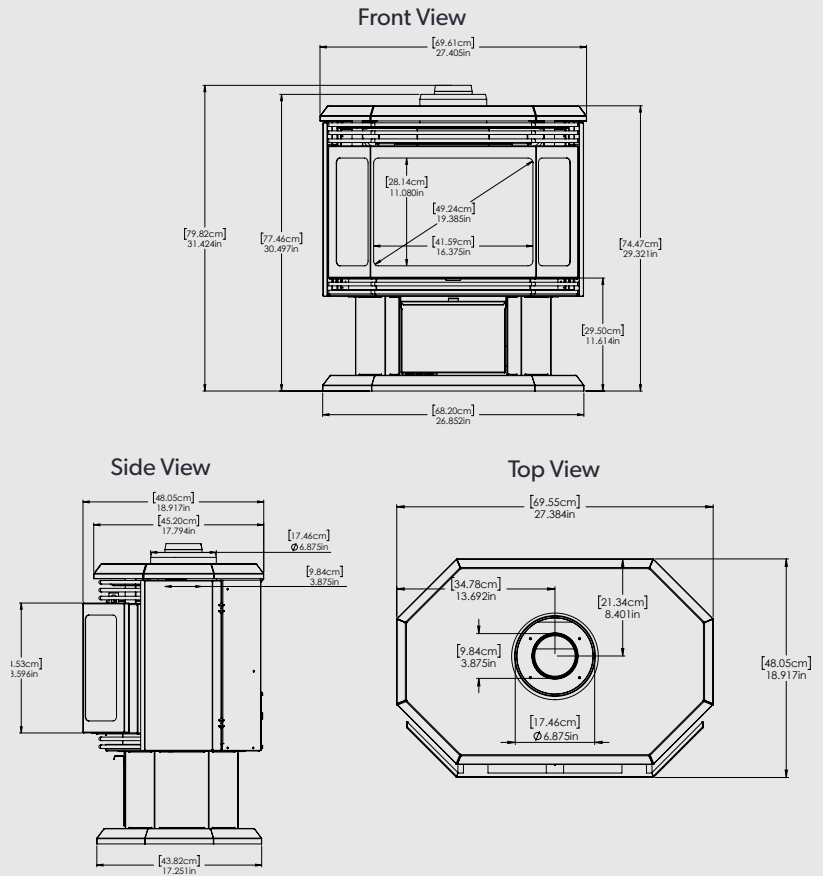
*See the Installation, Operation, and Maintenance Manual included with the fireplace.

For more information, pictures, and videos visit archgard.com.

Scan here to see the flames in action:

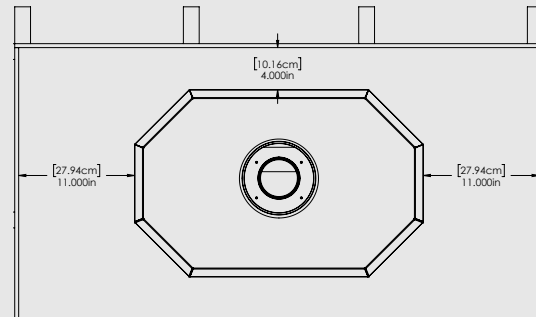


APPLIANCE DIMENSIONS

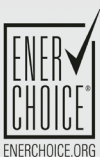
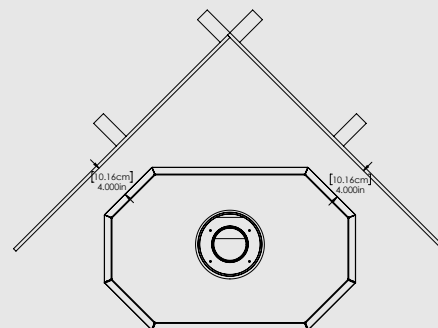


CLEARANCES

Straight Installation

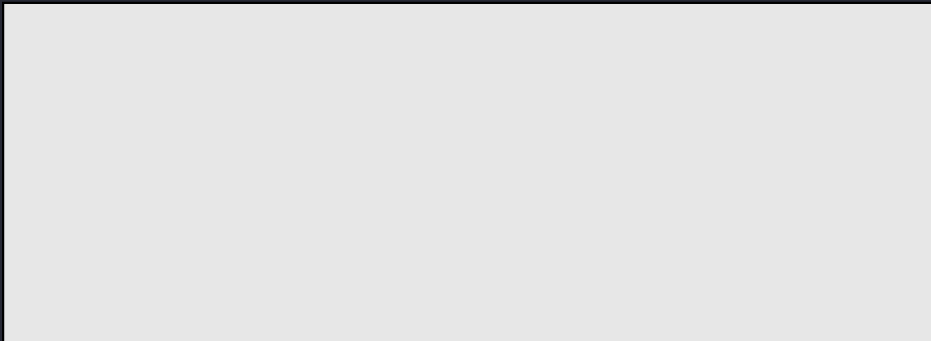


Corner Installation



California Proposition 65 Warning: These products can expose you to chemicals including Carbon Monoxide, that is an externally vented by-product of fuel combustion, which is [are] known to the State of California to cause cancer, birth defects, or other reproductive harm. For more information, visit www.P65Warnings.ca.gov.





Part # 100-3055



Archgard Fireplace Products
7116 Beatty Drive Mission BC V2V 6B4
archgard.com

October, 2019