

Hyper GoGo

USER MANUAL



GO KART

Compatible With All Hoverboard
*Hoverboard is not including

THANK YOU FOR CHOOSING OUR GO KART !
Before operating the Go kart, read this User's Guide for the proper instruction on use and care of the Go kart!

SAFETY WARNINGS

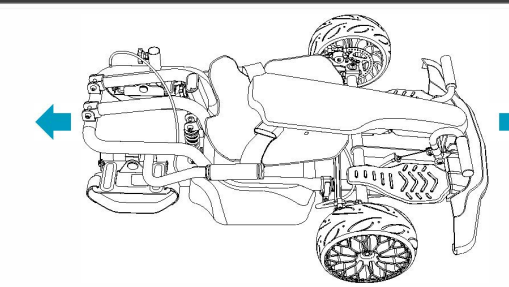
LIKE ANY OTHER MOVING PRODUCT, USING A GO KART CAN BE A DANGEROUS ACTIVITY AND MAY RESULT IN INJURY OR DEATH EVEN WHEN USED WITH PROPER SAFETY PRECAUTIONS. USE AT YOUR OWN RISK AND USE COMMON SENSE.

SAFE RIDING:

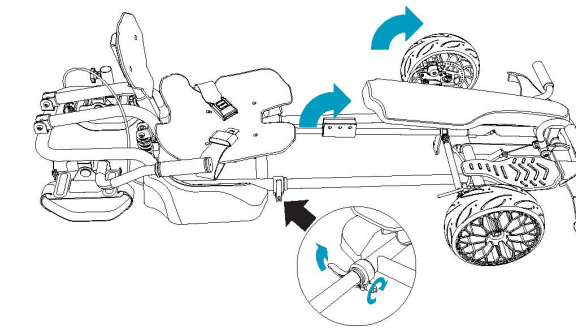
Here are some useful tips to make sure you always have a safe drive:

- Pregnant women should not use the GO Kart.
- Always wear safety equipment such as a helmet, knee pads and elbow pads. Always wear a helmet when riding your GO Kart and keep the chinstrap securely buckled.
- Do not drive after drinking or taking prescription medication.
- Do not carry items when driving.
- Prior to each drive, inspect each part of GO Kart that you are using to ensure it has been maintained correctly and is functioning properly.
- Always give way to pedestrians.
- Always follow local laws and regulations, you may be arrested if you drunk driving.
- Many cities have restrictions on where you can drive motor vehicles, as well as additional restrictions on driving non-automobiles on streets and highways.
- Be alert to things in front and far away from you.
- A drive may not weigh less than 45 lbs.
- When you drive the GO Kart, always keep a safe distance to avoid a collision.
- When turning, be sure to maintain your balance.
- Avoid driving in the rain or on smooth surfaces such as snow, ice and slippery floors.
- Avoid driving in narrow spaces or on steep slopes.
- Avoid driving around flammable gas, steam, liquid, or dust that could cause fire.

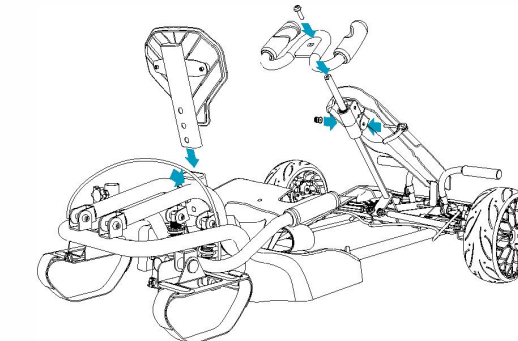
Installation



Step 1: Stretch the kart to suitable length.



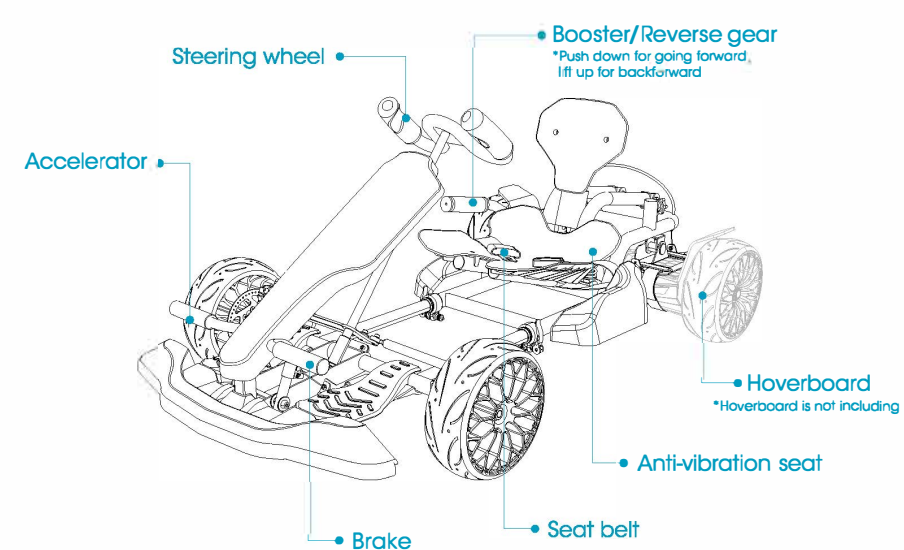
Step 2: Fix the length of the kart and lift the steering wheel to the proper position



Step 3: After fixing the steering wheel, install the steering wheel and seat successively, the Kart installation completed.

KNOWING THE GO KART

Compatible with All Hoverboard



L: 1100-1300mm W: 700mm H: 500mm
Adjustable length of the frame: 200mm

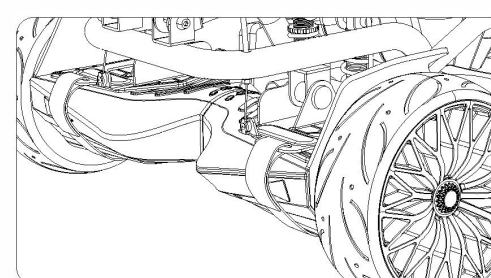
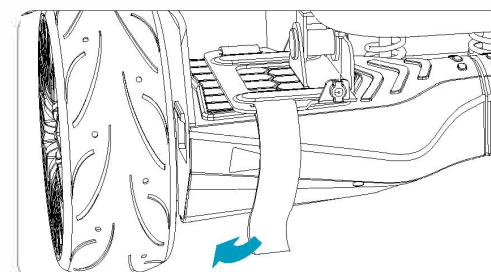
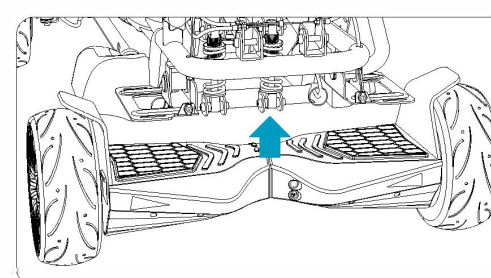
HOW TO ATTACH TO THE ELECTRIC SCOOTER

Check that the Electric Scooter is turned off, then:

1. Make sure the On/Off button of the Electric Scooter are outwards.
2. Parallel the kart to the electric scooter and place the bracket on top of the footmat of electric scooter. Make sure the bracket is fastened to the scooter.
3. Hook one side of the Velcro strap to the front of the base bracket. Then pull the strap under the electric scooter and attach the other side of the Velcro strap to the back of the base bracket. Pull the belt to ensure it is mounted as close and secure as possible around the electric scooter.
4. Repeat Step 3 with the other bracket, making sure that both velcro straps are securely connected to the brackets and snug around the bottom of the Electric Scooter.
5. Be sure to charge your electric scooter before sitting down. Then place it on a flat surface, face up, and turn it off.

6. Carefully sit on the seat, first place one foot on the pedal and then the other. This way your weight can balance your go-kart and prevent you from falling backwards.

7. Before sitting down, look down and make sure the Electric Scooter is horizontal facing up and be off. After you've followed all these steps, you can turn on the electric scooter then sit down. (Please note: If you turn on the scooter when it is not placed horizontally, the scooter will move forward or backward immediately, which is very dangerous)

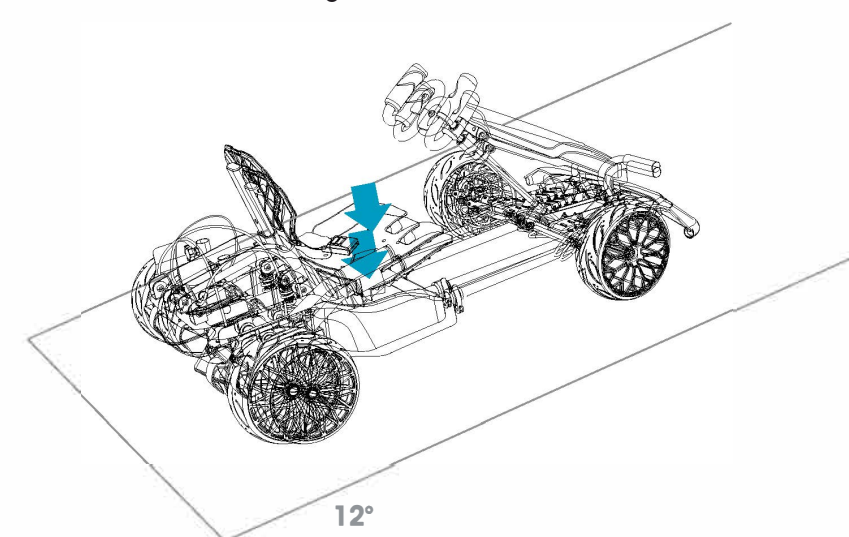


CONTENTS

- Go Kart x1
- Helmet x1
- screw-driver x1
- User Manual X1

Push down for going forward, lift up for backward

*Hoverboard is not including



E-Mail: support@hypergogo.us