

12 INCH MINI BIKE  
**USER MANUAL**

**CRUISER 12 PLUS**

EL-MB03P | EL-MB03C



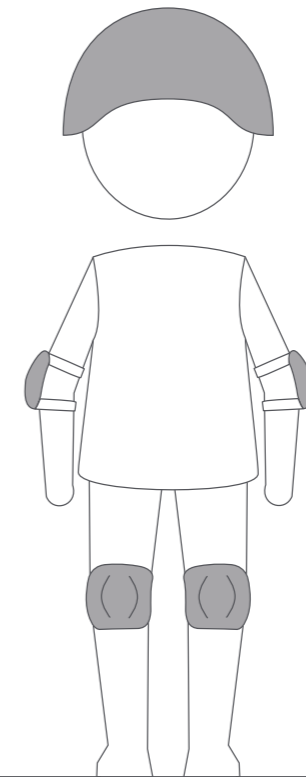
[www.hypergogo.com](http://www.hypergogo.com)

# THANK YOU!

**FOR CHOOSING OUR MINI BIKE!**

## BEFORE USING

Read and understand the user manual and all the other safety instructions and warnings before using the Mini Bike.



**6+ YRS.**

### **WARNING**

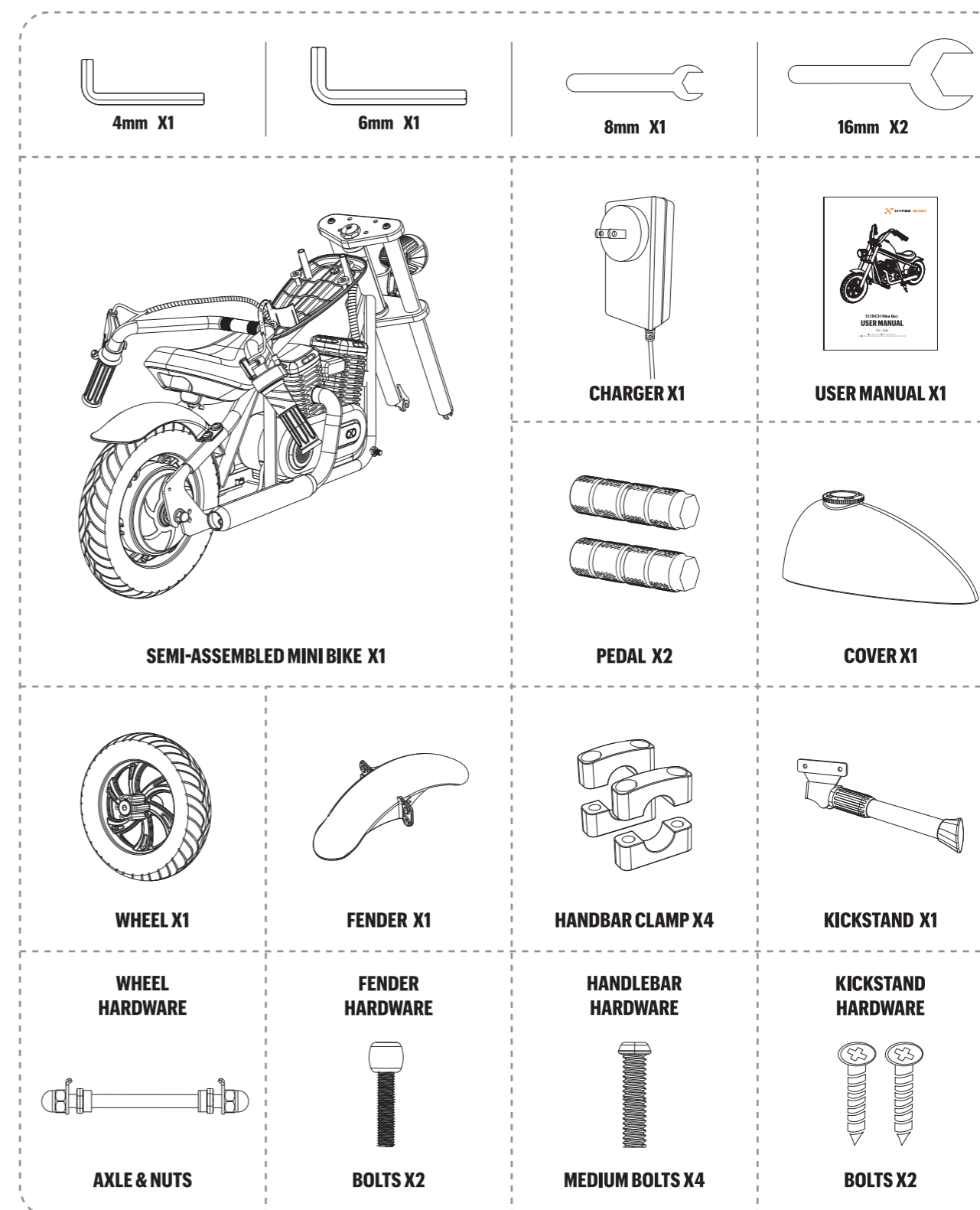
Operation of this Mini Bike by children under the age of 6 increases the risk of severe injury or death. Adult supervision required for children under age 12. NEVER permit children under age 6 to operate this Mini Bike.

# CONTENS

<b>WHAT'S IN THE BOX</b> .....	<b>03</b>
<b>SAFETY RIDING</b> .....	<b>04-05</b>
<b>ASSEMBLY</b> .....	<b>06-09</b>
<b>KNOWING THE MINI BIKE</b> .....	<b>10-11</b>
<b>CHARGE YOUR MINI BIKE</b> .....	<b>12-13</b>
<b>USAGE</b> .....	<b>14-17</b>
SWITCH ON/ OFF .....	14
STARTING THE MINI BIKE .....	15
STOPPING THE MINI BIKE .....	15
SPEED SWITCH .....	16
LED LIGHTS .....	16
ENGINE SOUND OPERATION .....	17
SIMULATED EXHUAST PIPE OPERATION .....	17
<b>SPECIFICATIONS</b> .....	<b>18</b>
<b>PAIRING YOUR BLUETOOTH DEVICE &amp; APP</b> .....	<b>19</b>
<b>MAINTENANCE &amp; REPAIR</b> .....	<b>20</b>
MAINTENANCE INSTRUCTIONS .....	20
SPECIAL ATTENTION INDICATORS .....	20

**\* A SPORTS AND RECREATIONAL MINI BIKE WITH STYLE.**

# WHAT'S IN THE BOX



**THE PICTURES IN THE MANUAL ARE JUST FOR REFERENCE.  
PLEASE REFER TO THE ACTUAL PRODUCT FOR ACCURACY.**

# SAFETY RIDING

- Before children use this Mini Bike, an adult should carefully evaluate the driving area as well as the child's ability to drive the Mini Bike safely. Teach appropriate safety rules to your child before allowing operation of this Mini bike. These rules should also be reviewed with other children who want to drive the Mini Bike.
- Remain seated. A child who is not sitting on the seat when the Mini Bike is in motion could fall or cause the Mini bike to tip over.
- Do not operate the Mini Bike at night.
- Do not operate the Mini Bike near steep inclines as it can cause the following:
  - Unsafe speed, even if the throttle is released.
  - Tipping
  - Loss of traction, causing the Mini Bike to slip.
  - Rolling backwards at an unsafe speed.
- Avoid contact with moving/rotating parts, such as the motor, chain, sprocket, disk brake, axle, and wheels. Contact with these parts can cause serious injury.
- Do not operate the Mini Bike when it's positioned on its side or upside-down.
- Do not operate the Mini Bike near flammable vapors (gasoline, paint thinner, acetone, liquid wax, etc.) as the electrical switch emits an internal spark, which could cause an explosion or fire.
- You should not ride if you are under the influence of alcohol or drugs, if you have a heart condition, are pregnant, have head, back, or neck ailments which limit your ability to ride safely, if you have any mental or physical conditions that may make you susceptible to injury or impair your physical dexterity or mental capabilities to recognize, understand, and perform all of the safety instructions and to be able to assume the hazards inherent with the product.
- Before each use, conduct a basic safety inspection including: (i) condition of tires; (ii) safe operation of brakes and lights; (iii) good condition of the frame; (iv) sufficient battery charge; and (v) any sign of damage, unusual or excessive wear, or other open and obvious mechanical problem/maintenance needs. Components shall be maintained and repaired in accordance with the manufacturer's specifications. Only the manufacturer's authorized replacement parts should be used to service your product.
- Only use on private property. Do not use on public property, streets, or sidewalks. Grass, dirt or other soft terrain are recommended.
- Do not ride aggressively, perform jumps, or take sharp turns. Aggressive riding may damage the product and increases risk.
- Do not carry or tow other products behind the Mini Bike for Kids.
- Do not use for racing, stunt riding, or other aggressive maneuvers.  
These types of riding may result in damage to the product and decrease rider control, resulting in injury.

## **WARNING** TO AVOID SERIOUS INJURY:

- Continuous adult supervision is required.
- Never use in roadways, near motor Mini Bikes, on or near steep inclines or steps, swimming pools, or other bodies of water.
- Never allow more than one rider.
- Riders should always be seated.
- Always wear shoes. Ensure shoes are tied and laces clear the drive and wheels.
- Maximum weight: 144.0 lbs. (65.0 kgs).
- Periodically check hardware and tighten it if necessary. Replace worn or broken parts immediately.
- Never use or store in wet conditions.
- For use in large open areas. Avoid collisions.
- Skill is required to avoid falls or collisions.
- Never ride at night.
- Only use the battery specified by the manufacturer.
- Only use the charger specified by the manufacturer.
- Riding the Mini Bike for Kids presents potential risks, and caution is required when riding. Inherent hazards are associated with its use (for example, falling off or riding it into a hazardous situation). Adult Supervision is needed, and adults must recognize that a rider can be seriously injured or die, even when safety precautions are taken. RIDE AT YOUR OWN RISK Children under six years are prohibited from using this product.
- A child must have the required skill level and maturity to ride this product safely. Not all 6-year-olds are equipped to ride the product. Ensure that the rider's physical size, age, weight, maturity, and ability to follow the rules are sufficient before letting your child ride.
- Risk of injury or death from loss of control, collisions, and falls. Always wear a properly fitted helmet and other protective equipment, such as elbow pads and kneepads, as this may be required by local law.
- Always keep two hands on the handlebars at all times.
- Do not touch the brake or motor housing after use. These components may be hot.



ALWAYS USE AN APPROVED  
HELMET AND PROTECTIVE  
GEAR FOR DRIVER AND  
PASSENGER



NEVER USE ON PUBLIC  
ROADS

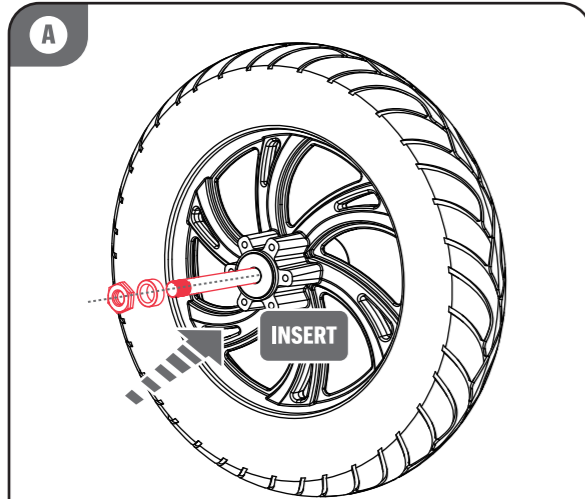


NEVER USE WITH  
DRUGS OR ALCOHOL

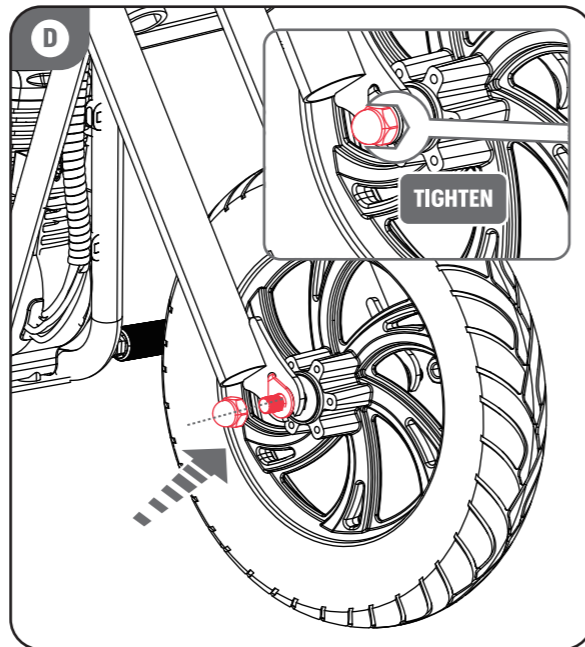
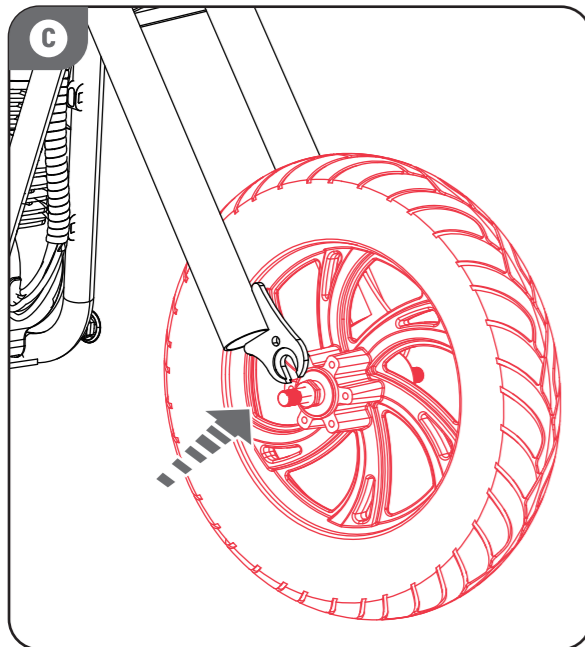
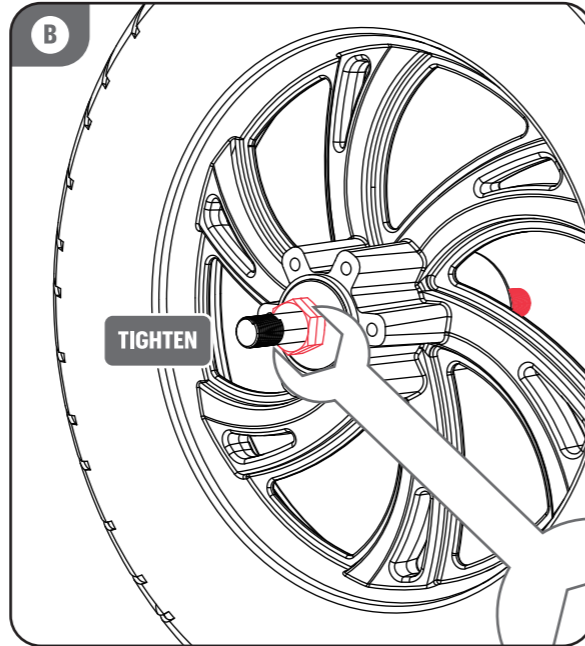


# ASSEMBLY

ADULTS MUST ASSIST CHILDREN IN THE ASSEMBLY AND INITIAL ADJUSTMENT PROCEDURES OF THE PRODUCT.

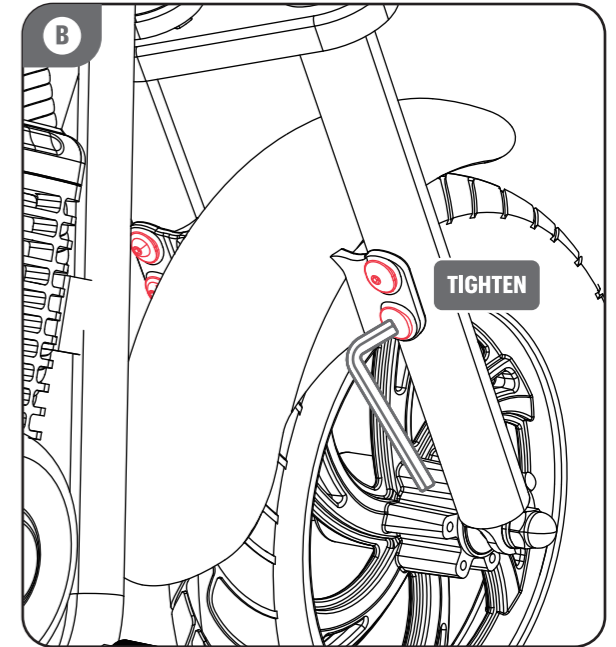
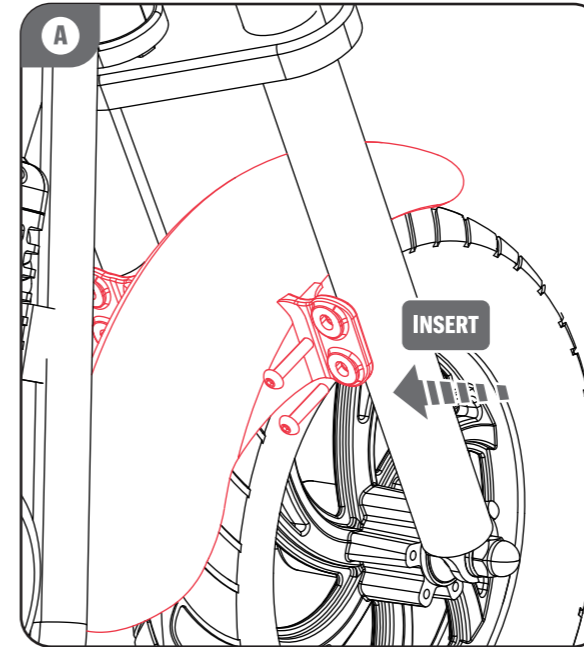


ALIGN THE INNER BEARING SLEEVE BEFORE INSTALLING WHEELS.

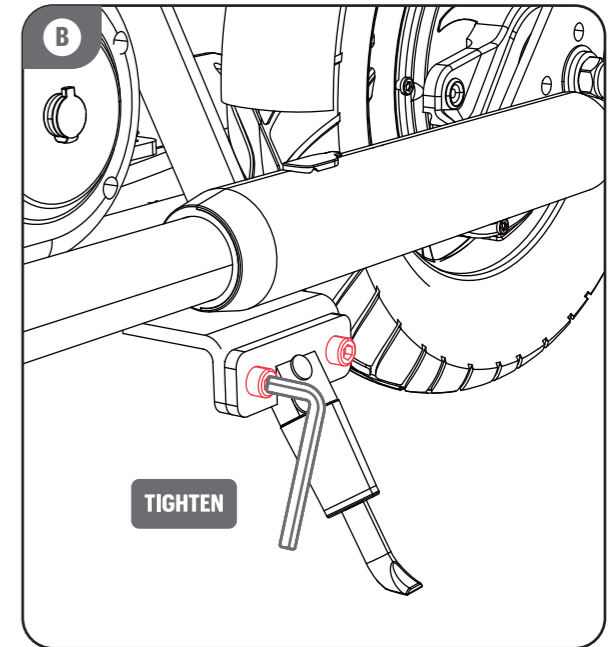
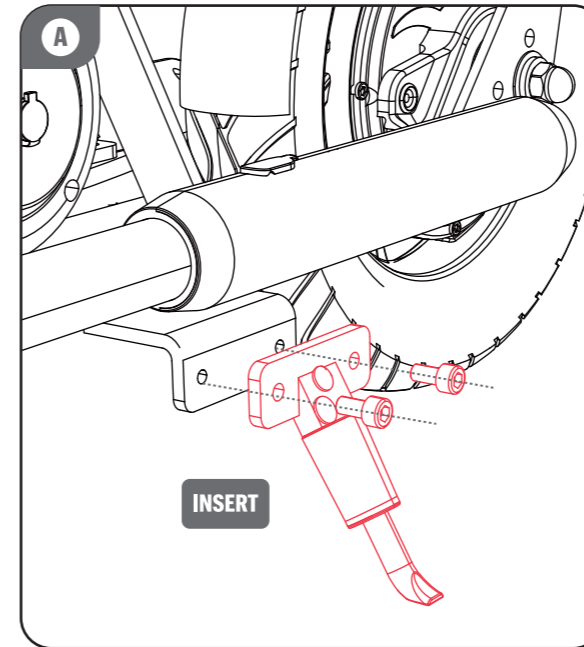


## FRONT WHEEL ASSEMBLY

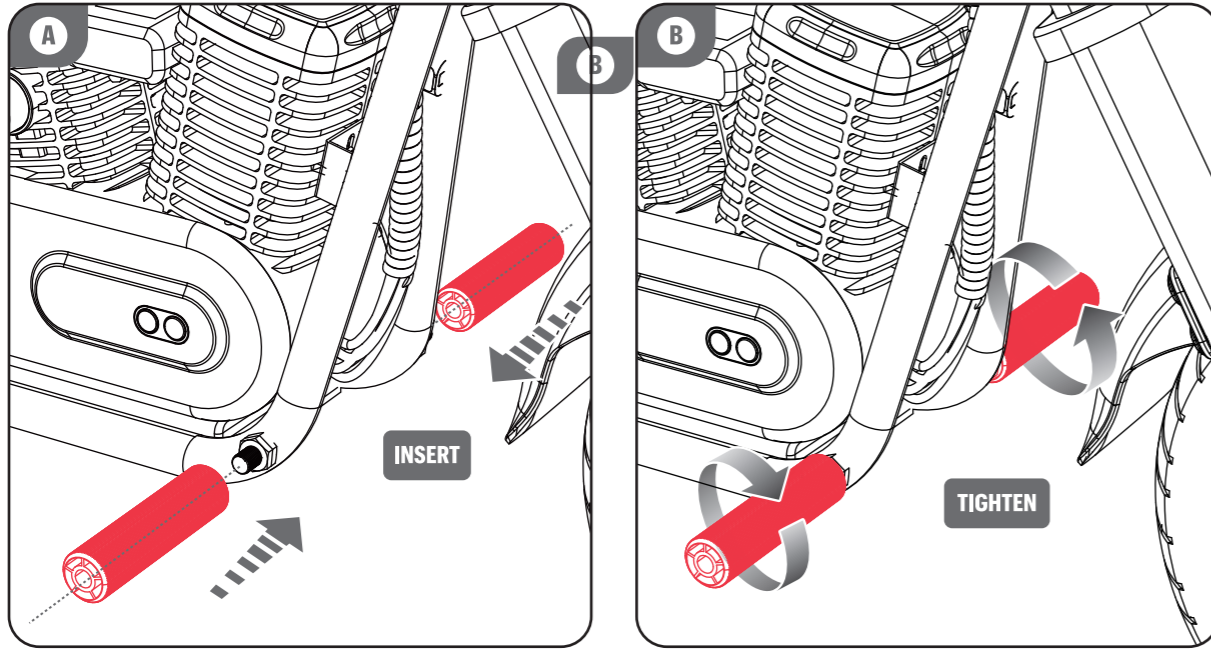
NOTE: BE CAREFUL WHEN INSTALLING THE FRONT WHEEL DUE TO SHARP POINTS OF FRONT FORK.



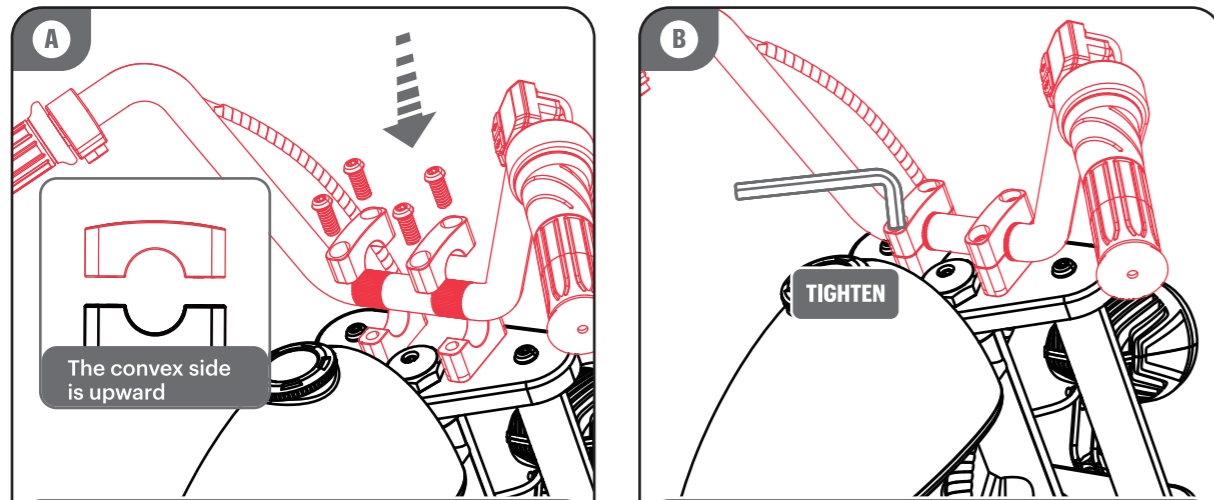
## MUDGUARD ASSEMBLY



## KICKSTAND ASSEMBLY



**PEDAL ASSEMBLY**

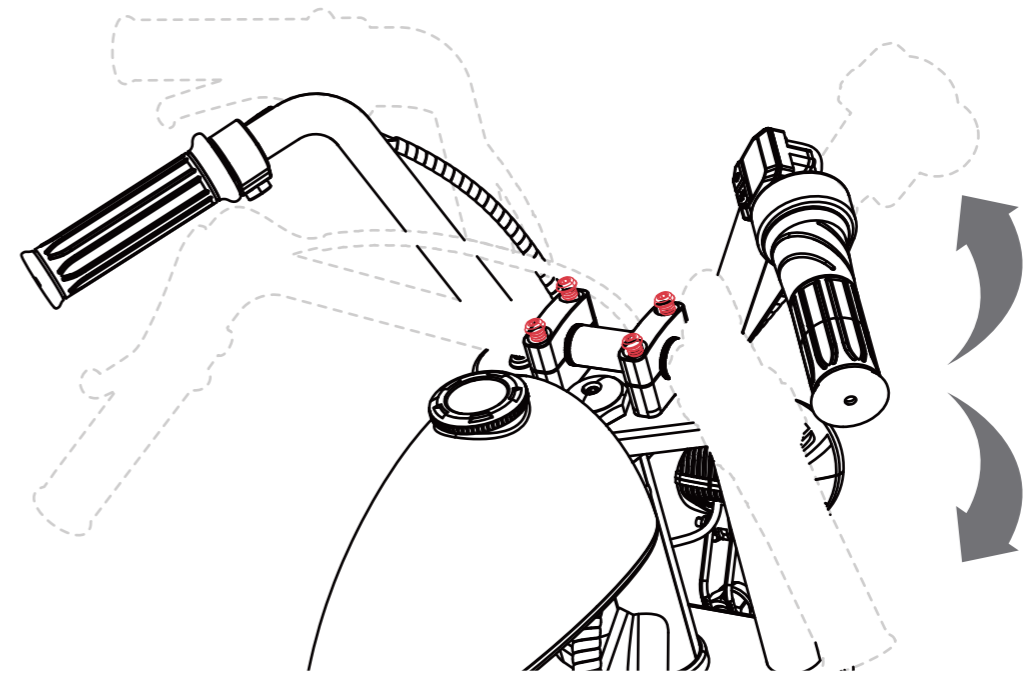


**PLACE HANDLEBARS IN HANDLEBAR CLAMP IN UPRIGHT, VERTICAL POSITION. INSERT BOLTS AND TIGHTEN SECURELY.**

**WHEN PROPERLY TIGHTENED, THE HANDLEBARS SHOULD NOT MOVE FORWARD OR BACK.**

**HANDLEBAR ASSEMBLY**

**NOTE: TAKE CARE WHEN INSTALLING HANDLEBARS, AVOID PINCHING THROTTLE AND BRAKE WIRES.**



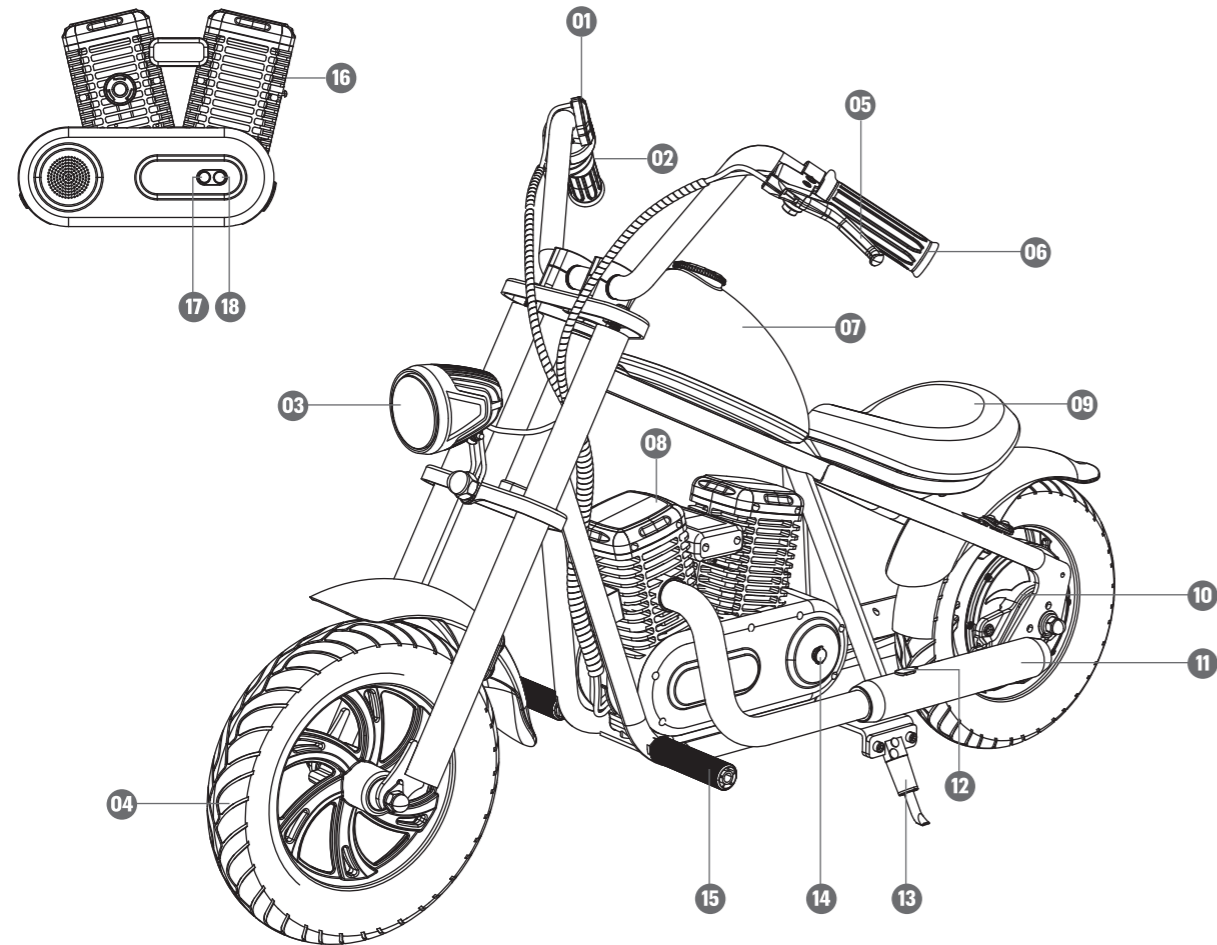
**NOTE: PLEASE RELEASE THE SCREWS OR BOLTS BEFORE ADJUSTING THE HANDLEBARS. WHEN PROPERLY TIGHTENED, THE HANDLEBARS SHOULD NOT MOVE FORWARD OR BACK.**

**HANDLEBAR ADJUSTMENT**

**ADJUSTABLE HANDLEBAR,CAN BE ADJUSTED TO THE COMFORTABLE POSITION.**

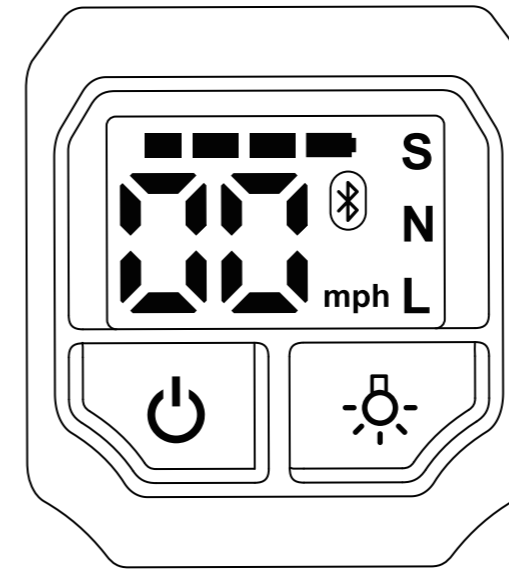
# KNOWING THE MOTORBIKE

The Mini Bike is a toy, it is not intended for transportation. In order to master riding skills, the rider needs to practice.



- |                |                           |                        |
|----------------|---------------------------|------------------------|
| 01 DISPLAY     | 07 STORAGE BOX            | 13 KICKSTAND           |
| 02 THROTTLE    | 08 BATTERY                | 14 CHARGING PORT       |
| 03 HEADLIGHT   | 09 SEAT                   | 15 PEDAL               |
| 04 FRONT WHEEL | 10 MOTOR                  | 16 SMART LED LIGHT     |
| 05 BRAKE       | 11 SIMULATED EXHAUST PIPE | 17 ENGINE SOUND SWITCH |
| 06 HANDLE BAR  | 12 WATER FILLING PORT     | 18 STEAM SWITCH        |

# THROTTLE INSTRUCTION



## ■■■■ BATTERY LEVEL

This icon indicates the battery remainder.

## 77 SPEED DISPLAY

This icon indicates the current speed in mph.

## Bluetooth BLUETOOTH

This icon will only appear after APP is successfully connected.

## S N L SPEED DISPLAY

This icon indicates the current speed level.  
L: 5mph / N: 8mph / S: 10mph

## Power ON/OFF BUTTON

Press and hold for 2 seconds to ON/OFF.  
Short press to adjust the max speed.

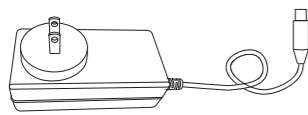
## Light Ambient LIGHT BUTTON

Press 2 seconds to turn on or off the headlights.  
Press twice quickly to turn on or off the atmosphere light.  
Press 1 time quickly to switch the lighting effects



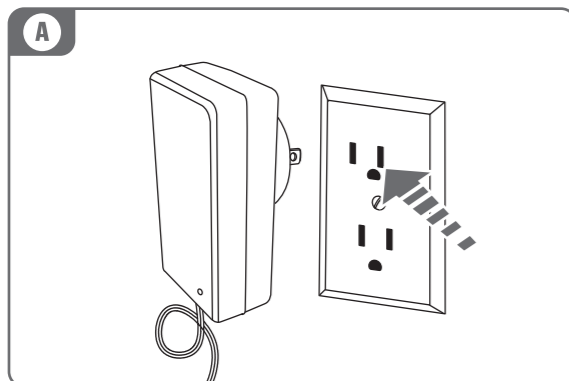
# CHARGE YOUR MOTORBIKE

Please charge your Mini Bike before using.

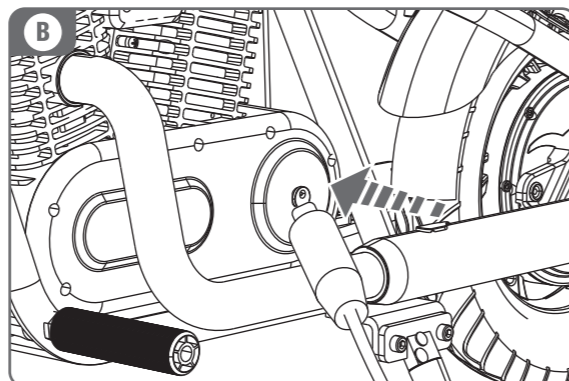


Make sure the Mini Bike is in Power Off status when charging.

**NOTE:** Battery and charger included - battery must be fully charged before use. Only use our battery and charger for this product.



Plug the charger plug into the wall outlet. The light on the charger should be green. Note: Try a different outlet if the green light (LED) does not turn on.



Open the charging port cover, plug in and charge. The light on the charger will be red during charging and turn green after being fully charged.

## **WARNING**

### **BATTERY SAFETY WARNINGS:**

- Read all instructions and cautionary markings on the charger, battery pack, and the Mini Bike before use.
- Only use the specified 24V charger to charge this battery.
- Do not attempt to charge with any other charger.  
DO NOT store the battery in locations where the temperature is below 32°F (0°C) or above 122°F (50°C).
- Battery will not power Mini Bike in temperatures below -4°F (-20°C) or above 122°F (50°C).
- Do not charge the battery in temperatures below 14°F (-10°C) or above 122°F (50°C) as it will cause damage to the battery pack.
- Do not incinerate the battery pack. The battery can explode in a fire.
- Never attempt to open or disassemble the battery pack for any reason. If the plastic breaks or cracks, stop use and call customer service.
- To prevent electric shock, do not immerse the charger or battery in water when cleaning. To clean, remove the charger/battery plug from the outlet and wipe with a dry cloth.
- The battery pack is not fully charged out of the carton. First read the safety instructions and then follow the charging proper procedures.
- During charging, the battery must be placed in a dry ventilated area.
- When charging is complete, disconnect the charger from the wall outlet.
- Keep battery and charger in a dry place out of reach of children.

## **WARNING**

### **CHARGER SAFETY WARNINGS:**

- Before using the charger read all instructions and cautionary markings on the charger, battery pack, and the Mini Bike.
- Do not use this charger for any other products. It is intended for Mini Bike 21.9V lithium-ion battery powered Mini Bikes only.
- Do not operate the charger if it has been impacted, dropped, or damaged in any way. Examine the charger and battery before each use and replace them if wear or damage is found.
- The charger is designed to operate on standard household electrical power (100/240V). Do not attempt to use the charger on any other voltage level!
- Never modify the electrical system as this may result in a risk of electric shock, electrocution, or fire.
- To reduce risk of damage to the charger, pull from the plug rather than the cord when removing from an outlet.
- Make sure the cord is located so that it will not be stepped on, tripped over, or otherwise subjected to damage or stress.
- An extension cord should not be used unless absolutely necessary. Use of an improper extension cord could result in the risk of fire, electric shock, or electrocution.
- To prevent electric shock, do not immerse the charger or battery in water when cleaning. To clean, remove the charger/battery plug from the outlet and wipe with a dry cloth.
- Do not place any object on top of the charger or place the charger on a soft surface that may result in excessive heat. Place the charger away from any heat sources.
- When charging is complete, disconnect the charger from the wall outlet and the battery. Place the battery and charger in a place out of reach from children.
- Keep battery and charger in a dry place out of reach of children.
- Do not disassemble the charger or attempt to repair a damaged charger. If the charger is damaged contact Mini Bike customer service.
- This power unit is intended to be correctly oriented in a vertical or floor mount position.

## **WARNING**

This product uses rechargeable Lithium batteries. Improper use may cause serious injury or death. Do not charge the product indoor or sleeping.



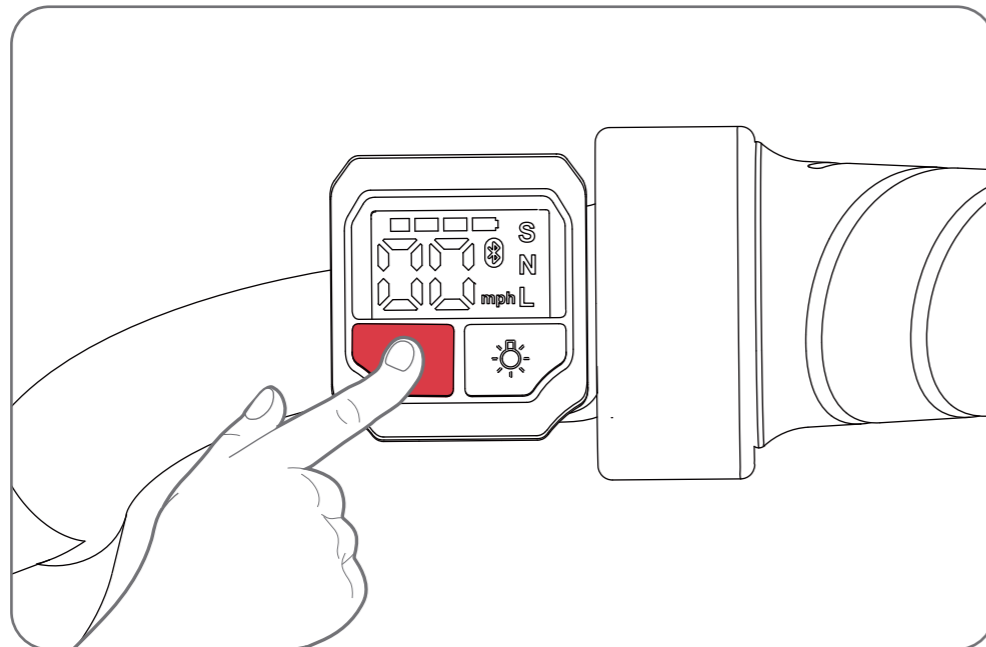
## USAGE

- Always wear proper protective equipment, such as an approved safety helmet (with chin strap securely buckled), elbow pads, and kneepads.
- A helmet may be legally required by local law or regulation in your area.
- Always wear shoes and keep shoelaces tied and out of the way of the wheels and motor. Never ride barefooted or in sandals.



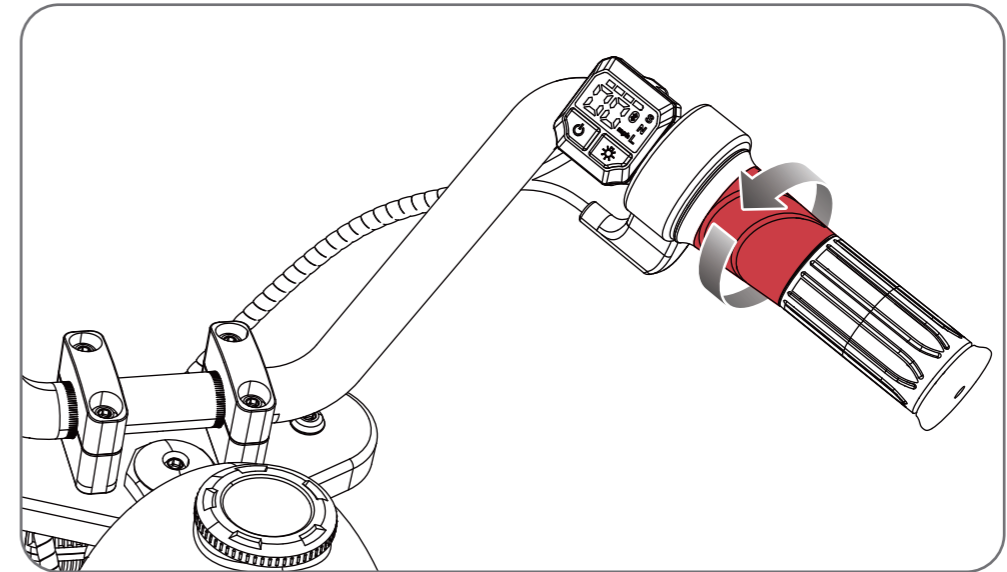
## SWITCH ON/OFF

- Turn On: Press the button for 2 seconds, there will be a ring after turn on.
- Turn off: Press the button for 2 seconds, after "Power off" rings, it turns off.



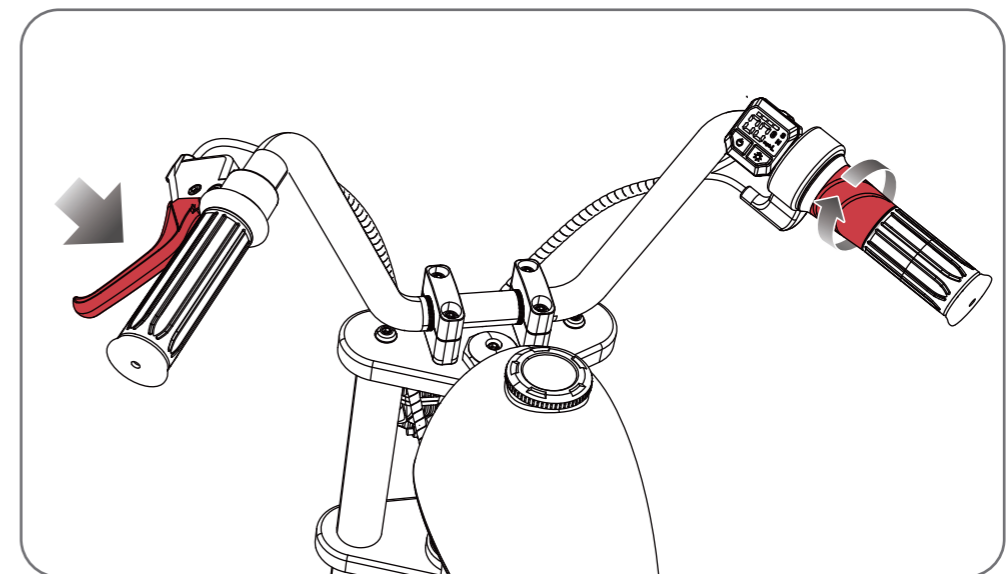
## STARTING THE MINI BIKE

To start Mini Bike, while seated on seat, turn on power switch; place both hands on handlebars and apply the throttle with right hand.



## STOPPING THE MINI BIKE

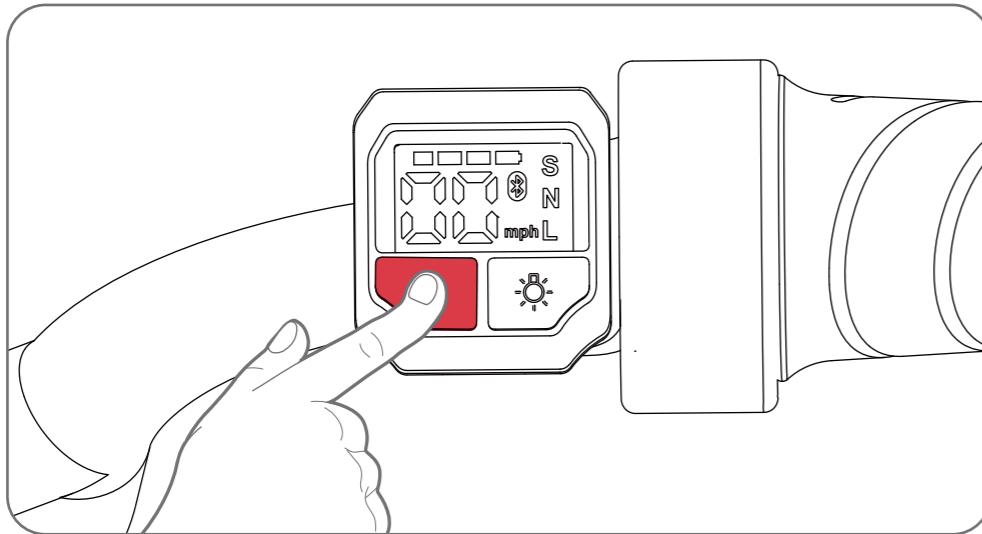
To stop unit, release the throttle and apply the brake until the four wheeler comes to a complete stop.



## SPEED SWITCH

3 gears shift design, easily changing by pressing the gear shift button.  
Gear shift: The speed can be changed by turning the handle.

**L** LOW 5MPH    **N** MID 8MPH    **S** MAX 10MPH



## LED LIGHTS

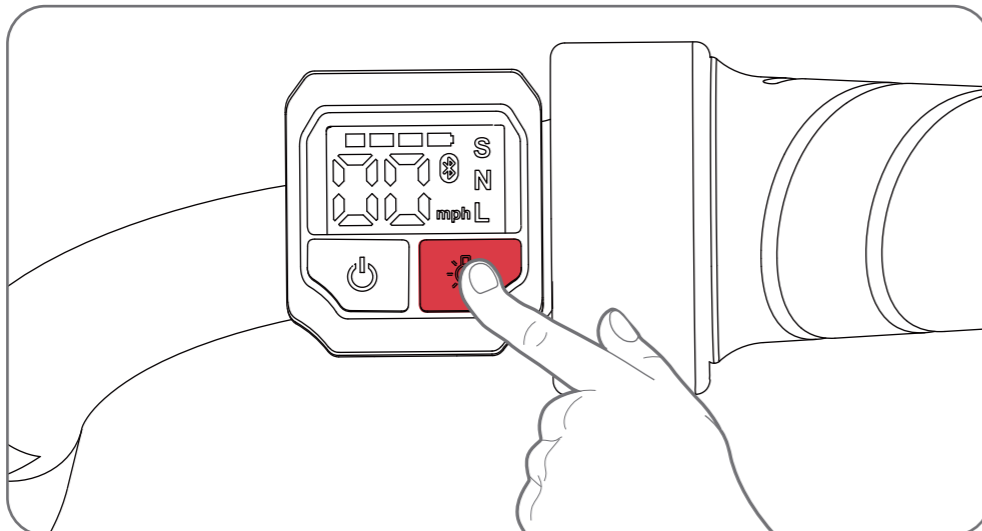
Light-up on the Mini Bike design.

There are two kinds of lights on Mini Bike: light-up on Mini Bike & Luminosity spotlight.

When the Mini Bike turns on, the lights will all be on.

- Press and hold the light button for 2 seconds to turn on or off the headlights.
- Press the light button for twice quickly to turn on or turn off the atmosphere light.
- Press the light button for 1 time quickly to switch the lighting effects, with the order of switching being **rainbow flow, rainbow breath, green, purple, red.**

**THE APP CAN BE USED TO TURN ON/OFF AND SWITCH THE LIGHTS.**

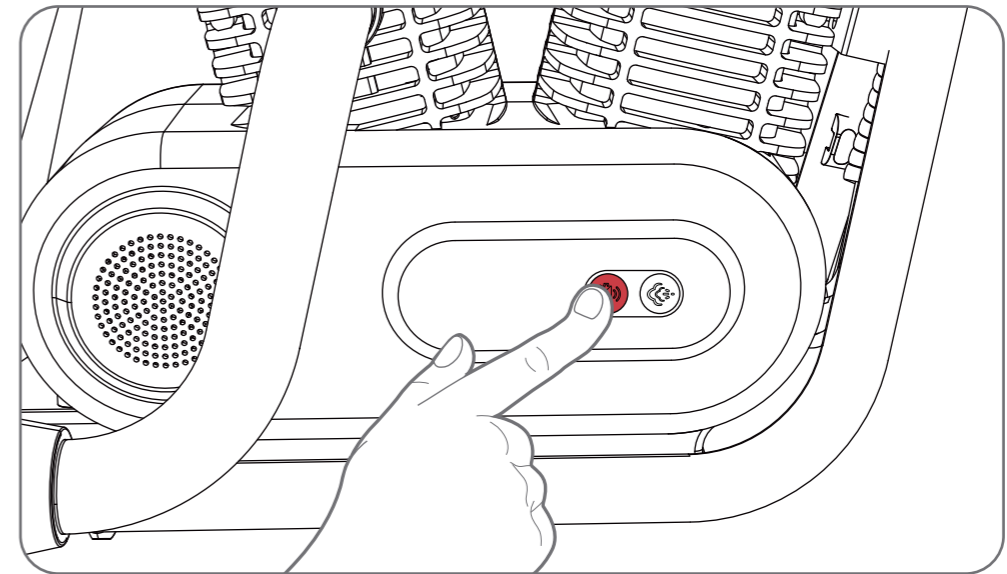


## ENGINE SOUND OPERATION

Engine sound is turned on when the bike starts up by default setting.

Press the switch button 1 time to turn it on / off. Can only use the switch button to operate it. Can't use APP to change the status of engine sound function.

**NOTE:** When playing music via Bluetooth, the engine sound will be muted and only play music.

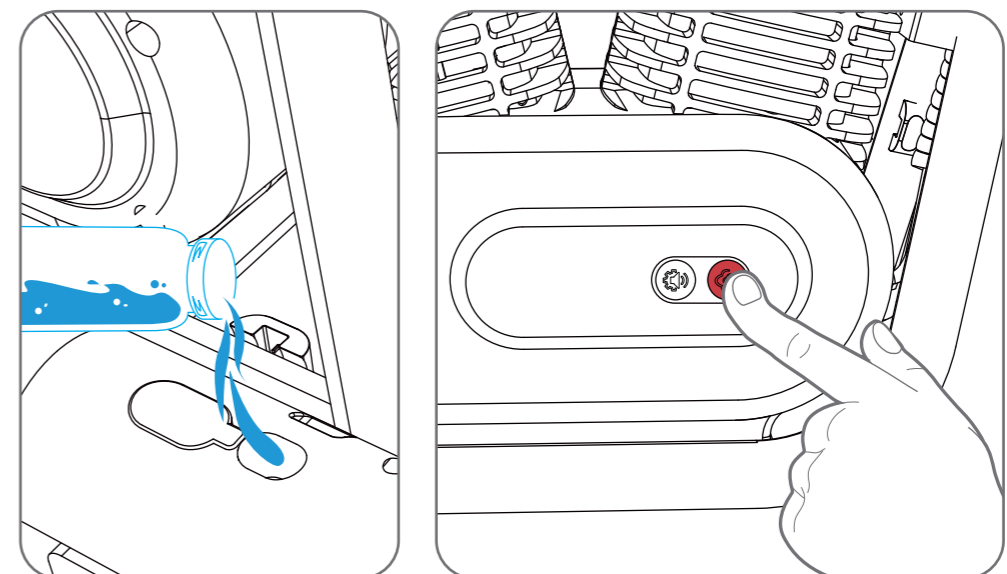


## SIMULATED EXHAUST PIPE OPERATION



The function default setting upon motorbike startup is "off".

Switch On: Open the cap of water filling port, add some appropriate water, then press the switch button.

Switch off: Press the switch button 1 time.



# SPECIFICATIONS

MODEL NO	EL-MB03P	EL-MB03C
IMAGE		
PRODUCT DIMS (INCH)	L45.3" X W19.6" X H28.5"	L45.3" X W19.6" X H28.5"
N. W (LBS)	34.4	34.4
BATTERY TYPE	LI-ION 21.9V 5.2A	LI-ION 21.9V 5.2A
INPUT	DC 24V/1.5A	DC 24V/1.5A
MOTOR	24V 160W	24V 160W
MAX.LOAD (LBS)	144.0	144.0
MAX.SPEED(MPH)	10.0	10.0
TORQUE (N.M)	11.0	11.0
MAX. RANGE (MILES)	8.0	8.0
SPEED MODE	3 LEVELS	3 LEVELS
CHARGE TIME	4 HOURS	4 HOURS
TIRES (INCH)	12.0*3.0	12.0*3.0
HEADLIGHT	✓	✓
DISPLAY	✓	✓
FENDER	✓	✓
APP	--	✓
LED LIGHT	✓	✓
SMOKE	✓	✓
SPEAKER	✓	✓

# PAIRING YOUR BLUETOOTH DEVICE

- Ensure both the Bluetooth® function in your device and the Mini Bike are turned on.
- Open the Mini Bike APP on your device to connect wirelessly to the Mini Bike.
- On your device, locate the Bluetooth® device list. Select "Hypergogo" from the list.

## APP

Play your Music/Customize LED Lights/3 Speed Modes

- Change the light modes via APP;
- Change the Mini Bike working modes by APP.
- Can set any speed in the set-up working mode scope.
  - Kids mode: Max. 5 MPH
  - Normal mode: Max. 8 MPH
  - Sports mode: Max. 10 MPH

GET IT ON  
Google Play
Download on the  
App Store



**PASSWORD: 000000**

# MAINTENANCE & REPAIR

## **WARNING**

### **MAINTENANCE INSTRUCTIONS:**

- It is the responsibility of the adult who assembles this product to properly install all parts included in the carton. These instructions are valuable.
- Check nuts and bolts often and tighten if necessary.
- Any parts showing evidence of wear should be replaced immediately.
- Check all screws and their protective coverings regularly and tighten as required. Check plastic parts on a regular basis for cracks or broken pieces.
- During snowy or rainy weather, the Mini Bike should be stored inside.
- Do not operate the Mini Bike in wet or snowy conditions.
- Do not clean the Mini Bike by spraying with a hose. Water or moisture in the motors, battery, or electrical components can cause component failure.
- To clean the Mini Bike use a dry cloth. A non-wax furniture polish can be used to clean plastic parts. Do not spray the Mini Bike with a hose or submerge in water.
- Check tire pressure prior to riding. Air may slowly escape if the inner tube has been damaged or punctured, patch or replace the tube if pressure is routinely low prior to riding.
- Inspect tires for wear and tear periodically, the tire tread will wear over time during normal use. Replace the tire once the wear is excessive or impacts product performance.
- Before riding, check the frame and handlebars for cracks or broken connection points. Aggressive riding or crashing into objects may damage or destroy the frame or handlebars. Thoroughly inspect the frame, handlebars, and hardware after any incident and before every ride.

## **SPECIAL ATTENTION INDICATORS**

HEADLIGHT LED	ERROR
E1	<b>COMMUNICATION FAILURE (THE INSTRUMENT CANNOT RECEIVE DATA)</b>
E2	<b>HANDLEBAR FAILURE</b>
E3	<b>BRAKE LEVER MALFUNCTION</b>
E4	<b>HALL FAILURE</b>
E5	<b>SHORT CIRCUIT FAULT</b>
E6	<b>BATTERY FAILURE</b>
E7	<b>COMMUNICATION FAILURE (CONTROLLER CANNOT RECEIVE DATA)</b>