

# USER MANUAL

**HYPER QUAD**

*For Kids*

Please read the user manual before operating Hyper Quad Electronic ATV,  
and follow the guide of the proper using instruction on using and maintenance of the Hyper Quad Electronic ATV !

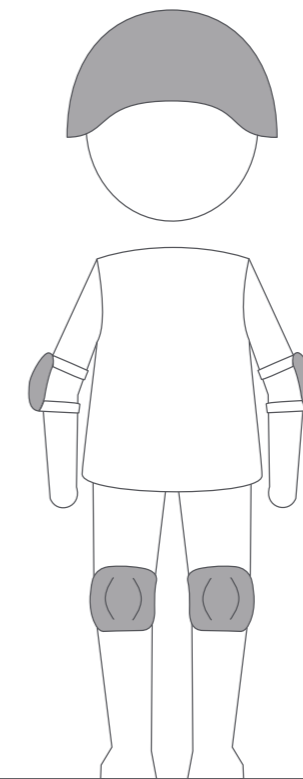
FC ♻️ RoHS   
[www.hypergogo.us](http://www.hypergogo.us)

# THANK YOU!

**FOR CHOOSING OUR HYPER QUAD ELECTRIC 4-WHEELER ATV!**

## BEFORE USING

Read and understand the user manual and all the other safety instructions and warnings before using the Hyper Quad.



**6+ YRS.**

## **WARNING**

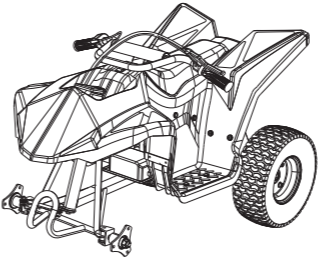
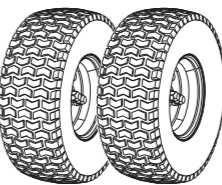
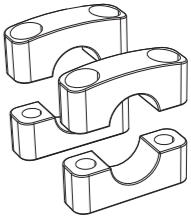


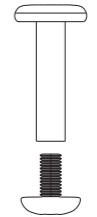

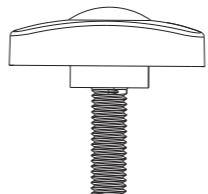
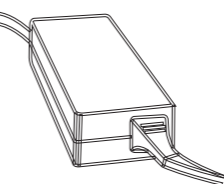

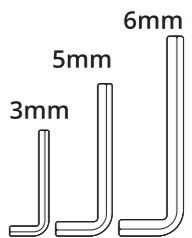
Operation of this ATV by children under the age of 6 increases the risk of severe injury or death. Adult supervision required for children under age 16. NEVER permit children under age 6 to operate this ATV.

# CONTENS

<b>WHAT'S IN THE BOX</b> .....	<b>02</b>
<b>SAFETY RIDING</b> .....	<b>03-04</b>
<b>ASSEMBLY</b> .....	<b>05-07</b>
<b>KNOWING THE ATV</b> .....	<b>08</b>
<b>CHARGE YOUR ATV</b> .....	<b>09-10</b>
<b>USAGE</b> .....	<b>11-14</b>
SWITCH ON/ OFF .....	11
STARTING THE ATV .....	12
STOPPING THE ATV .....	12
SPEED SWITCH .....	13
INDICATOR LIGHTS .....	13
LED LIGHTS .....	14
<b>MAIN BODY SPECIFICATIONS</b> .....	<b>15</b>
<b>PAIRING YOUR BLUETOOTH DEVICE &amp; APP</b> .....	<b>16</b>
<b>MAINTENANCE &amp; REPAIR</b> .....	<b>17-20</b>
MAINTENANCE INSTRUCTIONS.....	17
SPECIAL ATTENTION INDICATORS .....	17-18
TROUBLE SHOOTING .....	19-20

**\* IT IS A SPORTS AND RECREATIONAL VEHICLE WITH STYLE.**


# WHAT'S IN THE BOX

 <p><b>HYPER QUAD X1</b></p>	 <p><b>WHEEL X2</b></p>	 <p><b>HANDBAR CLAMP X4</b></p>	
<p><b>HANDLEBAR HARDWARE</b></p>  <p><b>MEDIUM BOLTS X4</b></p>	<p><b>WHEEL HARDWARE</b></p>  <p><b>SMALL BOLTS X6</b></p>	<p><b>SUSPENSION HARDWARE</b></p>  <p><b>LARGE BOLT &amp; NUTS X1</b></p>	<p><b>GEAR HARDWARE</b></p>  <p><b>BOLTS X1</b></p>
<p><b>RACING FLAG SUPPORT HARDWARE</b></p>  <p><b>BOLTS X1</b></p>	 <p><b>CHARGER X1</b></p>	 <p><b>USER MANUAL X1</b></p>	 <p><b>ALLEN WRENCH X3</b></p>

**\* ADULTS MUST ASSIST CHILDREN WITH THE ASSEMBLY AND INITIAL ADJUSTMENT PROCEDURES OF THE PRODUCT.**

# SAFETY RIDING

- Before children use this vehicle, an adult should carefully evaluate the driving area as well as the child's ability to drive the vehicle safely. Teach appropriate safety rules to your child before allowing operation of this vehicle. These rules should also be reviewed with other children who want to drive the vehicle.
- Remain seated. A child who is not sitting on the seat when the vehicle is in motion could fall or cause the vehicle to tip over.
- Do not operate the vehicle at night.
- Do not operate the vehicle near steep inclines as it can cause the following:
  - Unsafe speed, even if the throttle is released.
  - Tipping
  - Loss of traction, causing the vehicle to slip.
  - Rolling backwards at an unsafe speed.
- Avoid contact with moving/rotating parts, such as the motor, chain, sprocket, disk brake, axle, and wheels. Contact with these parts can cause serious injury.
- Do not operate the vehicle when it's positioned on its side or upside-down.
- Do not operate the vehicle near flammable vapors (gasoline, paint thinner, acetone, liquid wax, etc.) as the electrical switch emits an internal spark, which could cause an explosion or fire.
- You should not ride if you are under the influence of alcohol or drugs, if you have a heart condition, are pregnant, have head, back, or neck ailments which limit your ability to ride safely, if you have any mental or physical conditions that may make you susceptible to injury or impair your physical dexterity or mental capabilities to recognize, understand, and perform all of the safety instructions and to be able to assume the hazards inherent with the product.
- Before each use, conduct a basic safety inspection including: (i) condition of tires; (ii) safe operation of brakes and lights; (iii) good condition of the frame; (iv) sufficient battery charge; and (v) any sign of damage, unusual or excessive wear, or other open and obvious mechanical problem/maintenance needs. Components shall be maintained and repaired in accordance with the manufacturer's specifications. Only the manufacturer's authorized replacement parts should be used to service your product.
- Only use on private property. Do not use on public property, streets, or sidewalks. Grass, dirt or other soft terrain are recommended.
- Do not ride aggressively, perform jumps, or take sharp turns. Aggressive riding may damage the product and increases risk.
- Do not carry or tow other products behind the Hyper Quad for Kids.
- Do not use for racing, stunt riding, or other aggressive maneuvers. These types of riding may result in damage to the product and decrease rider control, resulting in injury.

 **WARNING**

Improper tire pressure or overloading can cause loss of control. LOSS of control can result in severe injury or death.

- Cold tire pressure:
  - Front: **20.0** ± 0.3 psi (140 ± 2 kPa)
  - Rear : **20.0** ± 0.3 psi (140 ± 2 kPa)
- Maximum weight capacity: **297** lbs.(135 kg)

## **WARNING** TO AVOID SERIOUS INJURY:

- Continuous adult supervision is required.
- Never use in roadways, near motor vehicles, on or near steep inclines or steps, swimming pools, or other bodies of water.
- Never allow more than one rider.
- Riders should always be seated.
- Always wear shoes. Ensure shoes are tied and laces clear the drive and wheels.
- Maximum weight: 165.0 lbs. (75.0 kgs).
- Periodically check hardware and tighten it if necessary. Replace worn or broken parts immediately.
- Never use or store in wet conditions.
- For use in large open areas. Avoid collisions.
- Skill is required to avoid falls or collisions.
- Never ride at night.
- Only use the battery specified by the manufacturer.
- Only use the charger specified by the manufacturer.
- Riding the Hyper Quad for Kids presents potential risks, and caution is required when riding. Inherent hazards are associated with its use (for example, falling off or riding it into a hazardous situation). Adult Supervision is needed, and adults must recognize that a rider can be seriously injured or die, even when safety precautions are taken. RIDE AT YOUR OWN RISK Children under six years are prohibited from using this product.
- A child must have the required skill level and maturity to ride this product safely. Not all 6-year-olds are equipped to ride the product. Ensure that the rider's physical size, age, weight, maturity, and ability to follow the rules are sufficient before letting your child ride.
- Risk of injury or death from loss of control, collisions, and falls. Always wear a properly fitted helmet and other protective equipment, such as elbow pads and kneepads, as this may be required by local law.
- Always keep two hands on the handlebars at all times.
- Do not touch the disc brake or motor housing after use. These components may be hot.



ALWAYS USE AN APPROVED HELMET AND PROTECTIVE GEAR FOR DRIVER AND PASSENGER



NEVER USE ON PUBLIC ROADS



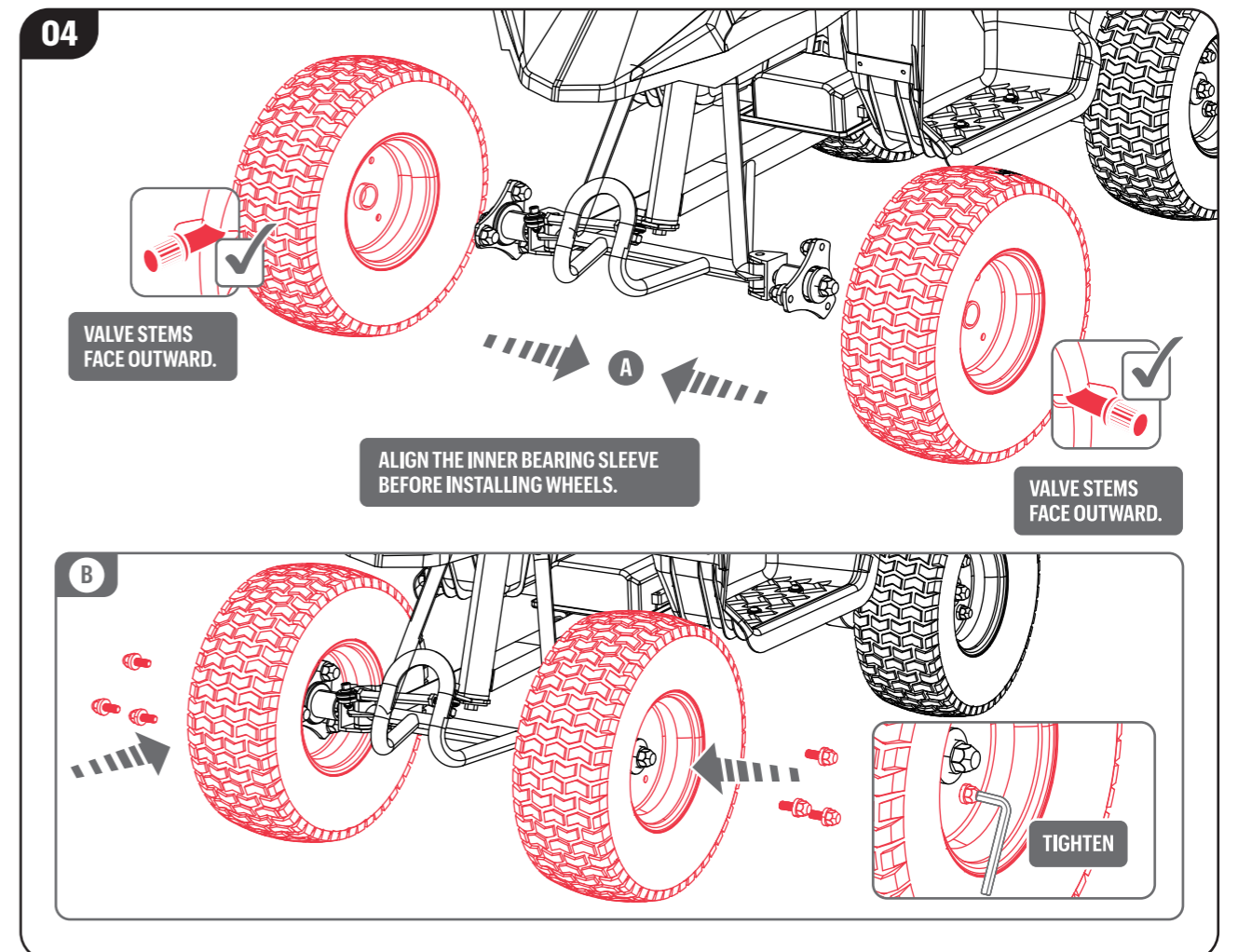
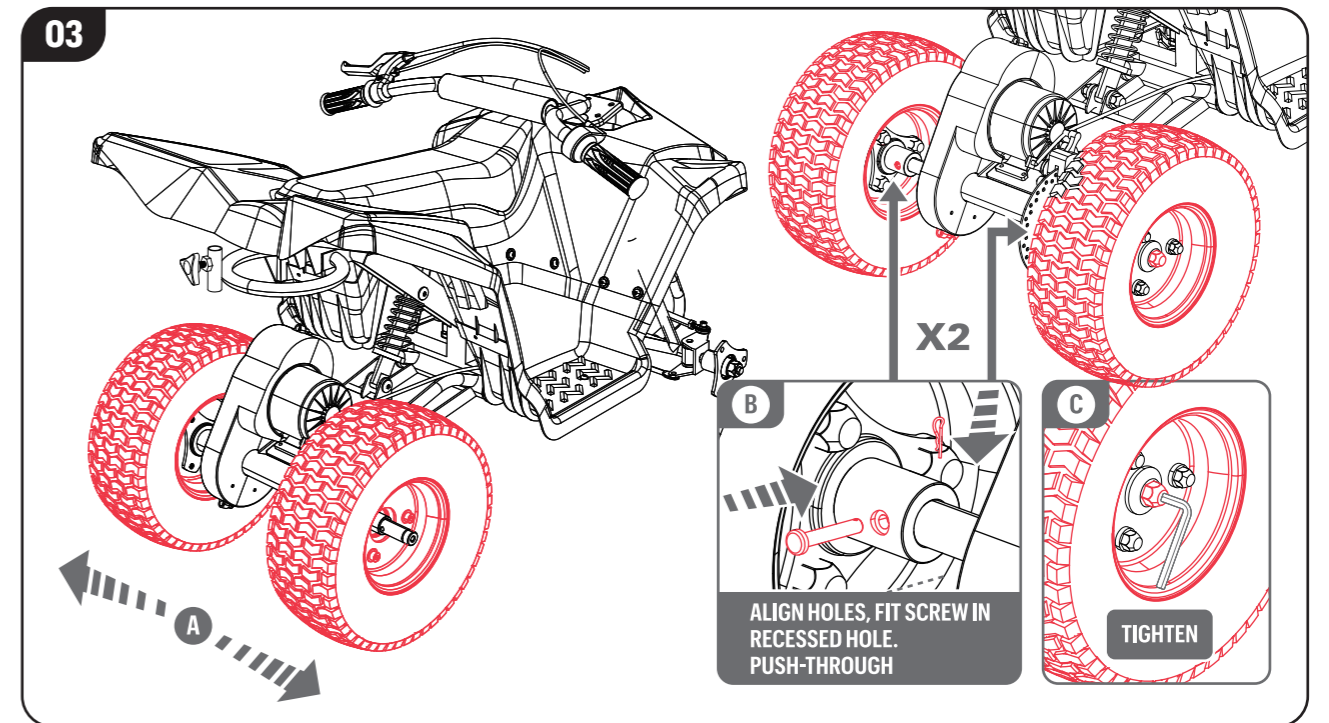
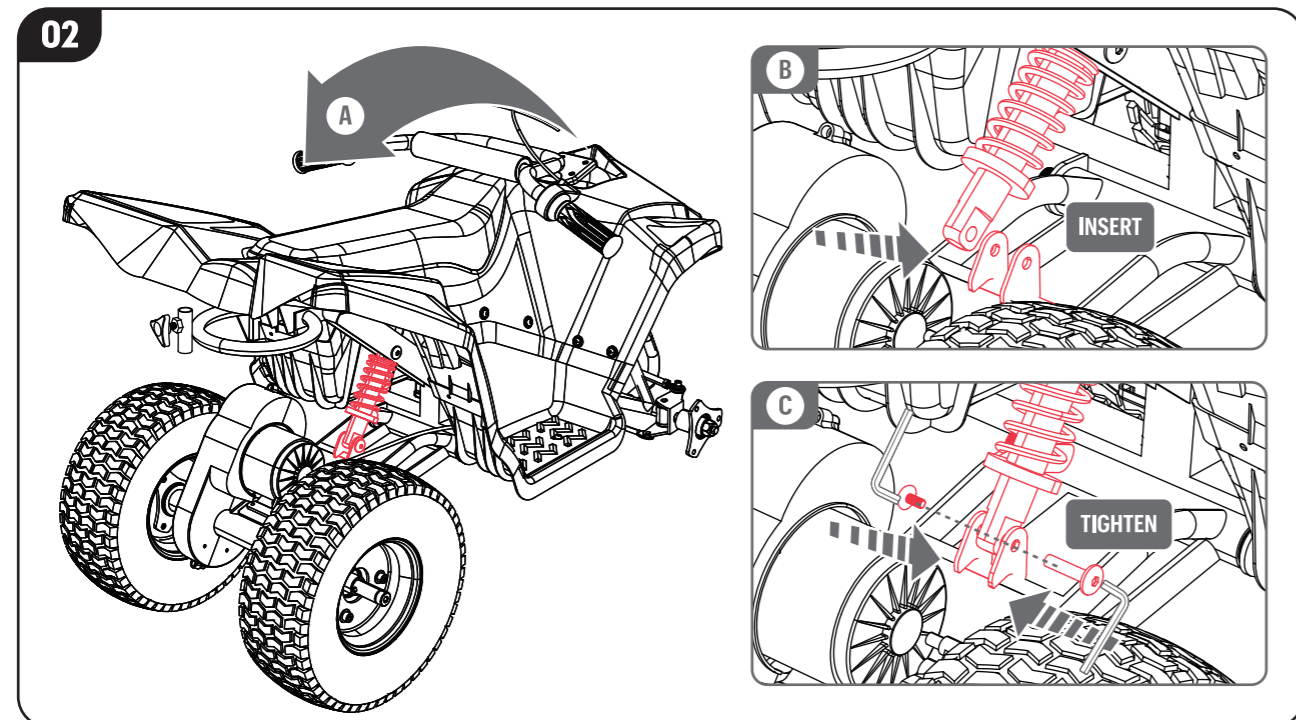
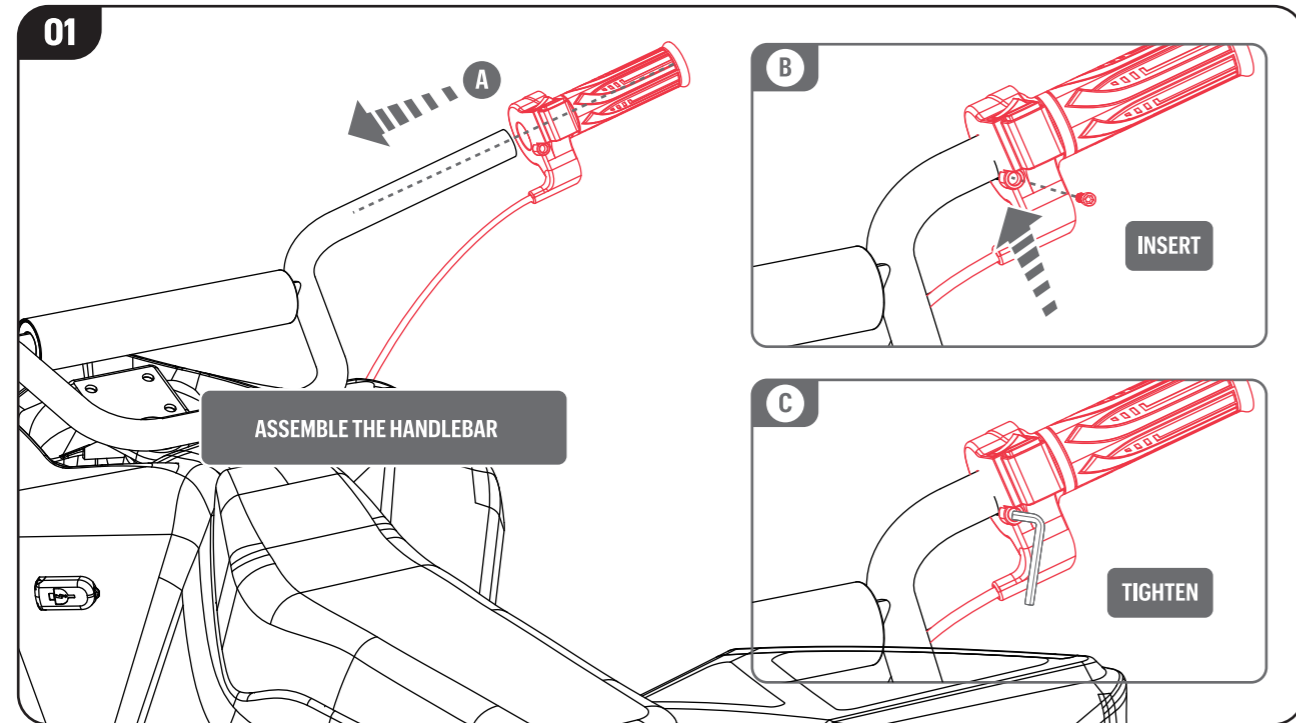
NEVER CARRY MORE THAN 1 PASSENGER

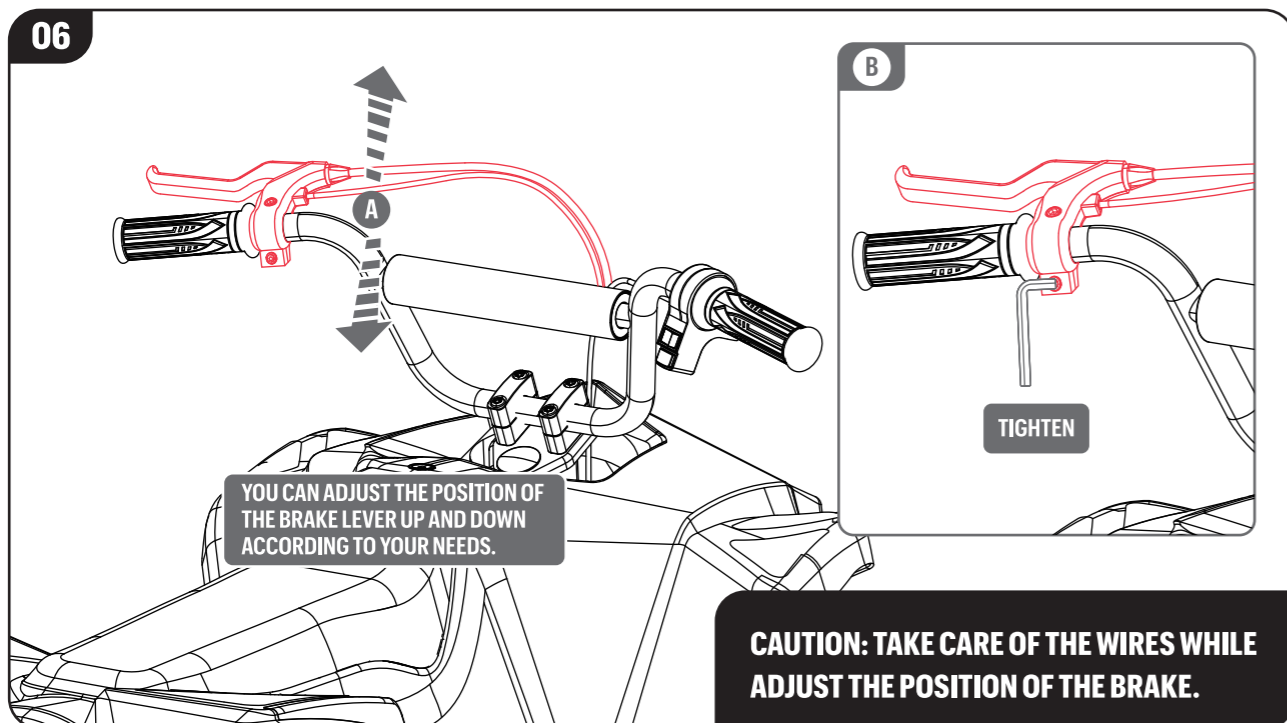
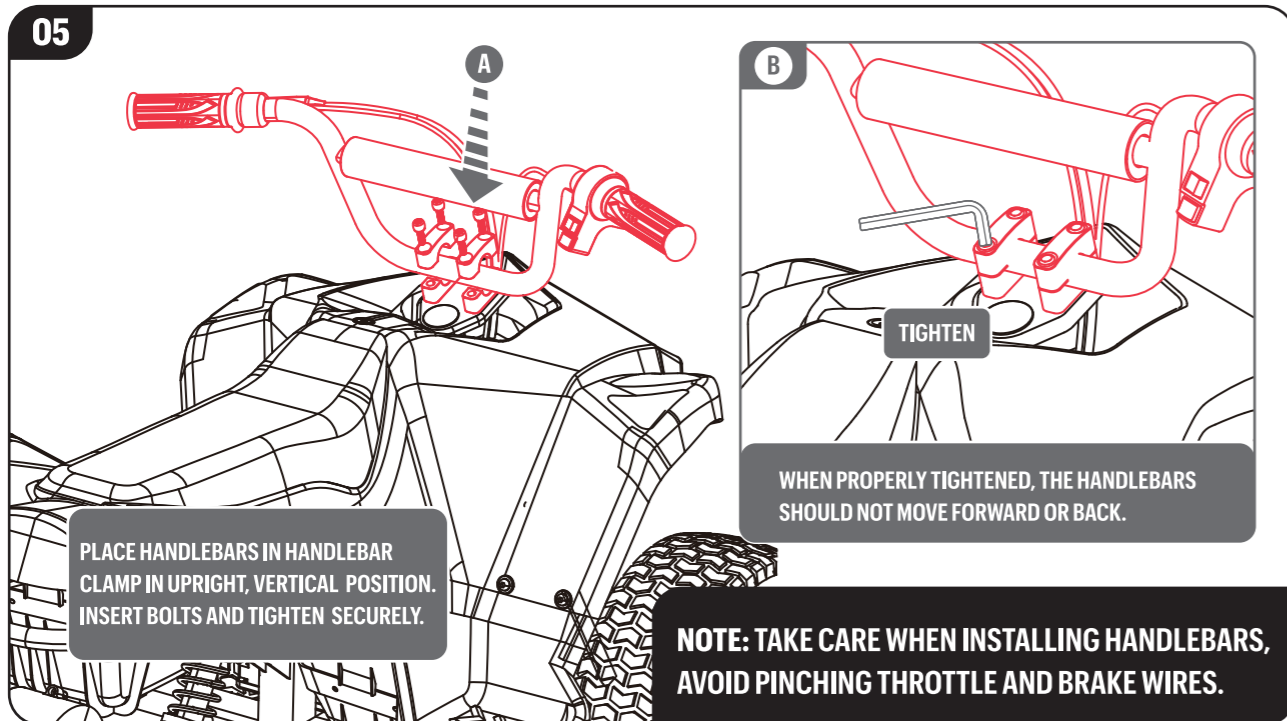


NEVER USE WITH DRUGS OR ALCOHOL

# ASSEMBLY

ADULTS MUST ASSIST CHILDREN IN THE ASSEMBLY AND INITIAL ADJUSTMENT PROCEDURES OF THE PRODUCT.

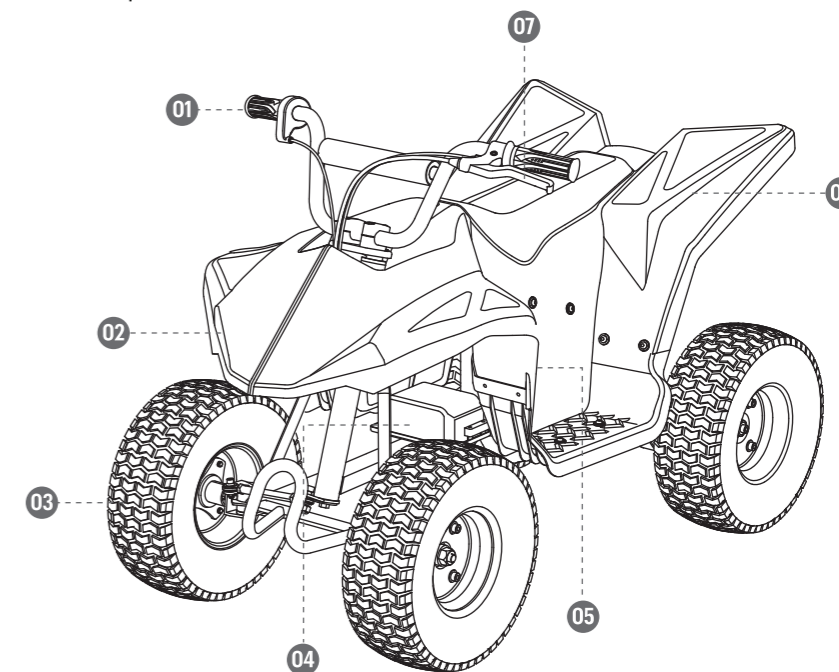




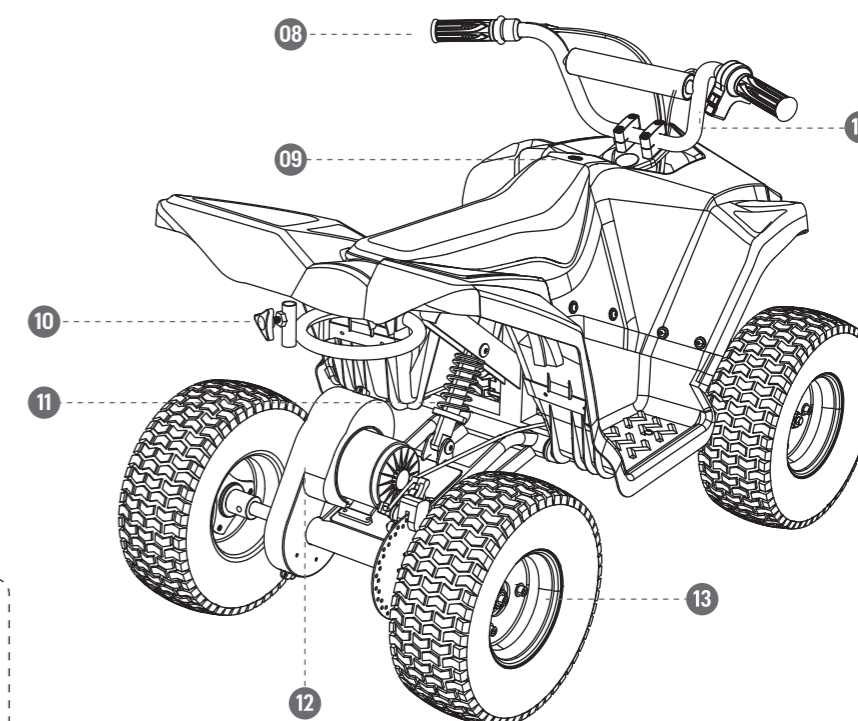
## KNOWING THE ATV

The product is for recreation only. It is not intended for transportation. In order to master riding skills, the rider needs to practice.

- 01 ACCELERATOR
- 02 LUMINOSITY SPOTLIGHT
- 03 FRONT WHEEL
- 04 BATTERY
- 05 CHARGING PORT (NOT SHOWN)
- 06 ATMOSPHERE LIGHT
- 07 BRAKE



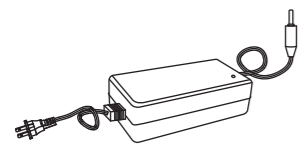
- 08 HANDLEBAR
- 09 POWER BUTTON/LED LIGHTS BUTTON
- 10 RACING FLAG SUPPORT PART
- 11 SUSPENSION
- 12 MOTOR
- 13 REAR WHEEL
- 14 GEAR



**NOTE:** Manual illustrations are for demonstration purposes only. Illustrations may reflect a different appearance than the actual product. Specifications are subject to change without notice.

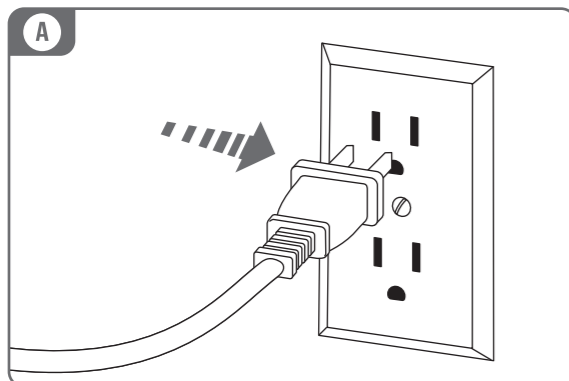
# CHARGE YOUR ATV

Your ATV may have a partially charged battery; therefore, you must charge the battery before use.

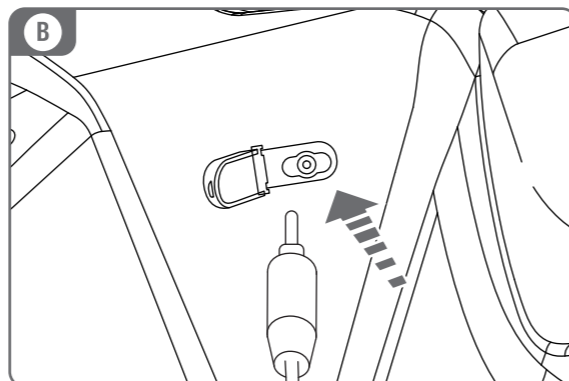


Make sure the power switch is in the OFF position.

**NOTE:** Battery and charger included - battery must be fully charged before use. Only use Hyper gogo battery and charger for this product.



Plug the charger plug into the wall outlet. The light on the charger should be green. Note: Try a different outlet if the green light (LED) does not turn on.



Charger port cover to one side and plug charger into charger port. The light on the charger should turn red during charging. The light will turn green again when charging is complete.

## WARNING

### CHARGER SAFETY WARNINGS:

- Before using the charger read all instructions and cautionary markings on the charger, battery pack, and the Hyper Quad product.
- Do not use this charger for any other products. It is intended for Hyper Quad 42V lithium-ion battery powered vehicles only.
- Do not operate the charger if it has been impacted, dropped, or damaged in any way. Examine the charger and battery before each use and replace them if wear or damage is found.
- The charger is designed to operate on standard household electrical power (100/240V). Do not attempt to use the charger on any other voltage level!
- Never modify the electrical system as this may result in a risk of electric shock, electrocution, or fire.
- To reduce risk of damage to the charger, pull from the plug rather than the cord when removing from an outlet.
- Make sure the cord is located so that it will not be stepped on, tripped over, or otherwise subjected to damage or stress.
- An extension cord should not be used unless absolutely necessary. Use of an improper extension cord could result in the risk of fire, electric shock, or electrocution.
- To prevent electric shock, do not immerse the charger or battery in water when cleaning. To clean, remove the charger/battery plug from the outlet and wipe with a dry cloth.

- Do not place any object on top of the charger or place the charger on a soft surface that may result in excessive heat. Place the charger away from any heat sources.
- When charging is complete, disconnect the charger from the wall outlet and the battery. Place the battery and charger in a place out of reach from children.
- Keep battery and charger in a dry place out of reach of children.
- Do not disassemble the charger or attempt to repair a damaged charger. If the charger is damaged contact Hyper Quad customer service.
- This power unit is intended to be correctly oriented in a vertical or floor mount position.

## WARNING

### BATTERY SAFETY WARNINGS:

- Read all instructions and cautionary markings on the charger, battery pack, and the Hyper Quad product before use.
- Only use the specified Hyper Quad 42V charger to charge this battery.
- Do not attempt to charge with any other charger. DO NOT store the battery in locations where the temperature is below 32°F (0°C) or above 122°F (50°C).
- Battery will not power vehicle in temperatures below -4°F (-20°C) or above 122°F (50°C).
- Do not charge the battery in temperatures below 14°F (-10°C) or above 122°F (50°C) as it will cause damage to the battery pack.
- Do not incinerate the battery pack. The battery can explode in a fire.
- Never attempt to open or disassemble the battery pack for any reason. If the plastic breaks or cracks, stop use and call Hyper Quad customer service.
- To prevent electric shock, do not immerse the charger or battery in water when cleaning. To clean, remove the charger/battery plug from the outlet and wipe with a dry cloth.
- The battery pack is not fully charged out of the carton. First read the safety instructions and then follow the charging proper procedures.
- During charging, the battery must be placed in a dry ventilated area.
- When charging is complete, disconnect the charger from the wall outlet.
- Keep battery and charger in a dry place out of reach of children.

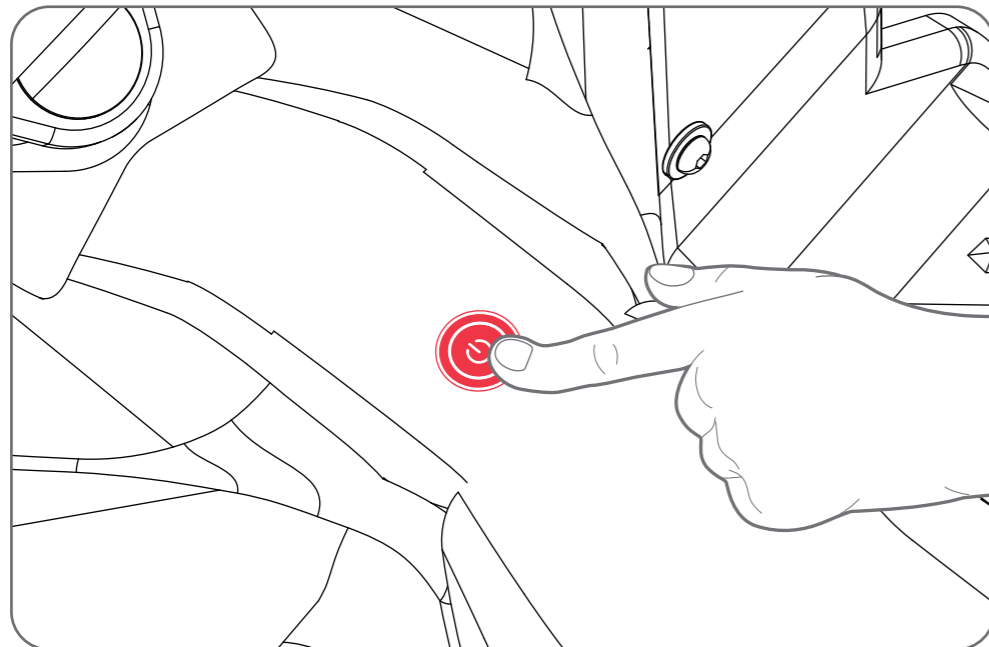
# USAGE

- Always wear proper protective equipment, such as an approved safety helmet (with chin strap securely buckled), elbow pads, and kneepads.
- A helmet may be legally required by local law or regulation in your area.
- Always wear shoes and keep shoelaces tied and out of the way of the wheels and motor. Never ride barefooted or in sandals.



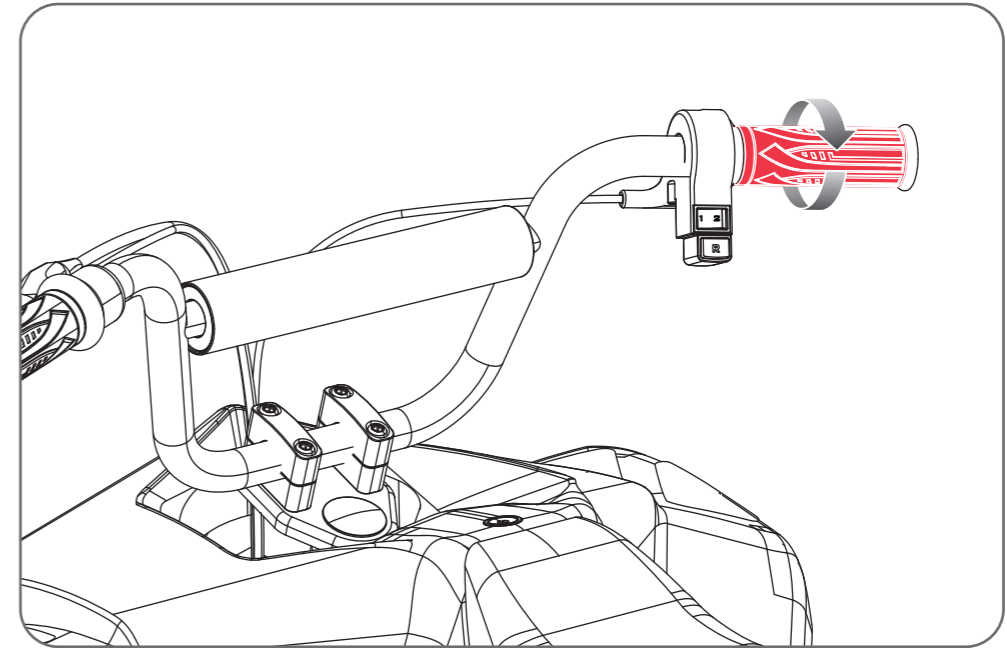
# SWITCH ON/OFF

- **Turn On:** Press the button for 3 seconds, there will be a ring after turn on.
- **Turn off:** Press the button for 3 seconds, after “Power off” rings, it turns off.



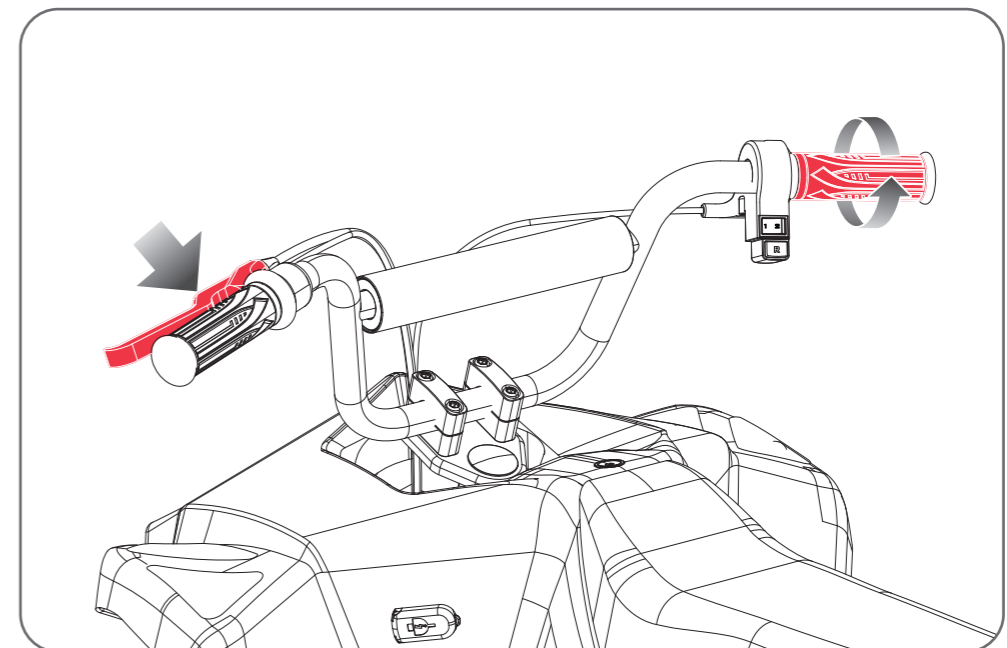
# STARTING THE ATV

To start Hyper Quad ATV, while seated on seat, turn on power switch; place both hands on handlebars and apply the throttle with right hand.



# STOPPING THE ATV

To stop unit, release the throttle and apply the brake until the four wheeler comes to a complete stop.



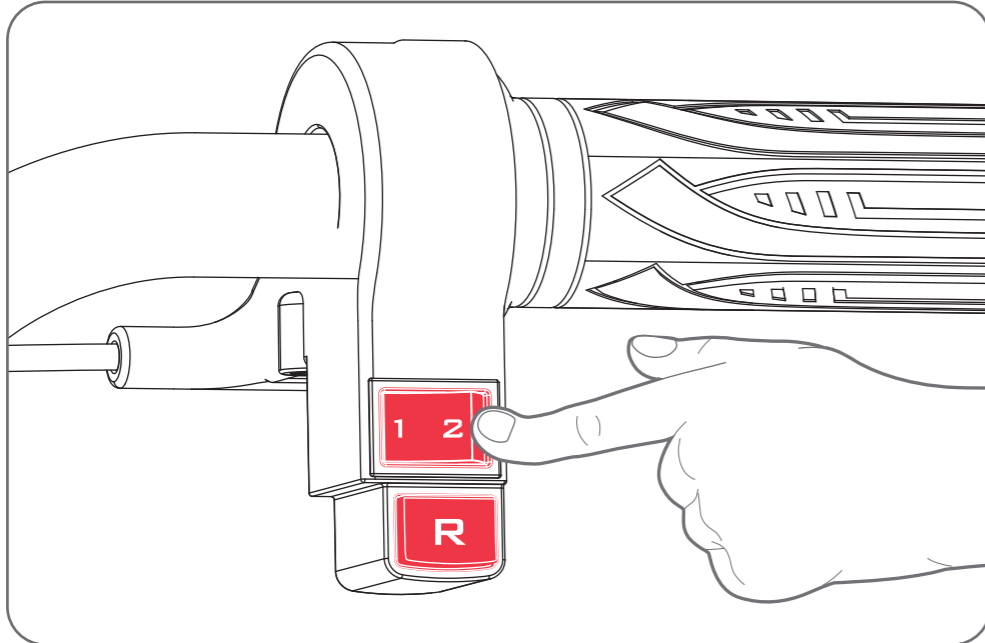


## SPEED SWITCH

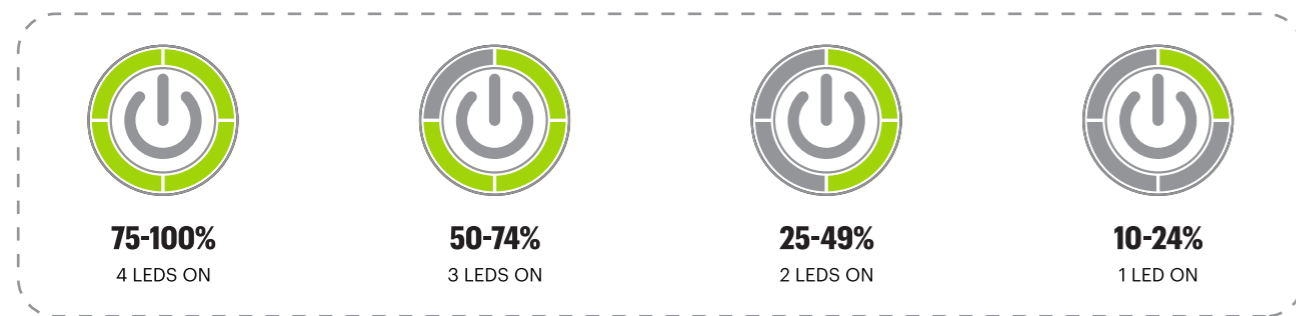
3 gears shift design, easily changing by pressing the gear shift button.

**Gear shift:** The speed can be changed by turning the handle.

- 1 Maximum 5 MPH (Forward)
- 2 Maximum 10 MPH (Forward)
- R Maximum 3.1 MPH (Reverse)



## INDICATOR LIGHTS



**NOTE:** Charging needed promptly when the one LED flashes.

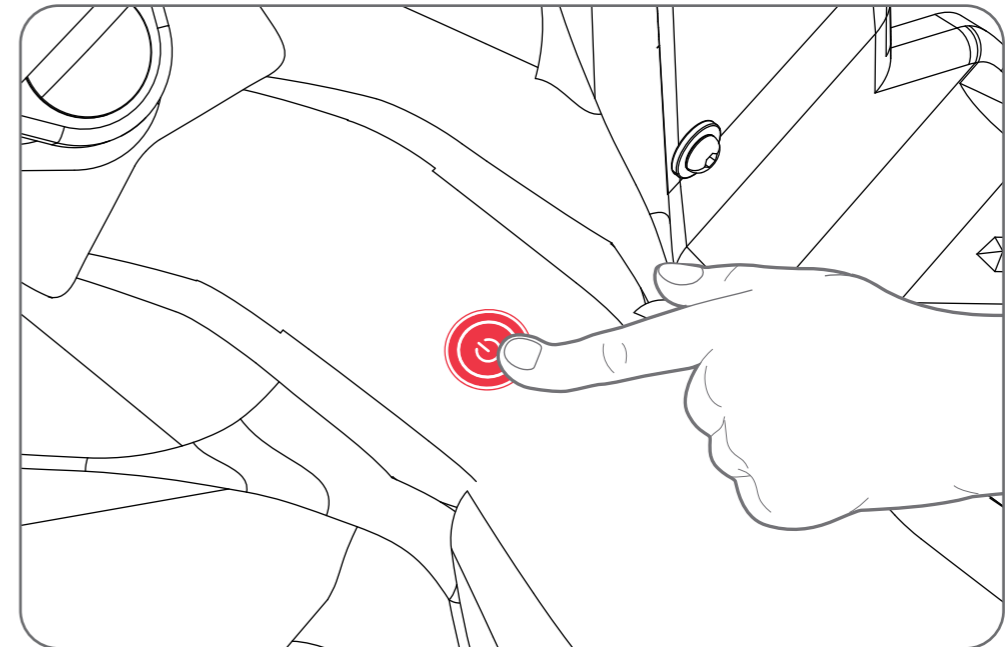
## LED LIGHTS

Light-up on the ATV design.

There are two kinds of lights on ATV: light-up on ATV & Luminosity spotlight.

When the ATV turns on, the lights will all be on.

- Changing the lights on the ATV by pressing the power on button.
- Press the button shortly for 1 time, the lights will be on or off.
- Press the button shortly 2 times, The lights modes will be changed between the 5 modes.



**Luminosity spotlight:** two white lights.

**Light-up on ATV:** atmosphere light, there are 5 kinds of different modes:

- Green lights.
- Purple lights.
- Red lights.
- Rainbow lights I: changing from 1 color to another color, totally 7 colors.
- Rainbow lights II: 7 colors all light and dark from time to time.

# MAIN BODY SPECIFICATIONS

<b>MAX. SPEED</b>	<b>16 KM/H, 10 MPH</b>
<b>MAX. RANGE</b>	<b>16 KM/10 MILES</b>
<b>MAX. LOAD</b>	<b>75 KGS/165 LBS</b>
<b>SPEED MODES</b>	<b>2 LEVELS(1, 2, )</b> MAXIMUM 5MPH ( 1 -FORWARD) MAXIMUM 10MPH ( 2 -FORWARD)
<b>BATTERY TYPE</b>	<b>LI-ION 18650 37V/5.2AH</b>
<b>MOTOR</b>	<b>36V 350W BRUSHED</b>
<b>OPERATING TEMPERATURE</b>	<b>-10 °C - 40 °C</b>
<b>CHARGE OUTPUT</b>	<b>DC 42V / 1.5A</b>
<b>CHARGE TIME</b>	<b>UP TO 5 HOURS</b>
<b>PRODUCT WEIGHT</b>	<b>38 KGS/83.7 LBS</b>
<b>PRODUCT DIMS</b>	<b>1180*634*765 MM/44"*24.5*30.1 INCH</b>
<b>TIRE SIZE</b>	<b>13 INCH</b>
<b>BLUETOOTH</b>	<b>SPEAKER&amp;APP</b>

# PAIRING YOUR BLUETOOTH DEVICE

- Ensure both the Bluetooth® function in your device and the ATV are turned on.
- Open the ATV APP on your device to connect wirelessly to the ATV.
- On your device, locate the Bluetooth® device list. Select “Hypergogo” from the list.

## APP

Play your Music/Customize LED Lights/3 Speed Modes

- Change the light modes via APP;
- Change the ATV working modes by APP.
- Can set any speed in the set-up working mode scope.
  - Kids mode: Max. 3.1 MPH
  - Normal mode: Max. 5 MPH
  - Sports mode: Max. 10 MPH



# MAINTENANCE & REPAIR

## WARNING

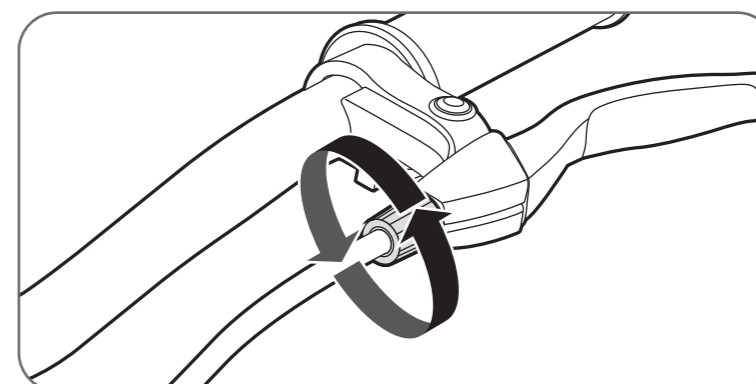
### MAINTENANCE INSTRUCTIONS:

- It is the responsibility of the adult who assembles this product to properly install all parts included in the carton. These instructions are valuable.
- Check nuts and bolts often and tighten if necessary.
- Any parts showing evidence of wear should be replaced immediately.
- Check all screws and their protective coverings regularly and tighten as required. Check plastic parts on a regular basis for cracks or broken pieces.
- During snowy or rainy weather, the vehicle should be stored inside.
- Do not operate the vehicle in wet or snowy conditions.
- Do not clean the vehicle by spraying with a hose. Water or moisture in the motors, battery, or electrical components can cause component failure.
- To clean the vehicle use a dry cloth. A non-wax furniture polish can be used to clean plastic parts. Do not spray the vehicle with a hose or submerge in water.
- Check tire pressure prior to riding. Air may slowly escape if the inner tube has been damaged or punctured, patch or replace the tube if pressure is routinely low prior to riding.
- Inspect tires for wear and tear periodically, the tire tread will wear over time during normal use. Replace the tire once the wear is excessive or impacts product performance.
- Before riding, check the frame and handlebars for cracks or broken connection points. Aggressive riding or crashing into objects may damage or destroy the frame or handlebars. Thoroughly inspect the frame, handlebars, and hardware after any incident and before every ride.

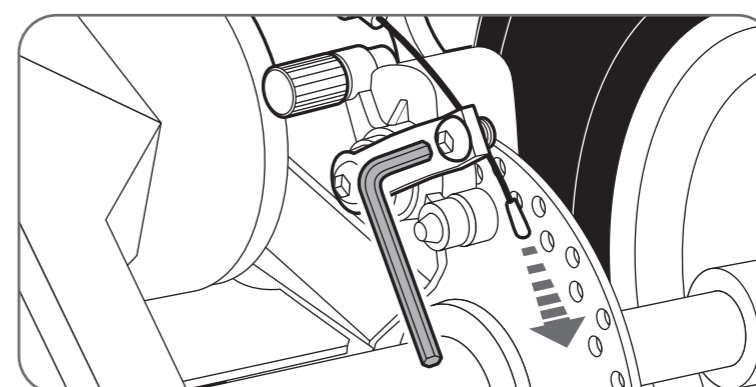
## SPECIAL ATTENTION INDICATORS

HEADLIGHT LED	ERROR / ACTION
0 FLASHES	Turn off suddenly during riding, low voltage, or overheat / Use the device after 30 minutes or charge it after 10 minutes to re-use it.
1 FLASHES	Defective PCB / Change PCB.
2 FLASHES	Defective Battery (1) Over charge / Disconnect the adapter and then turn on the device. (2) Other faults / Re-connect the battery or change the battery.
3 FLASHES	Stop working during riding suddenly, can not move, or can not move forward but can move backward. Something stops the motor or device / Check and remove the thing which stops the motor or device.
4 FLASHES	Throttle detected / Change throttle.
6 FLASHES	The motor stops working during riding / Use the device after 30 seconds.

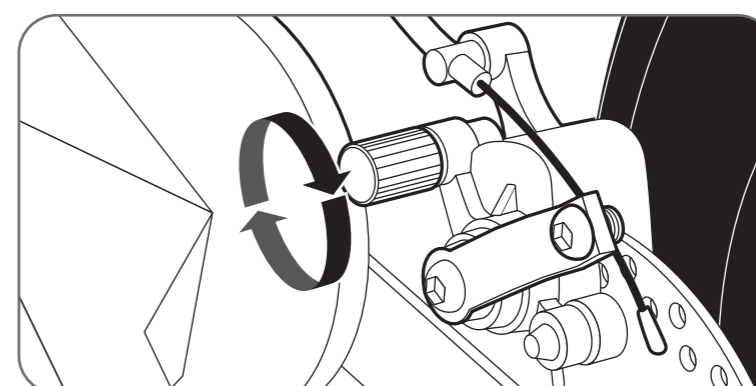
Twist the nut on the brake lever to change the braking force, if brake performance still isn't sufficient, proceed to the next step.



Locate the end of the brake line at the back of the product, it is retained by a clamp on the caliper assembly. Use a 5mm allen key to loosen the clamp and pull to remove any slack in the brake line, then retighten the fastener.



It is normal for the disc brake to lightly rub against the brake pads when the product is new, the noise should subside after some use. If the noise is persistent, twist the caliper adjuster to center the disc between the pads.



## TROUBLESHOOTING

Unit(s) should be turned off and fully charged prior to doing any Troubleshooting  
**NOTE:** All troubleshooting steps should be performed by an adult only.

PROBLEM	POSSIBLE CAUSE	SOLUTION
Vehicle does not run or suddenly stops	Undercharged battery	Charge the battery. Battery should be charged before first use. After every use, recharge the battery until the LED light on the adaptor turns from RED to GREEN. Never charge the battery longer than 12 hours.
	Undercharged battery	Ensure that the LED light on the charger is RED while charging. Contact Hyper Quad Customer Service if the LED light is not on.
	Tripped thermal fuse /switch	Thermal switch may have tripped because the vehicle was overloaded or the driving conditions were too severe. Once the switch/fuse has tripped, release the pedal and wait 30 seconds before operating the vehicle again. To avoid tripping the fuse, do not overload the vehicle by exceeding the 165 lbs (75 kgs) maximum weight capacity. Do not pull anything behind the vehicle or drive up hills as it will trip the fuse. Do not run into fixed objects, which can cause the wheels to stop spinning and ultimately trip the fuse.
	Loose wire/connector	Check all wires and connectors. Make sure that they are connected properly
	Old battery	Improper care and charging longer than 12 hours may lead to shorter battery life. Please contact Hyper Quad customer service for replacement parts.
	Defective motor	Call Hyper Quad Customer Service for additional support.
	Short run time (Less than 20 minutes)	Undercharged battery
Old battery		Improper care may lead to a shorter battery life. Please contact Hyper Quad customer service for replacement parts.
Vehicle is overloaded		Maximum weight capacity = 165 lbs (75 kgs). Overloading the vehicle will cause lower speeds.
Driving conditions are too severe		Driving on hard level ground is preferred. Driving on an incline will decrease the speed of the vehicle.

## TROUBLESHOOTING

Unit(s) should be turned off and fully charged prior to doing any Troubleshooting  
**NOTE:** All troubleshooting steps should be performed by an adult only.

PROBLEM	POSSIBLE CAUSE	SOLUTION
Vehicle is running slow	Vehicle is overloaded	Maximum weight capacity = 165 lbs (75.0 kgs). Overloading the vehicle will cause lower speeds.
	Driving conditions are too severe	Driving on hard level ground is preferred. Driving on an incline will decrease the speed of the vehicle.
	Undercharged battery	Charge the battery. Battery should be charged before first use. After every use, recharge the battery until the LED light turns from RED to GREEN. Never charge the battery longer than 12 hours.  Check battery connections during charging. Check all wires and connectors. Make sure that they are connected properly.
	Old battery	Improper care may lead to shorter battery life. Please contact Hyper Quad customer service for replacement parts.
	Tires are not properly inflated	The tires have been inflated before shipping, but they will inevitably lose some pressure between the manufacturing point and your purchase.
Vehicle won't run when the thumb throttle is pressed	Loose wire/connector	Check all wires and connectors. Make sure that they are connected properly.
	Defective motor	Call Hyper Quad Customer Service for additional support.
Product makes grinding noises or is abnormally loud while driving.	The chain, motor pinion, and sprocket do not have sufficient lubrication	Clean and lubricate the chain with a suitable cleaner and lubricant designed for motorcycle chains.
ATV not working suddenly during riding	Motor self-protection	When there is any stuff stop the ATV moving, the motor will start self-protection and stop working.  The ATV will back to working status automatically after 30 seconds if the ATV is not power off. Power on the ATV after 30 seconds, it will back to working status.
	Battery over-heat protection	The battery will start over-heat protection when the ATV is in an overweight riding situation or over-loading. Once the temperature is over 77 C, the ATV will stop working. You need to wait for at least 30 minutes when the temperature of the ATV is lower than 50 C, then you can use the ATV again.