

# marco



POURING PERFECTION

## Marco Beverage Systems Ltd.

INSTRUCTIONS FOR MODEL

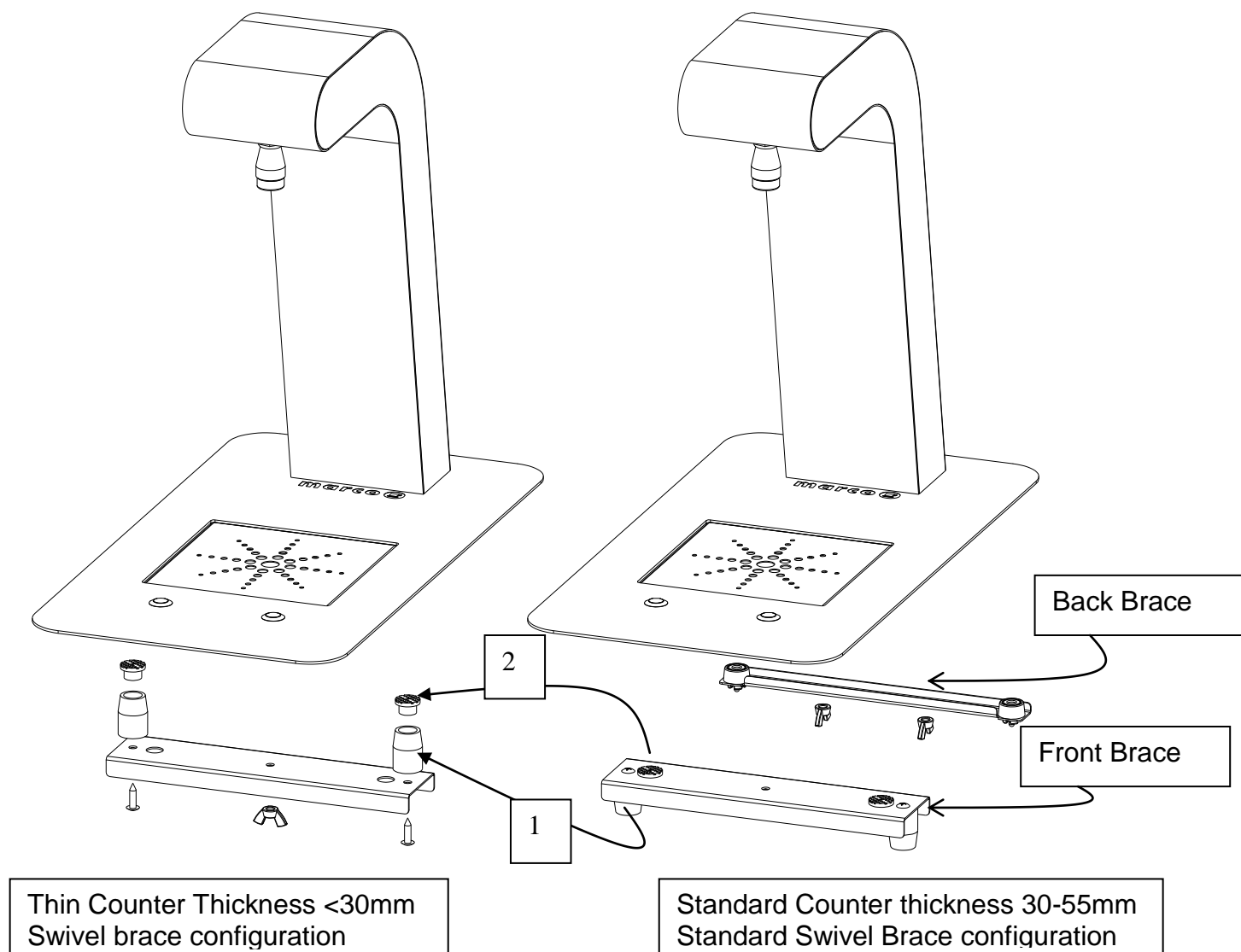
# Font Uber Style

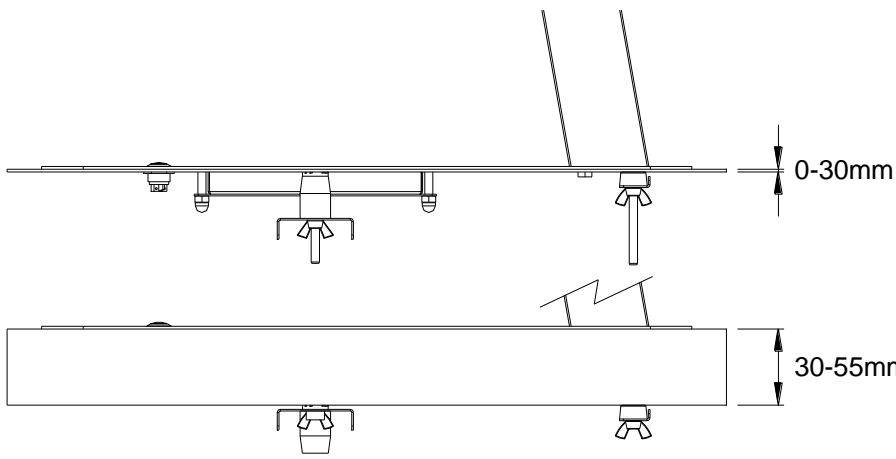
|   |  |
|---|--|
| <b>Marco Beverage Systems Limited.</b><br>63d Heather Road,<br>Sandyford Industrial Estate,<br>Dublin 18.   | <b>Marco Beverage Systems Limited.</b><br>Shire House, Strixton Manor,<br>Strixton, Wellingborough, Northants,<br>NN29 7PA |
| Ireland Tel: +353 (0)1 295 2674<br>Ireland Fax: +353 (0)1 295 3715<br>email: sales@marco.ie<br>www.marco.ie | UK Tel: +44 (0)2072 744 577<br>UK Fax: +44 (0)2079 788 141<br>email: sales@marco-bev.co.uk<br>www.marco-bev.co.uk          |

## INSTALLATION:

### MOUNTING:

- Cutout the counter using the dimensions on drawing provided.
- Remove the single wing nut and attach the Front Brace to the underside of the drip tray as shown so that when tightened in place it firmly clamps the Font to the counter top.
- Remove both wing nuts and attach the Back Brace in the position shown when the font is in the counter.
- The 2 standard braces can accommodate counter thicknesses up to 55mm. Where the counter thickness is less than 30mm the hard plastic legs on the Front Brace must be removed and reattached to the other side of the brace using a screwdriver. The rubber inserts in the brace should be removed and repositioned in the plastic legs as shown below.
- Ensure that the Front Brace folded edges are pointing away from the drip tray so as to avoid contact with the electrical wires.
- Ensure the Back Brace is positioned as shown so it does not interfere with the hosing & wires coming out of the font head.
- For added stability a bead of silicone sealant may be applied to the underside of the tile around the perimeter.



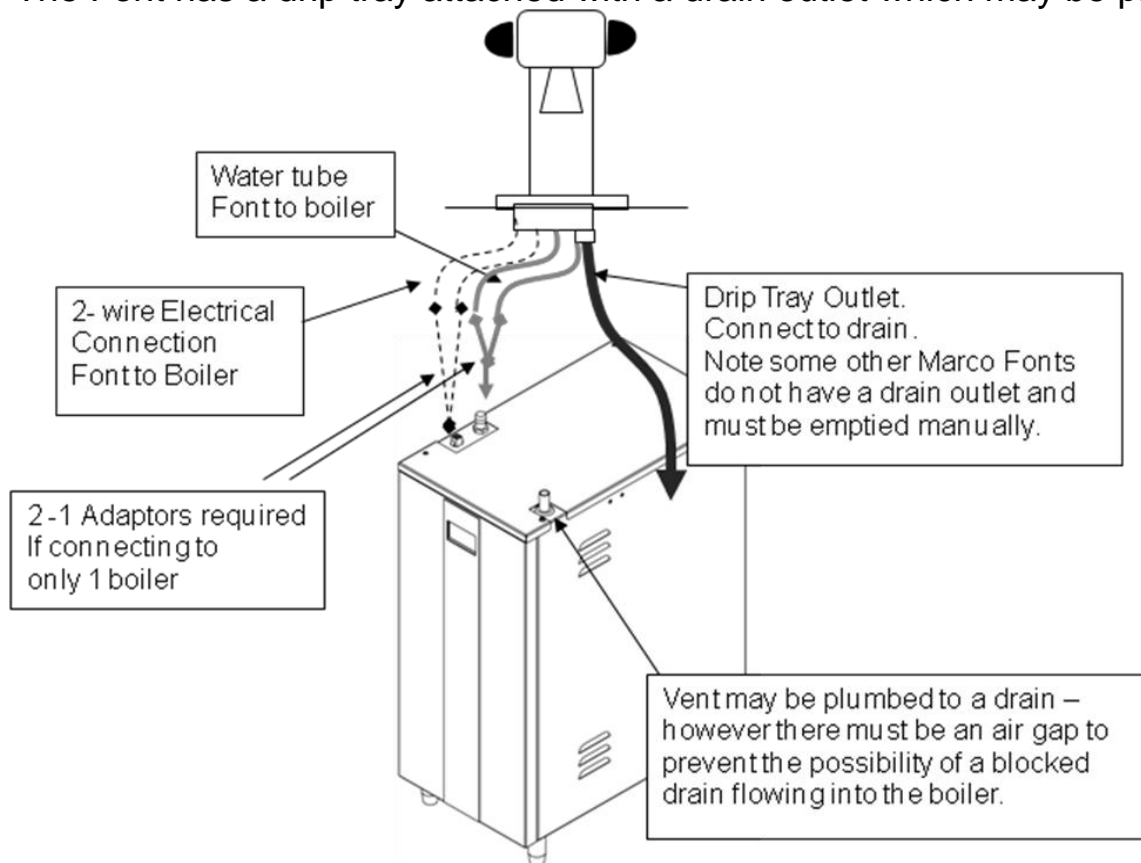


Thin Counter Brace arrangement < 30mm

Thick Counter swivel Brace Arrangement 30-55mm

**PLUMBING:**

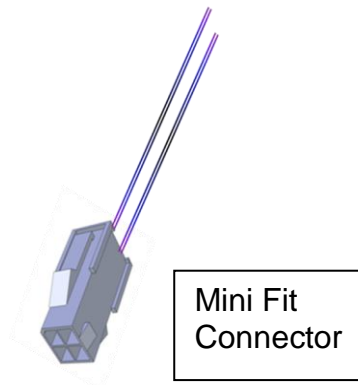
- The Font has a grey hose which can be attached to the boiler’s vent outlet (secured with the supplied F clip). This allows steam & condensate to be directed into the font driptray. This hose must have a constant rise with no sags or kinks which would allow an airlock to form in the line which would effect the boilers performance. The hose should be trimmed to size.
- The Font is supplied with 1 or 2 semi transparent Font water tubes so that it can be connected to 1 or 2 boilers. The Y piece can be removed if connecting to 2 machines. If connecting to 1 machine the Y piece should be used to direct water up both silicone tubes (see diagram below). Use a cable tie to secure the Y piece to the tank outlet. Hoses & insulation can be trimmed down to reduce heat loss, ensure there are no kinks in the tubes.
- If connecting to only 1 boiler unit then the 2-1 wiring adaptor kits must be used (see diagram below).
- The Font has a drip tray attached with a drain outlet which may be plumbed.



## **ELECTRICAL:**

- The wires from the font are terminated in a Mini Fit connector which will plug into a similar Mini Fit connector mounted on the top lid of the undercounter boiler. Applies to Boiler part numbers 1000740 – 1000755 including numbers containing suffixes.

Note: when connected to a Marco undercounter boiler the electrical connections are not polarity sensitive. If a non-Marco Font or Boiler is being used contact your representative to ensure that the electrical connections are appropriate.



## **USING THE FONT:**

The font is simply activated by pressing the switch on the unit. The font will either dispense a set amount of liquid after a single press, or, need to be pressed continuously to dispense the required amount of liquid.

The dispense functionality is determined by the electronics in the undercounter boiler and is not changeable at the font. When the 2-1 adaptor connectors are used – either button will operate the same dispense function.

## **CLEANING:**

The exterior of these fonts may be cleaned with a damp cloth and a light detergent. Do not use abrasive cloths or creams, as this will spoil the finish of the font. Do not use a water jet or spray. Beware of accidentally operating the font when cleaning the front of the machine.

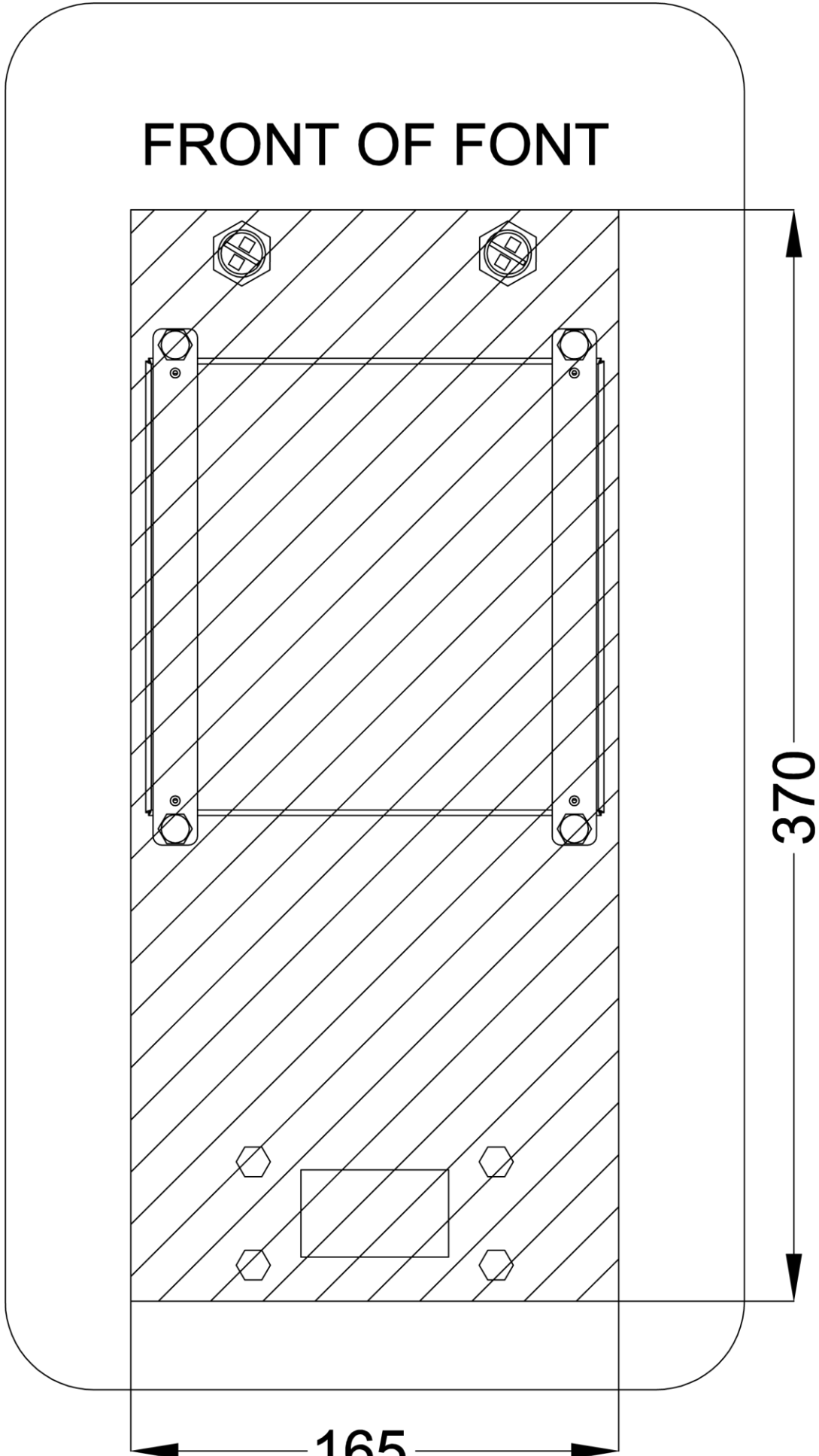
## **RISK OF SCALDING:**

Beware of accidentally operating the font –especially when cleaning the front of the boiler.

**The utmost care has been taken in the manufacture and testing of this unit. Failure to install, maintain and/or operate this font according to the manufacturer's instructions may result in conditions that can cause bodily injury or damage to property.** If in doubt about the serviceability of the font always contact the manufacturer or your own supplier for advice.

**DRILLING/CUTOUT TEMPLATE**

**FRONT OF FONT**



## CONNECTING 2 BOILERS:

The Font has a grey hose which can be attached to the 2 boiler vent outlets. An additional T-piece with 2 grey hoses is supplied to connect the 2 boilers to the main vent hose on the font (secured with the supplied F clips). This allows steam & condensate to be directed into the font drip tray. These hoses must have a constant rise with no sags or kinks which would allow an airlock to form in the line which would effect the boilers performance. The hoses should be trimmed to size to stop sags.

2 boilers can be connected to a single font which can be set to different temperatures and/or dispense times. The 2 buttons on the Font can be assigned to each boiler. Below is a typical connection set up for this arrangement. You have to remove the hose Y piece and electrical adaptor on the font tubing & wiring. The font hoses & wires are marked L & R where they exit the font and correspond to the left & right buttons as shown below.

